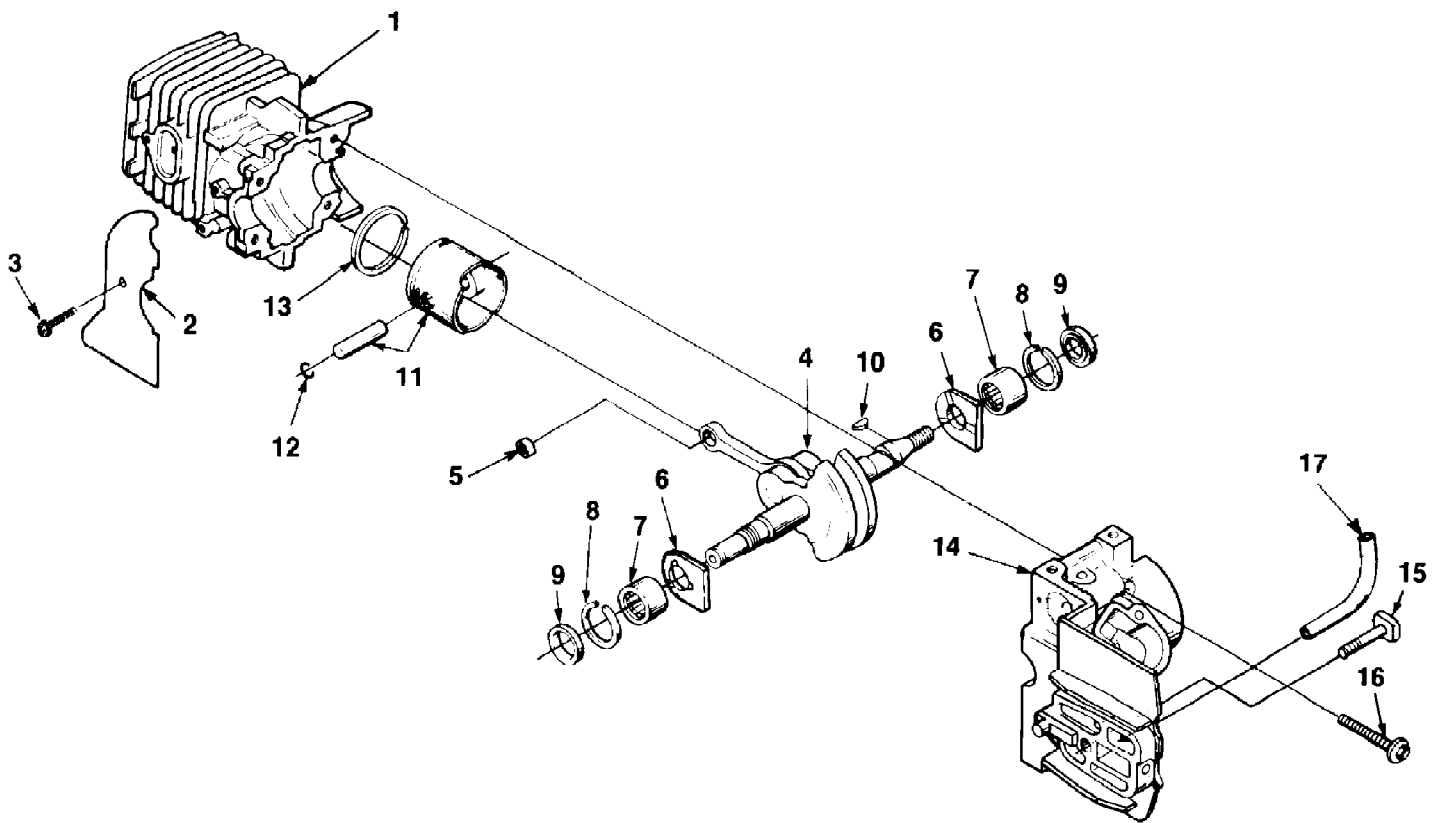


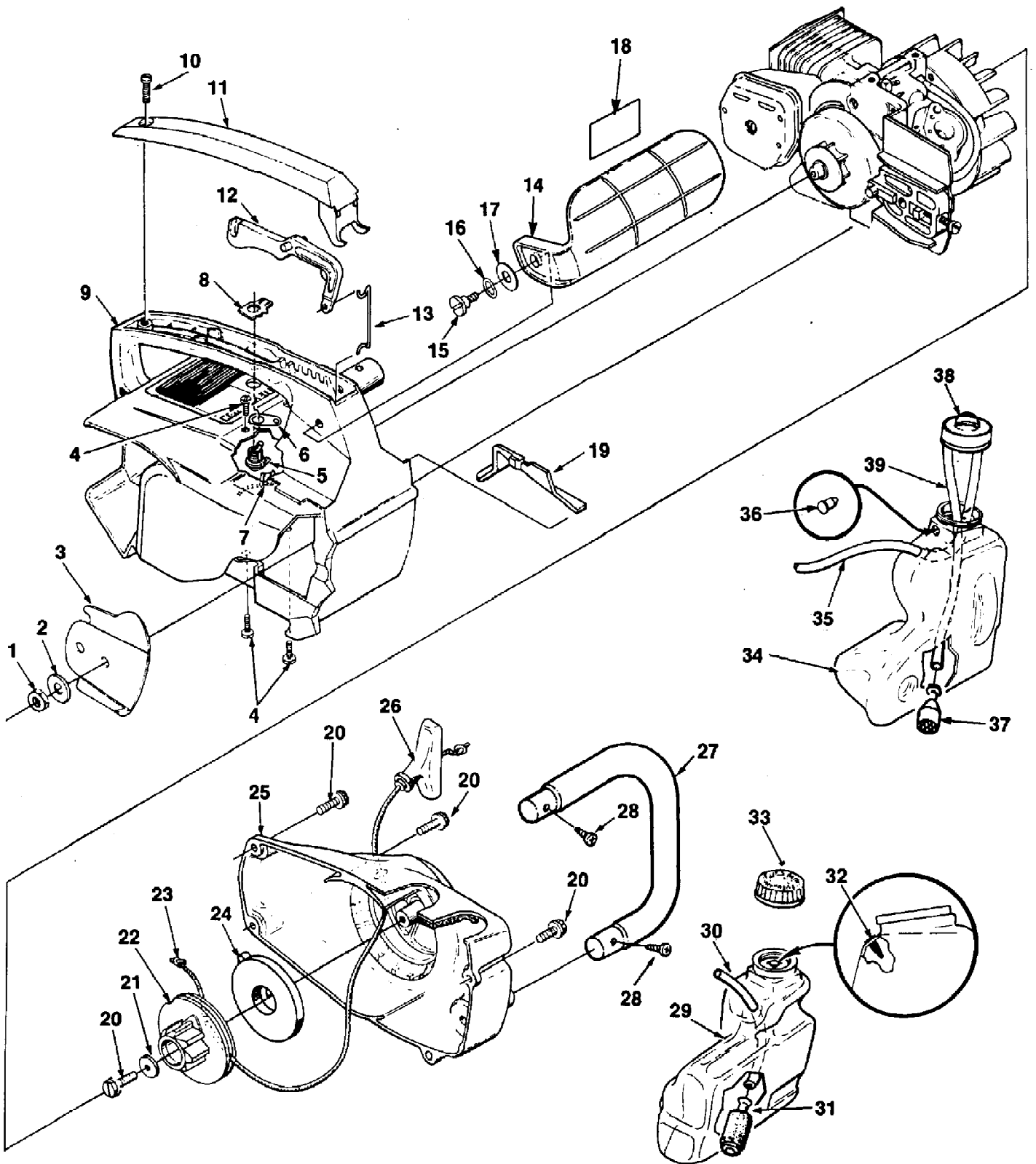
LX30 Bandit Chain Saw UT-10705
Engine Internals



LX30 Bandit Chain Saw UT-10705
Engine Internals

Page 2 of 8

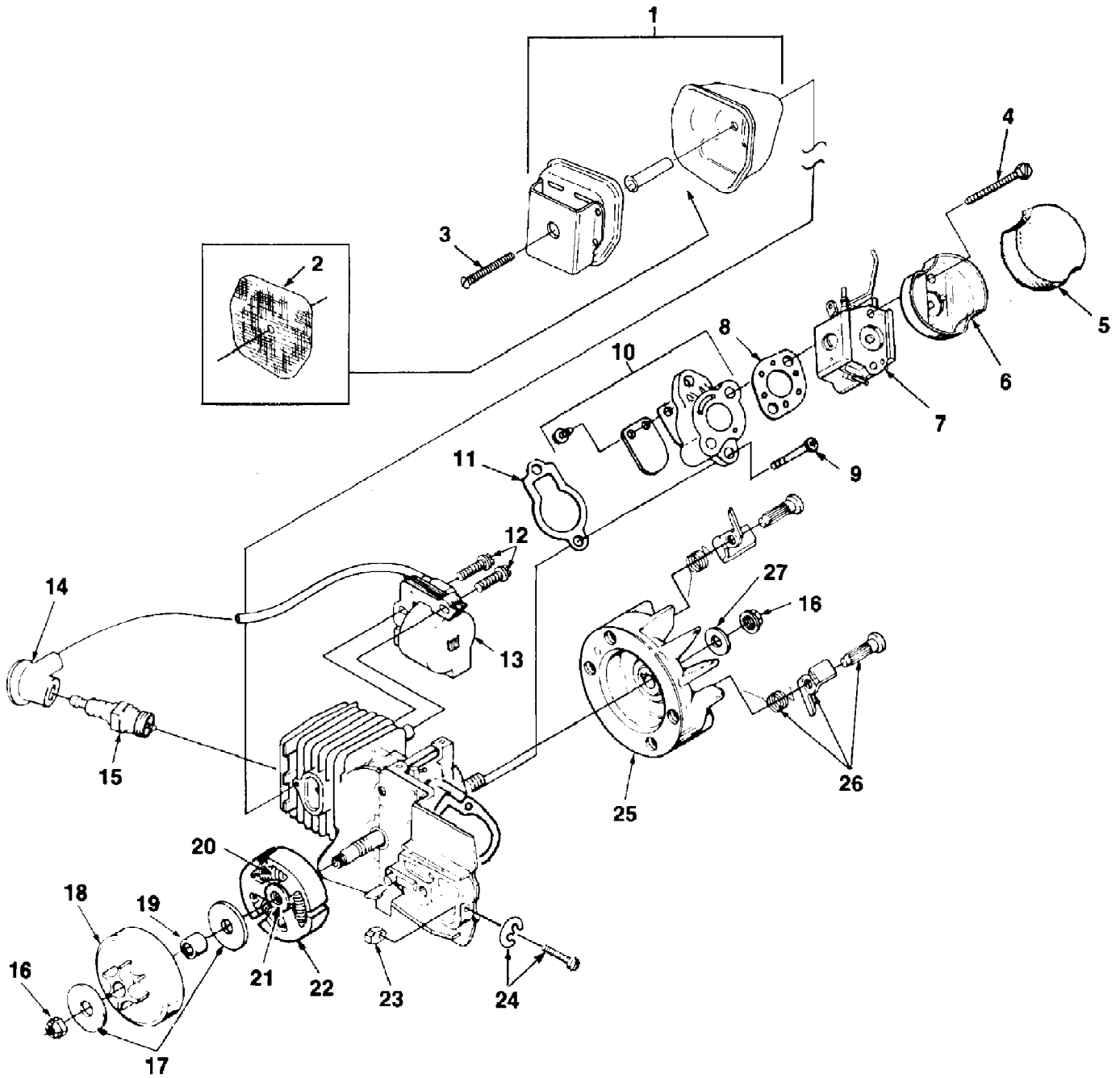
| Ref # | Part Number | Qty | S/P/F | Description |
|-------|-------------|-----|-------|---------------------------------|
| 1 | 024855 | 1 | /P | CYLINDER |
| 2 | 02639 | 1 | /P | SHIELD- Sawdust |
| 3 | 93932 | 1 | | SCREW- Tapping (#6-32 x 5/16") |
| 4 | A01574 | 1 | | CRANKSHAFT |
| 5 | 02035 | 1 | /P | BEARING |
| 6 | 02464 | 2 | | WASHER- Thrust |
| 7 | 12530 | 2 | | BEARING- Needle |
| 8 | 69407 | 2 | S | SPACER |
| 9 | 94638 | 2 | S | SEAL- Shaft |
| 10 | 69250 | 1 | /P | KEY- Woodruff |
| 11 | A98967A | 1 | S | PISTON ASSEMBLY |
| 12 | 98096 | 1 | | RING- Retaining |
| 13 | 93165 | 1 | | RING- Piston |
| 14 | A03060A | 1 | | CRANKCASE |
| 15 | 69195 | 1 | /P | BOLT- Guide bar |
| 16 | 82567 | 4 | | SCREW- Pan hd. (10-24 x 1 1/8") |
| 17 | 7031040 | 1 | | TUBING- Rubber (10") |



LX30 Bandit Chain Saw UT-10705
Housing & Handles

Page 4 of 8

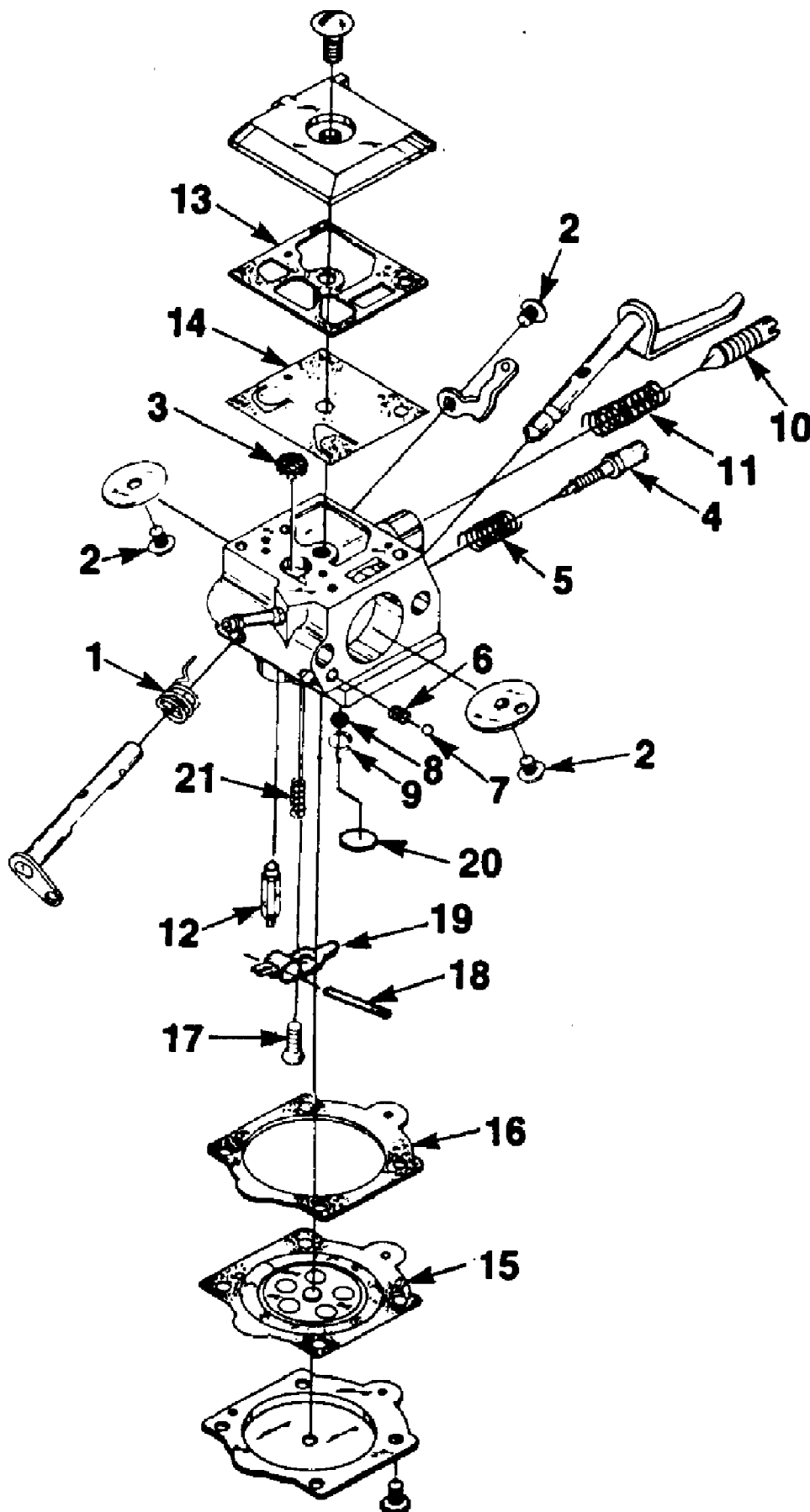
| Ref # | Part Number | Qty | S/P/F | Description |
|-------|-------------|-----|-------|----------------------------------|
| 1 | 810652 | 1 | S | NUT- Guide Bar |
| 2 | 69309A | 1 | /P | WASHER- Flat |
| 3 | 69360A | 1 | | PLATE- Guide Bar |
| 4 | 82538 | 4 | /P | SCREW- Pan hd. (10-24 x 3/4") |
| 5 | A63938 | 1 | S | SWITCH- Toggle |
| 6 | 96417 | 1 | | STRAP- Ground |
| 7 | A94721 | 1 | | GROUND LEAD |
| 8 | 70834 | 1 | /P | PLATE-"On-Off" |
| 9 | A01517 | 1 | | HOUSING- Engine |
| 10 | 82312 | 1 | /P | SCREW- Pan hd. (#10 x 5/8") |
| 11 | 69872A | 1 | | COVER- Handle |
| 12 | 69874C | 1 | S | TRIGGER |
| 13 | 69255C | 1 | /P | ROD- Throttle (UT-10705) |
| | 00138 | 1 | | ROD- Throttle (UT-10705-A) |
| 14 | A70796C | 1 | S | HAND GUARD |
| 15 | 95714 | 1 | S | SCREW- Shoulder (#10 x .560) |
| 16 | 95694 | 1 | | WASHER- Curved spring |
| 17 | 96102 | 1 | | WASHER- Flat |
| 18 | 02661 | 1 | | DECAL- Handguard |
| 19 | 69263 | 1 | | COVER- Air filter |
| 20 | 82563 | 5 | /P | SCREW- Thd. form (10-14 x 3/4") |
| 21 | 94062 | 1 | /P | WASHER- Retaining |
| 22 | 97768A | 1 | | PULLEY- Starter |
| 23 | 9789901 | 1 | /P | ROPE- Starter |
| 24 | A97908 | 1 | /P | SPRING- Rewind |
| 25 | A01573 | 1 | | HOUSING- Rewind Starter w/decals |
| 26 | 02264 | 1 | S | GRIP- Starter |
| 27 | 94508A | 1 | | HANDLE BAR |
| 28 | 94065 | 2 | | SCREW- Pan hd. (10-16 x 3/4") |
| 29 | A00174 | 1 | | FUEL TANK |
| 30 | 7031028 | 1 | S | TUBING- Rubber (7") |
| 31 | 49422 | 1 | S | FILTER- Fuel |
| 32 | 98819 | 1 | /P | VALVE- Duck bill |
| 33 | A97359A | 1 | S | FUEL CAP |
| 34 | A00173 | 1 | S | OIL TANK |
| 35 | 7031040 | 1 | | TUBING- Rubber (10") |
| 36 | 98819 | 1 | /P | VALVE- Duck bill |
| 37 | A68593 | 1 | | OIL FILTER |
| 38 | A00133 | 1 | | OILER & CAP |
| 39 | 7031028 | 1 | S | TUBING- Rubber (7") |



LX30 Bandit Chain Saw UT-10705
Peripheral Engine Parts

Page 6 of 8

| Ref # | Part Number | Qty | S/P/F | Description |
|-------|-------------|-----|-------|--|
| 1 | A94051C | 1 | S | MUFFLER- Complete |
| 2 | 93991A | 1 | S | SCREEN- Spark Arrestor |
| 3 | 93460 | 1 | /P | SCREW- Sems (10-24 x 17/8") |
| 4 | 82545 | 2 | | SCREW- Thd. Form (8-16 x 1 3/4") (UT-10705) |
| | 00167 | 2 | /P | SCREW- Plastite (#8 x 1.65) (UT-10705-A) |
| 5 | 69141 | 1 | S | FILTER- Air |
| 6 | 691482 | 1 | | CUP- Filter (UT-10705) |
| | 69148 | 1 | | CUP- Filter (UT-10705-A) |
| 7 | A00142 | 1 | | CARBURETOR- Walbro (UT-10705) |
| | A00233 | 1 | | CARBURETOR- Walbro (UT-10705-A) |
| 8 | 02488 | 1 | S | GASKET- Carburetor |
| 9 | 82539 | 2 | S/P | SCREW- (10-24 x 7/8") |
| 10 | A00140 | 1 | S | HEAT DAM & REED |
| 11 | 02453 | 1 | /P | GASKET- Heat dam |
| 12 | 82540 | 2 | /P | SCREW- Taptite (8-32 x 1") |
| 13 | 94711CS | 1 | /P | MODULE- Ignition |
| 14 | A33055 | 1 | /P | TERMINAL |
| 15 | 96169S | 1 | S | SPARK PLUG |
| 16 | 81229 | 2 | | NUT- (5/16-24) |
| 17 | 95299 | 2 | /P | WASHER- Thrust |
| 18 | A95653C | 1 | S | SPROCKET & DRUM |
| 19 | 68512 | 1 | S | BEARING |
| 20 | 98066 | 3 | | SPRING- Clutch |
| 21 | 79221 | 1 | /P | SPIDER- Clutch |
| 22 | 79222A | 3 | | SHOE- Clutch |
| 23 | 692542 | 1 | /P | PIN- Adjusting |
| 24 | A00440 | 1 | /P | SCREW & E RING KIT |
| 25 | A95007 | 1 | S | ROTOR & STARTER PAWLS |
| 26 | A70285E | 1 | /P | STARTER PAWL KIT |
| 27 | 84065 | 1 | S | WASHER (5/16") |



LX30 Bandit Chain Saw UT-10705
Walbro Carburetor

Page 8 of 8

| Ref # | Part Number | Qty | S/P/F | Description |
|-------|-------------|-----|-------|----------------------|
| 1 | A00964 | 1 | | Repair Kit |
| 2 | A00964 | 1 | | Repair Kit |
| 3 | A00964 | 1 | | Repair Kit |
| 4 | A00964 | 1 | | Repair Kit |
| 5 | A00964 | 1 | | Repair Kit |
| 6 | A00964 | 1 | | Repair Kit |
| 7 | A00964 | 1 | | Repair Kit |
| 8 | A00964 | 1 | | Repair Kit |
| 9 | A00964 | 1 | | Repair Kit |
| 10 | A00964 | 1 | | Repair Kit |
| 11 | A00964 | 1 | | Repair Kit |
| 12 | A00964 | 1 | | Repair Kit |
| 13 | A00964 | 1 | | Repair Kit |
| | 00513 | 1 | | Gasket/Diaphragm Kit |
| 14 | A00964 | 1 | | Repair Kit |
| | 00513 | 1 | | Gasket/Diaphragm Kit |
| 15 | A00964 | 1 | | Repair Kit |
| | 00513 | 1 | | Gasket/Diaphragm Kit |
| 16 | A00964 | 1 | | Repair Kit |
| | 00513 | 1 | | Gasket/Diaphragm Kit |
| 17 | A00964 | 1 | | Repair Kit |
| 18 | A00964 | 1 | | Repair Kit |
| 19 | A00964 | 1 | | Repair Kit |
| 20 | A00964 | 1 | | Repair Kit |
| 21 | A00964 | 1 | | Repair Kit |