

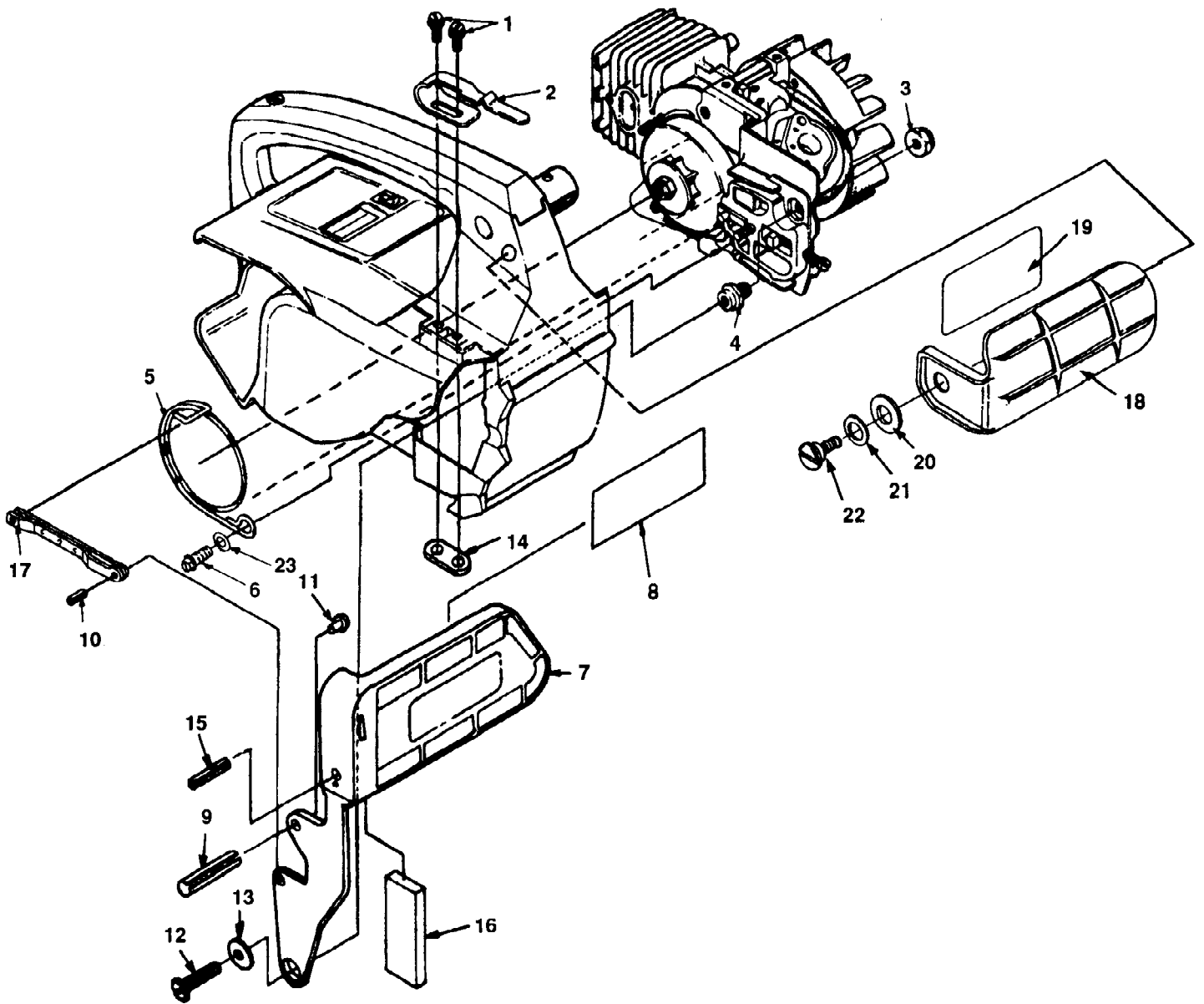
No  
Diagram  
Available  
  
Parts List  
Only

LITTLE RED Chain Saw UT-10748-C  
Accessories

Page 2 of 12

| Ref # | Part Number | Qty | S/P/F | Description                      |
|-------|-------------|-----|-------|----------------------------------|
|       | A70776B     | 1   | /P    | SAFE T TIP (Standard)            |
|       | 18453       | 1   | /P    | GREASE - Multi Purpose           |
|       | A70239E     | 1   |       | KIT - Repair (sprocket nose bar) |
|       | D24814B     | 1   |       | WRENCH (combination)             |
|       | PS24823     | 1   | /P    | SILASTIC (crankcase sealing)     |
|       | A24747A     | 1   |       | PULLER - Magneto Rotor           |
|       | HT10001O4   | 1   |       | GUIDE BAR                        |
|       | H1N7242AH   | 1   |       | (35-MD50-42) CHAIN               |
|       | HT12001O4   | 1   |       | GUIDE BAR                        |
|       | H1N7248BH   | 1   |       | (35-MD50-48) CHAIN               |
|       | PT12371O4   | 1   |       | GUIDE BAR                        |
|       | H1N7248BH   | 1   |       | (35-MD50-48) CHAIN               |
|       | PT14371O4   | 1   |       | GUIDE BAR                        |
|       | H1N7253AH   | 1   | S     | (35-MD50-53) CHAIN               |
|       | PT16371O4   | 1   |       | GUIDE BAR                        |
|       | H1N7259AH   | 1   | S     | (35-MD50-53) CHAIN               |
|       | PT18371O4   | 1   |       | GUIDE BAR                        |
|       | H1N7264AH   | 1   |       | (35-MD50-64) CHAIN               |
|       | JA313164    | 1   |       | IGNITION TEST SPARK PLUG         |
|       | 22486       | 1   |       | SHIM (0.015" AIR GAP)            |
|       | 2498201     | 1   |       | T25 TORX DRIVE BIT               |
|       | 1856601     | 1   | /P    | T27 TORX DRIVE BIT               |

LITTLE RED Chain Saw UT-10748-C  
Chain Brake

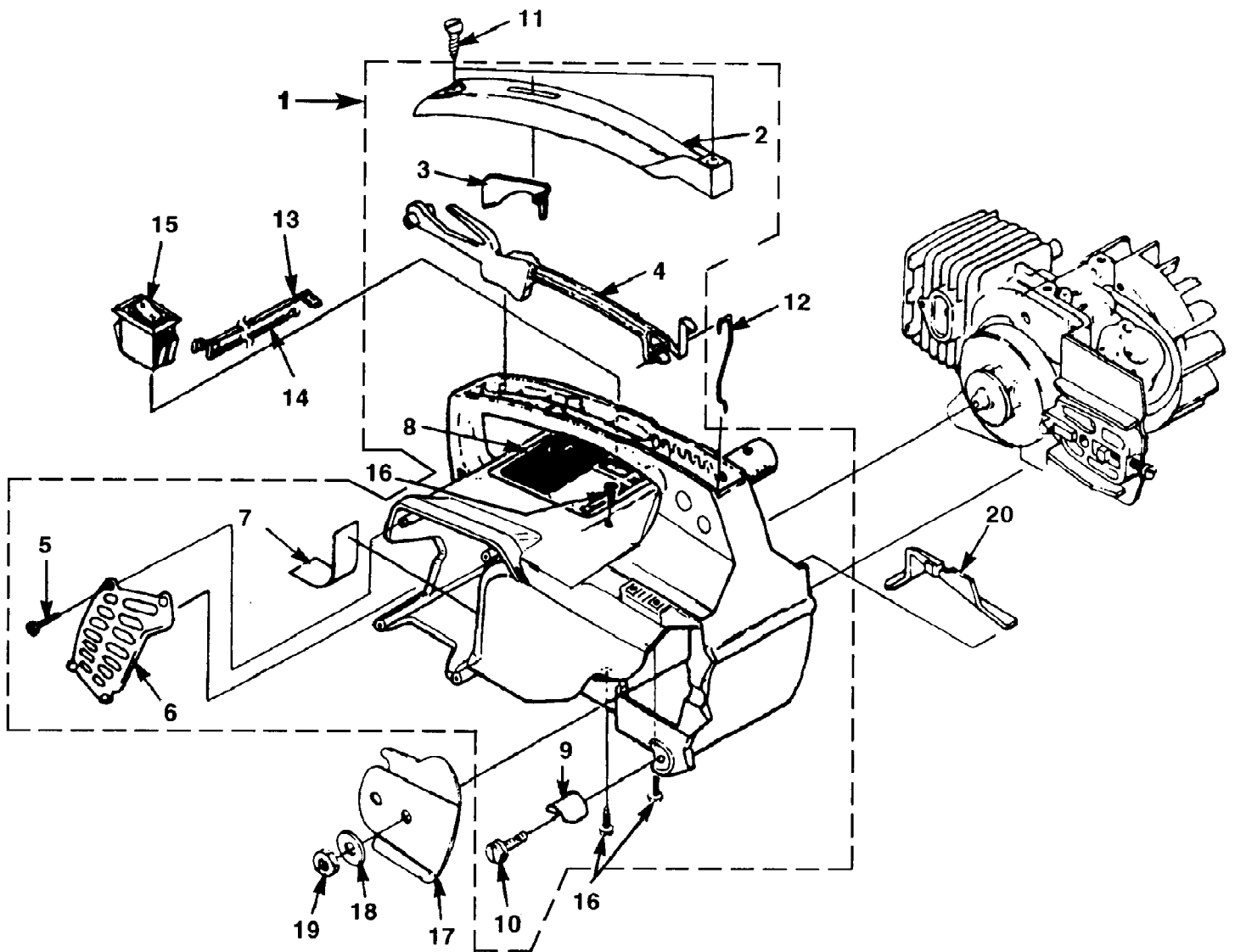


LITTLE RED Chain Saw UT-10748-C  
Chain Brake

Page 4 of 12

| Ref # | Part Number | Qty | S/P/F | Description                             |
|-------|-------------|-----|-------|---|
| 1     | 88043       | 2   | /P    | SCREW - Hex Hd. w/Washer (8-32 X 1/2")  |
| 2     | 02635       | 1   |       | CLIP - Retaining                        |
| 3     | 81124A      | 1   | /P    | NUT - Hex, Jam                          |
| 4     | 70636       | 1   |       | POST - Chain Brake                      |
| 5     | 70637C      | 1   | S     | BAND - Brake                            |
| 6     | 82538       | 1   | /P    | SCREW - Thread Form (10-24 x 3/4")      |
| 7     | A03061A     | 1   |       | HANDGUARD & LEVER (200, Super 2 SL)     |
| 8     | 02661       | 1   |       | DECAL - Safety                          |
| 9     | JA461383    | 1   |       | PIN - Roll (3/16 X 1")                  |
| 10    | 95395A      | 1   | /P    | PIN - Roll                              |
| 11    | 82367       | 1   | /P    | SCREW - Drive                           |
| 12    | 82166       | 1   |       | SCREW - Machine, Pan Hd. (10-32 X 1/2") |
| 13    | 70632       | 1   | /P    | WASHER - Flat                           |
| 14    | 02637       | 1   |       | NUT - Weld                              |
| 15    | JA461361    | 1   |       | PIN - Roll                              |
| 16    | 07567       | 1   |       | WEIGHT - Handle (International Only)    |
| 17    | A70767      | 1   |       | PIVOT - Link                            |
| 18    | A70796C     | 1   | S     | HANDGUARD KIT (Super 2, XL, 180 & 192 ) |
| 19    | 02661       | 1   |       | DECAL - Handguard                       |
| 20    | 95694       | 1   |       | WASHER - Curve Spring                   |
| 21    | 96102       | 1   |       | WASHER Flat                             |
| 22    | 95714       | 1   | S     | SCREW - Shoulder                        |
| 23    | 84008       | 1   | S/P   | WASHER - Flat (#10)                     |

LITTLE RED Chain Saw UT-10748-C  
Engine Housing

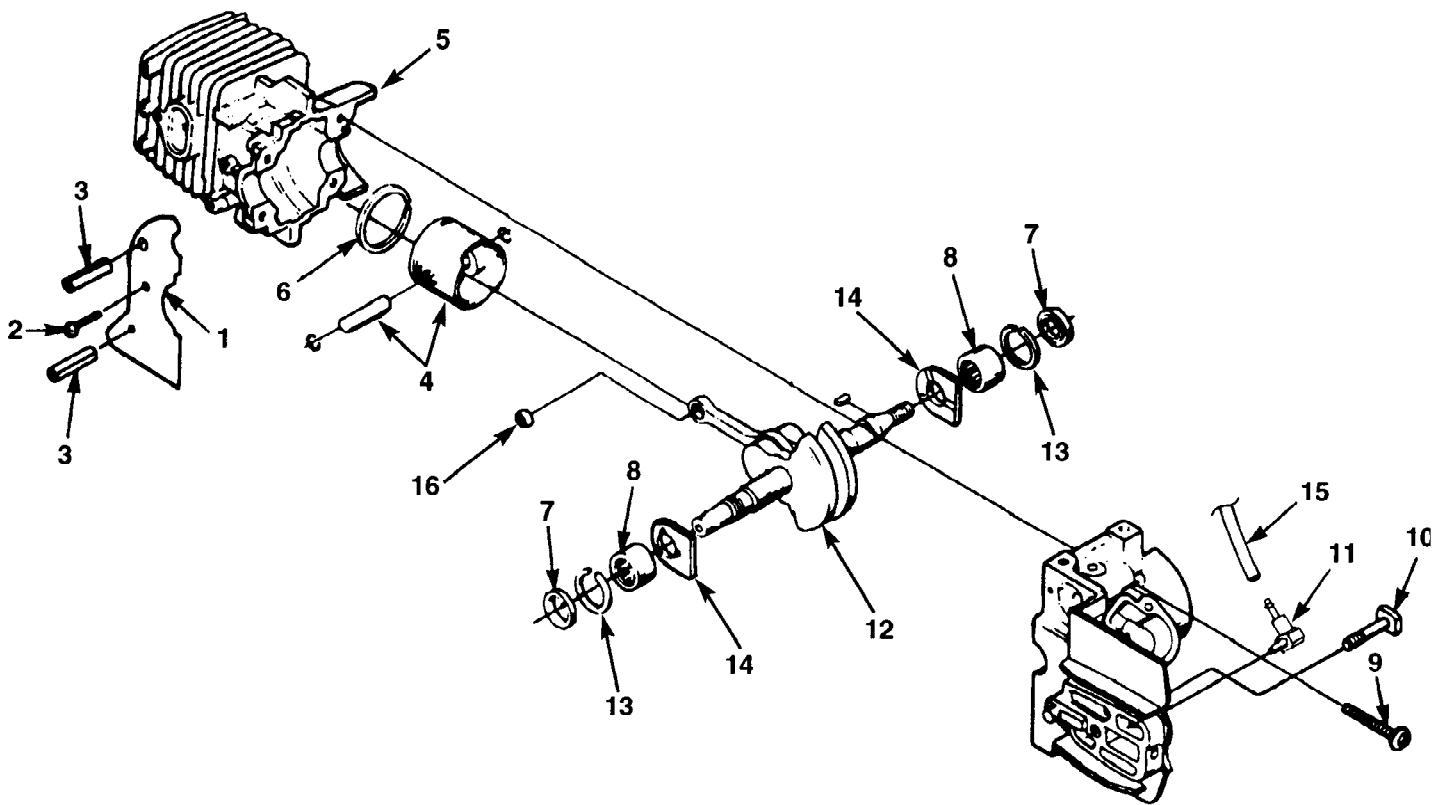


LITTLE RED Chain Saw UT-10748-C  
Engine Housing

Page 6 of 12

| Ref # | Part Number | Qty | S/P/F | Description  |
|-------|-------------|-----|-------|--|
| 1     | A07553      | 1   |       | ENGINE HOUSING KIT   |
| 2     | 02495       | 1   |       | COVER - Handle   |
| 3     | 02493       | 1   |       | LOCK - Trigger   |
| 4     | 02492A      | 1   |       | TRIGGER  |
| 5     | 82528       | 4   | /P    | SCREW - Pan, plastite (#6 X 3/8") (Torque Specs: 8-12 in/lbs, .9-1.4 Nm)       |
| 6     | 02765       | 1   |       | SHIELD - Muffler   |
| 7     | 95615       | 2   | S/P   | TAPE   |
| 8     | 02506       | 1   |       | DECAL - Warning  |
| 9     | 95212       | 1   | /P    | STOP - Chain   |
| 10    | 82563       | 1   | /P    | SCREW - Torx, plastite (#10 X 3/4") (Torque Specs: 30-50 in/lbs, 3.4-5.8 Nm)   |
| 11    | 94065       | 2   |       | SCREW - Pan, plastite (#10-16 X 3/4") (Torque Specs: 15-20 in/lbs, 1.7-2.3 Nm) |
| 12    | 02501       | 1   | /P    | ROD - Throttle   |
| 13    | A02482      | 1   | S     | LEAD - w/Flag Term.  |
| 14    | A02484      | 1   |       | LEAD - w/Ring Term.  |
| 15    | 02497       | 1   | S/P   | SWITCH   |
| 16    | 82538       | 4   | /P    | SCREW - Torx, taptite (10-24 X 3/4") (Torque Specs: 55-65 in/lbs, 6.3-7.5 Nm)  |
| 17    | 04440       | 1   |       | PLATE - Guide Bar  |
| 18    | 69309A      | 1   | /P    | WASHER - Flat  |
| 19    | 810652      | 1   | S     | NUT - Hex  |
| 20    | 02481A      | 1   |       | COVER - AIR Filter   |

LITTLE RED Chain Saw UT-10748-C  
Engine Internal (192, Super 2, 200, Super 2 SL)



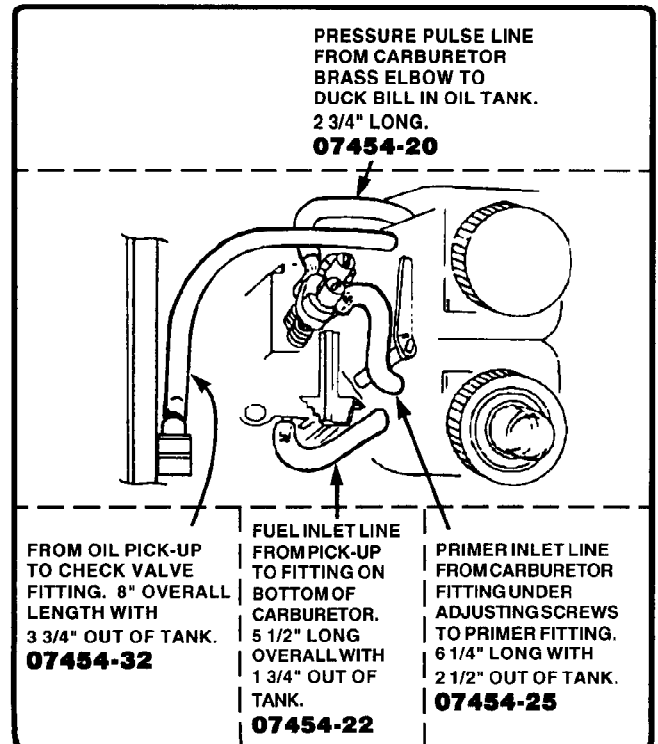
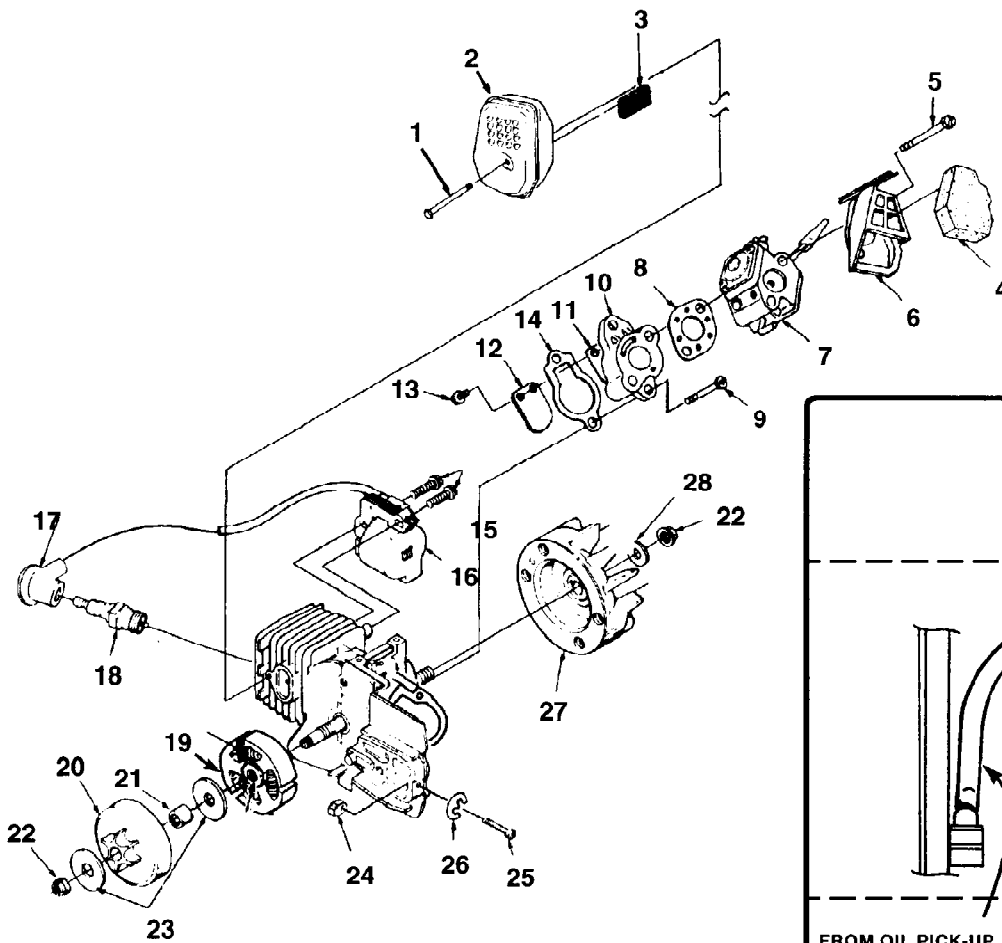
LITTLE RED Chain Saw UT-10748-C  
Engine Internal (192, Super 2, 200, Super 2 SL)

Page 8 of 12

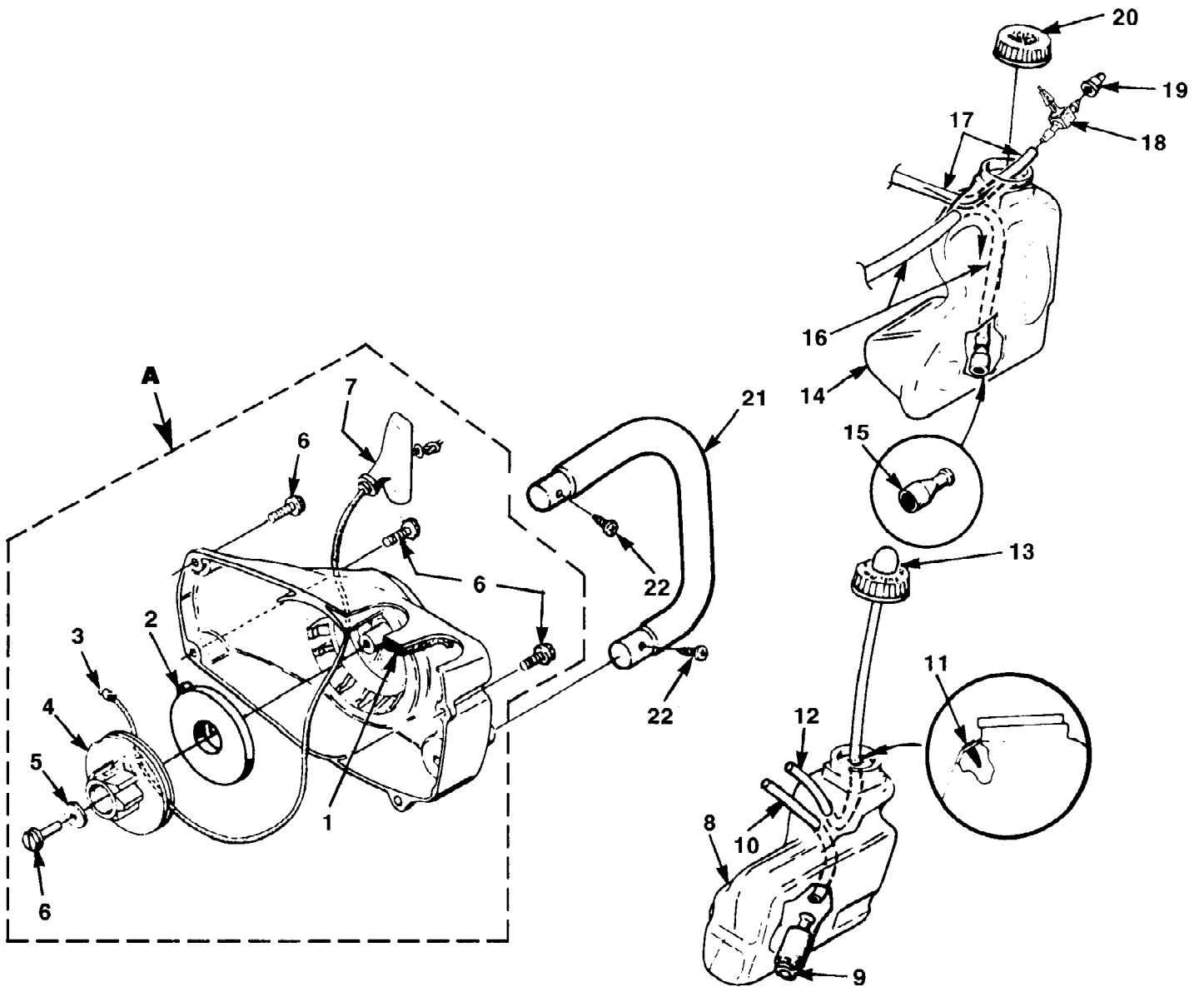
| Ref # | Part Number | Qty | S/P/F | Description   |
|-------|-------------|-----|-------|---|
| 1     | 02639       | 1   | /P    | SAW DUST SHIELD   |
| 2     |             | 1   |       | SCREW - Tapping (#6-32 x 5/16") (Not used on this model.)                         |
| 3     |             | 1   |       | PIN - Roll (5/32 x 1 1/8") (Not used on this model.)                              |
|       | A01105A     | 1   | /P    | SHORT BLOCK (192, Super 2, 200, Super 2 SL)                                       |
|       | UP00070     | 1   | S     | SHORT BLOCK (192, Super 2, 200, Super 2 SL) (After S/N HR0010001)                 |
| 4     | A98967A     | 1   | S     | PISTON & PIN ASSY.  |
| 5     | 04328A      | 1   | S     | CYLINDER  |
|       | UP00071     | 1   | S     | CYLINDER (After S/N HR0010001)  |
| 6     | 93165       | 1   |       | RING - Piston   |
| 7     | 07025       | 2   | S     | SEAL - Shaft  |
| 8     | 12530       | 2   |       | BEARING - Needle  |
| 9     | 82567       | 4   |       | SCREW - Torx Pan Hd. (10-24 x 1 1/8")<br>(Torque Specs: 65-75 in/lbs, 7.5-8.6 Nm) |
| 10    | 69195       | 1   | /P    | BOLT - Guide Bar  |
| 11    | 07510       | 1   |       | VALVE - Check   |
| 12    | A97611A     | 1   | S     | CRANKSHAFT - Rod and Bearing  |
| 13    | 07025       | 2   | S     | SEAL z - Shaft  |
| 14    | 03962       | 2   |       | WASHER - Thrust   |
| 15    | 0745432     | 1   |       | TUBING - Rubber (Oil Line) (8")   |
|       | 0745499     | 1   | /P    | TUBING - Rubber (Oil Line) (10')  |
| 16    | 02035       | 1   | /P    | BEARING - Wrist Pin   |



LITTLE RED Chain Saw UT-10748-C  
Ignition, Rotor, Carburetor & Clutch



| Ref #   | Part Number | Qty | S/P/F | Description   |
|---------|-------------|-----|-------|---|
| 1       | 93460       | 1   | /P    | SCREW - Machine Hex Sems (#8-32 X 3/4")<br>(Torque Specs: 50-60 in/lbs, 5.7-6.9 Nm) |
| 2       | A02459      | 1   |       | MUFFLER   |
| 3       | 02458       | 1   |       | SCREEN - Spark Arrestor   |
| 4       | 02500       | 1   | S     | FILTER - Air  |
| 5       | 00167       | 2   | /P    | SCREW - Thread Forming (Torque Specs:<br>35-45 in/lbs, 4.0-5.2 Nm)                  |
| 6       | 02491A      | 1   |       | BOX - Air Filter  |
| 7       | A01373B     | 1   | /P    | CARBURETOR (Zama)   |
| 8       | 02488       | 1   | S     | GASKET - Carburetor   |
| 9       | 82589       | 2   | /P    | SCREW - Plastite, (10-14 X 1") (Torque<br>Specs: 65-75 in/lbs, 7.5-8.6 Nm)          |
| 10      | A02499      | 1   |       | HEAT DAM  |
| 11      | 95983       | 1   | S     | REED  |
| 12      | 03205       | 1   |       | STOP - Reed   |
| 13      | 82498       | 2   | /P    | SCREW - Hex Taptite (4-40 X 3/8") (Torque<br>Specs: 10-15 in/lbs, 1.1-1.7 Nm)       |
| 14      | 02453       | 1   | /P    | GASKET - Intake Manifold  |
| 15      | 82540       | 2   | /P    | SCREW - Thread Forming (8-32 X 1")<br>(Torque Specs: 30-40 in/lbs, 3.5-4.6 Nm)      |
| 16      | 94711CS     | 1   | /P    | MODULE - Ignition   |
| 17      | A33055      | 1   | /P    | TERMINAL  |
| 18      | 96169S      | 1   | S     | SPARK PLUG (Champion DJ7Y) (Torque<br>Specs: 120-180 in/lbs, 13.8-20.7 Nm)          |
|         | 79252       | 1   | S     | SPARK PLUG (Champion RDJ7Y) (Torque<br>Specs: 120-180 in/lbs, 13.8-20.7 Nm)         |
| 19      | A97921A     | 3   | /P    | CLUTCH KIT  |
| 20      | A95653E     | 1   | /P    | SPROCKET & DRUM   |
| 21      | 70277       | 1   | S     | BEARING   |
| 22      | 81229A      | 2   | /P    | NUT - Rotor (5/16-24) (Torque Specs:<br>100-150 in/lbs, 11.5-17.3 Nm)               |
| 23      | 95299       | 2   | /P    | WASHER - Thrust   |
| 24      | 692542      | 1   | /P    | PIN - Adjusting   |
| 25      | A00440      | 1   | /P    | SCREW & E-RING KIT  |
| 26      | 93574       | 1   | S     | E-RING  |
| 27      | A04158S     | 1   | S     | ROTOR & STARTER PAWL  |
| 28      | 84065       | 1   | S     | WASHER - 5/16"  |
| 0745432 | 0745432     | 1   |       | LINE - (8")   |
| 0745420 | 0745420     | 1   |       | PRESSURE PULSE LINE   |
| 0745425 | 0745425     | 1   |       | PRIMER INLET LINE   |
| 0745422 | 0745422     | 1   | /P    | FUEL INLET LINE   |



LITTLE RED Chain Saw UT-10748-C  
Starter & Fuel Tank

Page 12 of 12

| Ref # | Part Number | Qty | S/P/F | Description  |
|-------|-------------|-----|-------|--|
| A     | A06268A     | 1   | /P    | STARTER ASSY., Complete  |
| 1     | 69443       | 1   |       | FILTER   |
| 2     | A97908      | 1   | /P    | SPRING & CONTAINER   |
| 3     | 9789901     | 1   | /P    | ROPE - Starter (46")   |
|       | 98052A      | 1   | /P    | ROPE - Starter (250 Ft. Reel)  |
| 4     | 97768B      | 1   | S     | PULLEY - Starter   |
| 5     | 94062       | 1   | /P    | WASHER - Retaining   |
| 6     | 82563       | 5   | /P    | SCREW - Torx (#10 X 3/4") (Torque Specs:<br>30-50 in/lbs, 3.4-5.8 Nm)            |
| 7     | 02264       | 1   | S     | GRIP - Starter   |
| 8     | A06272      | 1   |       | FUEL TANK  |
| 9     | 49422       | 1   | S     | FILTER - Fuel  |
| 10    | 0745422     | 1   | /P    | LINE - Fuel (5 1/2")   |
| 11    | 98819       | 1   | /P    | VALVE - Duck Bill  |
| 12    | 0745425     | 1   |       | TUBING - Return (6 1/4")   |
|       | 0745499     | 1   | /P    | TUBING - Rubber (10 Ft. Length)  |
| 13    | A01372A     | 1   | /P    | PRIMER & CAP   |
| 14    | A07554      | 1   | /P    | OIL TANK   |
| 15    | A68593      | 1   |       | FINDER - Oil   |
| 16    | 0745432     | 1   |       | TUBING - Rubber (8")   |
| 17    | 0745420     | 1   |       | TUBING - Rubber (5")   |
| 18    | A07508      | 1   |       | FITTING - Vent   |
| 19    | 96841       | 1   | S     | VALVE - Check  |
| 20    | A97359A     | 1   | S     | OIL CAP  |
| 21    | A07558      | 1   | /P    | HANDLE BAR   |
| 22    | 94065       | 2   |       | SCREW - Pan Plastite (#10-16 X 3/4")<br>(Torque Specs: 15-20 in/lbs, 1.7-2.3 Nm) |