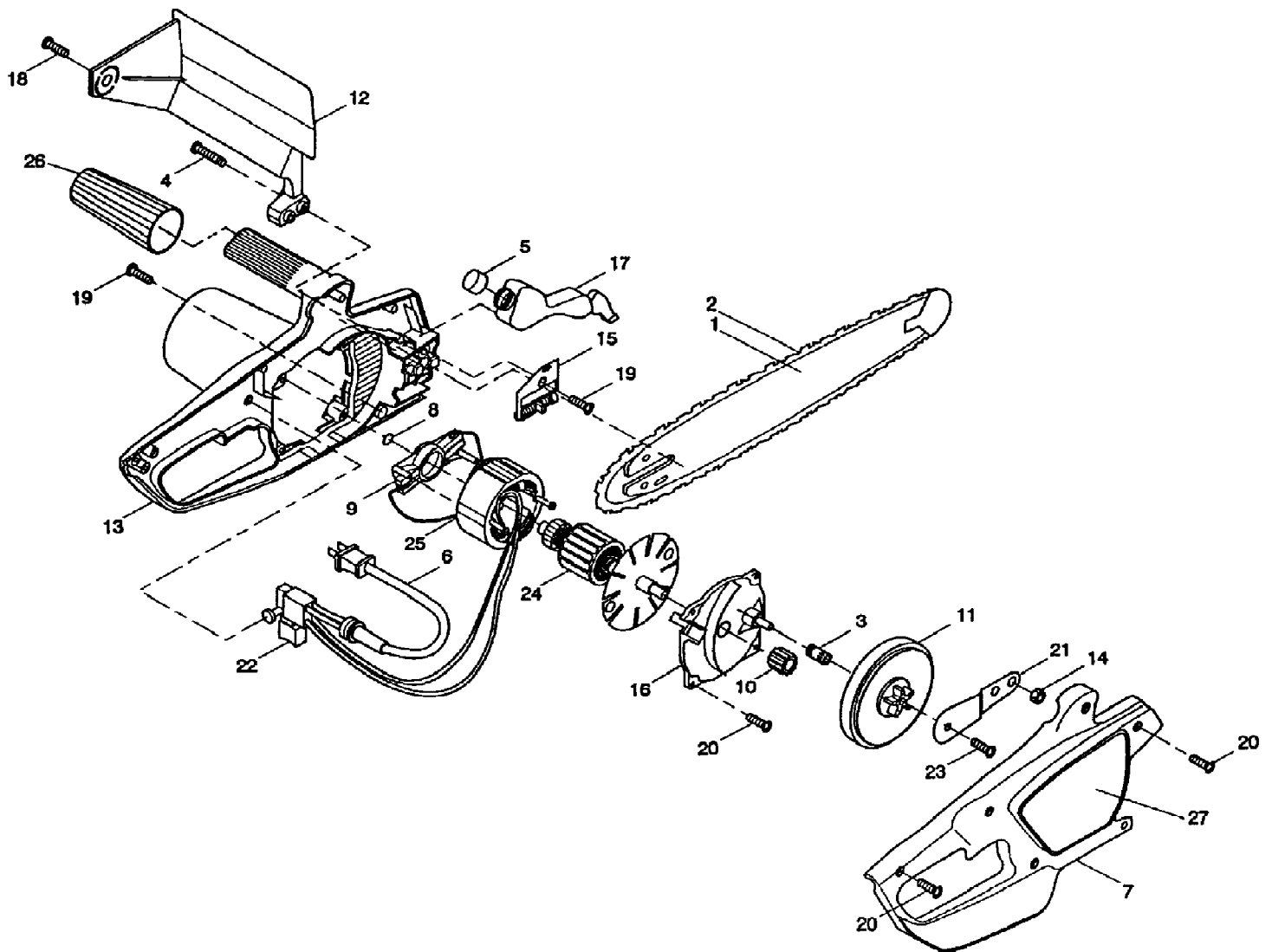


EL16 Chain Saw UT-16004
Exploded View



EL16 Chain Saw UT-16004
Exploded View

Page 2 of 2

Ref #	Part Number	Qty	S/P/F	Description
1	NE12001G7	1		GUIDE BAR-12" (EL-12)
	NE16001G7	1		GUIDE BAR ASSEMBLY (EL-16)
2	D92448	1		SAW CHAIN (EL-12)
	D92450	1		SAW CHAIN (EL-16)
3	0028310	1		SPROCKET ROLLER BEARING
4	0028323	2		BOLT-Hex Head
5	0028318	1		CAP-Oil Reservoir
6	0028321	1		CORD (EL-12)
	0028331	1		CORD (EL-16)
7	0028304	1		SIDE COVER (EL-12)
	0028403	1		SIDE COVER (EL-16)
8	0028314	1		DISC-Thrust (EL-12)
	0028404	1		WASHER-Thrust (EL-16)
9	0028329	1		BEARING & BRUSH HOLDER (EL-12)
10	0028308	1		GEAR-Drive
11	0028309	1		GEAR-Internal
12	0028301	1		HAND GUARD-Front
13	0028319	1	S	HOUSING-Motor
	0028407	1		GEAR HOUSING ASSEMBLY
14	0028324	2		NUT-Hex
15	0028316	1		ADJUSTING PLATE ASSEMBLY
16	0028311	1	/P	BEARING PLATE (EL-12)
17	0028317	1		OIL RESERVOIR
18	0028322	1		SCREW-Tap Pan Head
19	0028315	2		SCREW-Tap Flat Head
20	0028305	9		SCREW-Tap Pan Head
21	0028307	1		SPROCKET SUPPORT
22	0028320	1		SWITCH-Lock-Off
23	0028306	1		SCREW-Shoulder, Pan Head
24		1		ARMATURE Armature & Field - Special Order Only
25		1		FIELD Armature & Field - Special Order Only
26	0028409	1		GRIP- Handle, Front (EL-16)
27	0028402	1		COVER- Sprocket (EL-16)