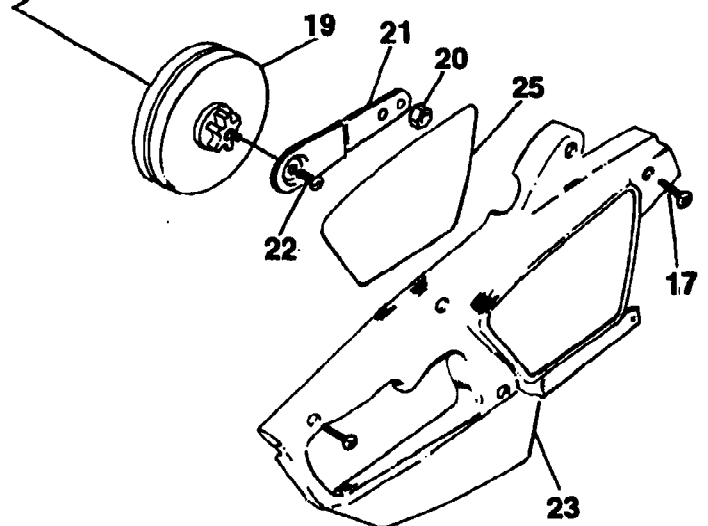
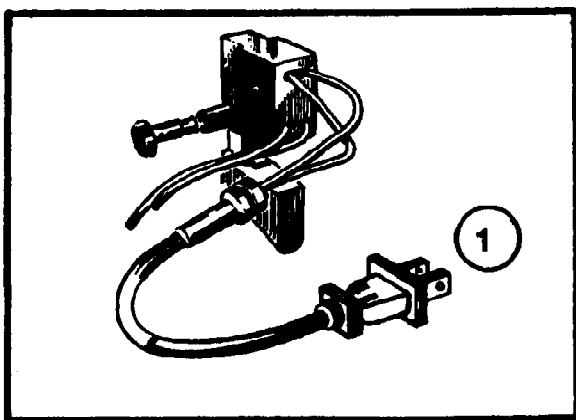
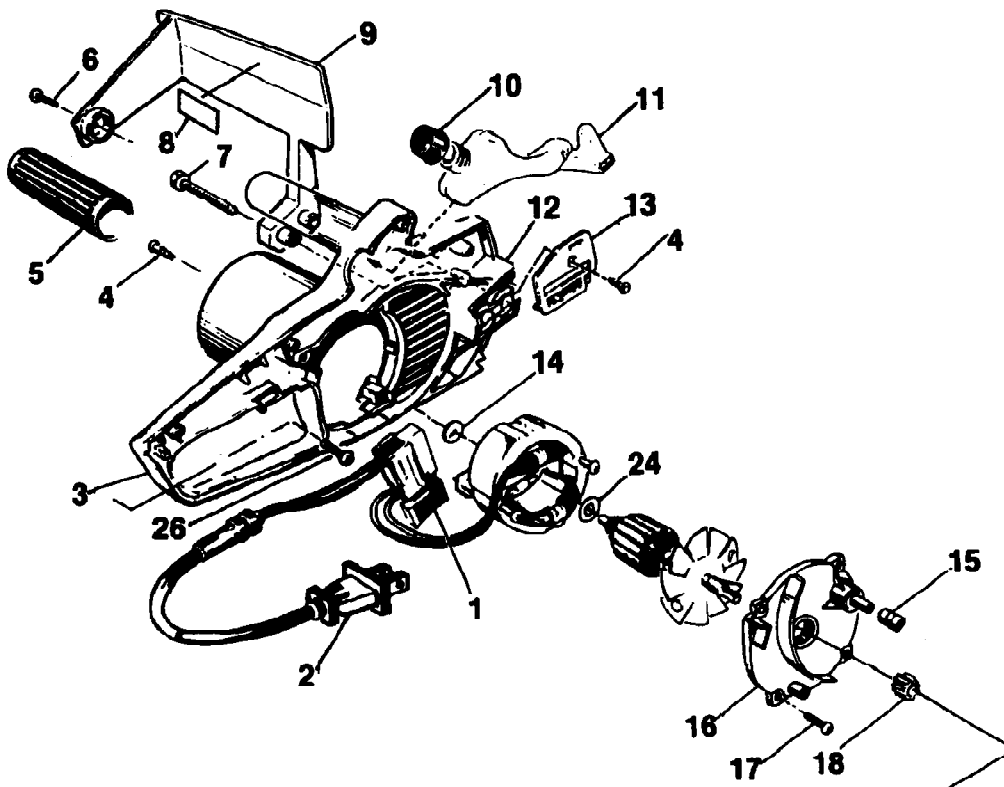


EL12 Chain Saw UT-16000  
Chain Saw

Page 1 of 2



EL12 Chain Saw UT-16000  
Chain Saw

Page 2 of 2

Ref #	Part Number	Qty	S/P/F	Description
1	0028320	1		SWITCH - Lock-off
2	0028321	1		CORD
3	0028319	1	S	HOUSING ASSY. - Motor 12"
	0028408	1		HOUSING ASSY. - Motor 14"
4	0028315	2		SCREW - Tap, Flat Hd.
5	0028409	1		GRIP - Handle, Front (14" only)
6	0028322	1		SCREW - Pan-Hd.
7	0028323	2		BOLT - Hex-Hd.
8	96990A	1		DECAL - Hand Guard
9	0028301	1		GUARD - Handle, Front
10	0028318	1		CAP - Reservoir, Oil
11	0028317	1		RESERVOIR - Oil
12	0028407	1		HOUSING ASSY. - Gear (14" only)
13	0028316	1		PLATE ASSY - Adjusting
14	0028314	1		DISC THRUST (12" only)
15	0028310	1		BEARING - Roller, Sprocket
16	0028311	1	/P	PLATE - Bearing (12" only)
17	0028305	9		SCREW - Tap. Pan-Hd. 8-16x.88 (12")
	0028305	5		SCREW - Tap, Pan-Hd. 8-16x.88 (14")
18	0028308	1		GEAR - Drive
19	0028309	1		GEAR - Internal
20	0028324	2		NUT - Hex
21	0028307	1		SUPPORT - Sprocket
22	0028306	1		SCREW - Shoulder, Pan-Hd.
23	0028304	1		COVER - Side (12")
	0028403	1		COVER - Side (14")
24	0028404	1		WASHER - Thrust (14" only)
25	0028402	1		COVER - Sprocket (14" only)
26	0028322	4		SCREW - Tap, Pan-Hd. (14" only)