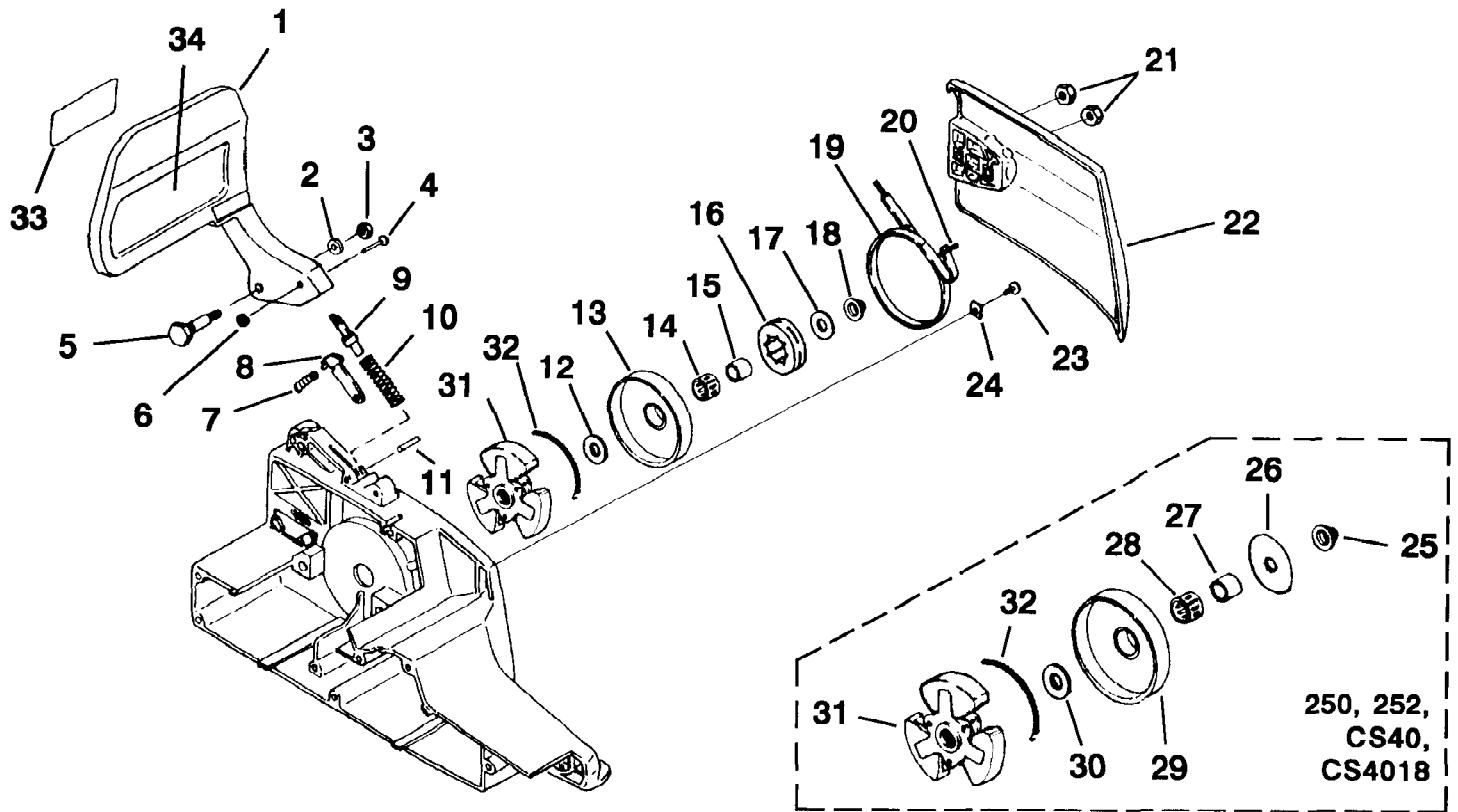
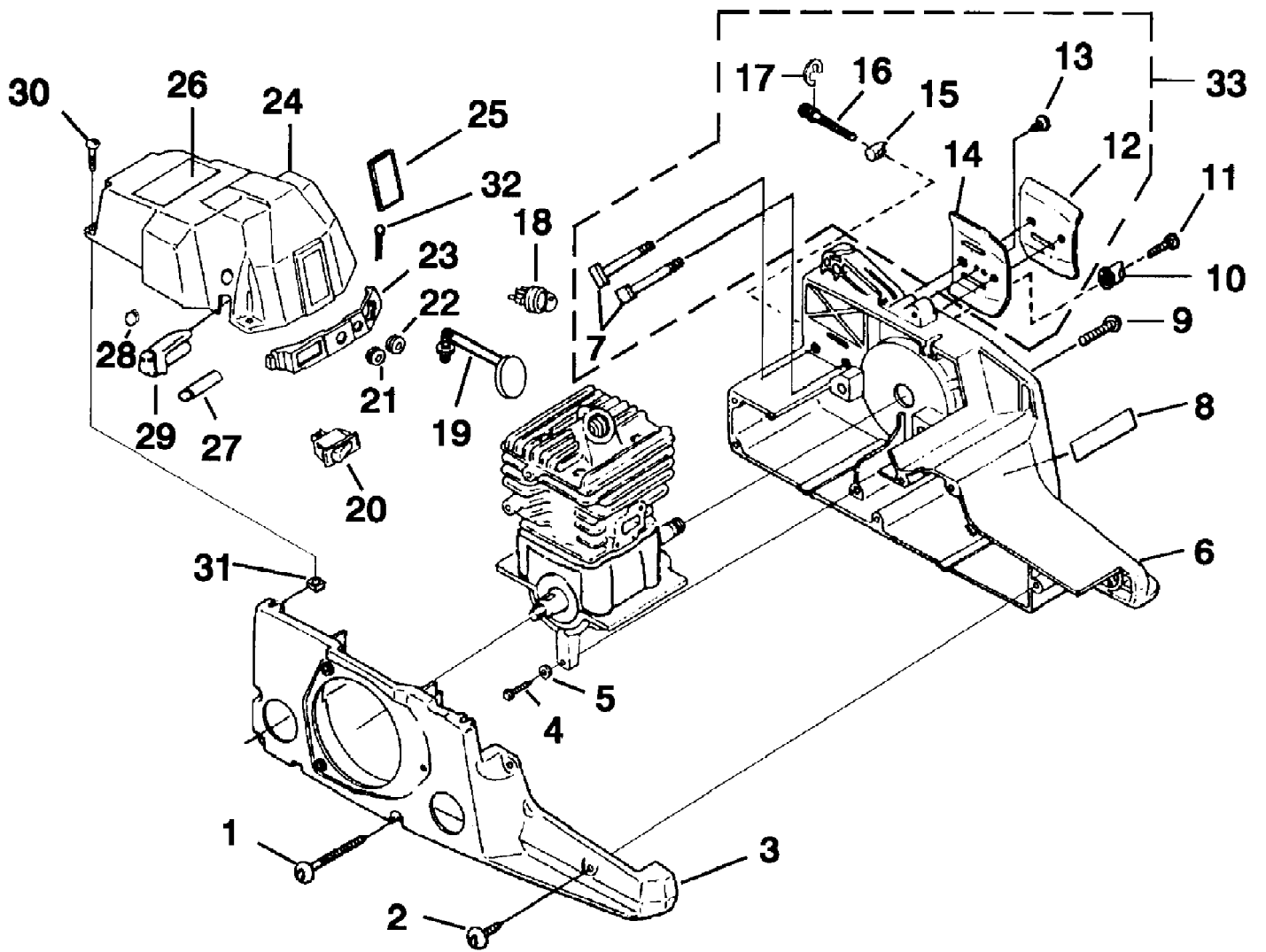


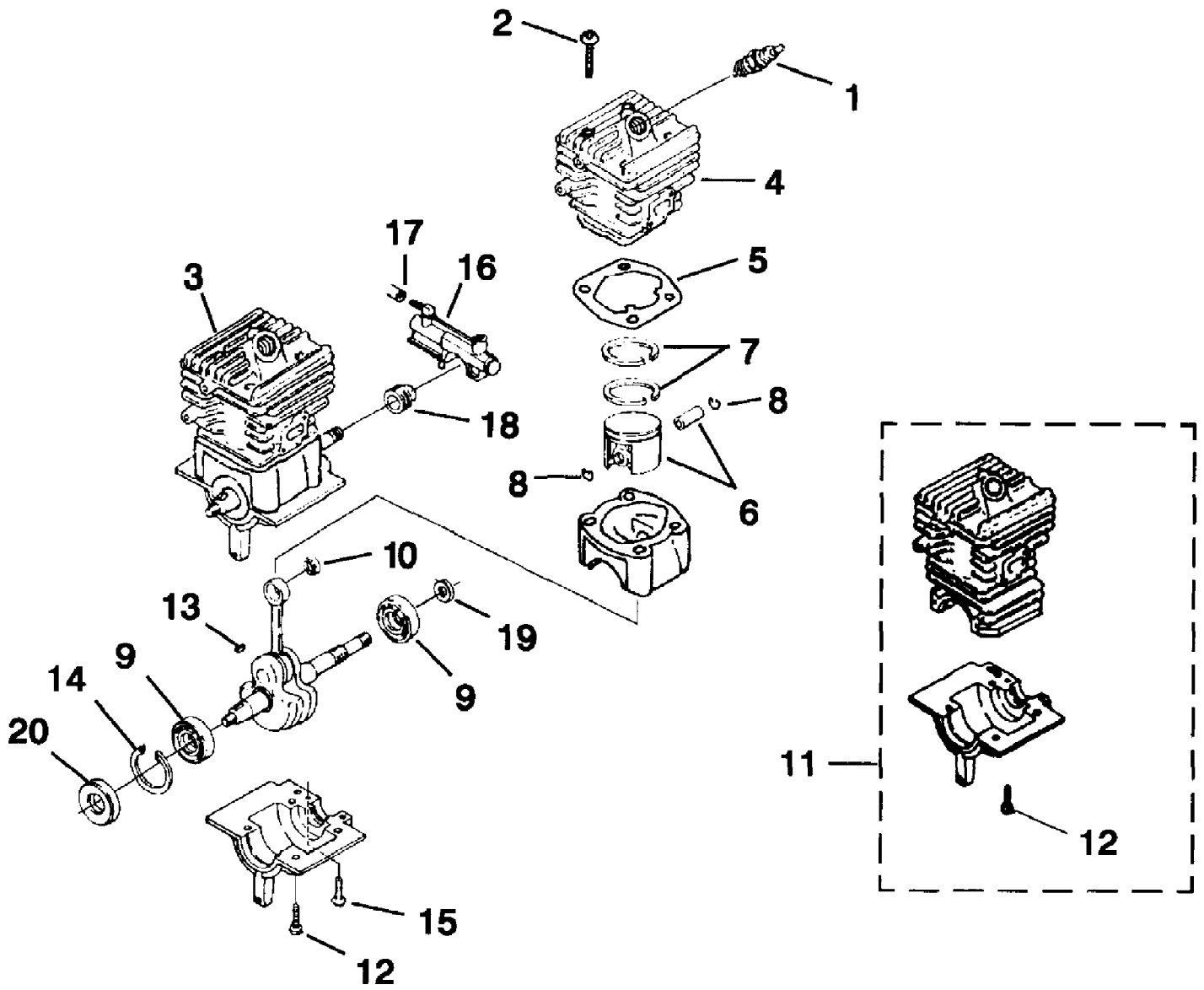
Ref #	Part Number	Qty	S/P/F	Description
1	06652	1		MUFFLER - Complete Includes items 2-4
2	01729	1	S	GASKET Muffler
3	01733	1		SCREEN- Spark Arrestor
4	01734B	1		COVER- Exhaust
5	88058	3	/P	SCREW-Sems (10-24)
6		1		MUFFLER - Complete Not Used On This Model
7		1		GASKET Muffler Not Used On This Model
8		1		SCREW- Square Hd. (10-32 x 2 1/2) Not Used On This Model
9		2		SCREW- Square Hd. (10-32 x 2 1/4) Not Used On This Model
10		1		SCREEN-Spark Arrestor Not Used On This Model
11		1		COVER- Exhaust Not Used On This Model
12		3		NUT Locking (10-32) Not Used On This Model
13		1		WASHER- Flat (#12) Not Used On This Model
14	04512	1		SPACER- Carburetor Includes items 15-16
15	04508	1	/P	GASKET- Carburetor Spacer
16	03141	1		FOAM- Adhesive
17	09203	1		CARBURETOR W/AIR FILTER (Zama) Includes items 18-27
18	00905A	2		SCREW- Carburetor Retainer
19	98339	1	S/P	GASKET Carburetor
20	02695	1		RETAINER PLATE
21	01178	2		RETAINER NUT Filter
22	02718	2	/P	"O" RING
23	02582A	1		AIR FILTER
24	81009	2	/P	NUT Hex (8-32)
25	82430	2		SCREW Mach. Hex Hd. (8-32 x 7/8")
26	82513	1	/P	SCREW Thread Form (6-19 x 5/8")
27	84123	1		WASHER Flat (#6)
28	7031036	1	S	TUBING-Rubber (9")
29	7031019	1	S	TUBING- Rubber (4 3/4")
30	00997D	1		CABLE Throttle



Ref #	Part Number	Qty	S/P/F	Description
1		1		GUARD, HAND Not Used On This Model
2		1		WASHER, BELLVILLE Not Used On This Model
3		1		NUT-(M5) Not Used On This Model
4		1		PIN Not Used On This Model
5		1		SCREW, SHOULDER Not Used On This Model
6		1		RING, RETAINER Not Used On This Model
7		1		SPRING, COIL Not Used On This Model
8		1		BRAKE LATCH ASSY Not Used On This Model
9		1		ADJUSTER, BRAKE Not Used On This Model
10		1		SPRING, COMPRESSION Not Used On This Model
11		1		PIN Not Used On This Model
12		1		WASHER, THRUST (INNER) Not Used On This Model
13		1		SPLINE & DRUM Not Used On This Model
14		1		BEARING, NEEDLE Not Used On This Model
15		1		RACE, INNER Not Used On This Model
16		1		SPROCKET, RIM (.325 X 7T) Not Used On This Model
17	65027	1		WASHER, THRUST
18	81255	1		NUT, HEX LOCK (3/8"-24)
19		1		BRAKE BAND ASSY Not Used On This Model
20		1		PIN, DOWEL Not Used On This Model
21	81196	2	S/P	NUT, HEX
22	00226A	1		COVER, DRIVE CASE
23		1		SCREW, THREAD FORM (#6) Not Used On This Model
24		1		RETAINER, BRAKE BAND Not Used On This Model
25	81255	1		NUT, HEX LOCK (3.8"-24)
26	65064	1		WASHER, THRUST
27	69423	1		RACE, INNER
28	64333	1		BEARING, NEEDLE
29	00996A	1	/P	SPROCKET & DRUM
30	65027	1		WASHER, THRUST
31	00995	1		CLUTCH ASSY
32	98453	1	S	SPRING, CLUTCH
33		1		LABEL, KICKBACK Not Used On This Model
34	02661	1		DECAL, SAFETY

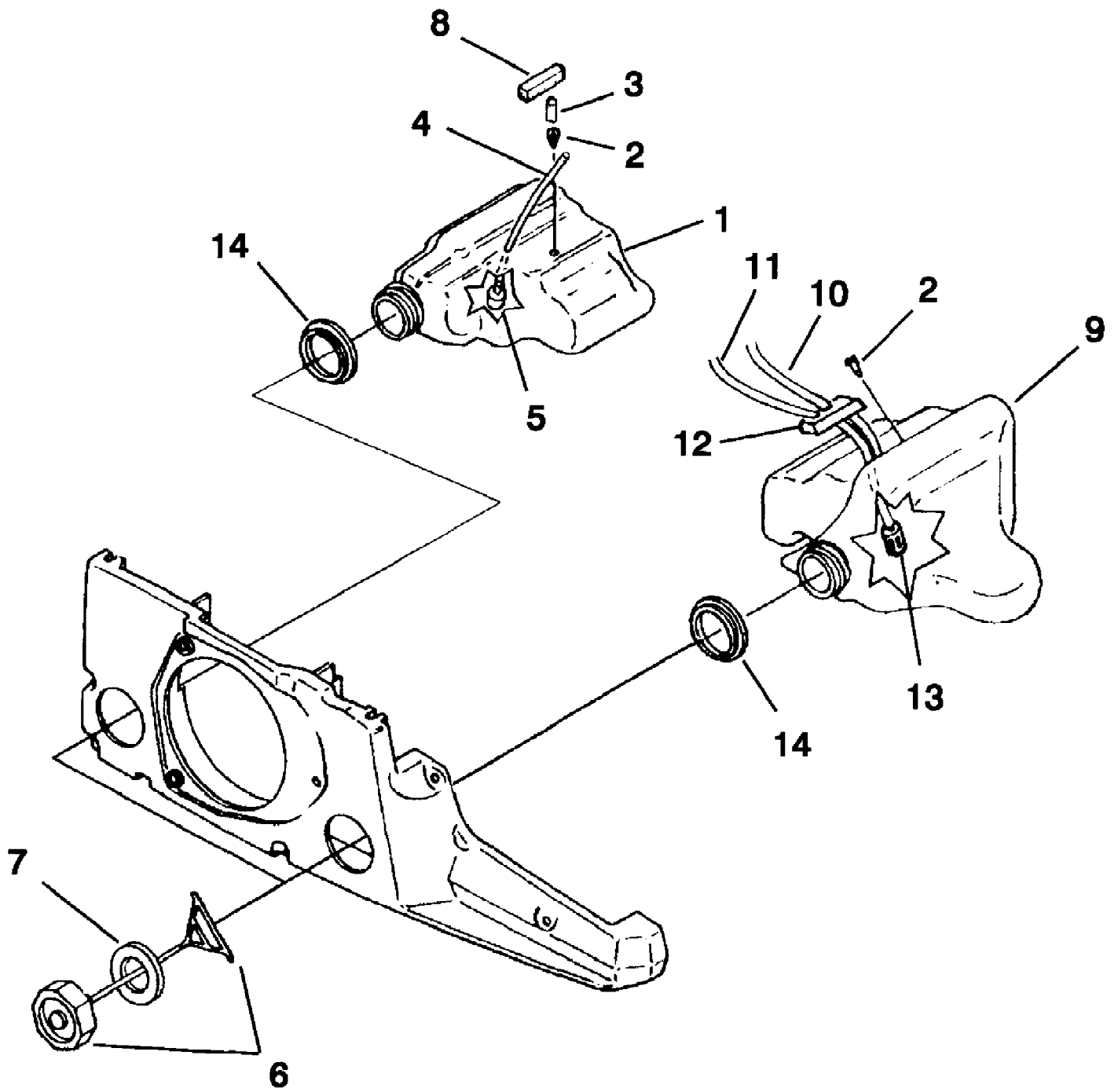


Ref #	Part Number	Qty	S/P/F	Description
1	82545	3		SCREW- Thread Form (8-16 x 1 3/4")
2	82546	1	S/P	SCREW- Thread Form. (8-16 x 5/8")
3	017151A	1	/P	HOUSING-Starter Side
4	82558	1	/P	SCREW-Thread Form. (10-14 x 1 1/8")
5	83056	1		WASHER-Lock
6	03720B	1		HOUSING- Drive Side Includes items 7-8
7	03132	2	/P	BOLT Guide Bar
8	01805A	1	/P	DECAL Panel
9	80864	2	/P	SCREW-Hex Hd. (12-24 x 1")
10	95212	1	/P	STOP- Chain
11	82537	1	/P	SCREW- Thread Form (10-14 x 7/8")
12	01170	1	S	PLATE- Guide Bar (Outer)
13	82513	1	/P	SCREW- Thread Form. (6-19 x 1/2")
14	98278	1		PLATE- Guide Bar (Inner)
15	651121	1	S	PIN- Adjusting
16	03139	1	S	SCREW- Guide Bar Adjusting
17	69599	1	/P	RING- Snap
18	01183	1	/P	BULB- Primer
19	06355	1	S	ROD- Choke
20	01802	1	S	SWITCH- Ign.
21	69889	1	/P	BOOT Throttle Cable
22	64862	1	/P	GROMMET Choke
23	01169	1		PANEL Control
24	04583A	1		CYLINDER COVER Includes item 25
25	01173A	1		SCREEN- Air Inlet
26	02506	1		LABEL Warning
27		1		GROMMET Carburetor Not Used On This Model
28		1		PLUG- Idle Speed Not Used On This Model
29	09019	1	/P	GROMMET Carburetor
30	95792	3	/P	SCREW- Round Hd. (10-24 x .710)
31	70810	3	S	NUT Square (10-24)
32	86334	1	/P	PIN-Cotter
33	06635	1		GUIDE BAR FASTENER KIT

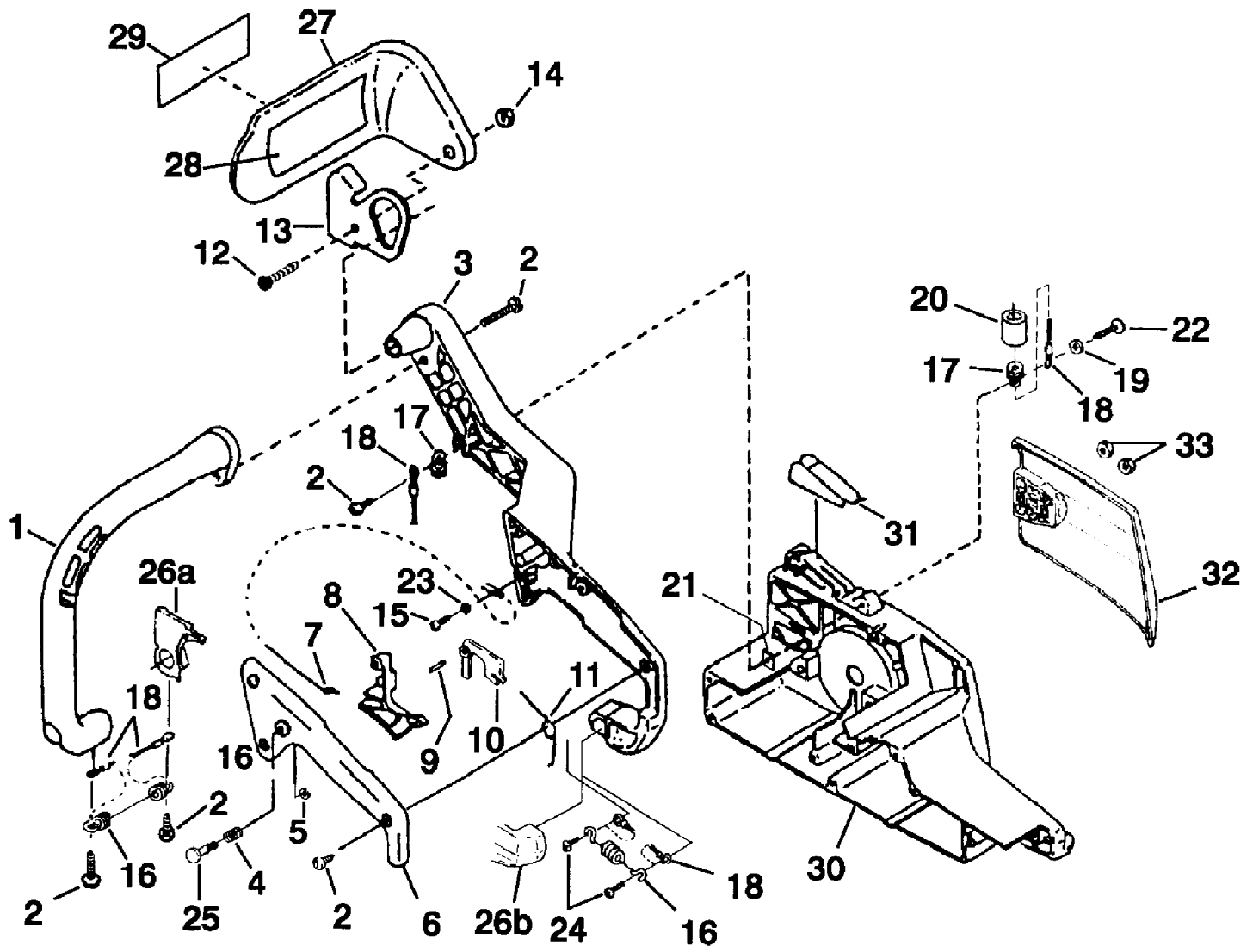


Ref #	Part Number	Qty	S/P/F	Description
1	93561S	1	S	SPARK PLUG (CJ6Y)
	98217S	1	/P	SPARK PLUG (RCJ6Y) (INTL.)
2	82568	4	S	SCREW-PAN Hd. (10-24 x .800)
3	04511	1		SHORT BLOCK Includes items 4-12
4	04513	1		CYLINDER & GASKET Includes item 5
5	02527	1		GASKET, CYLINDER
6	03301A	1		PISTON & PIN Includes items 7-8
7	02263A	2	S	RING, PISTON
8	64813	2	/P	RING, WRIST PIN RETAIN.
9	98797	2	/P	BEARING, BALL
10	70277	1	S	BEARING, NEEDLE
11		1		CYLINDER & CRANKCASE Not Used On This Model
12		4		SCREW, Hex Hd. (12-24 X 7/8") Not Used On This Model
13	75078	1		KEY WOODRUFF
14	289221	1	/P	RETAINING RING
15	82146	2	S	SCREW, FIL. HD. (8-32 X 5/8")
16	02802A	1		OIL PUMP
17	02548	1		TUBING, OIL (TO GUIDE BAR)
18	00229	1		WORM GEAR, LEFT HAND
19	93858	1	S	SEAL, CRANKSHAFT
20	98197A	1	S	SEAL, SHAFT

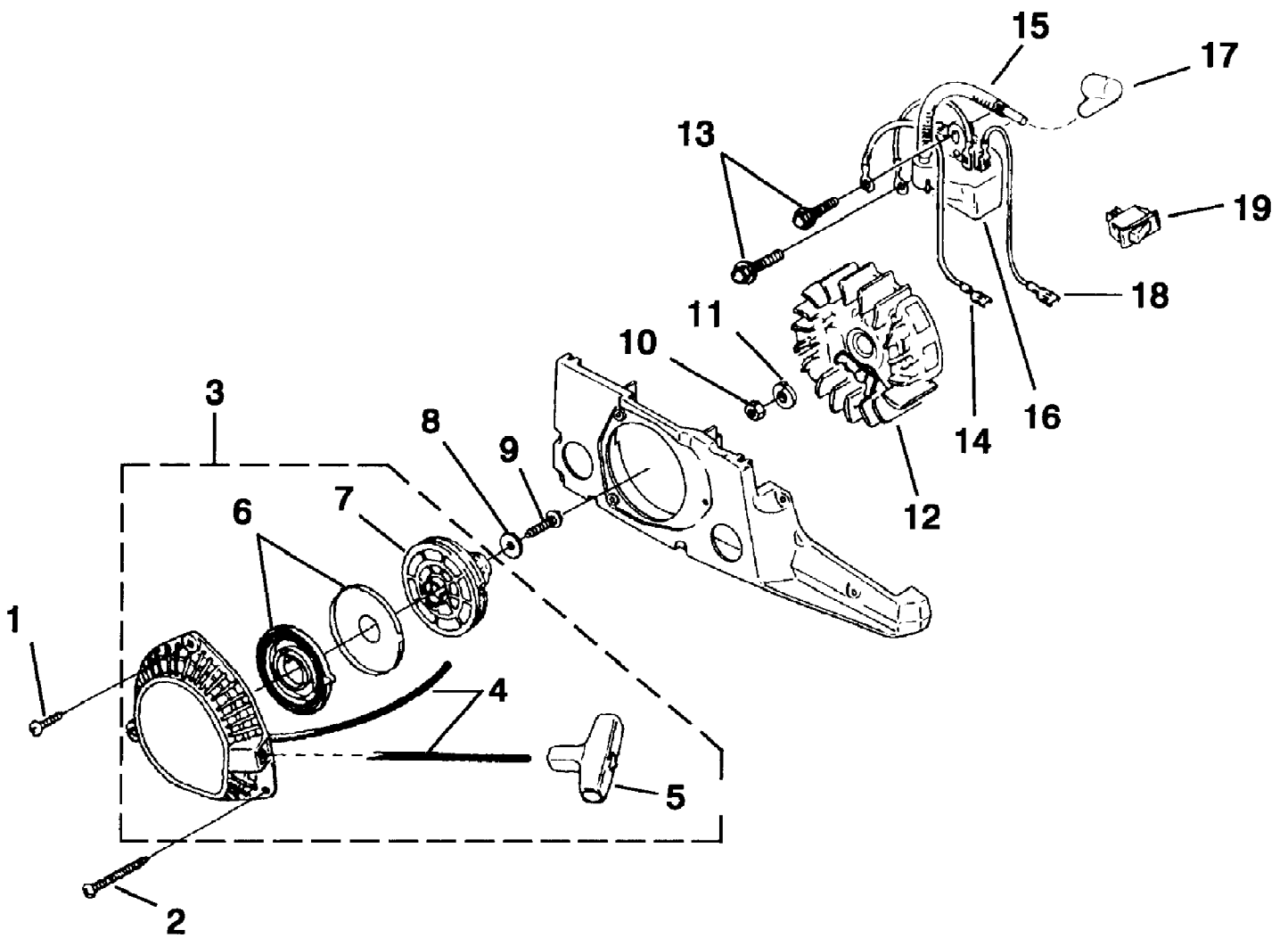




Ref #	Part Number	Qty	S/P/F	Description
1	06636	1		OIL TANK ASSY
2	03134	1	S/P	VALVE-Check
3	03585	1		PIN-Spirol
4	7031029	1		TUBING- Rubber (7 1/4")
5	68593	1		FILTER- Oil
6	00904A	1		CAP- Tank (w/Retainer)
7	02762A	1	S	GASKET Fuel Cap
8	69443	1		FILTER- Oil Tank Valve
9	06637	1		FUEL TANK ASSY
2	03134	1	S/P	VALVE- Check
6	00904A	1		CAP- Tank (w/Retainer)
7	02762A	1	S	GASKET Fuel Cap
10	7031021	1	S	TUBING-Rubber (5 1/4")
11	7031036	1	S	TUBING- Rubber (9")
12	02952	1		FILTER- Foam
13	49422	1	S	FILTER- Fuel
14	00993	2		SAWDUST SEAL



Ref #	Part Number	Qty	S/P/F	Description
	07217	1		HANDLE KIT Includes items 1-24
1	01175	1		HANDLE BAR
2	82546	7	S/P	SCREW, Thread Form (8-16 X 5/8")
3	07164	1		HANDLE-Rear
4	95020	1	S	SPRING-Compression
5	58409	1	/P	RING, Retaining
6	00210C	1		COVER-Rear Handle
7	00997D	1		CABLE-Throttle
8	03806A	1		TRIGGER & SWIVEL
9	70253	1		PIN-Dowel
10	93385A	1	/P	LOCK-Trigger
11	02316	1	/P	SPRING-Trottle
12	80402A	1	S	SCREW-Hex Cap
13	00258	1		MOUNTING BRACKET Handguard
14	81258	1	S	NUT-Flange Hex
15	82513	2	/P	SCREW, Thread Form (#6-19 X 7/8")
	07214	1		ISOLATOR KIT Includes items 16-21
16	01168	2		SPRING-Extension
17	02813	1	S	SPRING-Extension
18	03583	3	S	RETAINER-Spring
19	84008	1	S/P	WASHER-Flat (#10)
20	01813	1		SLEEVE-Spring
21	70810	1	S	NUT-Square (#10-24)
22	82562	1	S	SCREW-Pan Hd. (#10-24 X 7/8")
23	84123	2		WASHER-Flat
24	82546	2	S/P	SCREW-Thread Form (8-16 X 1/2)
25	95671	1	S	PIN-Throttle Lock
26a		1		HOUSING-Starter Side Not Used On This Model
26b	017151A	1	/P	HOUSING-Starter Side
27	95088A	1		HANDGUARD Includes item 28
28	02661	1		DECAL-Kickback
29	00317A	1	/P	DECAL-Kickback
30	03720B	1		ENGINE HOUSING-(Drive Side)
31	00234	1		COVER-Snap On
32	00226A	1		DRIVE CASE COVER
33	81196	2	S/P	NUT Hex (5/16"-18)



Ref #	Part Number	Qty	S/P/F	Description
1	82546	4	S/P	SCREW-Thread Form (8-16 x 5/8")
2	82566	1		SCREW Thread Form (8-16 x 2 1/4)
3	04778A	1		STARTER - COMPLETE Includes items 4-7
4	9789901	1	/P	ROPE, STARTER (46")
5	02264	1	S	GRIP, STARTER
6	97908	1		SPRING & CONTAINER
7	97768B	1	S	PULLEY
8	94062	1	/P	WASHER
9	82409	1	/P	SCREW Plastite (10-14 x 5/8")
10	81124A	1	/P	NUT, JAM (3/8" X 24)
11	83102	1	/P	WASHER LOCK (3/8")
12	00994C	1		ROTOR & STARTER PAWLS
13	88052	2	/P	SCREW, Sems Hex Hd. (10-24 x 7/8")
14	01821A	1		IGNITION GROUND WIRE
15	95098	1		SLEEVE, Insulating
16	01546	1		IGNITION MADULE
17	02597	1		SPARK PLUG BOOT KIT
18	01822A	1		IGNITION WIRE
19	01802	1	S	SWITCH