

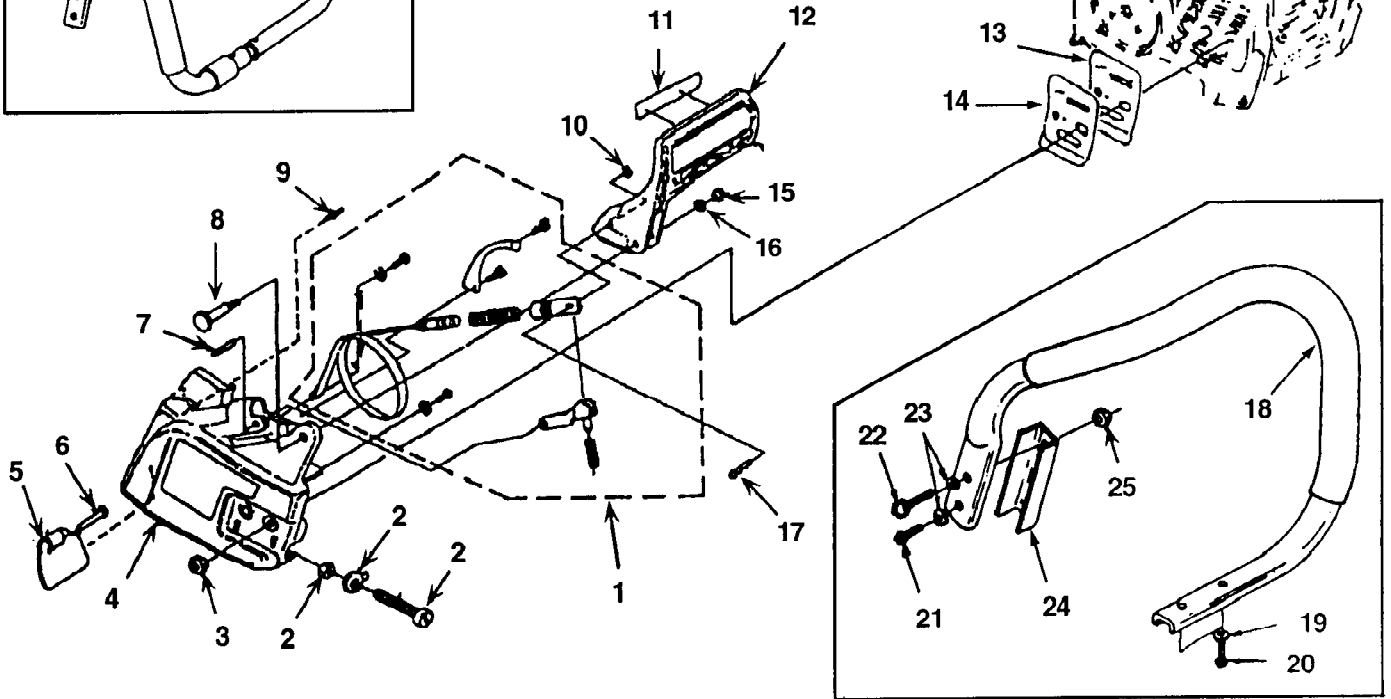
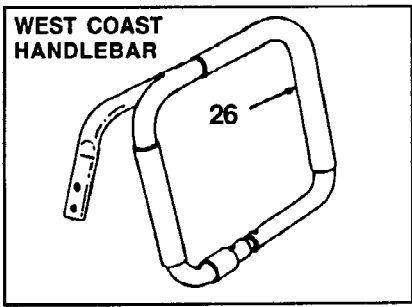
NOTE 1: A-03611-A FOAM KIT

8800 Chain Saw UT-10731-B
Carburetor - Air Cleaner

Page 2 of 12

Ref #	Part Number	Qty	S/P/F	Description
1	82527	2	S/P	SCREW - Hex Cap (10-24 X 2") Torque Spec. 40 - 50 In/Lbs, 4.5 - 5.6 Nm; 262 Red Loctite Required
2	49673	1		SHIELD - Carburetor
3	49671	1	/P	GASKET - Carburetor Shield
4	PS97295	2	/P	GROMMET
5	A07571	1	/P	CARBURETOR KIT
6	972902A	1	S	ADAPTER - Carburetor
7	96620	2	/P	SCREW - Torx Truss (10-24 X 1/2") Torque Spec. 50 - 60 In/Lbs, 5.6 - 6.8 Nm; 262 Red Loctite Required
8	PS97291	1	/P	GASKET - Carburetor
9	A97296	1	/P	COVER - Carburetor Chamber
10	PS97298	1	S	GASKET - Carburetor Chamber
11	04635	1	/P	GASKET - Air Filter
12	80582	2		SCREW - Pan Hd. (8-32 X 5/8") Torque Spec. 15 - 20 In/Lbs, 1.7 - 2.8 Nm; 242 Blue Loctite Required
13	80577	2		SCREW - Machine Pan Hd. (8-32 x 3/8") Torque Spec. 15 - 20 In/Lbs, 1.7 - 2.8 Nm
14	A97303B	1		ELEMENT - Filter
15	A04636A	1	/P	COVER - Air Filter
16	00780	1		DECAL - Warning
17	96731A	1	S	DECAL - Warning

8800 Chain Saw UT-10731-B
Chain Brake - Handles

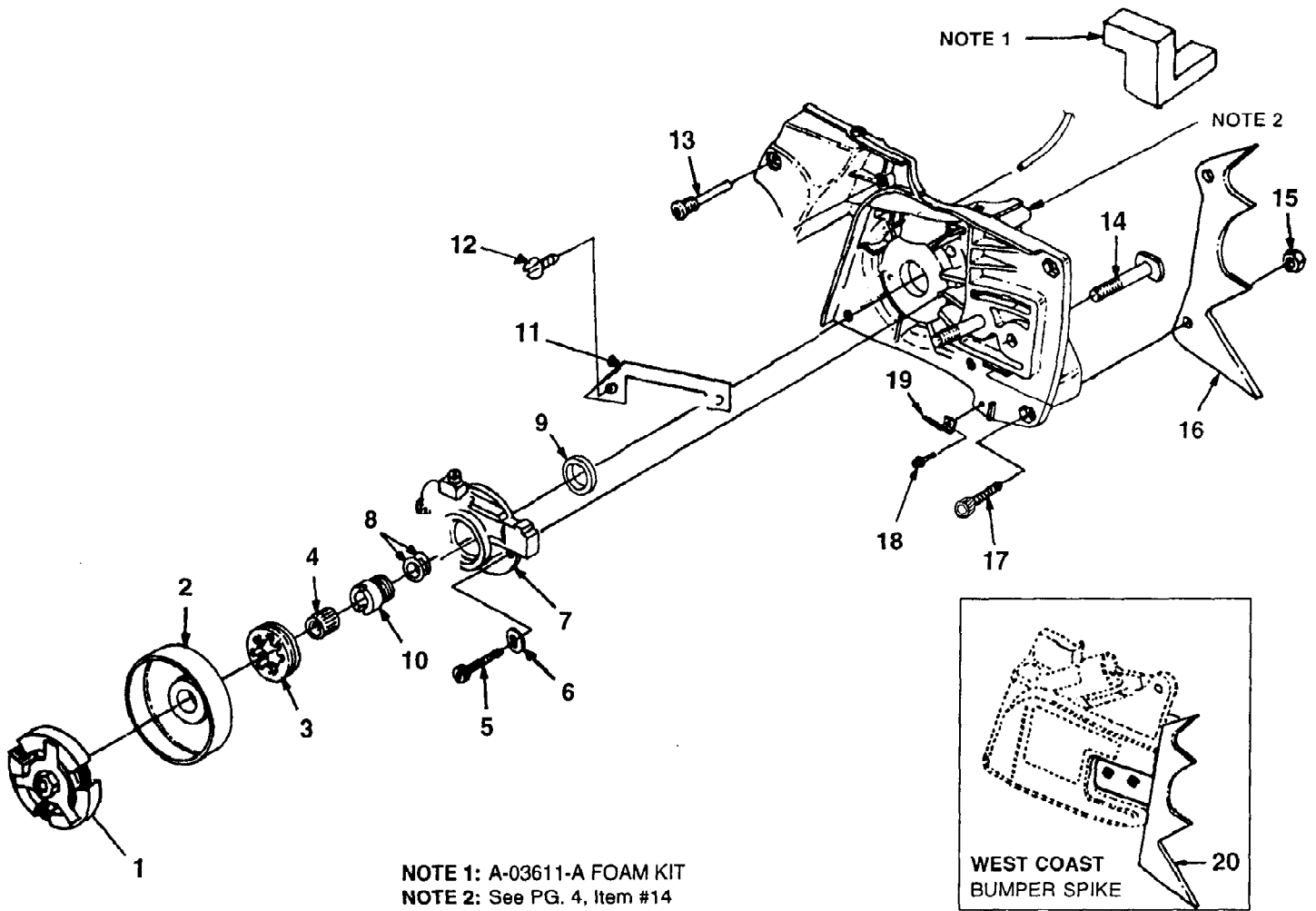


8800 Chain Saw UT-10731-B
Chain Brake - Handles

Page 4 of 12

Ref #	Part Number	Qty	S/P/F	Description
1	A04888A	1	/P	BRAKE BAND ASSY
2	A04889	1		GUIDE BAR ADJ. KIT
3	810892	2	/P	NUT - HEX (10-24) Hand Tight
4	A98727C	1	S	COVER - DRIVE CASE
5	04634	1		SAWDUST SHIELD
6	85154	1	S	RIVET - PAN HD (.187 X .381)
7	98456	1		PIN (5M X 16MM)
8	98461	1		SCREW - SHOULDER (MS) Torque Spec. 40 - 50 In/Lbs, 4.5 - 5.6 Nm
9	PS97331	1	S	PIN - SHOULDER DOWEL
10	01820	1		RING - SNAP
11	02661	1		DECAL HANDGUARD
12	98740	1		HANDGUARD
13	70399	1	S	PLATE - G/BAR (INNER)
14	70400	1	S	PLATE - G/BAR (OUTER)
15	98457	1		NUT (5MM) Torque Spec. 40 - 50 In/Lbs, 4.5 - 5.6 Nm
16	83203	1		WASHER - BELLEVILLE (12MM)
17	98422A	1		PIN - (.156 DIA)
18	A04623	1		HANDLE BAR (Flush Cut)
19	12021	2	/P	WASHER - Conical (#10)
20	80345	2		SCREW - Socket Cap (10-32 X 5/8") Torque Spec. 70 - 80 In/Lbs, 7.9 - 9.0 Nm; 262 Red Loctite Required
21	82283	2		SCREW - Socket Cap (10-24 X 3/4") Torque Spec. 80 - 90 In/Lbs, 9.0 - 10.2 Nm; 262 Red Loctite Required
22	82169	1		SCREW - Socket Cap (10-32 X 7/8") Torque Spec. 80 - 90 In/Lbs, 9.0 - 10.2 Nm; 262 Red Loctite Required
23	12021	2	/P	WASHER - Conical (#10)
24	A07435	1		NEST KIT (Includes 24, 51, 54, 55 & 56)
25	81206	1	S/P	NUT - Lock (#10)
26	A04624	1		HANDLE BAR (West Coast)

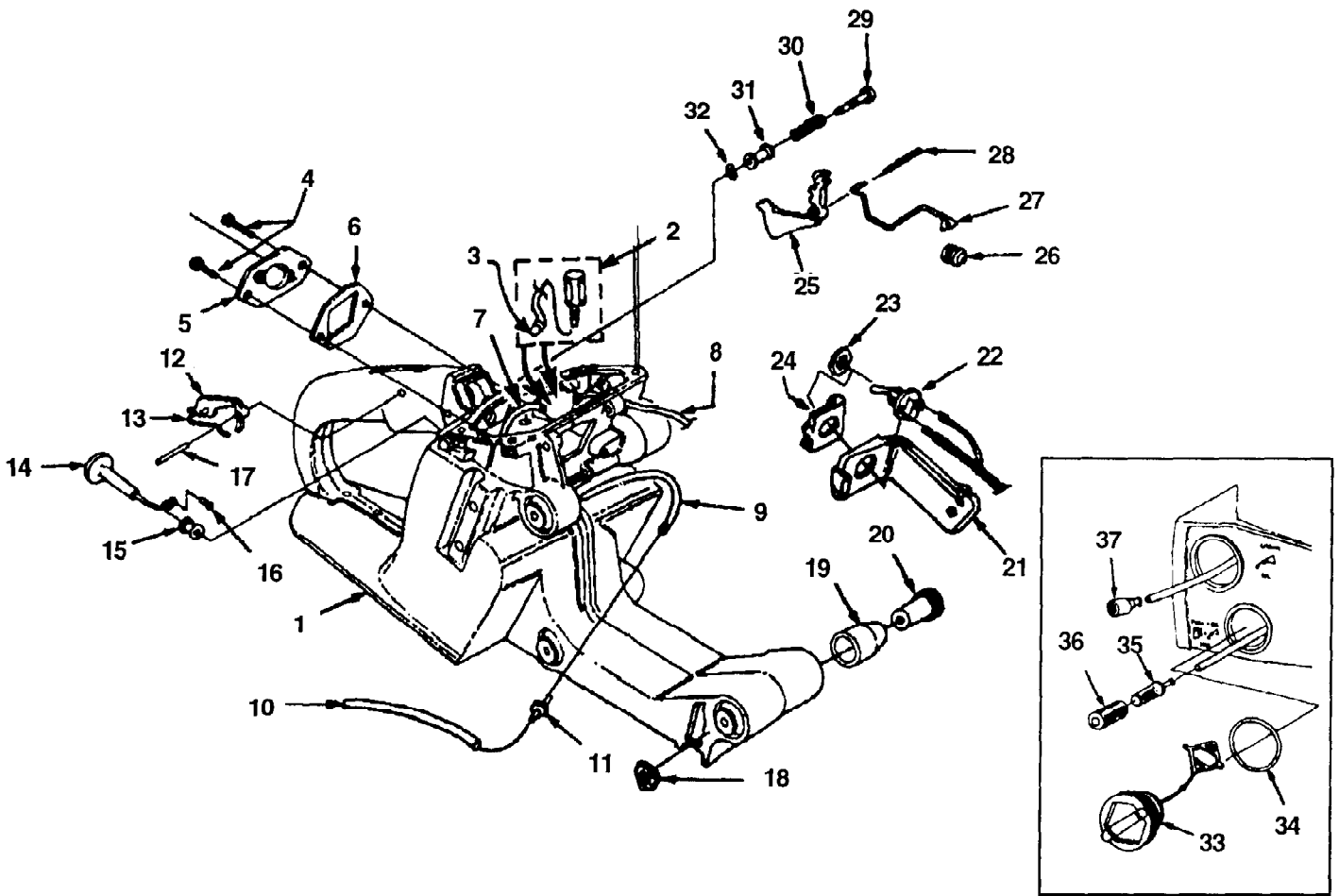
8800 Chain Saw UT-10731-B
Clutch - Oil Pump



8800 Chain Saw UT-10731-B
Clutch - Oil Pump

Page 6 of 12

Ref #	Part Number	Qty	S/P/F	Description
1	A00022A	1	S	CLUTCH
2	A003511	1		DRUM & HUB
3	95058A	1		SPROCKET (7T X 3/8P)
	63285A	1		SPROCKET (7T X .404)
4	98883	1		BEARING - Needle
5	82562	2	S	SCREW - Cap Socket Hd. (10-24 X 7/8") Torque Spec. 20 - 25 In/Lbs, 2.3 - 2.8 Nm; 262 Red Loctite Required
6	84003	2	/P	WASHER - Flat (010)
7	A04891	1	/P	OIL PUMP
8	84119	1		WASHER-Thrust
9	58308B	1	S	SEAL - Shaft
10	A00357A	1	/P	WORM & BEARING
11	04621	1		SHIELD - Pump
12	80575	2		SCREW - Slotted Hd. (8-32 X 1/4") Torque Spec. 30 - 40 In/Lbs, 3.4 - 4.5 Nm; 242 Blue Loctite Required
13	93367	6		PIN - Isolator Torque Spec. 60 - 70 In/Lbs, 6.8 - 7.9 Nm
14	93918A	2	S	BOLT - Guide Bar (3/8-16 X 2")
15	81225	2	/P	NUT - Hex (#12-24)
16	01233	1	/P	BUMPER SPIKE
17	82572	2	/P	SCREW - Socket Cap (12-24 X 5/8") Hand Tight
18	96620	1	/P	SCREW - Torx Hd. (10-24 X 1/2") Torque Spec. 50 - 60 In/Lbs, 5.6 - 6.8 Nm
19	04626	1		CHAIN - Stop
20	A98969A	1		BUMPER SPIKE (West Coast)

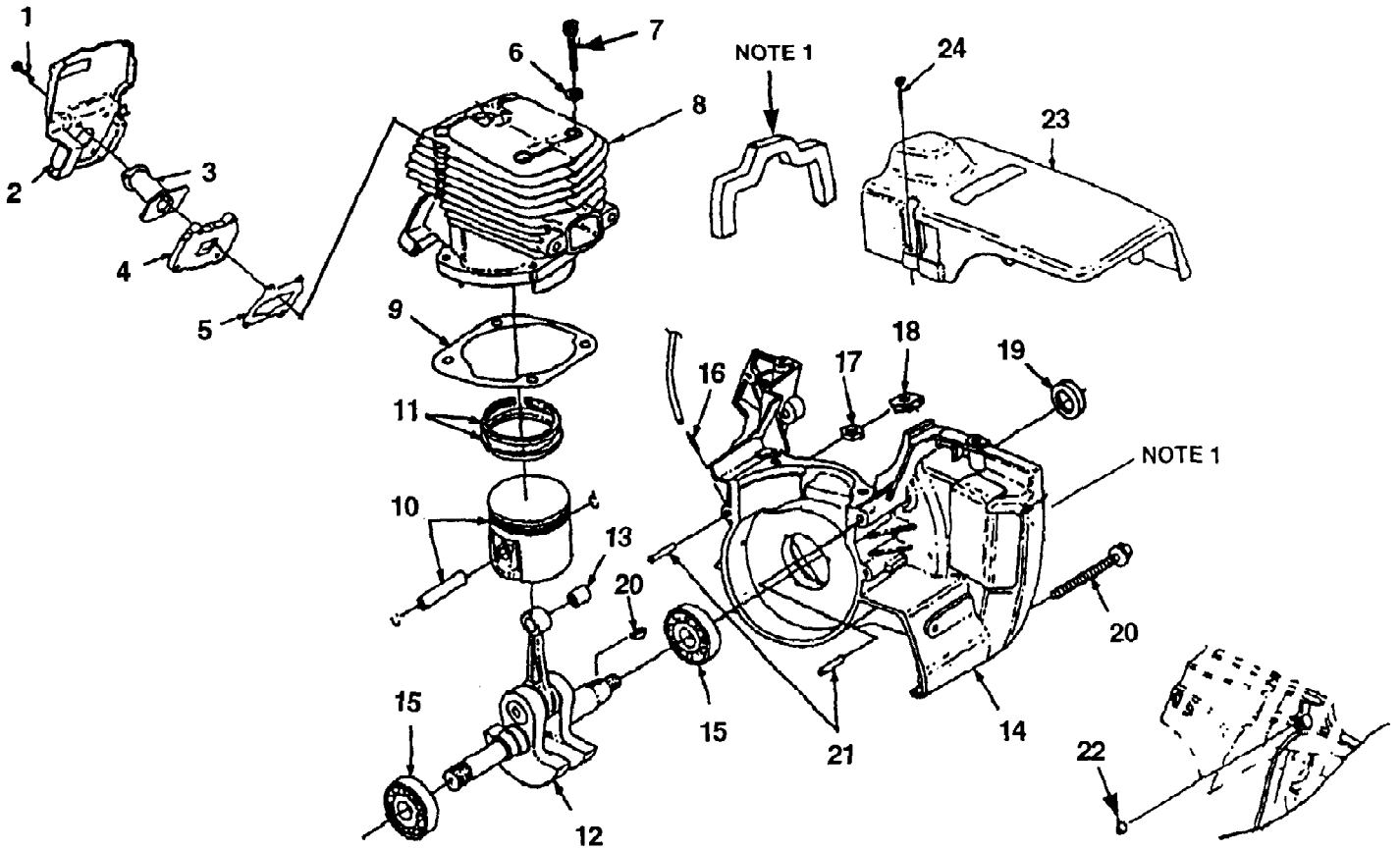


8800 Chain Saw UT-10731-B
Engine Housing

Page 8 of 12

Ref #	Part Number	Qty	S/P/F	Description
1	A04892A	1	/P	HOUSING - Engine
2	A07012	2		TANK VENT KIT
3	96841	1	S	VALVE - Duck Bill
4	96620	2	/P	SCREW - Torx Truss (10-24 X 1/2") Torque Spec. 50 - 60 In/Lbs, 262 Red Loctite Required
5	972902A	1	S	ADAPTOR - Carburetor
6	PS97291	1	/P	GASKET - Carburetor
7	9311238	1	/P	TUBING - Rubber (Fuel Line, 9 1/2")
8	9315720	1		TUBING - Rubber (Oil Line, 5")
9	9311226	1		TUBING - Rubber (Pulse Line, 6 1/2")
10	7045423	1		TUBING - Rubber (5 3/4")
11	02067	1	/P	FITTING - Inline Fuel
12	93385A	1	/P	TRIGGER - Lock
13	PS97265	1	/P	SPRING - Flat
14	972921	1	S	ROD - Choke
15	64862	1	/P	GROMMET
16	86324	1	/P	PIN - Cotter
17	68548	1		PIN - Trigger
18	81206	3	S/P	Nut - Locking Hex (10-32)
19	973052	6	/P	ISOLATOR - Vibration
20	PS97262	6	S	SLEEVE - Flanged
21	PS97306A	1	S	COVER
22	A57650A	1	/P	SWITCH - Toggle
23	72084A1	1	S	NUT - Hex
24	12893	1		PLATE - Indicating
25	93842	1	/P	TRIGGER - Throttle
26	69889	1	/P	BOOT - Throttle Rod
27	97294A	1	S	ROD - Throttle
28	68548	1		PIN - Trigger
29	95671	1	S	PIN - Throttle Lock
30	95020A	1	/P	SPRING - Compression
31	95989	1	S	BUSHING - Flanged
32	58409	1	/P	RING - Retaining
33	A03131	2	S	CAP - Fuel & Oil
34	98805A	1	/P	GASKET - Fuel & Oil Cap
35	A97700	1	S	FILTER - Fuel
36	592531A	1	/P	ELEMENT - Felt Filter
37	A68593	1		OIL FILTER

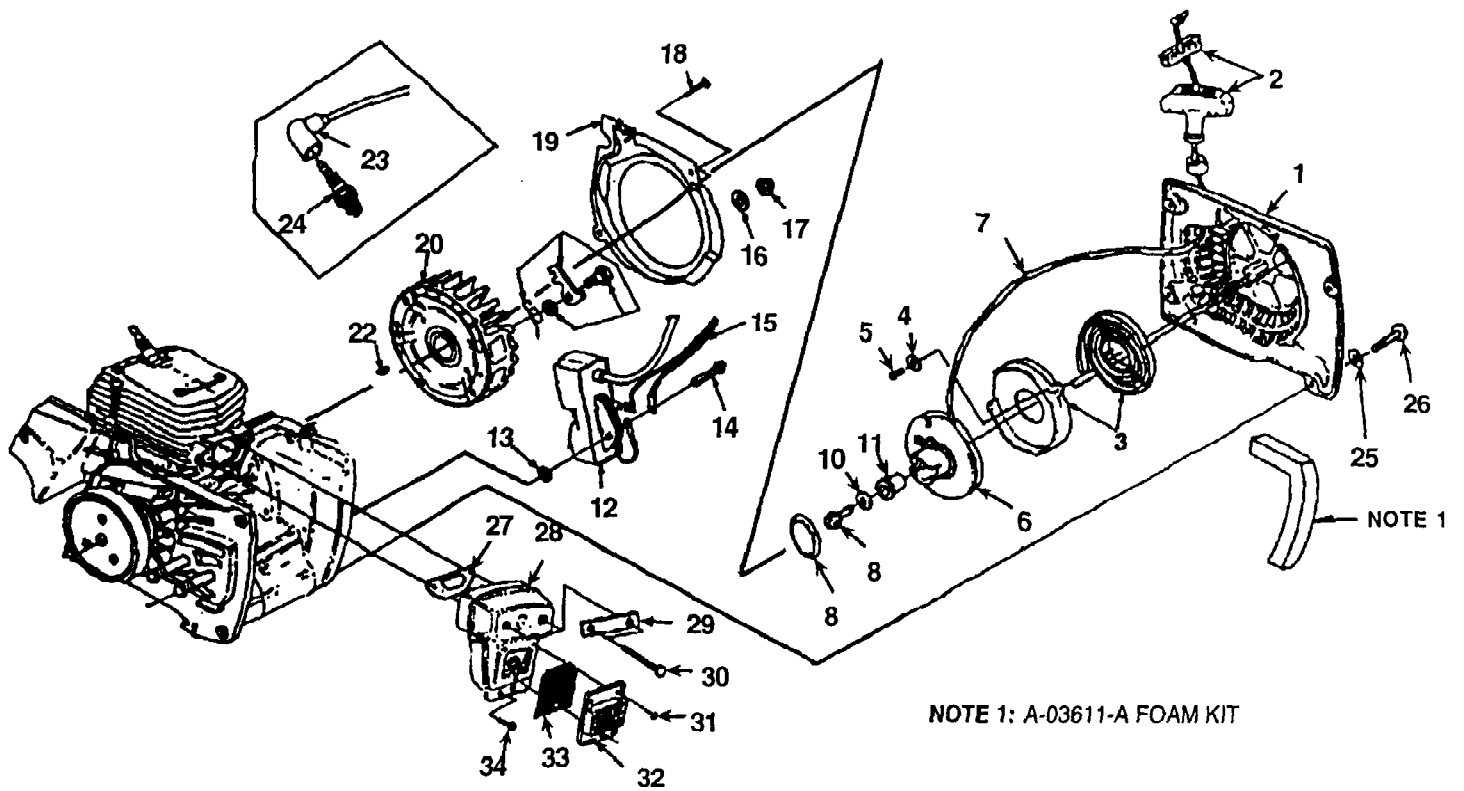
8800 Chain Saw UT-10731-B
Engine Internal



NOTE 1: A-03611-A FOAM KIT

Ref #	Part Number	Qty	S/P/F	Description
1	82248	4		SCREW - MACH. HEX HD (8-32 X 3/4") Torque Spec. 15 - 25 In/Lbs, 1.7 - 2.8 Nm; 242 Blue Locktite Required
2	973381A	1	S	BAFFLE - CYLINDER
3	972632	1	/P	BOOT - INTAKE
4	02822	1	/P	ADAPTER - INTAKE
5	04635	1	/P	GASKET - INTAKE
6	12021	4	/P	WASHER - CONICAL (#10)
7	82246	4	/P	SCREW - CAP SOCKET (10-24 X 1") Torque Spec. 80 - 90 In/Lbs, 9.0 - 10.2 Nm; 262 Red Locktite Required
8	A02830A	1	/P	CYLINDER & PISTON (MATCHED)
9	PS97316	1	/P	GASKET - CYLINDER
10	A028241B	1	/P	PISTON & PIN ASSY.
11	02825	2		PISTON RING
12	A00792A	1	/P	CRANKSHAFT & ROD
13	93519	1	/P	BEARING - NEEDLE
14	A07082	1	/P	CRANKCASE ASSY
15	94621A	2	S	BEARING - BALL
16	69833	1	/P	FITTING - TUBE
17	81208	2	/P	NUT - LOCK HEX (10-24)
18	12689A	2		NUT - RETAINER
19	58308B	1	S	SEAL - SHAFT
20	88057	5	S	SCREW - HEX SEMS (10-24 X 2") Torque Spec. 70 - 80 In/Lbs, 7.9 - 9.0 Nm; 262 Red Locktite Required
21	PS31062	1	S	PIN - DOWEL
22	PS97330	1	/P	BUSHING
	93918A	2	S	BOLT - GUIDE BAR (SEE CLUTCH PG)
23	A02121	1	S	COVER - CYLINDER
24	93397A	3	/P	SCREW - CYLINDER COVER Torque Spec. 20 - 30 In/Lbs, 2.3 - 3.4 Nm
	A03611A	1	S	FOAM KIT

8800 Chain Saw UT-10731-B
Starter - Ignition - Exhaust System



8800 Chain Saw UT-10731-B
Starter - Ignition - Exhaust System

Page 12 of 12

Ref #	Part Number	Qty	S/P/F	Description
1	A02292A	1	S	STARTER COMPLETE
2	A69962B	1	/P	GRIP - W/INSERT
3	A98067A	1	/P	SPRING & RETAINER
4	84025	3	/P	WASHER - FLAT (#8)
5	82528	2	/P	SCREW - THREAD FORM (6 X 3/8") Torque Spec. 8 - 12 In/Lbs, .9 - 1.4 Nm
6	A97990C	1	S	PULLEY & ROPE
7	A00518	1	S	ROPE
8	02505	1		SPRING - GRIP
?9	82409	1	/P	SCREW - (10-14 X 5/8") Torque Spec. 30 - 40 In/Lbs, 3.4 - 4.5 Nm
10	58763	1		WASHER - RETAINING
11	97992A	1	S	BUSHING - STARTER POST
12	A04890A	1	/P	MODULE ASSY
13	04617	2		SPACER
14	88052	2	/P	SCREW - HEX HD (10-24 X 7/8") Torque Spec. 50 - 60 In/Lbs, 5.6 - 6.8 Nm
15	A985831D	1	S	LEAD - GROUND W/GROMMET
16	95479A	1	/P	WASHER - FLAT
17	81255	1		NUT - LOCK HEX (3/8-24) Torque Spec. 250 - 300 In/Lbs, 28.2 - 33.9 Nm
18	80582	2		SCREW MACH (8-32 X 5/8") Torque Spec. 30 - 40 In/Lbs, 3.4 - 4.5 Nm
19	02133	1	/P	SCROLL - AIR GUIDE
20	A02085B	1	S	ROTOR
?21	A03610	1		STARTER PAWL KIT
22	75078	1		KEY - WOODRUFF
23	A33055	1	/P	TERMINAL - SPARK PLUG
24	98217S	1	/P	SPARK PLUG (RCJ6Y) Torque Spec. 120 - 180 In/Lbs, 13.6 - 20.3 Nm
25	84003	4	/P	WASHER - FLAT (#10)
26	82562	4	S	SCREW - PAN HD (10-24 X 5/8") Torque Spec. 40 - 50 In/Lbs, 4.5 - 5.6 Nm; 262 Red Loctite Required
27	97682B	1	S	GASKET - MUFFLER
28	A04429	1		MUFFLER
29	04431A	1	S	PLATE - RETAINING
30	82592	2	/P	SCREW - HEX CAP (1/4-20 X 3 1/4") Torque Spec. 100 - 140 In/Lbs, 11.3 - 15.8 Nm
31	80560	3	/P	SCREW - MACH (8-32 X 1/2") Torque Spec. 30 - 40 In/Lbs, 3.4 - 4.5 Nm
32	A98747	1		CAP - MUFFLER
33	98827	1	S	SCREEN - SPARK ARRESTOR
34	825551	2	S	SCREW - TRUSS HD (10-24 X 3/4") Torque Spec. 60 - 70 In/Lbs, 6.8 - 7.9 Nm
	A03611A	1	S	FOAM KIT