

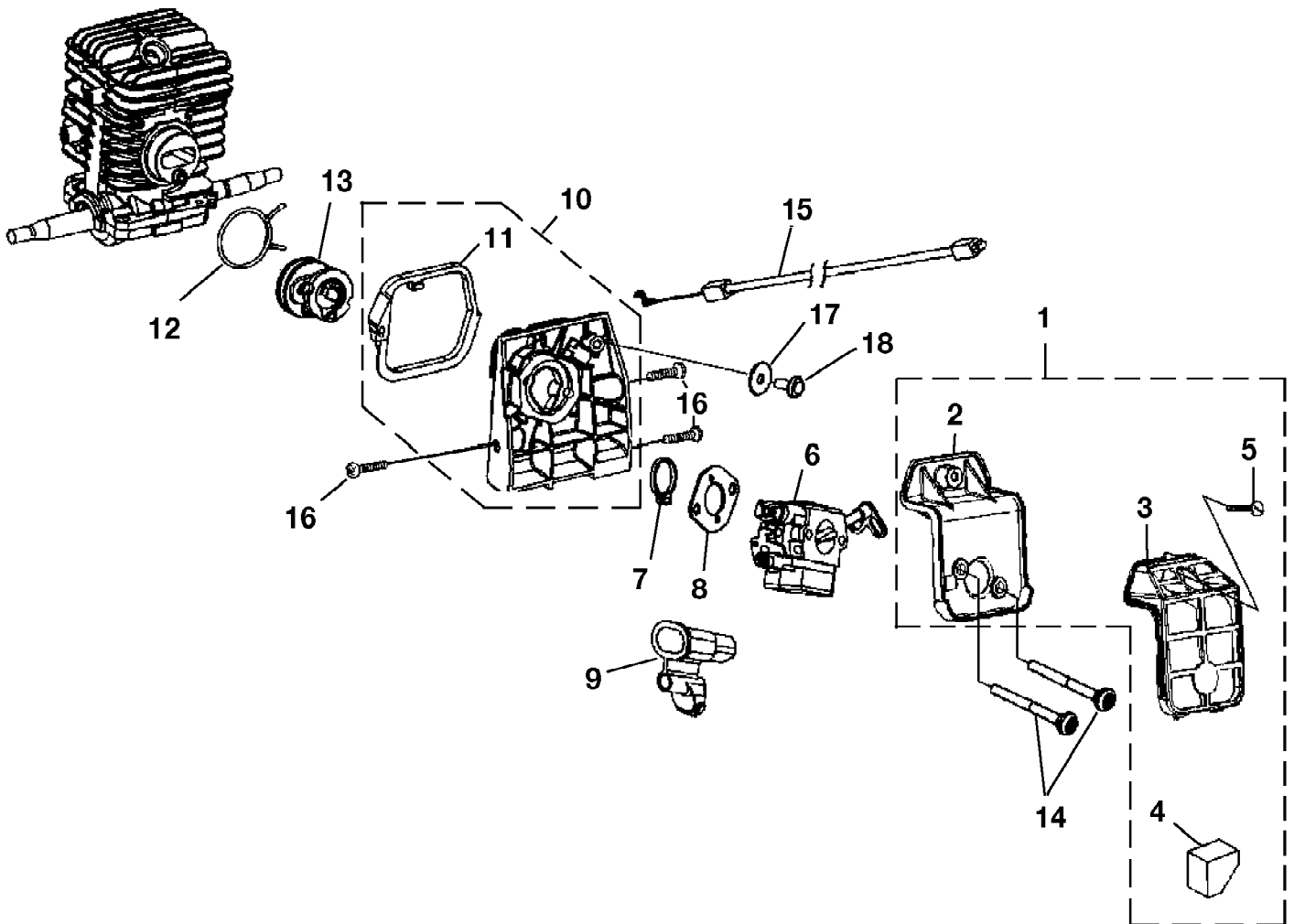
No
Diagram
Available

Parts List
Only

45cc Chain Saw UT-10946-A
Accessories

Page 2 of 16

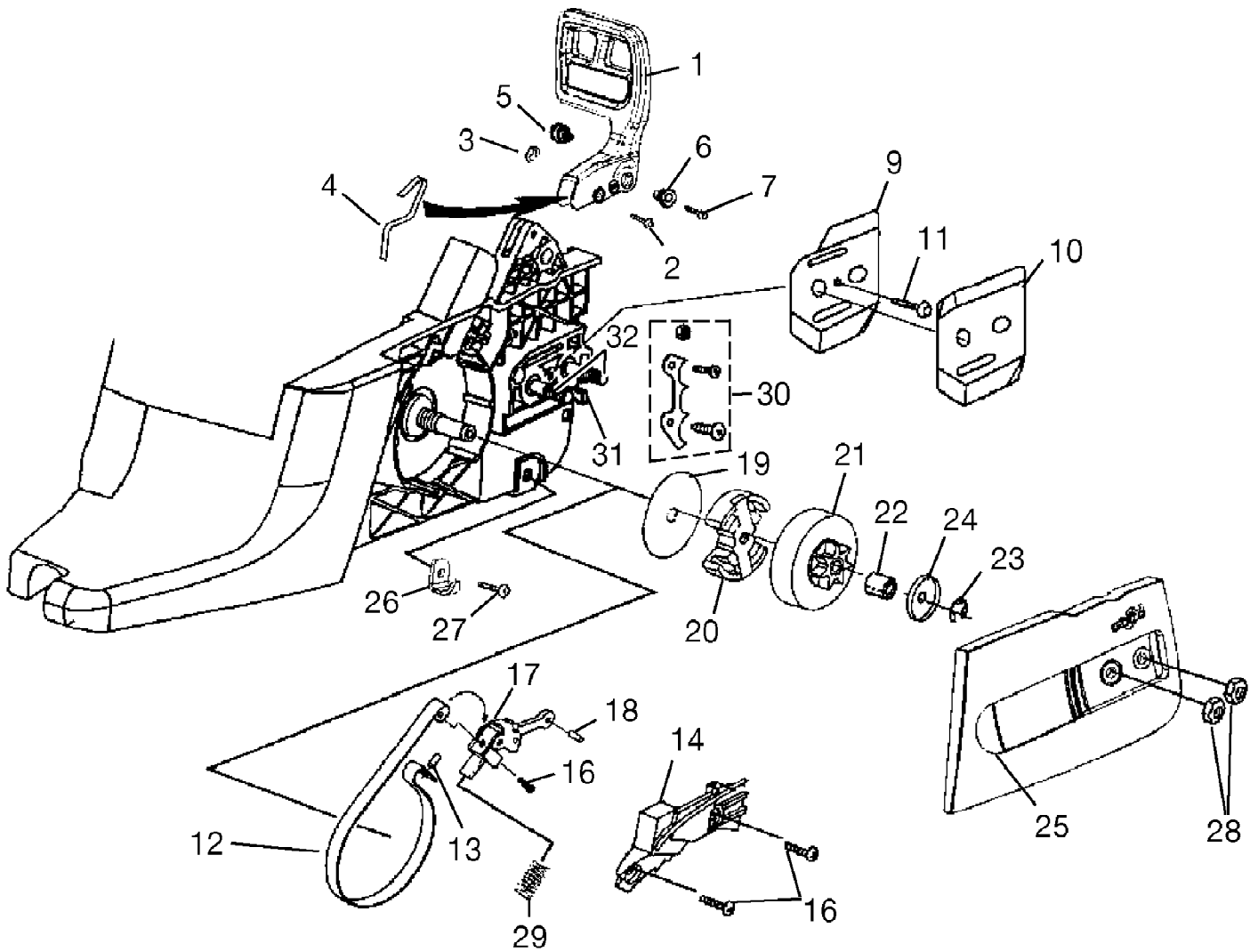
Ref #	Part Number	Qty	S/P/F	Description
	PSO6132	1		16" Guide Bar .325 pitch .050 Gauge
	PSO6131	1		18" Guide Bar .325 pitch .050 Gauge
	PSO6301	1		20" Guide Bar .325 pitch .050 Gauge
	PSO6136	1		16" Chain Standard bars from UT10927 and UT10946 are not useable on UT10942.
	PSO6135	1		18" Chain Standard bars from UT10927 and UT10946 are not useable on UT10942.
	PSO6134	1		20" Chain Standard bars from UT10927 and UT10946 are not useable on UT10942.
	PS24823	1	/P	Sealant Silicon
	0745499	1	/P	Rubber tubing (10')
	09207	1	/P	Wrench - Combination
	18416	1		Digital Tachometer
	18453	1	/P	Grease, Multi-purpose
	94194	1	/P	Compression Tester
	1856601	1	/P	Bit, Torx T27
	UP08681A	1	/P	Carry Case
	UP08685A	1	/P	Bumper Spike Kit
	UP08000A	1	S/P	Adjusting Pin Kit
	PS06206	1		Operator's Manual:UT10946 and UT10946A
	PS06311	1		Operator's Manual:UT10927A
	PS06304	1		Operator's Manual:UT10942A



45cc Chain Saw UT-10946-A
Carburetor - Air Filter

Page 4 of 16

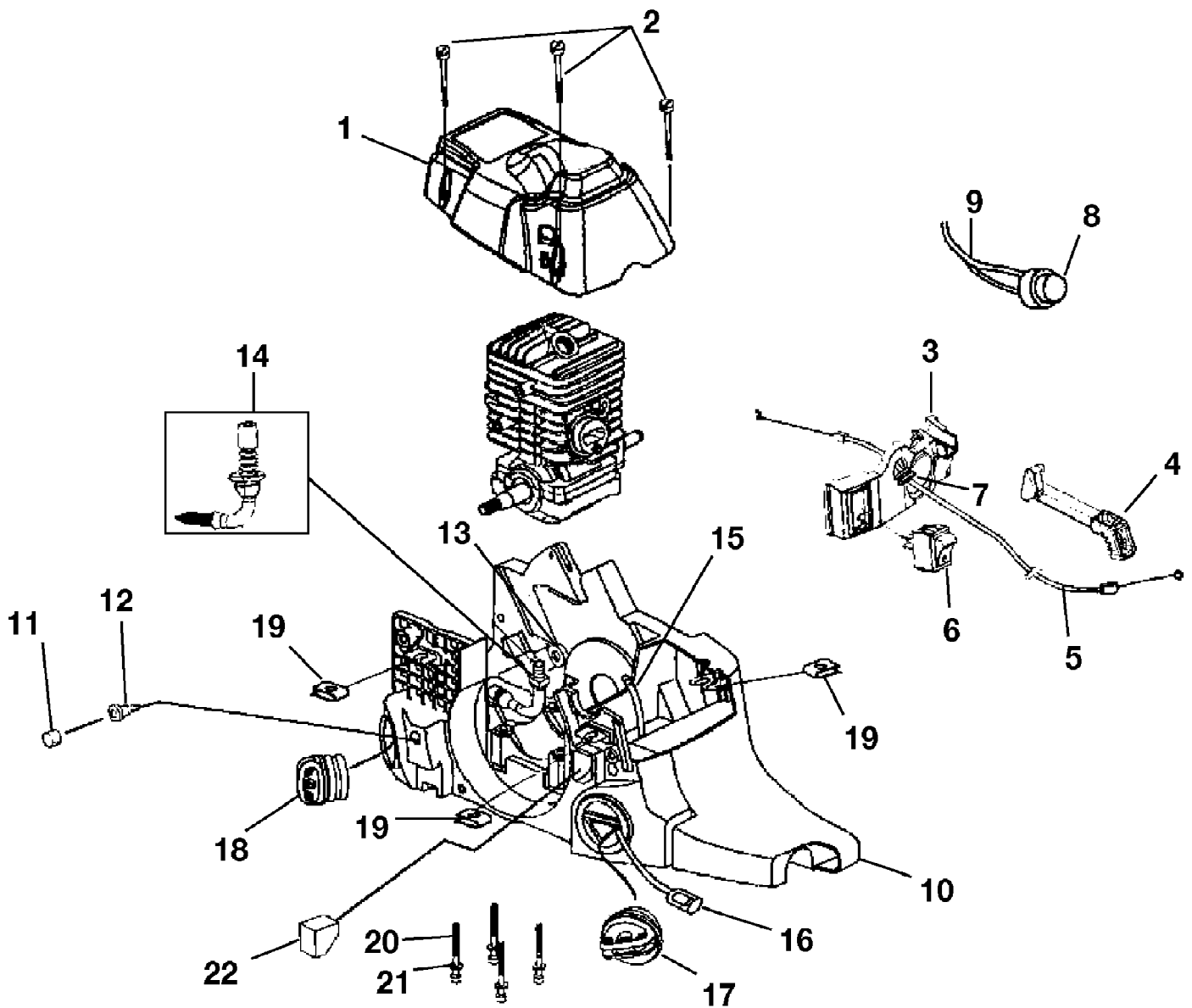
Ref #	Part Number	Qty	S/P/F	Description
1	UP08095A	1	/P	Air Filter Kit Includes items 1-5
2	PA01284	1	/P	Air Filter Base
3	PS02798	1	/P	Air Filter Cover
4	PS05070	1	/P	Pre Filter (Position shown in engine housing)
5	82617	1	/P	Screw-Slotted Pan Hd.(8-16 x 5/8")
6	UP08662A	1	/P	Carburetor Assembly Includes items 6-8
7	PS04375	1	/P	Plate-Carburetor
8	PS05105	1	/P	Gasket-Carburetor
9	PS04371	1	/P	Grommet-Carburetor
10	UP07896A	1	/P	Adaptor-Carburetor Includes items 10-11
11	PS04374	1	/P	Seal-Carb Adaptor
12	PS04309	1	/P	Clamp-Wire
13	PS02794	1	/P	Intake Boot
14	PS04446	2	/P	Screw 10-32 x 1.75
15	UP07868A	1	S	Throttle Cable
16	82563	3	/P	Screw-Torx
17	12789	1	/P	Washer, Retaining
18	82623	1	S/P	Screw



45cc Chain Saw UT-10946-A
Clutch - Chain Brake - Drive Case Cover

Page 6 of 16

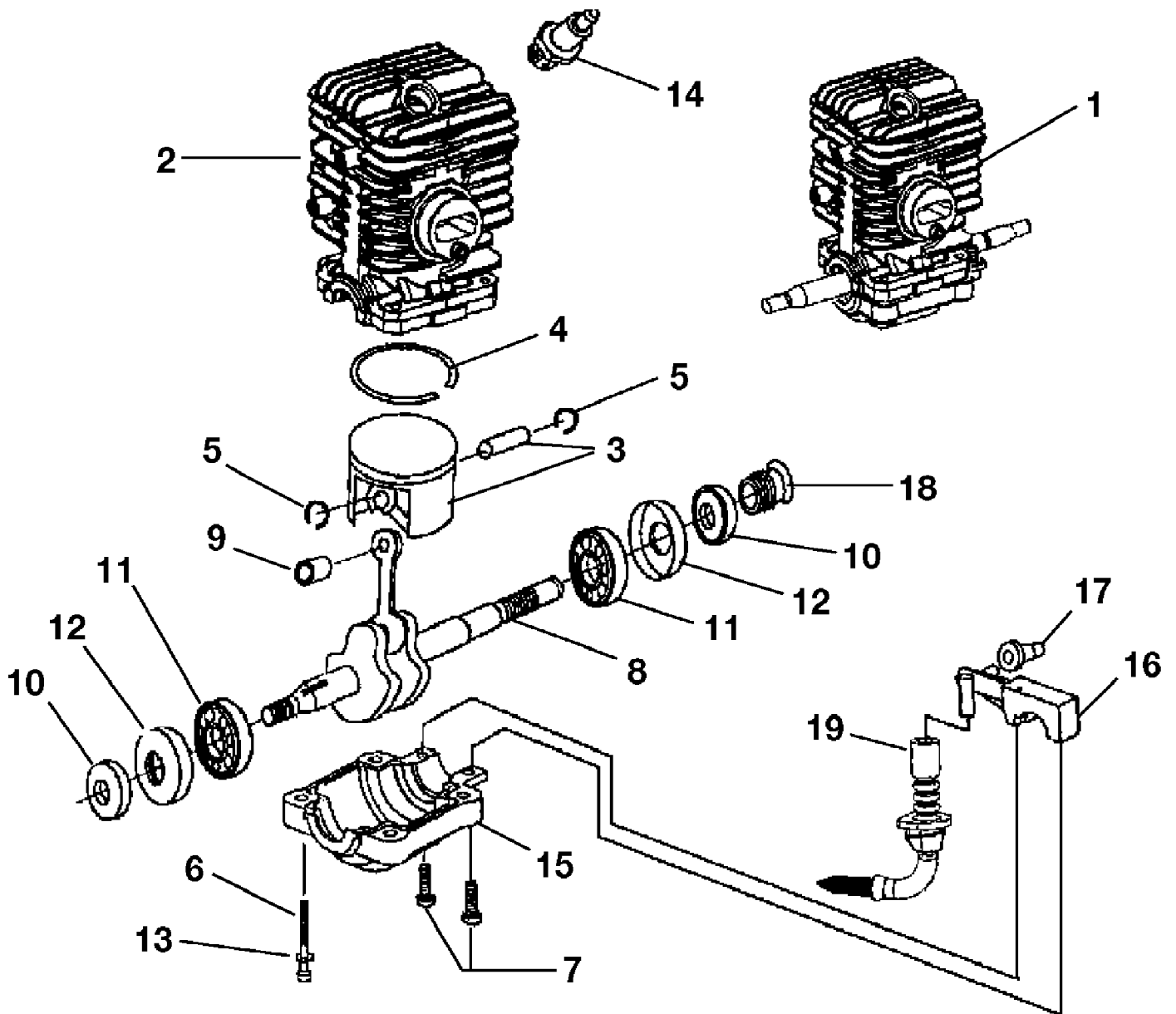
Ref #	Part Number	Qty	S/P/F	Description
1	PS04726	1	S	Hand Guard Includes items 2-4
2	07580	1	S/P	Hand Guard Actuating Pin
3	69599	1	/P	Retaining Ring
4	PS04955	1	S/P	Spring, Handguard
5	07393	1	S/P	Pivot, L.H.
6	07392	1	S/P	Pivot, R.H.
7	82624	1	/P	Screw, Hex Socket Hd. (8-32 x 5/8")
9	07404A	1	/P	Plate, Guide Bar
10	07405A	1	/P	Plate, Guide Bar
11	82513	1	/P	Screw, Thread Form (6-19 x 1/2")
12	985030001	1	/P	Chain Brake Band Includes items 13-14,16
13	06672	1	S/P	Pin, Roll
14	985021001	1	/P	Cover, Chain Brake
16	82623	3	S/P	Screw, Pan Hd. (8-16 x .320)
17	984897001	1	/P	Chain Brake Link
18	95395A	1	/P	Pin, Roll
19	04940	1	/P	Thrust Washer
20	984894001	1	S	Clutch & Hardware
21	984640001	1	/P	Sprocket, Drum (.325 Pitch) Includes items 22-23
22	PS04669	1	/P	Bearing, Needle
23	08981	1	/P	Ring, Retaining
24	04939A	1	/P	Washer, Cupped
25	PA01106	1	S	Drive Case Cover
26	PS02928	1	S/P	Chain Catcher Includes item 27
27	82541	1	/P	Screw, Thread Form (10-24 x 1/2")
28	81196	2	S/P	Nut, Hex
29	985240001	1	/P	Spring, Compression
30	UP08685A	1	/P	Bumper Spike Kit
31	UP08000A	1	S/P/F	Adjusting Pin (UT10927 and UT10946) Do not use with UT10942
	985250001	1	S/P/F	Chassis Kit Includes items 31
	985030001	1	/P	Brake Band
	985021001	1	/P	Cover, Chain Brake
	82623	3	S/P	Screw
	985240001	1	/P	Spring
	985028001	1	S	Chassis
32	PS04881	2	/P	Bar Guide Bolt



45cc Chain Saw UT-10946-A
Engine Housing - Fuel Tank - Oil Tank

Page 8 of 16

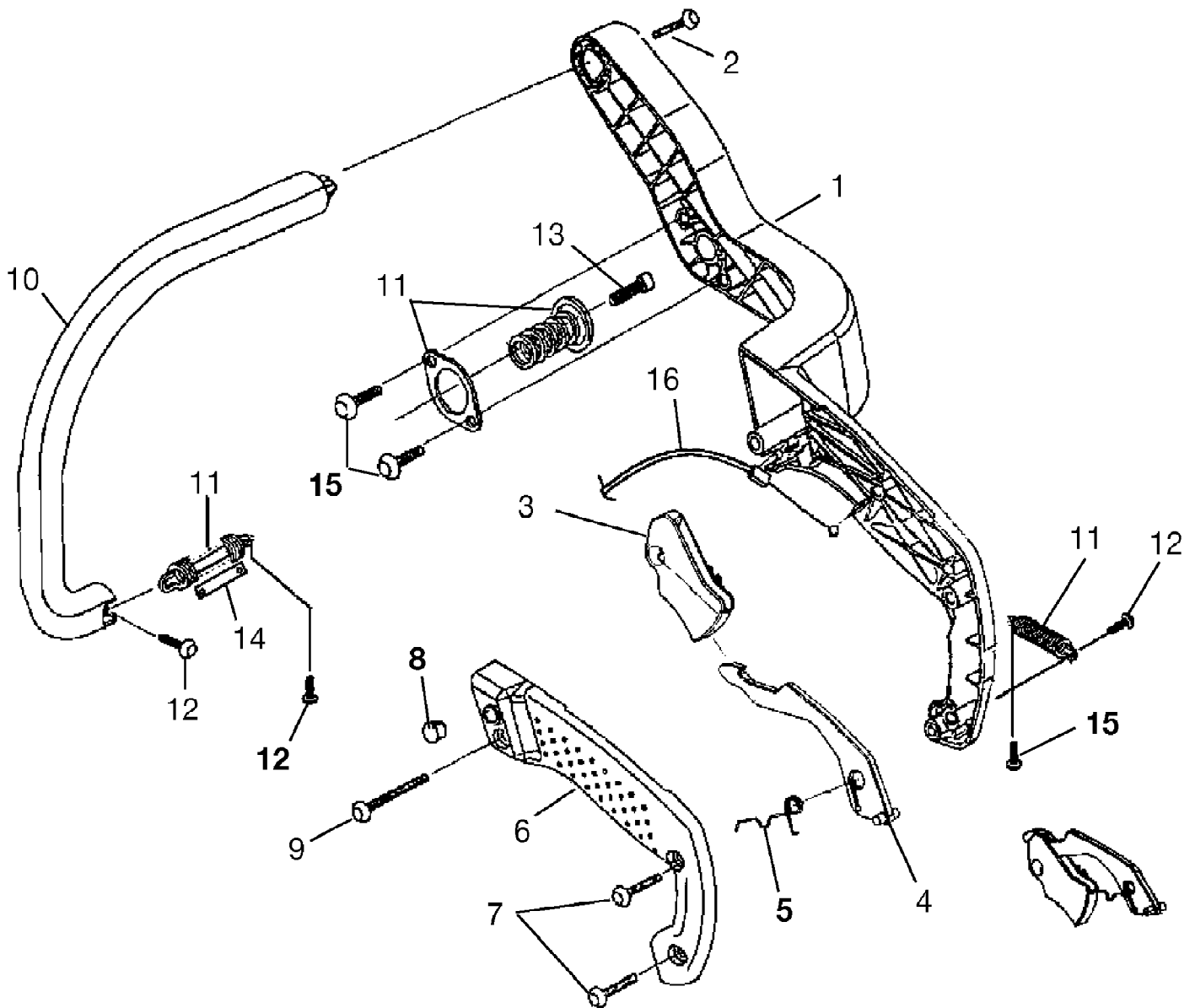
Ref #	Part Number	Qty	S/P/F	Description
1	UP08663A	1	/P	Cylinder Cover Kit (UT10946 & A) w/safety decal (45cc 18") Includes items 1-2
1	UP08709	1		Cylinder Cover Kit (UT10942 & A) w/safety decal (45cc 20") Includes items 1-2
1	UP08711A	1	S/P	Cylinder Cover Kit (UT10927 & A) w/safety decal (38cc 16") Includes items 1-2
2	07597	3	S/P	Screw-Slotted Pan Hd.
3	PS06119	1	/P	Control Panel
4	PA01644	1	/P	Rod, Choke
5	UP07868A	1	S	Throttle Cable
6	PS06163	1	/P	Switch, Rocker
7	07587	2	/P	Grommet - Split
8	PS06164	1	S/P	Primer Bulb
9	0745410	1	S/P	Rubber Tubing (5 1/2")
10	985028001	1	S	Chassis Includes items 10-18
11	07403	2	S/P	Element, Filter (Bronze)
12	03134	2	S/P	Duck Bill Valve
13	06841	1	/P	Oil Outlet Grommet (Also included in UP06602, Oil Pump Kit)
14	PA01037	1	/P	Oil Intake Tube w/Filter (Also included in UP06602, Oil Pump Kit)
15	0745434	1	/P	Rubber Tubing (8 1/2")
16	PS03380	1	/P	Fuel Filter
17	PA01645	1	S/P	Fuel Cap w/ Retainer
18	PA01646	1	S/P	Oil Cap w/ Retainer
19	07598	3	/P	Speed Nut ("U-Type")
20	82527	4	S/P	Screw, Cap-Socket Hd. (10-24 x 2")
21	84008	4	S/P	Washer
22	PS05070	1	/P	Pre Filter (Included in UP08095A, Air Filter Kit)
	UP08669A	1	/P	Decal Kit (45cc 18")
	UP08708A	1	/P	Decal Kit (38cc 16")
	UP08710A	1	/P	Decal Kit (45cc 20")



45cc Chain Saw UT-10946-A
Engine Internal - Oil Pump

Page 10 of 16

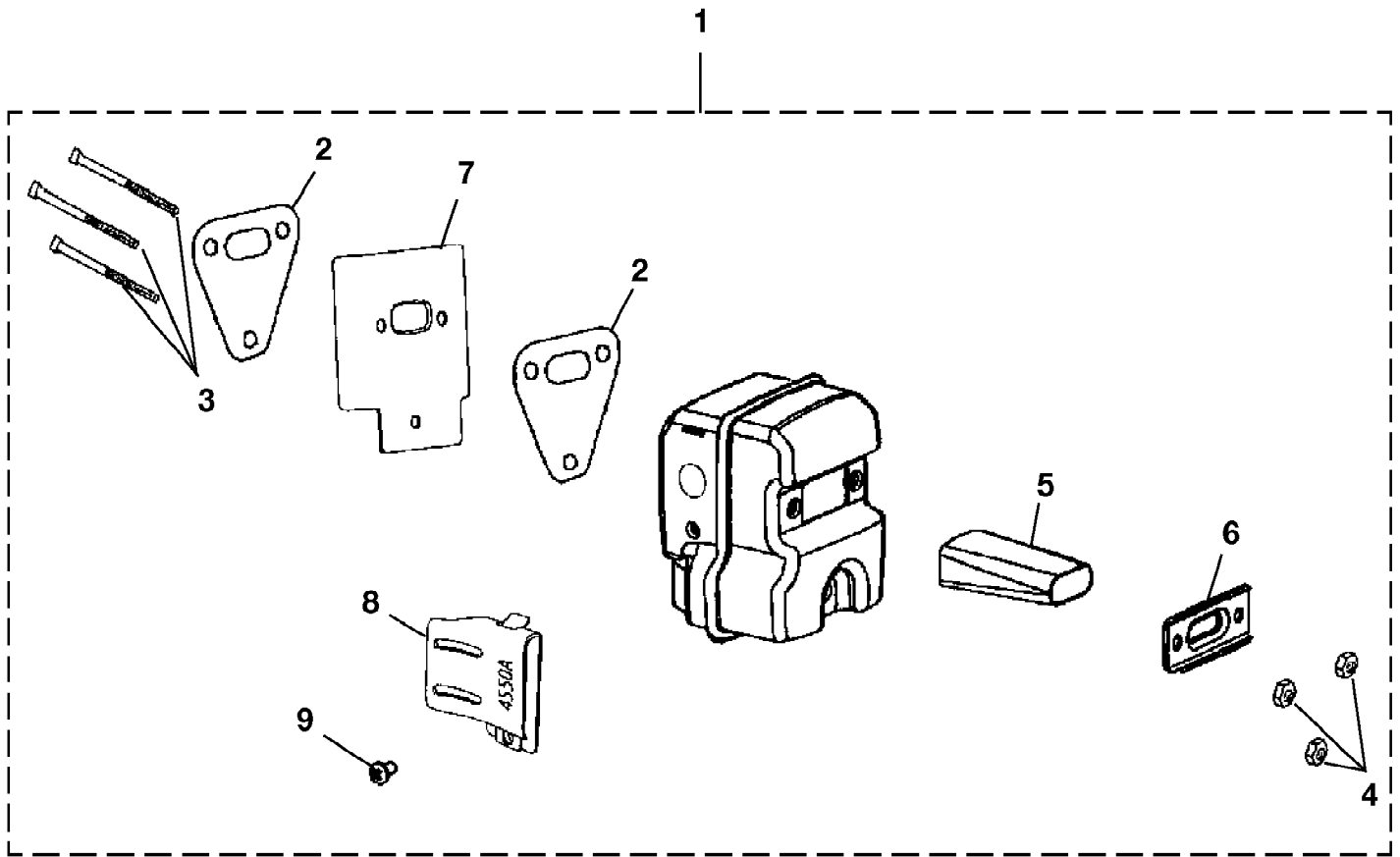
Ref #	Part Number	Qty	S/P/F	Description
1	UP08656A	1	/P	Short Block, Complete (45cc) Includes items 1-13
2	UP08657A	1	/P	Cylinder Kit (45cc) Includes item 2
	06839	1	S/P	Gasket, Muffler (Not Shown)
3	UP00130A	1	/P	Piston & Pin (45cc) Includes items 3-5
4	09082	1	/P	Piston Ring
5	64813	2	/P	Ring, Retaining
6	82527	4	S/P	Screw, Cap-Socket Hd. (10-24 x 2")
7	PS04989	2	/P	Screw, Pan Hd, Plastite (8-32 x 5/8")
8	UP04165A	1	/P	Crankshaft & Rod Assy Includes items 8-9
9	PS04921	1	/P	Bearing, Needle
10	04920	2	S/P	Shaft Seal
11	A04931A	2	S	Bearing & Rubber Case Includes items 11-12
12	04919	2	S/P	Bearing Case
13	84008	4	S/P	Washer
14	PS06216	1	S/P	Spark Plug
15	09097	1	/P	Lower Crankcase
16	UP06602	1	/P	Oil Pump Kit Includes items 16-7
17	06841	1	/P	Grommet, Oil Outlet (Also included in PA01629 Chassis)
18	06847	1	S/P	Left Hand Worm
19	PA01037	1	/P	Oil Intake Tube w/Filter (Also included in PA01629, Chassis)
7	PS04989	2	/P	Screw, Pan Hd, Plastite (8-32 x 5/8")



45cc Chain Saw UT-10946-A
Handles

Page 12 of 16

Ref #	Part Number	Qty	S/P/F	Description
1	UP08098A	1	/P	Rear Handle Kit Includes items 2-9
2	82615	1	/P	Screw-Pan Hd. (12-14 x 1 1/2")
3	PS06110	1	S/P	Trigger, Throttle
4	PS06111	1	/P	Throttle Lock Out
5	PS04914	1	/P	Torsion Spring
6	UP08111A	1	/P	Handle Cover Kit Includes items 6-9
7	82563	2	/P	Screw, Thread Form (10-14 x 3/4")
8	PS04932	1	/P	Plug-Plastic
9	82622	1	/P	Screw, Thread Form (10-14 x 1 3/8")
10	UP07862A	1	/P	Front Handle Kit Includes items 10, 2
2	82615	1	/P	Screw-Pan Hd. (12-14 x 1 1/2")
11	UP08007A	1	/P	Isolator Kit Includes items 11-14
12	82621	3	/P	Screw, Truss Hd. (10-14 x 5/8)
13	82597	1	S/P	Screw, Truss Hd. (10-24 x 5/8")
14	01812A	1	/P	Limitter, Isolator
15	82541	3	/P	Screw, Thread Form (10-14 x 1/2")
16	UP07868A	1	S	Throttle Cable

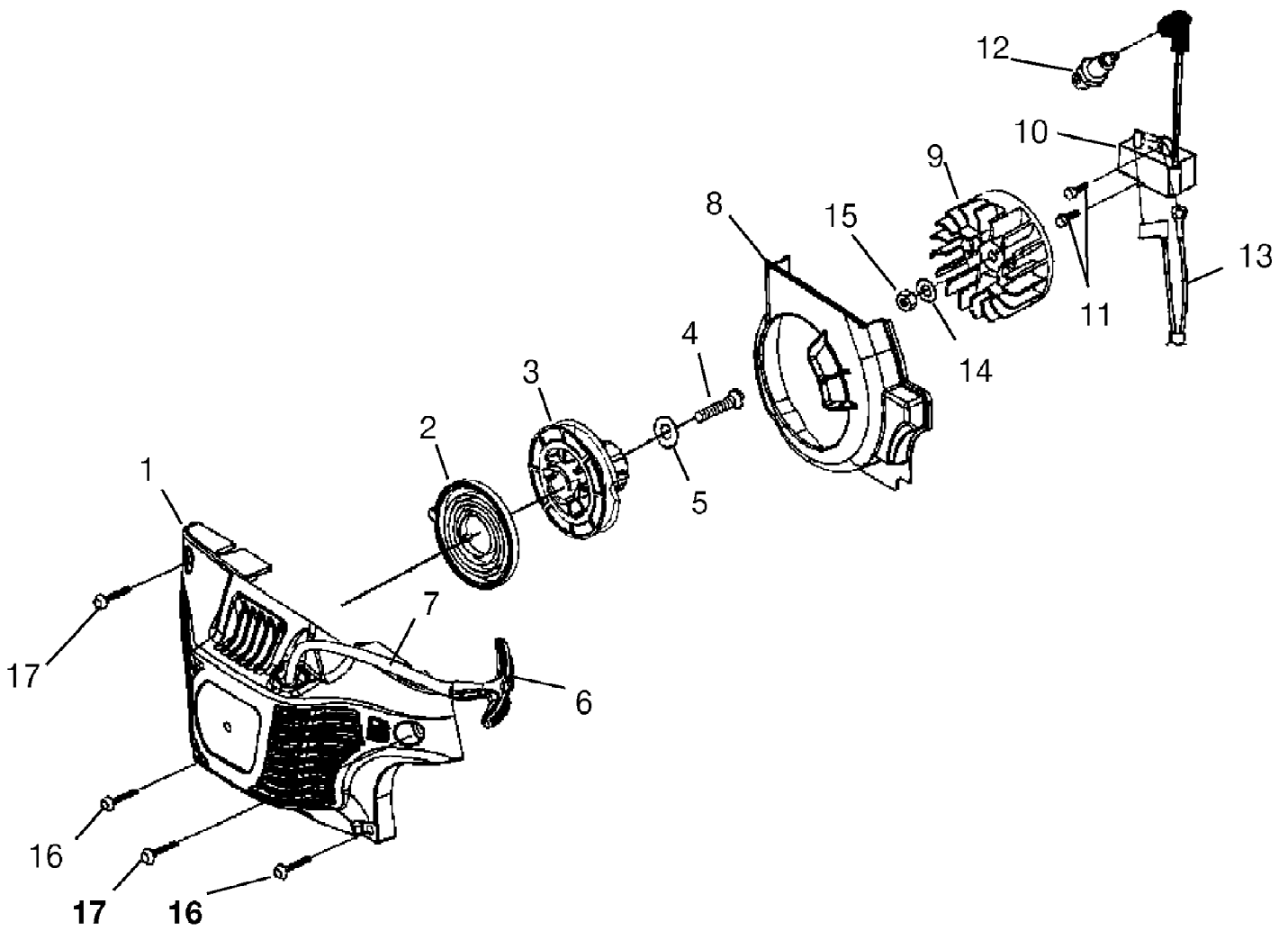


45cc Chain Saw UT-10946-A
Muffler

Page 14 of 16

Ref #	Part Number	Qty	S/P/F	Description
1	UP08654A	1	/P	Muffler Kit Includes items 1-9
2	900848001	2	/P	Muffler Gasket
3	PS04525	3	S/P	Screw-Square Hd.
4	81206	3	S/P	Nut-Locking Hex (10-32)
5	PS04350	1	/P	Screen, Spark
6	PS04147	1	/P	Screen Retainer
7	PS06121	1	/P	Plate-Muffler
8	PS06075	1	/P	Deflector, Muffler
9	95922	1	/P	Screw

45cc Chain Saw UT-10946-A
Starter - Ignition



45cc Chain Saw UT-10946-A
Starter - Ignition

Page 16 of 16

Ref #	Part Number	Qty	S/P/F	Description
1	984687-001	1		Starter Kit Includes items 1-7
2	PA01330	1	S/P	Spring & Container
3	PS03882	1	/P	Pulley, Starter
4	82621	1	/P	Screw, Thread Form (10-14 x 5/8")
5	94062	1	/P	Washer, Retaining
6	PS06114	1	/P	Grip, Starter
7	9789901	1	/P	Rope, Starter 46"
8	PS03984	1	/P	Baffle, Fan Housing
9	UP05850A	1	S	Rotor w/ Starter Pawl
10	U08653A	1		Ignition Kit Includes items 10-11
11	82575	2	S/P	Screw, Thread Form (8-32 x 5/8")
12	PS06216	1	S/P	Spark Plug
13	PA01311	1	/P	Ignition Switc Harness (UT10927, UT10927A, UT10942, UT10942A)
	PA01664	1	S	Ignition Switch Harness (UT10946, UT10946A)
14	PS84065	1	S/P	Washer, Flat
15	985730001	1	S	Nut, Jam
16	82620	2	/P	Screw, Truss Hd. (10-14 x 7/8")
17	82621	2	/P	Screw, Truss Hd. (10-14 x 5/8")