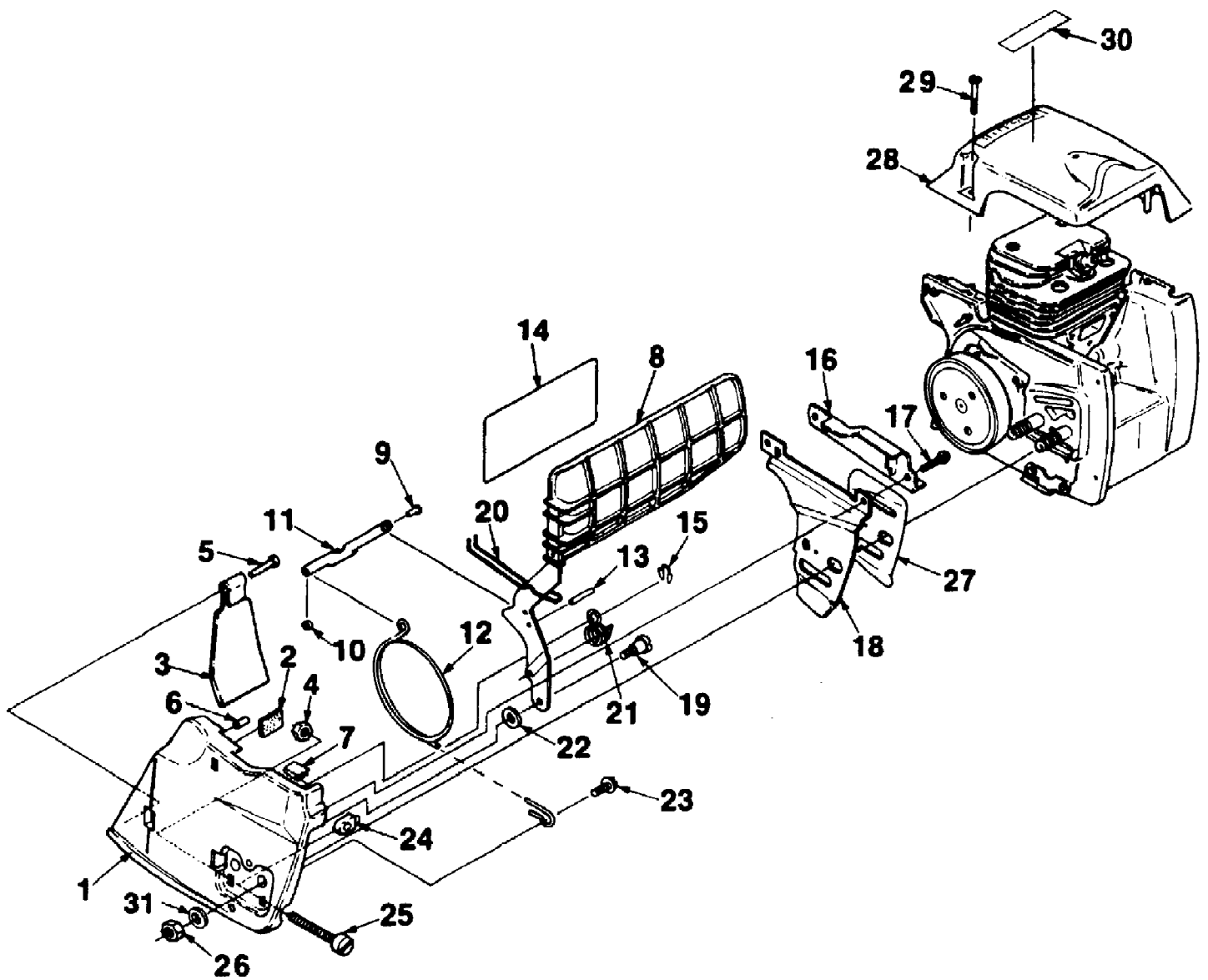


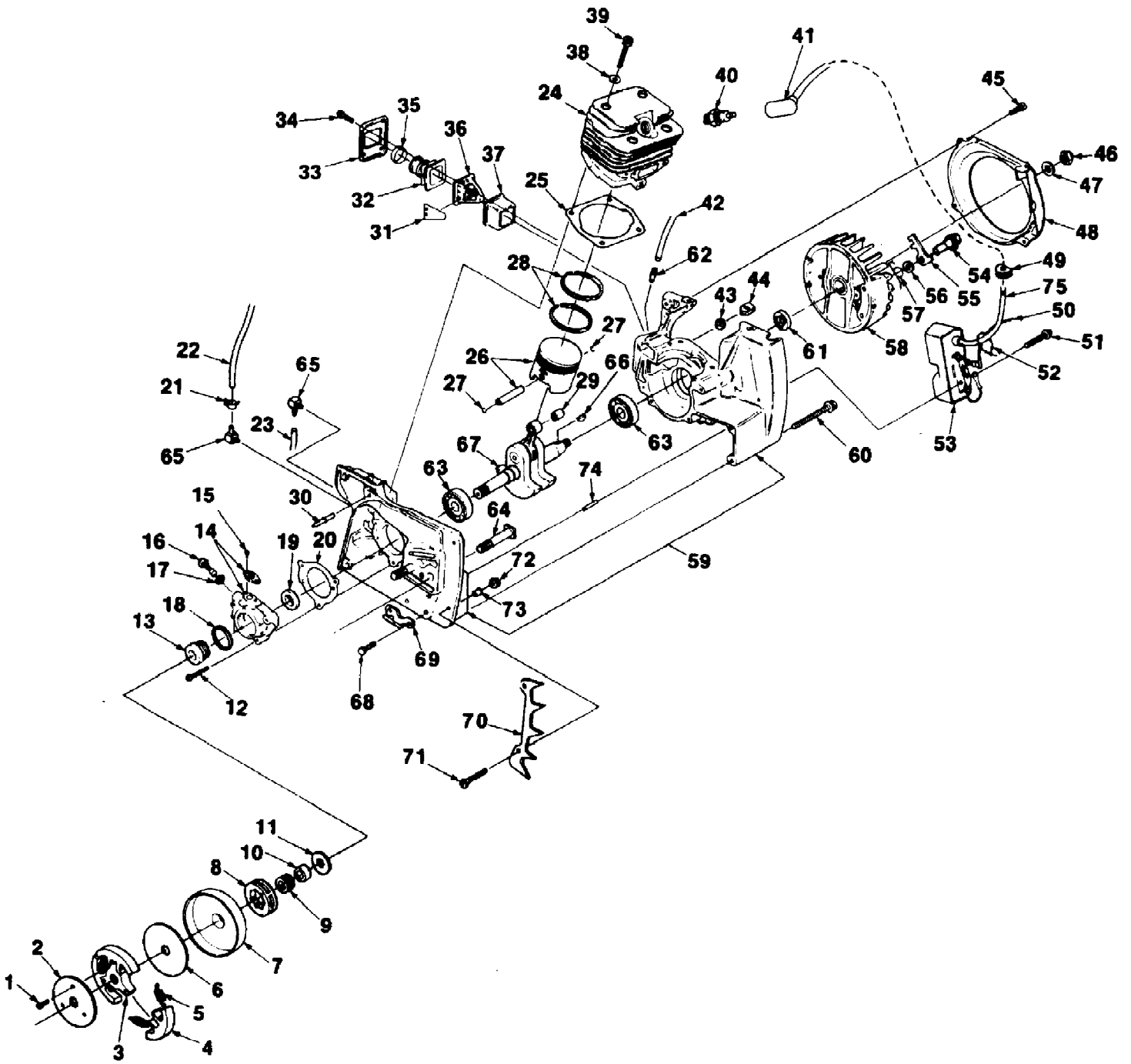
410SL Chain Saw UT-10587-B
Chain Brake



410SL Chain Saw UT-10587-B
Chain Brake

Page 2 of 12

Ref #	Part Number	Qty	S/P/F	Description
	A96941B	1	/P	KIT- Chain brake
1	A97374	1	/P	COVER- Drivecase
2	97587	1		BUMPER- Foam
3	93439	1		SHIELD- Sawdust
4	81204	1	/P	NUT- Hex (1/4-20)
5	85154	1	S	RIVET- Pan hd.
6	95839	1		BUSHING
7	93435	1		CLIP- Spring
8	A93485D	1		GUARD- Hand (w/brake)
9	93436	1		RIVET- Truss hd.
10	93495	1		SPACER
11	93488	1		LINK- Pivot
12	934901	1		BAND- Brake
13	59751	1		PIN- Dowel
14	96990A	1		DECAL
15	93464	1		RING- Retaining
16	93482	1		SHIELD
17	82251	2	S	SCREW- Pan hd. (6-32 x 3/8")
18	93481	1		PLATE- Guide bar (outer)
19	93492	1		SCREW- Shoulder
20	93491	1		SPRING
21	93489	1		SPRING- Torsion
22	93466	1		WASHER- Flat
23	801361	1		SCREW- (1/4-20 x 3/8")
24	93039	1	/P	PIN- Guide bar adjusting
25	63367	1		SCREW- Guide bar adjusting
26	810892	1	/P	NUT
27	70399	1	S	PLATE- Guide bar (inner)
28	A98629	1		COVER- Cylinder
29	93397A	3	/P	SCREW
30	98646	1		DECAL- Ansi
31	95479A	2	/P	WASHER- Flat

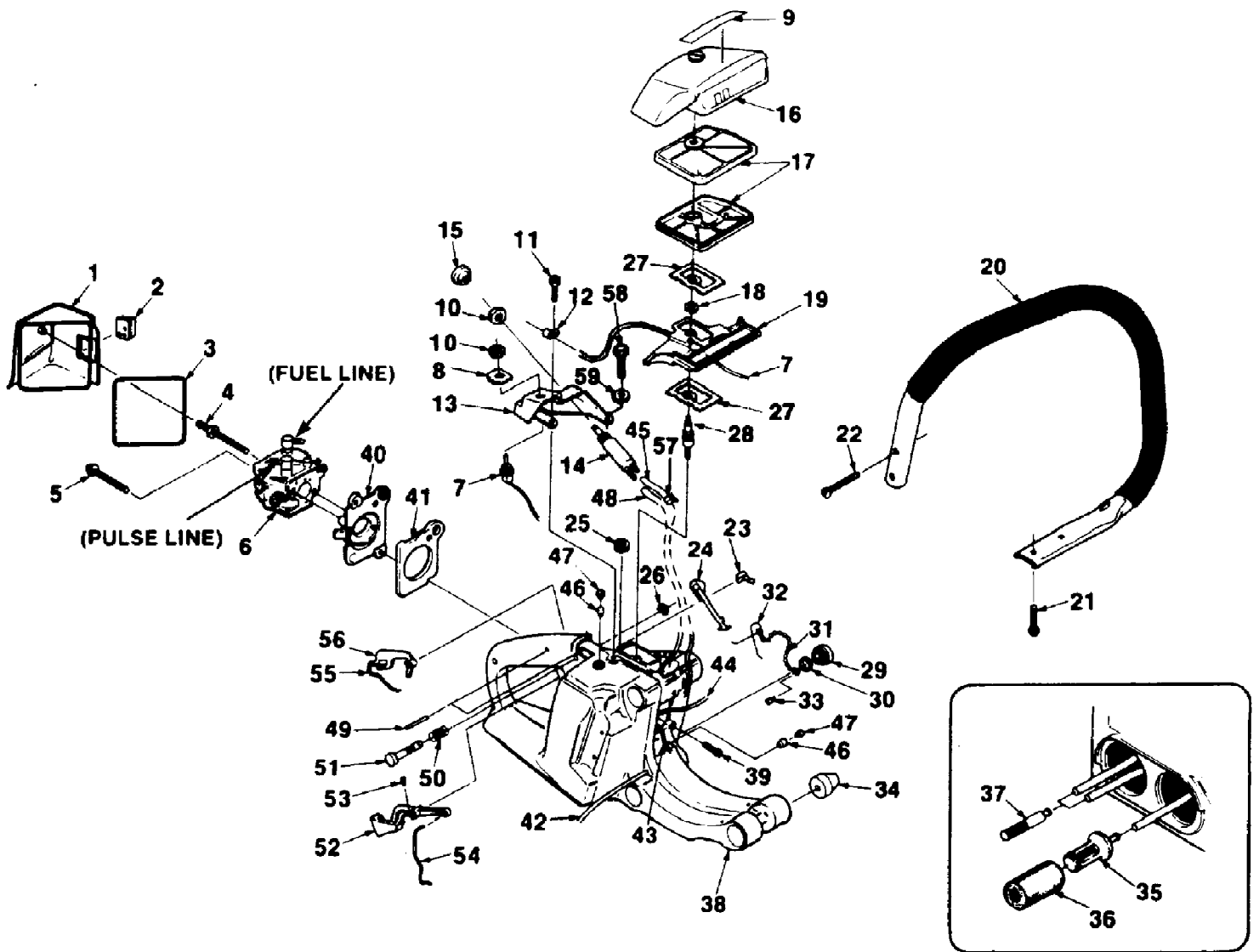


Ref #	Part Number	Qty	S/P/F	Description
1	82253	3	/P	SCREW- Pan hd. (8-32 x 3/8")
2	93628	1	/P	COVER- Clutch
3	93639	1	S	SPIDER- Clutch
4	A93632B	3	S	SHOE- Clutch
5	93814A	3	S	SPRING- Clutch
6	93650	1	/P	WASHER- Thrust
7	A94302	1		DRUM & HUB
8	95058A	1		SPROCKET 3/8" pitch 7 tooth
	A95465	1	F	SPROCKET & DRUM (spur type 3/8" 7T)
9	64124	1	S	BEARING- Needle
10	64129A	1		RACE- Inner
11	63462	1	F	WASHER- Thrust
12	80660	3		SCREW- Fil. hd. (10-24 x 7/8")
13	93336	1		WORM- Oil pump
14	A93319	1		PUMP- Automatic oil
15	80919	2		SCREW- (4-40 x 1/4")
16	64102A	1		SCREW- Cam
17	59736	1		GASKET
18	59926	1	S	SEAL- Felt
19	12282A	1	S	SEAL
20	93329	1		GASKET
21	93426	1	/P	CLAMP
22	9477220	1	S	TUBING 5" (manual delivery)
23	7031023	1	S	TUBING- 6 3/4" (auto oil pick-up)
24	A00901	1		CYLINDER
25	93338	1		GASKET
26	A977942	1		PISTON
27	64813	2	/P	RING- Retaining
28	93216	2	/P	PISTON- Ring
29	97566	1		NEEDLE- Bearing (after lot #E286)
30	96865	1		PIN- Dowel
31	93325	4		REED
32	93327	1	S	CONNECTOR- Carburetor
33	93328	1		RETAINER- Reed valve
34	80582	4		SCREW- Washer hd. (8-32 x 5/8")
35	93323	1		STIFFNER- Connector (for units prior to Lot #C300)
36	93324	1		SEAT- Reed valve
37	93326A	1		RETAINER- Reed
38	12021	4	/P	WASHER- Conical
39	93399	4		SCREW- Soc hd. (10-24 x 1 1/8")
40	96169S	1	S	SPARK PLUG (DJ7Y)
41	A33055	1	/P	TERMINAL- Spark plug
42	9315719	1		TUBING- 4 3/4"
43	81208	4	/P	NUT- Centerlock (10-24)
44	12689A	2		RETAINER- Nut
45	82251	4	S	SCREW- Pan hd. (6-32 x 3/8")
46	81255	1		NUT- Lock (3/8-24)
47	95479A	1	/P	WASHER- Flat
48	93312	1		SCROLL- Air guide
49	58318	1		GROMMET

410SL Chain Saw UT-10587-B
Engine & Peripherals

Page 5 of 12

Ref #	Part Number	Qty	S/P/F	Description
50	A01931	1		SWITCH & LEAD See Handles, Air Filter & Carburator index #7 for breakdown)
51	88052	2	/P	SCREW- Hex Sems (10-24 x 7/8")
52	50729	1		CLAMP- Wire
53	A93414	1	S	MODULE
54	64054C	2	/P	BOLT- Shoulder
55	58756A	2	/P	PAWL- Starter
56	84115	2	S/P	WASHER- Flat
57	011011	2		SPRING- Starter pawl
58	93313	1		ROTOR
59	A93441	1		CRANKCASE
60	88056	5		SCREW- (10-24 x 1 3/4")
61	12282A	1	S	SEAL
62	69833	1	/P	FITTING
63	94621	2	S	BEARING- Ball
64	93310	2		BOLT- Guide bar
65	70204	2	/P	FITTING
66	75078	1		KEY- Woodruff
67	A97567A	1		CRANKSHAFT
	93369	1		BEARING- Needle (prior to lot #E286) (See index #29)
	94621	1	S	BEARING- Ball (see index #63)
	97566	1		BEARING- Needle (long) (see index #29) (after lot #E286)
68	88042	2		SCREW- Hex Sems (8-32 x 1/2")
69	70705	1		STOP- Chain
70	A93445B	1		KIT- Spiked bumper
71	97636	2		SCREW- (10-24 x 1/2")
72	81261	2	/P	NUT
73	97633	2		WASHER- Sealing
74	31062	2	S	PIN- Dowel
75	69326	1	F	LEAD- High tension
	DA70790B	1		SAFE-T-TIP (not shown)
	82335	1	S	SCREW



410SL Chain Saw UT-10587-B
Handles, Air Filter & Carburetor

Page 7 of 12

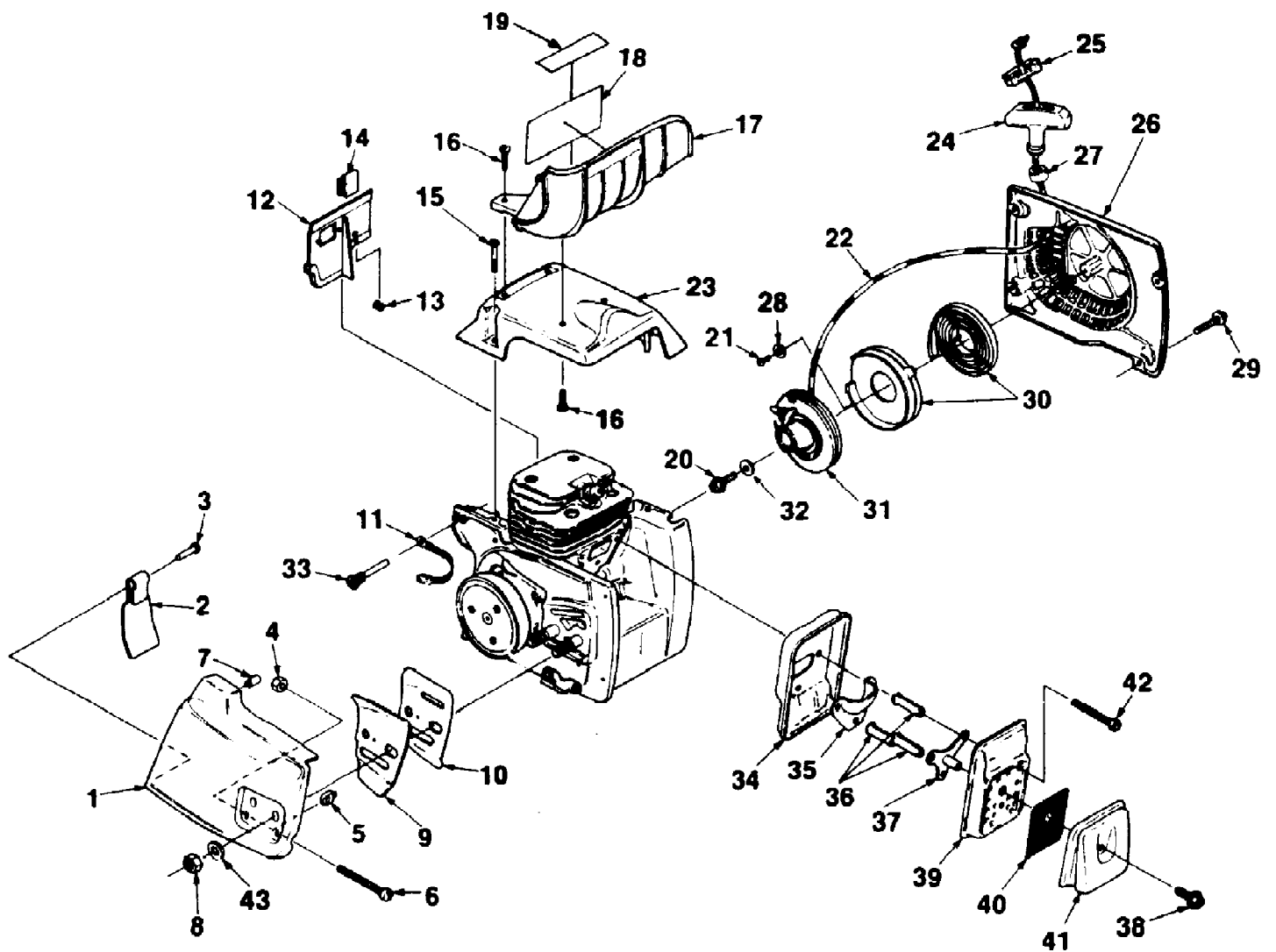
Ref #	Part Number	Qty	S/P/F	Description
1	A934312	1		COVER- Carburetor
2	93470	1		GROMMET (Hi-Lo)
3	01160	1	S	GASKET- Carburetor
4	93468	1		STUD- Shoulder
5	93460	1	/P	SCREW- Hex Sems (10-24 x 17/8")
6	A97102	1	S	CARBURETOR (Walbro)
7	A01931	1		SWITCH & LEAD
8	12793A	1	S	PLATE- Indicating
9	00276	1		LABEL- Warning
10	72084A1	3	S	NUT- Toggle switch
11	88049	1	/P	SCREW- Hex Sems hd. (10-24 x 1/2")
12	96717	1		CLAMP- Wire
13	932151	1		PANEL- Rear
14	A96976	1		PUMP- Manual oil
15	65084	1		BUTTON
16	A97094	1		COVER- Air filter
17	A93401	1		FILTER- Air
18	93389	1		RING- Retaining
19	93364	1		SUPPORT- Filter cover
20	A93409C	1		HANDLE BAR
21	88052	2	/P	SCREW- Hex Sems (10-24 x 7/8")
22	82389	2	/P	SCREW- (10-24 x 1 1/4")
23	93381	1		RETAINER- Choke
24	93372	1		ROD- Choke
25	69889	1	/P	BOOT- Throttle rod
26	93377	1		RING- Retaining
27	97635	2		GASKET FILTER & SUPPORT
28	93382A	1		STUD- Threaded
29	A97799	1	S	CAP- Fuel (red)
	A97798	1	S	CAP- Oil (black)
30	98805	2	S	GASKET- Fuel & Oil Cap
31	69502	2		BEAD- Chain
32	96535	2	/P	RETAINER- Filler cap
33	82256A	2	/P	SCREW- Plastite
34	93368A	6	S	ISOLATOR
35	A97700	1	S	FILTER- Fuel
36	592531A	1	/P	ELEMENT- Filter
37	A59009A	2		FILTER- Oil
38	A93446A	1		HOUSING- Engine
39	80022	3		SCREW- Soc hd. (8-32 x 1/2")
40	976231	1		ADAPTER- Carburetor
41	97622A	1		SPACER- Carburetor
42	7031023	1	S	TUBING- 6 3/4" (auto pick up)
43	9315719	1		TUBING- 4 3/4" (pulse line)
44	9477232	1	S	TUBING- 8 3/4" (fuel line pick up)
45	9477220	1	S	TUBING- 5" (Man. delivery)
46	69451	2	/P	VALVE- Check
47	93410	2	S	FILTER- 11/32"
48	7031036	1	S	TUBING- 9 3/4" (man pick up)
49	68548	2		PIN- Trigger
50	93376	1		SPRING- Compression
51	93375	1		PIN- Throttle lock
52	A93374A	1	/P	TRIGGER

410SL Chain Saw UT-10587-B
 Handles, Air Filter & Carburetor

Page 8 of 12

Ref #	Part Number	Qty	S/P/F	Description
53	82373	1		SCREW- Set (6-32 x 1/4")
54	93371A	1		ROD- Throttle
55	93386	1		SPRING- Flat
56	93385	1	S	LOCK- Trigger
57	93426	1	/P	CLAMP
58	82298	1	S	SCREW- Hex hd. (10-24 x 5/8")
59	83025	1		WASHER- Lock

410SL Chain Saw UT-10587-B
Starter, Muffler & Handguard



410SL Chain Saw UT-10587-B
Starter, Muffler & Handguard

Page 10 of 12

Ref #	Part Number	Qty	S/P/F	Description
1	A96500	1		COVER- Drivecase
2	93439	1		SHIELD- Sawdust
3	85154	1	S	RIVET- Pan hd.
4	81204	1	/P	NUT- Hex (1/4-20)
5	93039	1	/P	PIN- Guide bar adj.
6	63367	1		SCREW- Guide bar adj.
7	95839	1		BUSHING
8	810892	2	/P	NUT-(3/8-16)
9	70400	1	S	PLATE- Guide bar (outer) 410 only
10	70399	1	S	PLATE- Guide bar (inner)
11	A93459A	1		STRAP- Ground
12	A96866	1		DEFLECTOR- Air
13	93357	1		GROMMET
14	96200	1		SPRING- Clip
15	93397A	3	/P	SCREW- Cylinder cover (8-32 x 7/8")
16	82312	4	/P	SCREW- Threaded rolling plastite (#10 x 5/8")
17	A95092	1		GUARD- Hand
18	96990A	1		DECAL- Safety warning
19	98646	1		LABEL- Ansi
20	93417	1	S	SCREW- (#10 x 5/8")
21	82528	2	/P	SCREW- Plastite (6 x 3/8")
22	A00518	1	S	ROPE- Starter (#5) 45"
23	931631	1		COVER- Cylinder (410 only)
24	A69962B	1	/P	GRIP- Starter rope
25	70018A	1	/P	INSERT- Rope retaining
26	A97988A	1	S	HOUSING- Starter
27	67177	1		BUSHING
28	84025	2	/P	WASHER- Flat
29	82298	4	S	SCREW- Hex Sems (10-24 x 5/8")
30	A98067	1	S	SPRING & RETAINER
31	A97990	1	S	STARTER PULLEY & CUP
32	58763	1		WASHER- Retaining
33	93367	6		PIN- Isolator
34	93347	1		BODY- Muffler
35	93349	1		PLATE- Stiffner
36	9398303	3		SPACER- Muffler
37	A95062	1	/P	SPACER & PLATE
38	88048	1	S	SCREW- Hex Sems (10-32 x 3/8")
39	933481A	1		COVER- Muffler
40	93344	1		SCREEN- Spark
41	A93355A	1		CAP- Muffler exhaust
42	94129	3		SCREW- Hex hd. (12-24 x 17/8")
43	95479A	2	/P	WASHER- Flat

ACCESSORIES & TOOLS

WRENCH- Combination SILASTIC	A-24284-A 24823	BIT- Driver torx (Isolator pin) 5/16 shank	24982-02
TUBING- Rubber 10' (fuel & oil)	93112-99	KIT- Winter	A-96708
TUBING- Rubber 10' (pulse line)	93157-99	Includes:	
PAINT- Red	23475	GROMMET	93357
PULLER- Rotor	A-17106-B	CLIP- Spring	96200
Includes:		SPACER- Long bearing tool	97790
STUD- Hex hd.	17108	SPACER- Short bearing tool	97791
SCREW- Hex hd.	80627	ANVIL- Bearing installation	23846-4
RING- Retaining	93972	TOOL- Needle bearing (plug)	23756
WRENCH- Spanner	A-17146	TOOL KIT- Carburetor repair	17789
SHIM- Air gap (black)	24306	Ignition Test Spark Plug	JA-31316-4
COMPOUND- Thread locking	23488-C		
BIT- Driver torx (Isolator pin) 1/4 shank	24982-01		

BAR & CHAIN COMBINATIONS

BAR SIZE & TYPE	BAR NUMBER	CHAIN DESCRIPTION	CHAIN NUMBER
16" PT	PT-16381-G5	38-LE50-59	J1-92059-MB
GW	GW-16001-G5	38-LE50-59	
SP	SP-16381-H5	38-LE50-59	
20" PT	PT-20381-G5	38-LE50-70	J1-92070-MB
GW	GW-20001-G5	38-LE50-70	
SP	SP-20381-H5	38-LE50-70	
24" PT	PT-24381-G5	38-LE50-81	J1-92081-MB
GW	GW-24001-G5	38-LE50-81	
SP	SP-24381-H5	38-LE50-81	
28" SP	SP-28381-H5	38-LE50-92	J1-92092-MB
30" GW	GW-30001-G5	38-LE50-98	J1-92098-MB
31" SP	SP-31381-H5	38-LE50-103	J1-92103-MB

Ref #	Part Number	Qty	S/P/F	Description
	A24284A	1		WRENCH- Combination
	24823	1	S	SILASTIC
	9311299	1	S	TUBING- Rubber 10' (fuel & oil)
	9315799	1		TUBING- Rubber 10' (pulse line)
	23475	1	/P	PAINT- Rod
	A17106B	1		PULLER- Rotor
	17108	1		STUD- Hex hd.
	80627	1		SCREW- Hex hd.
	93972	1	/P	RING- Retaining
	A-17146	1		WRENCH- Spanner
	24306	1	S	SHIM- Air gap (black)
	23488C	1		COMPOUND- Thread locking
	2498201	1		BIT- Driver torx (isolator pin) 1/4 shank
	2498202	1	/P	BIT- Driver torx (isolator pin) 5/16 shank
	A-96708	1		KIT- Winter
	93357	1		GROMMET
	96200	1		CLIP- Spring
	97790	1		SPACER- Long bearing tool
	97791	1		SPACER- Short bearing tool
	238464	1		ANVIL- Bearing Installation
	23756	1		TOOL- Needle bearing (plug)
	17789	1	S	TOOL KIT- Carburetor repair
	JA313164	1		Ignition Test Spark Plug
	J192059MB	1		16" PT - PT-16381-G5 - 38-LE50-59
		1		GW - GW-16001-G5 - 38-LE50-59
		1		SP - SP-16381-H5 - 38-LE50-59
	J192070MB	1		20" PT - PT-20381-G5 - 38-LE50-70
		1		GW - GW-20001-G5 - 38-LE50-70
		1		SP - SP-20381-H5 - 38-LE50-70
	J192081MB	1		24" PT - PT-24381-G5 - 38-LE50-81
		1		GW - GW-24001-G5 - 38-LE50-81
		1		SP - SP-24381-H5 - 38-LE50-81
	J192092MB	1		28" SP - SP-28381-H5 - 38-LE50-92
	J192098MB	1		30" GW - GW-30001-G5 - 38-LE50-98
	J192103MB	1		31" SP - SP-31381-H5 - 38-LE50-103