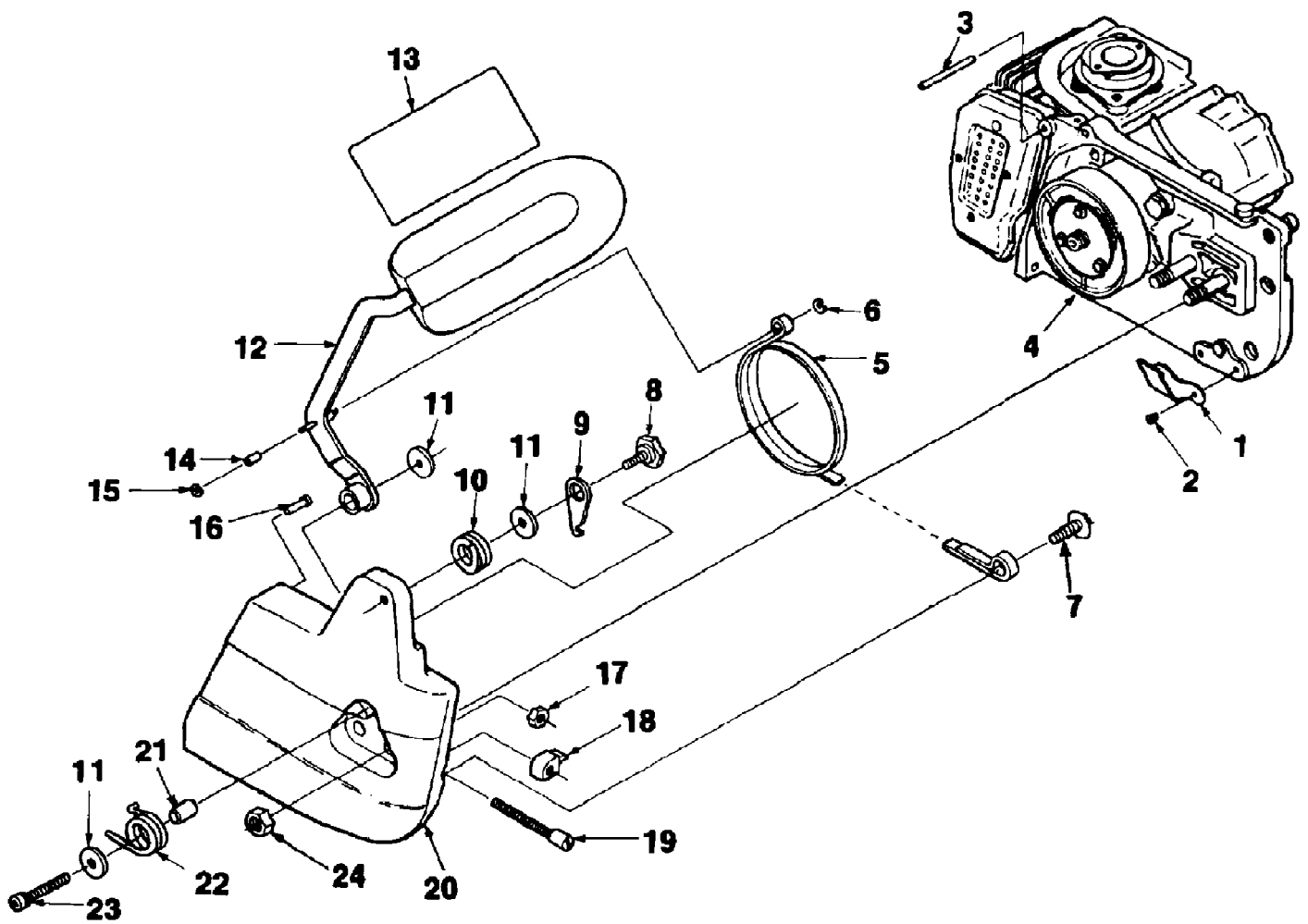


35SL Chain Saw UT-10670
Carburetor

Ref #	Part Number	Qty	S/P/F	Description
	A97801	1	/P	Carburetor HDC-39A
1	93205A	1		Repair Kit (Incl. 1-17)
2	93205A	1		Repair Kit (Incl. 1-17)
3	93205A	1		Repair Kit (Incl. 1-17)
4	93205A	1		Repair Kit (Incl. 1-17)
5	93205A	1		Repair Kit (Incl. 1-17)
6	93205A	1		Repair Kit (Incl. 1-17)
7	93205A	1		Repair Kit (Incl. 1-17)
8	93205A	1		Repair Kit (Incl. 1-17)
9	93205A	1		Repair Kit (Incl. 1-17)
10	93205A	1		Repair Kit (Incl. 1-17)
11	93205A	1		Repair Kit (Incl. 1-17)
12	93205A	1		Repair Kit (Incl. 1-17)
13	93205A	1		Repair Kit (Incl. 1-17)
13	98631	1	S	Gasket/Diaphragm kit (Incl. 13-17)
14	93205A	1		Repair Kit (Incl. 1-17)
14	98631	1	S	Gasket/Diaphragm kit (Incl. 13-17)
15	93205A	1		Repair Kit (Incl. 1-17)
15	98631	1	S	Gasket/Diaphragm kit (Incl. 13-17)
16	93205A	1		Repair Kit (Incl. 1-17)
16	98631	1	S	Gasket/Diaphragm kit (Incl. 13-17)
17	93205A	1		Repair Kit (Incl. 1-17)
17	98631	1	S	Gasket/Diaphragm kit (Incl. 13-17)
18	93910B	1		Check Valve Repair Kit (Incl. 18)

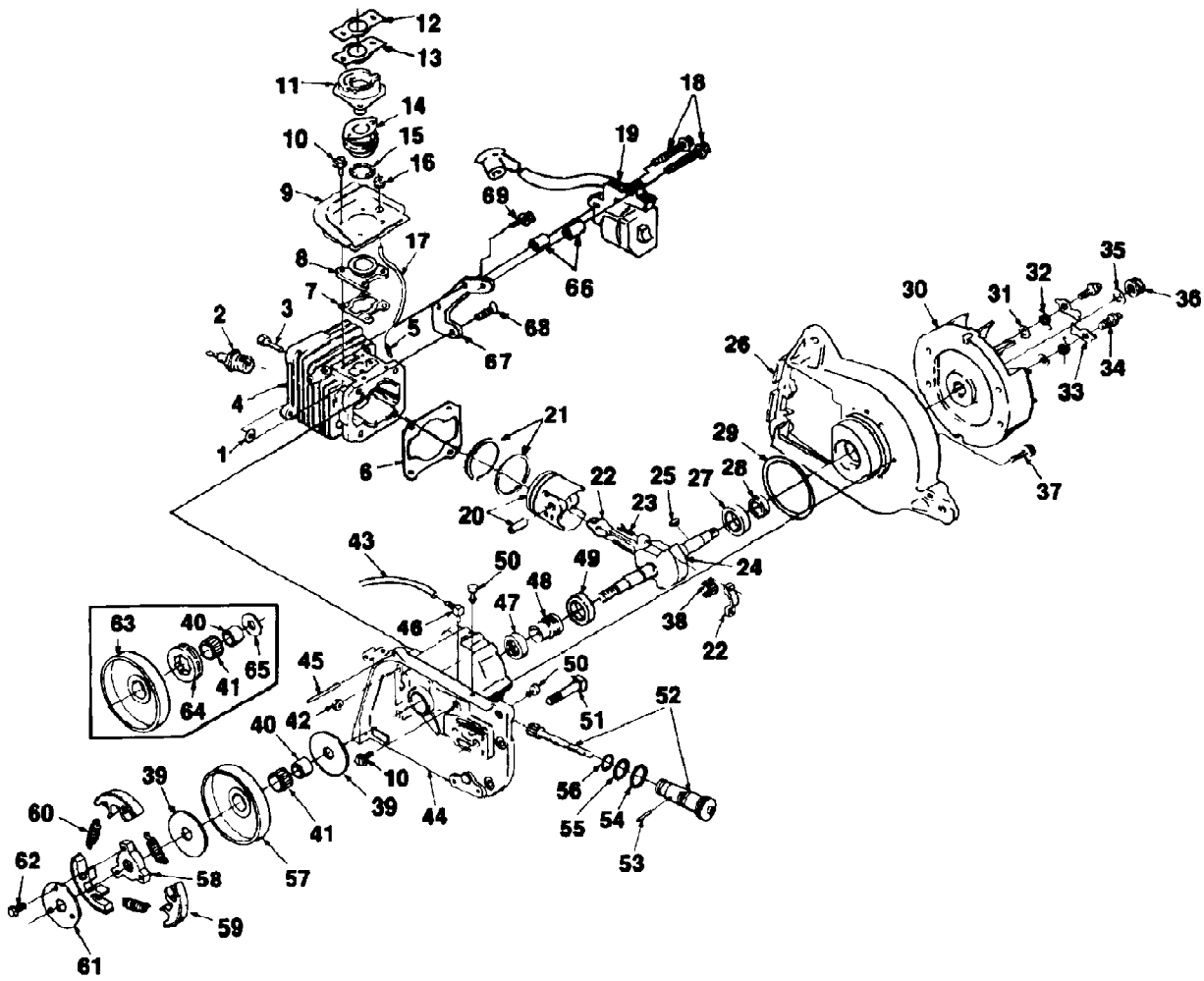


35SL Chain Saw UT-10670
Chain Brake

Page 4 of 14

Ref #	Part Number	Qty	S/P/F	Description
1	70705	1		STOP- Chain
2	88042	1		SCREW- Hex hd. sems (8-32 x 1/2")
	A93693A	1	S	KIT- Chain brake Includes Items 3 - 23
3	96865	1		PIN- Dowel
4	A936302	1		DRUM & HUB
5	A94561	1		BRAKEBAND Includes Item 6
6	69599	1	/P	"E" RING
7	82258	1		SCREW- Pan hd. (1/4-20 x 5/8")
8	93773	1		SCREW- Shoulder
9	93602A	1		LEVER- Locking
10	93600B	1		SPRING- Locking lever
11	93282	3	S	WASHER
12	A97221A	1		LEVER- Brake w/guard Includes Item 13 - 15
13	02661	1		DECAL
14	93625	1		BEARING- Roller
15	70925	1		"E" RING
16	95839	1		BUSHING
17	81206	1	S/P	NUT- Centerlock
18	651121	1	S	PIN- Guide bar adjusting
19	93962	1	S	SCREW- Guide bar adjusting
20	A04241	1		COVER- Drivecase
21	93296	1		SLEEVE- Lever
22	93603	1		SPRING- Brake lever
23	804281	1	S	SCREW- Soc cap hd.
24	81196	2	S/P	NUT- Hex 5/16-18

35SL Chain Saw UT-10670
Engine Internals, Ignition & Clutch



35SL Chain Saw UT-10670
Engine Internals, Ignition & Clutch

Page 6 of 14

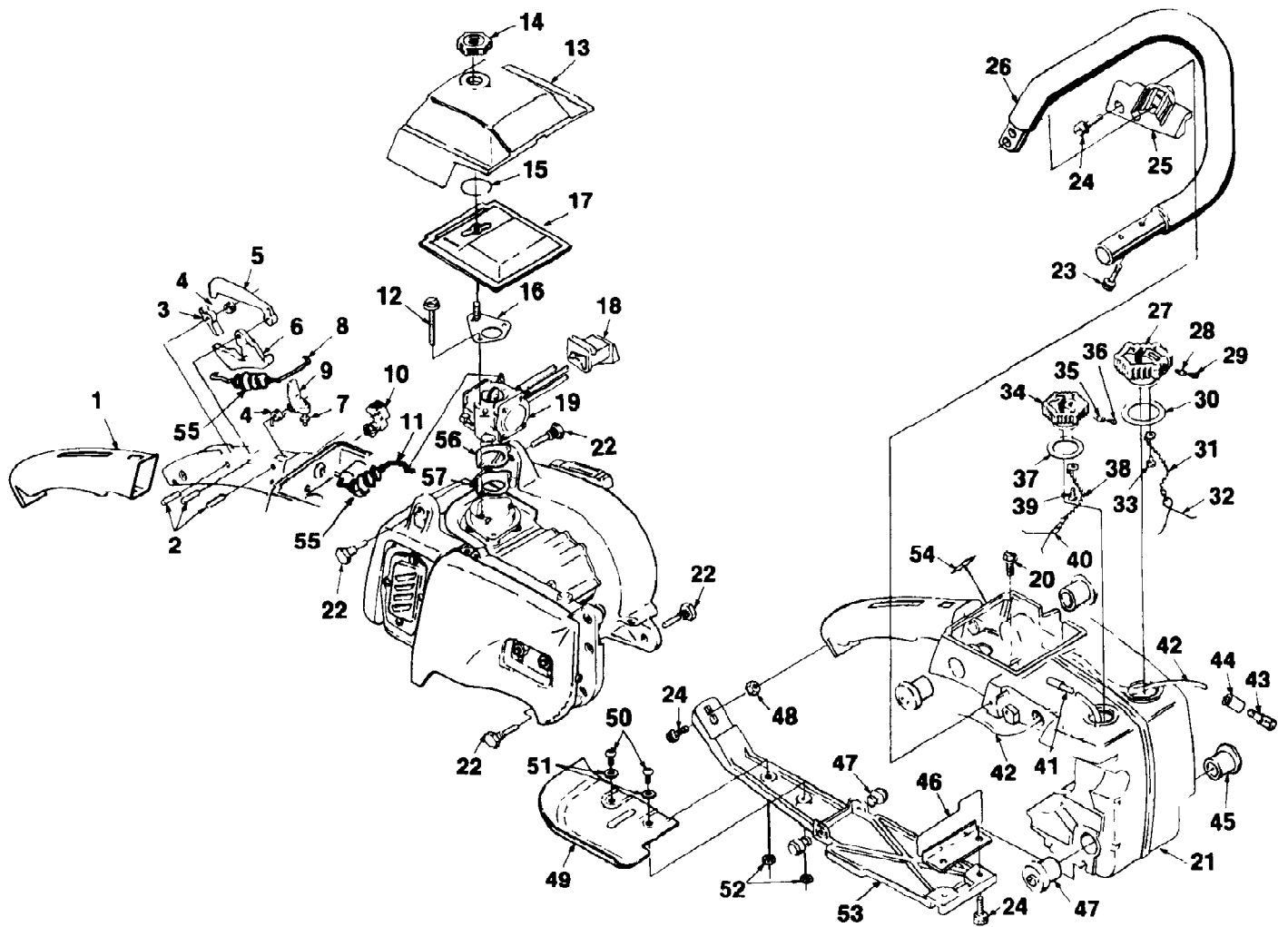
Ref #	Part Number	Qty	S/P/F	Description
1	12021	4	/P	WASHER
2	63547S	1	/P	SPARK PLUG (Champ. CJ6)
	78270	1		SPARK PLUG (RCJ-6) (Int'l Only)
3	82262	4		SCREW- Soc. hd. cap (#10-24 x 7/8")
4	A02677	1	/P	CYLINDER Includes Item 5
5	69833	1	/P	FITTING
6	78284	1		GASKET- Cylinder
7	70714	1		GASKET- Intake adaptor
8	70715	1	/P	MANIFOLD- Intake
9	121611B	1		DEFLECTOR- Air (Intake)
10	88042	5		SCREW- w/Washer (8-32 x 1/2")
11	A70246B	1		FLANGE- Carburetor connector Includes Item 12
12	A70923A	1	/P	BUSHING & GASKET ASSY. Includes Item 13
13	70743A	1		GASKET
14	12048C	1		CONNECTOR- Carburetor
15	12291	1	S	SPRING- Garter
16	62740	1		GROMMET
17	9311222	1		LINE- Pulse (5 1/2")
18	88054	2	S	SCREW- Hex sems (10-24 x 1.125")
19	A94361A	1		MODULE & CORE
20	A12257A	1		PISTON & PIN Includes Item 21
21	12040	2	/P	PISTON RING
22	A120681	1		ROD- Connecting Includes Item 23
23	69919	2	/P	SCREW- Soc. hd (8-32 x 9/16")
24	120371	1		CRANKSHAFT
25	75078	1		KEY- Woodruff
26	A12204A	1		PLATE- Back Includes Item 27, 28
27	63867	1		BEARING- Roller
28	12282A	1	S	SEAL
29	58785	1		"O" RING
30	12101AS	1		ROTOR
31	83046	2		WASHER- Lock (#10)
32	12055	2		SPRING- Starter pawl
33	12056	1		PAWL- Starter
34	65109	1		STUD- Starter pawl
35	95479A	1	/P	WASHER- (3/8")
36	81255	5		NUT- (3/8-24)
37	88051	1		SCREW- Hex sems (10-24 x 3/4")
38	A12913	1		ROLLERS- Needle (Set of 25)
39	63860	2		WASHER- Thrust
40	65985B	1		RACE- Inner
41	64124	1	S	BEARING- Needle
42	81208	4	/P	NUT- Centerlock (#10-24)
43	9311242	1		TUBING- Rubber (Oil) 10 1/2"
44	A79311AT	1		CRANKCASE Includes Items 45 - 51
45	96865	1		PIN- Dowel
46	94327	1		FITTING- Oil line
47	70729	1		SEAL- (Double lip)
48	12071	1		WORM GEAR
49	63867	1		BEARING- Roller

35SL Chain Saw UT-10670
 Engine Internals, Ignition & Clutch

Page 7 of 14

Ref #	Part Number	Qty	S/P/F	Description
50	12096	3	/P	BUMPER
51	58753	2		BOLT- Guide bar (5/16")
52	A70962	1		PUMP- Automatic oil Includes 53 - 56
53	70920	1		PIN- Pump
54	70921	1		"O" RING
55	12853	1		"O" RING
56	12095	1		"O" RING
57	A954602	1	/P	SPROCKET & DRUM (7T, 3/8P)
58	96448	1		SPIDER- Clutch
59	A96447A	3		SHOE- Clutch
60	96451	3	S	SPRING- Extension
61	96449	1		COVER- Clutch
62	88041	1		SCREW- Hex sems (8-32 x 3/8")
63	A936302	1		DRUM & HUB
64	95058A	1		SPROCKET & RIM (7T, 3/8P)
65	588331	1	S	WASHER- Thrust
66	79331	1		SPACER- Module
67	793321	1		PLATE- Module mounting
68	97605	1	/P	SCREW- Flat hd. torx
69	80983	1	S	SCREW- Hex (8-32 x 1/2")

35SL Chain Saw UT-10670
Intake, Handles & Tank



35SL Chain Saw UT-10670
Intake, Handles & Tank

Page 9 of 14

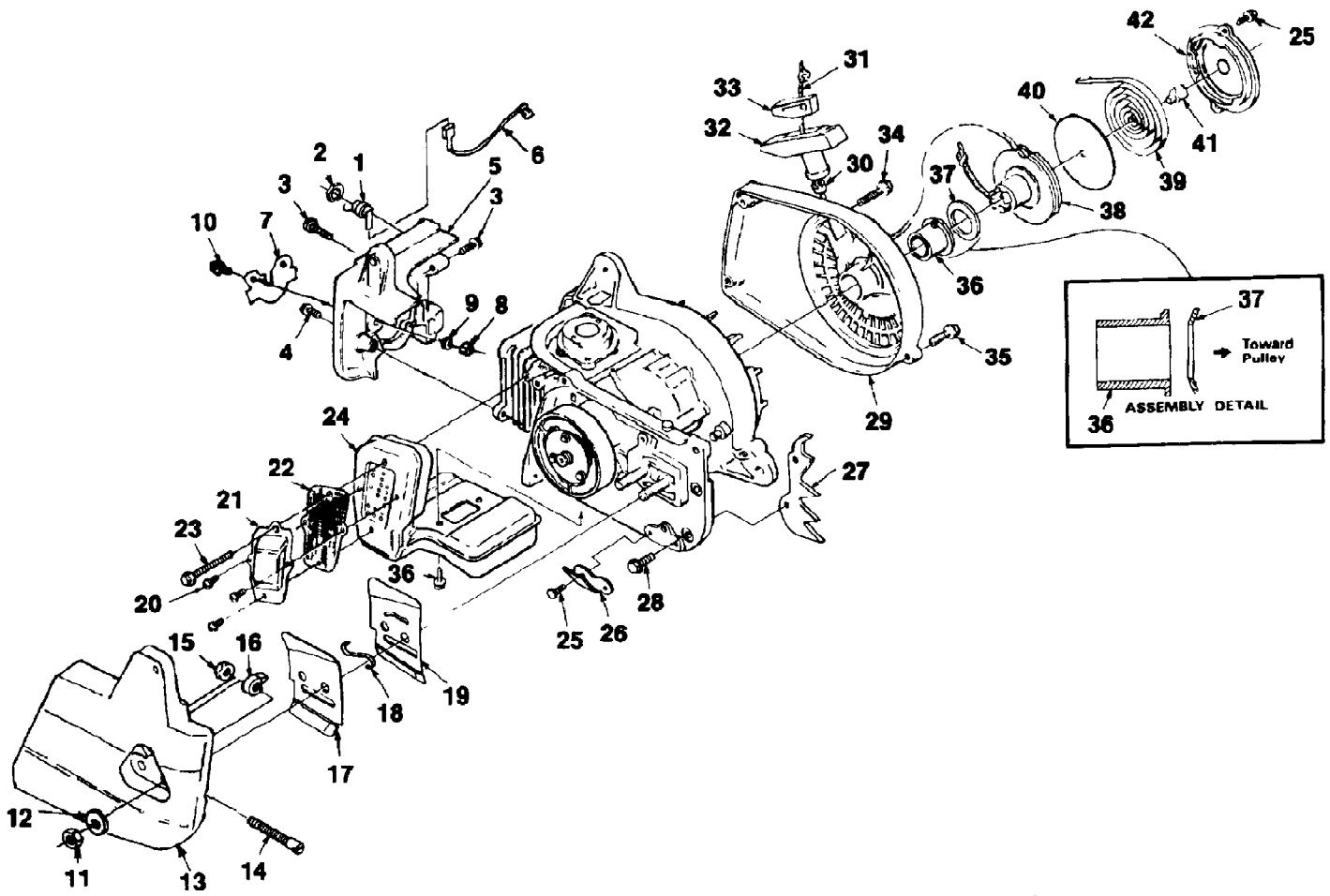
Ref #	Part Number	Qty	S/P/F	Description
1	12049	1		GRIP-Throttle handle
2	70253	3		PIN-Dowel
3	12092	1		LEVER-Trigger lock
4	12051	2	/P	SPRING-Torsion
5	12093	1		LOCK-Trigger
6	A12966	1		KIT-Trigger & Screw Includes Item 7
7	120941A	1		SCREW-Trigger latch
8	120781A	1		ROD-Throttle
9	120911A	1		LATCH-Trigger
10	94765	1		KNOB-Choke
11	94977	1		ROD-Choke
12	93460	2	/P	SCREW-Hex sems (10-24 x 1 3/4")
13	704256	1		AIR FILTER COVER
14	A676392	1		NUT-Filter cover mounting
15	58319A	1	/P	RING-Retaining
16	A93240	1		BRACKET-Mounting cover
17	78209	1		FILTER-Air
18	12054	1		GROMMET-HI-LO
19	A97801	1	/P	CARBURETOR-(HDC-39-A)
20	88050	2	S	SCREW-Hex sems (10-24 x 5/16")
21	A79357A	1		HOUSING-Engine
	A70624A	1		SET-Isolator pin Includes Item 22
22	12100B	4		PIN-Isolator
23	82262	4		SCREW-Soc. hd. (10-24 x 7/8")
24	88051	3		SCREW-Hex sems (10-24 x 3/4")
25	120592A	1		BRACKET-Handle bar
26	A12107A	1		HANDLEBAR
27	A69500A	1	S	CAP-Fuel filler Includes Items 28 - 33
28	69451	1	/P	VALVE-Check (oval duckbill)
29	69454	1	/P	FILTER-Filler cap
30	69501	1	/P	GASKET-Fuel cap
31	69502	1		CHAIN-Bead
32	96535	1	/P	RETAINER
33	82256A	1	/P	SCREW-Pan hd. plastite (6 x 1/4")
34	A12222	1		CAP-Oil filler Includes Items 35 - 40
35	69451	1	/P	VALVE-Check (oval duckbill)
36	69454	1	/P	FILTER-Filler cap
37	12126	1		GASKET-Oil cap
38	69502	1		CHAIN-Bead
39	82256A	1	/P	SCREW-Pan hd. plastite (6 x 1/4")
40	96535	1	/P	RETAINER-Cap
41	A59009A	1		FINDER-Oil
42	9311242	2		TUBING-Rubber (10 1/2")
43	A69923	1	S	FUEL PICK-UP Includes Item 44
44	64083	1		FILTER-Felt
45	A70623	1		SET-Isolator (soft) (set of four)
	A70622	1	/P	SET-Isolator (hard) (set of four) (Alternate)
46	A12153	1		DEFLECTOR-Air (exhaust)
47	12096	2	/P	BUMPER
48	70810	1	S	NUT-Hex (10-24)
49	A12267B	1		KIT-Right hand guard (optional) Includes Items 50 - 53
50	82275	2		SCREW-Hex hd. cap

35SL Chain Saw UT-10670
Intake, Handles & Tank

Page 10 of 14

Ref #	Part Number	Qty	S/P/F	Description
51	84003	2	/P	WASHER
52	81208	2	/P	NUT-Center lock (#10-24)
53	120422	1		BRACE-Handle
54	79304	1		DECAL-Choke
55	58348	2		GROMMET
56	A70923A	1	/P	BUSHING Includes 57
57	70743A	1		GASKET

35SL Chain Saw UT-10670
Starter & Muffler



Ref #	Part Number	Qty	S/P/F	Description
1	A576503B	1	/P	SWITCH-Grounding Includes Item 2
2	720841A	1		NUT
3	88051	4		SCREW-Hex sems (10-24 x 3/4")
4	88054	3	S	SCREW-(10-24 x 1 1/4")
5	947792	1		SHIELD-Cylinder
6	A94850	1	/P	LEAD-Ground
7	792951	1		SHIELD-Insert
8	81223	2		NUT-Centerlock (8-32)
9	84025	2	/P	WASHER-Flat (#8)
10	88041	2		SCREW-Hex sems (8-32 x 3/8")
11	81196	2	S/P	NUT-Hex (5/16-18)
12	84032	2	/P	WASHER-Flat (5/16")
13	A939302	1		COVER-Drivecase Includes Items 14 - 16
14	93962	1	S	SCREW-Guide bar adjusting
15	81206	1	S/P	NUT-Centerlock (10-32)
16	651121	1	S	PIN-Guide bar adjusting
	A70688	1		KIT-Guide bar plate Includes Items 17 - 19
17	70398	1	S	PLATE-Guide bar (Outer)
18	69966	1	S	SPRING-Guide bar
19	70397	1		PLATE-Guide bar (Inner)
20	82370	3		SCREW
21	947951	1		PLATE-Exhaust
22	94797	1		SPARK ARRESTOR SCREEN
23	93460	1	/P	SCREW
24	A947851	1		MUFFLER
25	88042	2		SCREW
26	70705	1		STOP-Chain
27	A12272D	1		BUMPER-Spiked (accessory) Includes Item 28
28	88048	2	S	SCREW-Hex hd. (10-24 x 3/8")
29	A12114A	1		HOUSING-Rewind starter Includes Item 30
30	65185	1		BUSHING-Rope
31	94564A	1		ROPE-Starter (38" #4)
32	A69962B	1	/P	GRIP-Starter rope Includes Item 33
33	70018A	1	/P	INSERT-Rope retaining
34	88055	1		SCREW-Hex sems (10-24 x 1 3/8")
35	82218	2	/P	SCREW-w/Washer (10-24 x 1 1/8")
36	12053	1		BUSHING-Starter
37	70842	1		WASHER-Spring
38	A12214A	1	/P	PULLEY & CUP
39	65107	1		Spring-Rewind
40	12052	1		SPRING-Shield
41	65102	1		LOCK-Spring
42	A02566	1	/P	STARTER COVER & DECAL KIT

35SL Chain Saw UT-10670
Tools & Accessories

Page 13 of 14

TOOLS

ANVIL- Bearing removal (Crankcase)	23846-1
KEY- Hex 5/32 (Cyl. & Handle bar)	22128
KEY- Hex 9/64	23528
PULLER- Rotor	A-24290
Includes:	
SCREW- Rotor removal	24301
RING- Retaining	67912
SHIM- Pink plastic (.015") (air gap)	22486
SLEEVE- Seal assembly (Crankcase & Backplate)	23759
SLEEVE- Seal removal (Crankcase)	23136-6A
COMBINATION WRENCH	A-24824
TOOL- (3 shoe-clutch)	A-17146
GREASE- Multi use	18453

ACCESSORIES

ADHESIVE- Zip grip	70627
BUMPER- Spiked	DA-12272-E
KIT- Sprocket repair	A-69496-B
RUBBER- Tubing 10'	93112-99
ROPE- Starter #4 250Ft. reel	68848
SPRAY CAN- Red	23475

35SL Chain Saw UT-10670
Tools & Accessories

Page 14 of 14

Ref #	Part Number	Qty	S/P/F	Description
238461	238461	1		ANVIL - Bearing removal (Crankcase)
22126	22126	1		KEY - Hex 5132 (Cyl. & Handle bar)
23528	23528	1		KEY - Hex 9/64
A24290	A24290	1	/P	PULLER - Rotor
24301	24301	1		SCREW - Rotor removal
67912	67912	1	/P	RING - Retaining
22486	22486	1		SHIM - Pink plastic (.015") (air gap)
23759	23759	1		SLEEVE - Seal assembly (Crankcase & Backplate)
231366A	231366A	1		SLEEVE - Seal removal (Crankcase)
A24824	A24824	1	S	COMBINATION WRENCH
A17146	A17146	1	S	TOOL - (3 shoe-clutch)
18453	18453	1	/P	GREASE - Multi use
70627	70627	1		ADHESIVE - Zip grip
DA12272E	DA12272E	1		BUMPER - Spiked
A69496B	A69496B	1		KIT - Sprocket repair
9311299	9311299	1	S	RUBBER - Tubing 10'
68848	68848	1	/P	ROPE - Starter #4 250 Ft. reel
23475	23475	1	/P	SPRAY CAN - Red