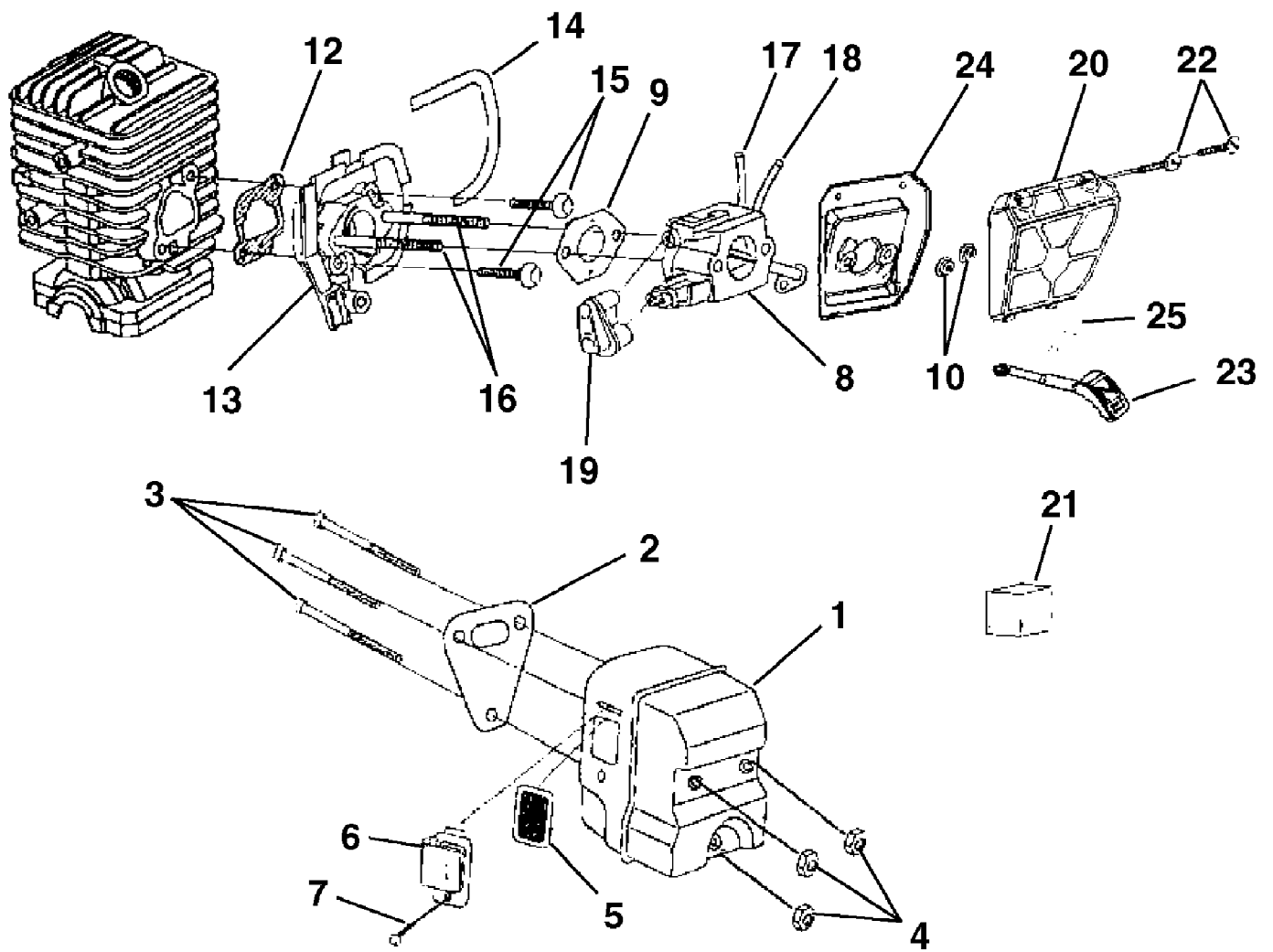


No
Diagram
Available

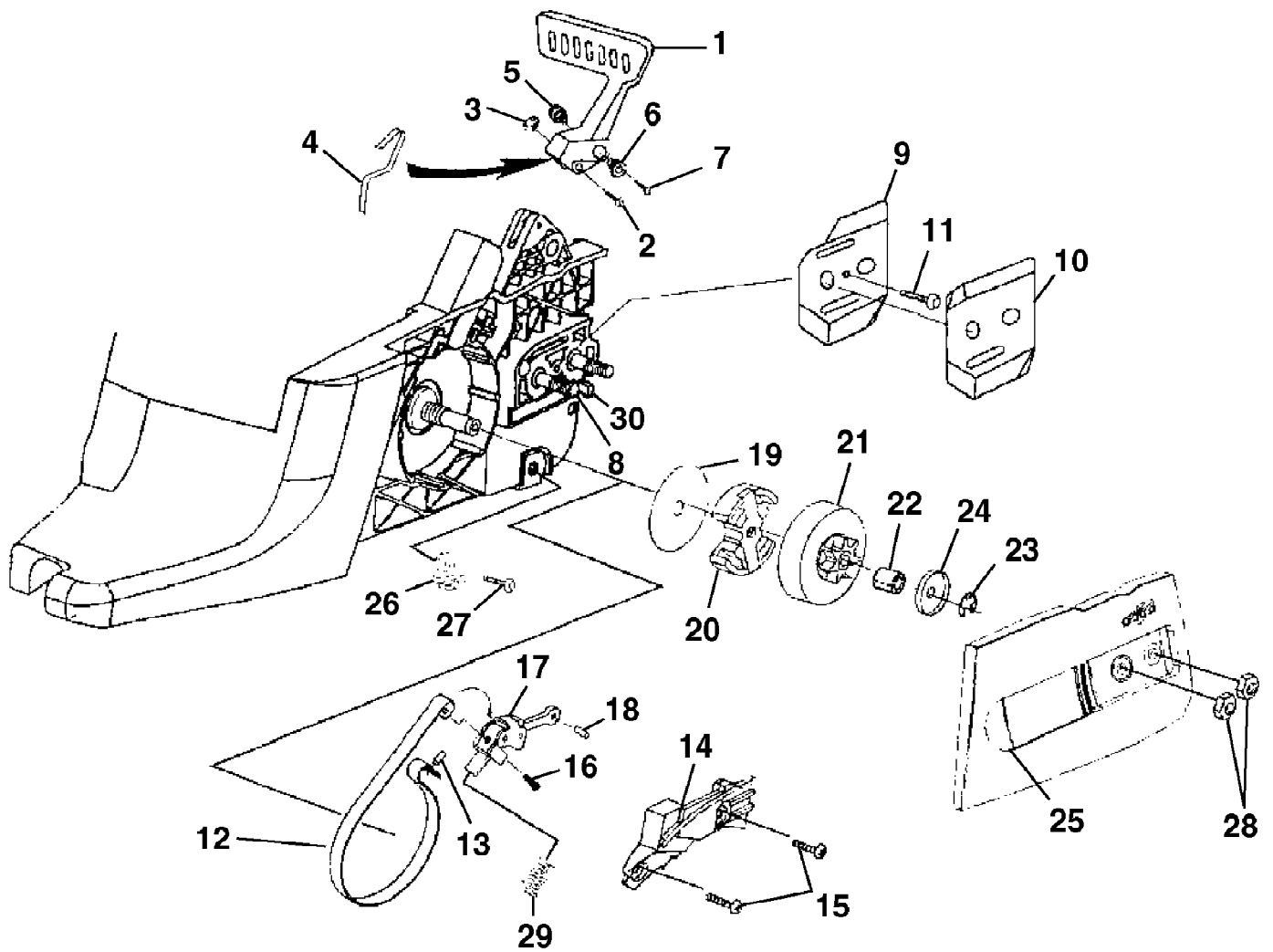
Parts List
Only

Ref #	Part Number	Qty	S/P/F	Description
PS06330	PS06330	1		12" Guide Bar Part Number
PS06331	PS06331	1	/P	14" Guide Bar Part Number
PA01222	PA01222	1	S/P	16" Guide Bar Part Number
PS06328	PS06328	1		12" Chain Part Number
PS06329	PS06329	1	S	14" Chain Part Number
PS06285	PS06285	1	S/P	16" Chain Part Number
PS24823	PS24823	1	/P	Sealant Silicon
0745499	0745499	1	/P	Rubber tubing (10')
09207	09207	1	/P	Wrench - Combination
18416	18416	1		Digital Tachometer
18453	18453	1	/P	Grease, Multi-purpose
94194	94194	1	/P	Compression Tester
1856601	1856601	1	/P	Bit, Torx T27
UP08681A	UP08681A	1	/P	Carry Case
UP08000A	UP08000A	1	S/P	Adjusting Pin Kit



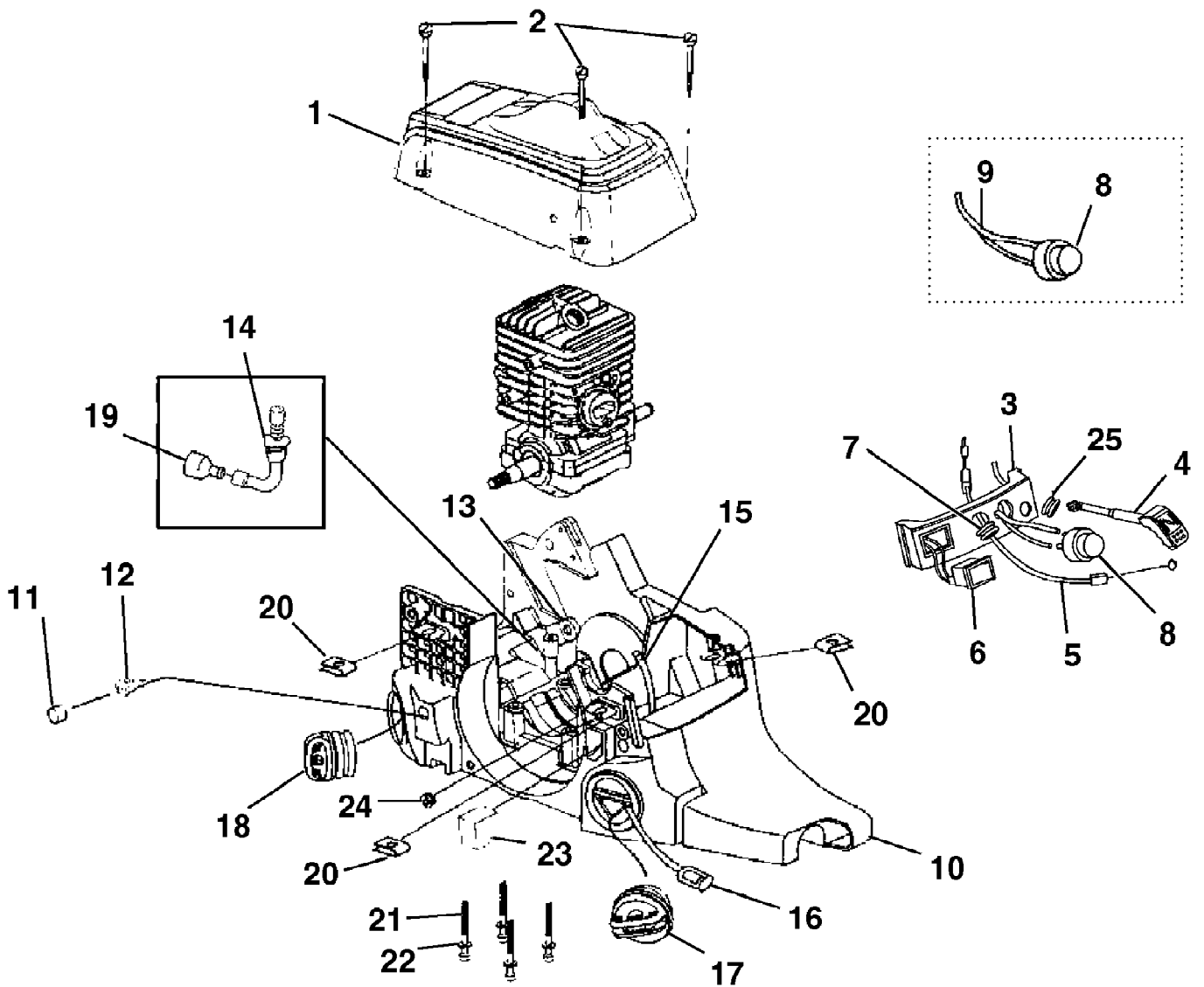
Item No.	Torque Specs		Required Loctite
	In/lbs	Nm	
4	50-60	5.6-6.7	
10	30-40	3.4-4.5	
15	45-55	5.0-6.2	
22	15-20	1.7-2.3	

Ref #	Part Number	Qty	S/P/F	Description
1	984890-001	1		Muffler Kit
2	900848001	1	/P	Muffler
3	PS04525	3	S/P	Screw-Square Hd.
4	81206	3	S/P	Nut-Locking Hex (10-32)
5	07394	1	/P	Screen, Spark
6	07396A	1	/P	Deflector, Muffler
7	95922	1	/P	Screw (8-32 x .312)
8	A09159A	1	/P	Carburetor Assembly Include items 8-10
9	98339	1	S/P	Carburetor Gasket
10	07589	2	/P	Flange Nut (10-24)
12	06840A	1	/P	Gasket, Heat Dam
13	04916	1	/P	Heat Dam
14	06873	1	/P	Seal, Heat Dam
15	82539	1	S/P	Screw, Truss Hd. Taptite (10-24 x 7/8") 2
16	06852	2	/P	Screw, Carburetor
17	0745434	1	/P	Fuel Line (Tank to Carburetor 8 1/2")
18	0745416	1	/P	Fuel Line (Carburetor to Purge Bulb)
19	04907	1	/P	Carburetor Grommet
	UP06753A	1	/P	Air Filter Kit Include items 19-22
20	04938	1	/P	Air Filter Cover
21	PS05070	1	/P	Pre Filter (In engine housing)
22	82617	2	/P	Screw-Slotted Pan Hd. (8-16 x 5/8")
23	PS06280	1	/P	Rod, Choke
24	04937	1	/P	Air Filter Plate
25	08939	1	/P	Spring Clip (Choke Rod)



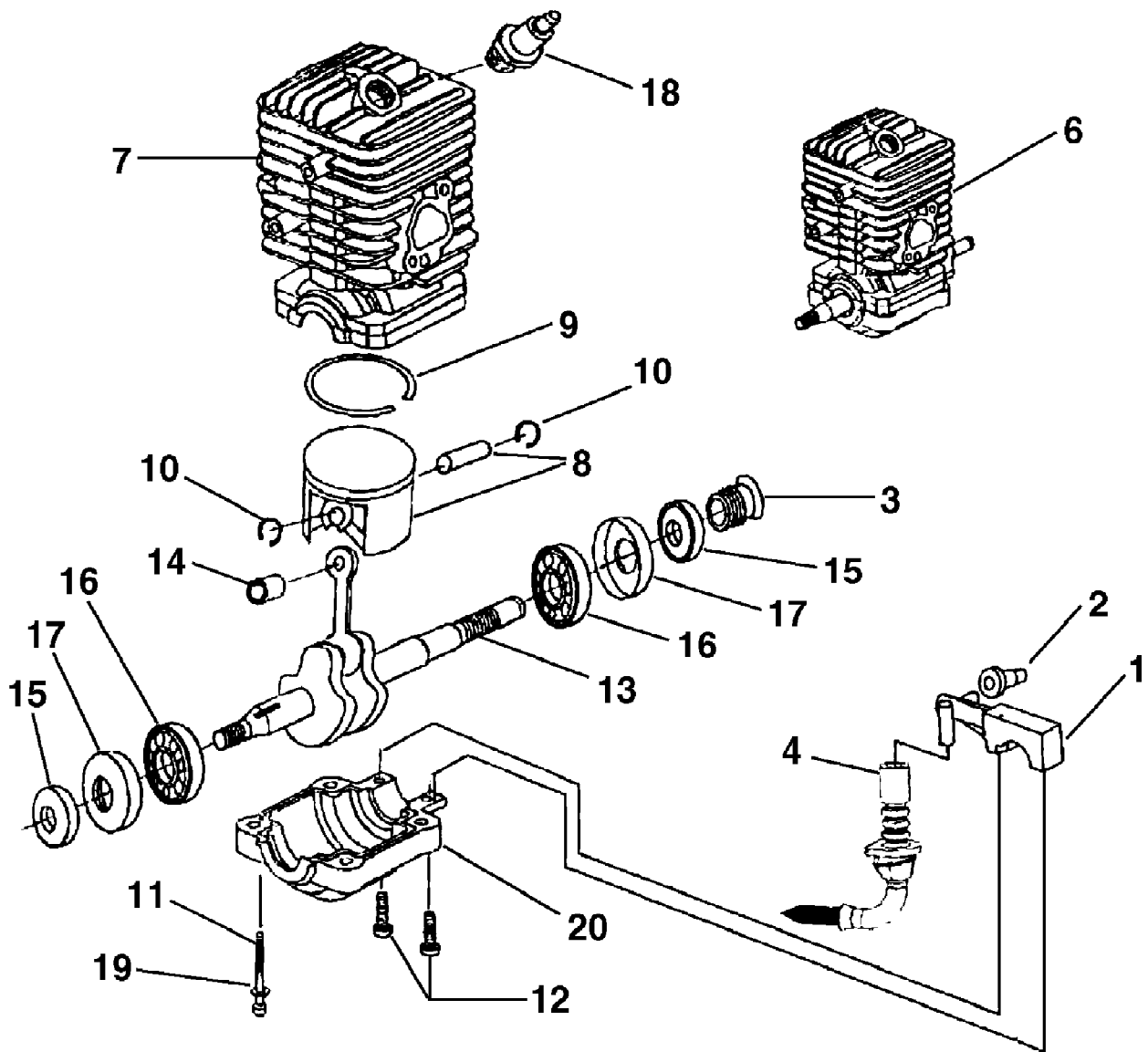
Item No.	Torque Specs		Required Loctite
	In/Lbs	Nm	
7	25-35	2.8-3.9	242 Blue
14	8-18	0.9-2.0	
16	130-180	14.7-20.3	
23	30-50	3.4-5.6	
24	Hand Tight		
27	10-20	1.1-2.3	

Ref #	Part Number	Qty	S/P/F	Description
1	UP06568A	1	S/P	Hand Guard Kit Include items 1-4
2	07580	1	S/P	Hand Guard Actuating Pin
3	69599	1	/P	Retaining Ring
4	07613	1	/P	Spring, Handguard
5	07393	1	S/P	Pivot, L.H.
6	07392	1	S/P	Pivot, R.H.
7	82624	1	/P	Screw, Hex Socket Hd. (8-32 x 5/8")
8	PS04881	2	/P	Guide Bar Bolt
9	07404A	1	/P	Plate, Guide Bar
10	07405A	1	/P	Plate, Guide Bar
11	82513	1	/P	Screw, Thread Form (6-19 x 1/2")
12	UP08097A	1	/P	Chain Brake Band Kit Include items 12-16
13	06672	1	S/P	Pin, Roll
14	06843A	1	/P	Cover, Chain Brake
15	82513	2	/P	Screw, Pan Hd. (6-19 x 1/2")
16	82623	1	S/P	Screw, Pan Hd. (8-16 x .320)
17	984897001	1	/P	Chain Brake Link
18	95395A	1	/P	Pin, Roll
19	04940	1	/P	Thrust Washer
20	UP06727A	1	S/P	Clutch & Hardware
21	UP08727	1	S	Sprocket, Drum (.325 Pitch) Include items 21-23
22	PS04669	1	/P	Bearing, Needle
23	08981	1	/P	Ring, Retaining
24	04939A	1	/P	Washer, Cupped
25	UP06975A	1	/P	Drive Case Cover
26	UP05634A	1	/P	Chain Catcher Include items 26-27
27	82541	1	/P	Screw, Thread Form (10-24 x 1/2")
28	81196	2	S/P	Nut, Hex
29	984679-001	1	S	Spring, Compression
30	UP08000A	1	S/P	Adjusting Pin Assembly



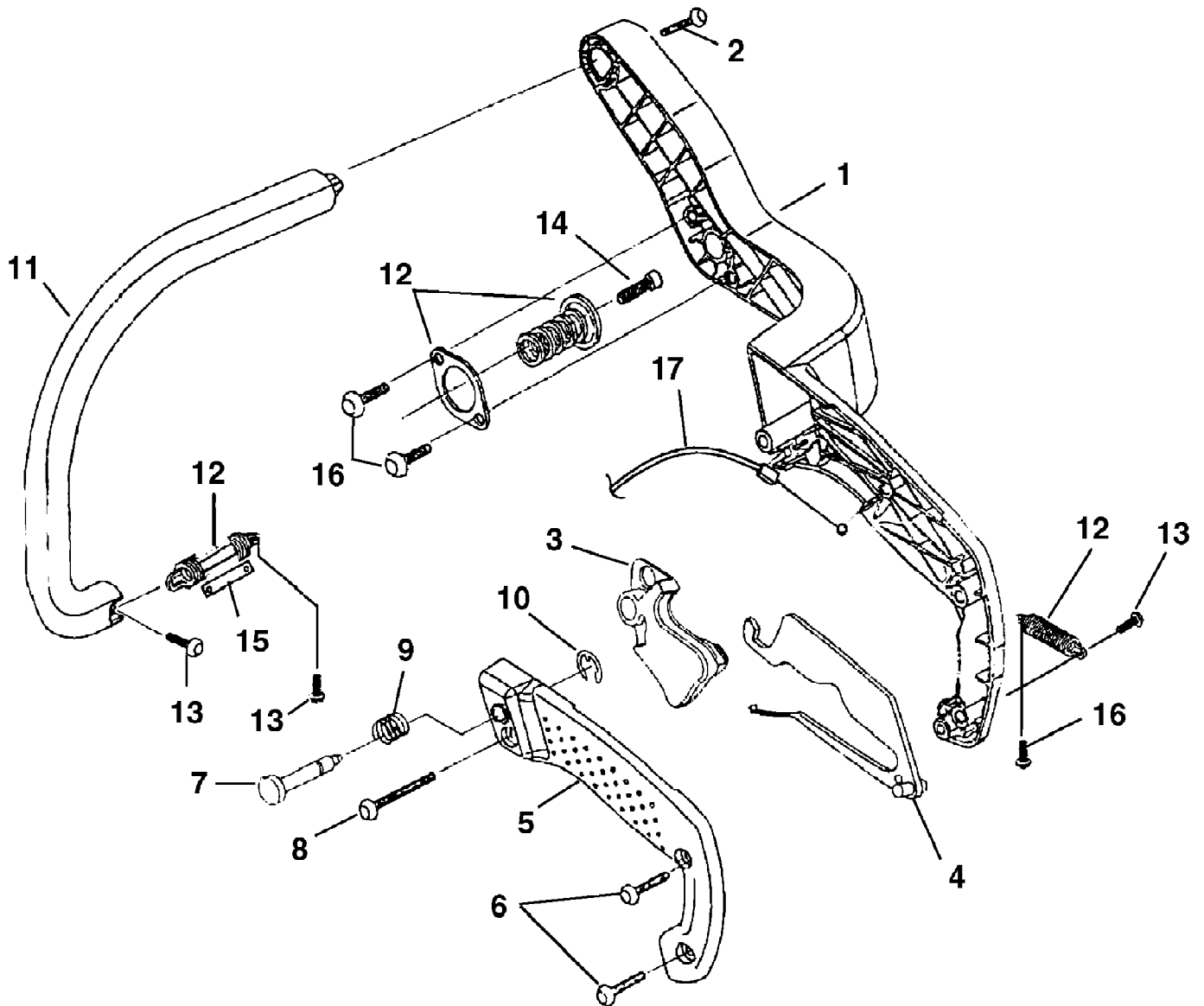
Item No.	Torque Specs		Required Loctite
	In/lbs	Nm	
3	15-25	1.7-2.8	
21	65-75	7.3-8.5	262 Red

Ref #	Part Number	Qty	S/P/F	Description
1	UP08724	1		Cylinder Cover Kit Include items 1-2
2	07597	3	S/P	Screw-Slotted Pan Hd.
	PS06323	1	/P	Kickback-Decal
	PS06324	1	S/P	Safety Decal
3	PS03503	1	/P	Control Panel
4	PS06280	1	/P	Rod, Choke
5	A07596B	1	S/P	Throttle Cable
6	PS02369	1	/P	Switch, Rocker
7	07587	2	/P	Grommet - Split
8	01183	1	/P	Primer Bulb
9	0745422	1	/P	Rubber Tubing (5 1/2")
10	UP08721	1	S/P	Chassis Include items 10-19
11	07403	2	S/P	Element, Filter (Bronze)
12	03134	2	S/P	Duck Bill Valve
13	06841	1	/P	Oil Outlet Grommet
14	PA01037	1	/P	Oil Intake Tube w/Filter
15	0745434	1	/P	Rubber Tubing (8 1/2")
16	PS03380	1	/P	Fuel Filter
17	PA01645	1	S/P	Fuel Cap w/ Retainer
18	PA01646	1	S/P	Oil Cap w/ Retainer
	PS04881	2	/P	Guide Bar Bolt (Not Shown)
19	A68593	1		Oil Filter
20	07598	3	/P	Speed Nut ("U-Type")
21	82527	4	S/P	Screw, Cap-Socket Hd. (10-24 x 2")
22	84008	4	S/P	Washer
23	PS05070	1	/P	Pre Filter
24	07587	1	/P	Grommet-Split
25	64862	1	/P	Grommet



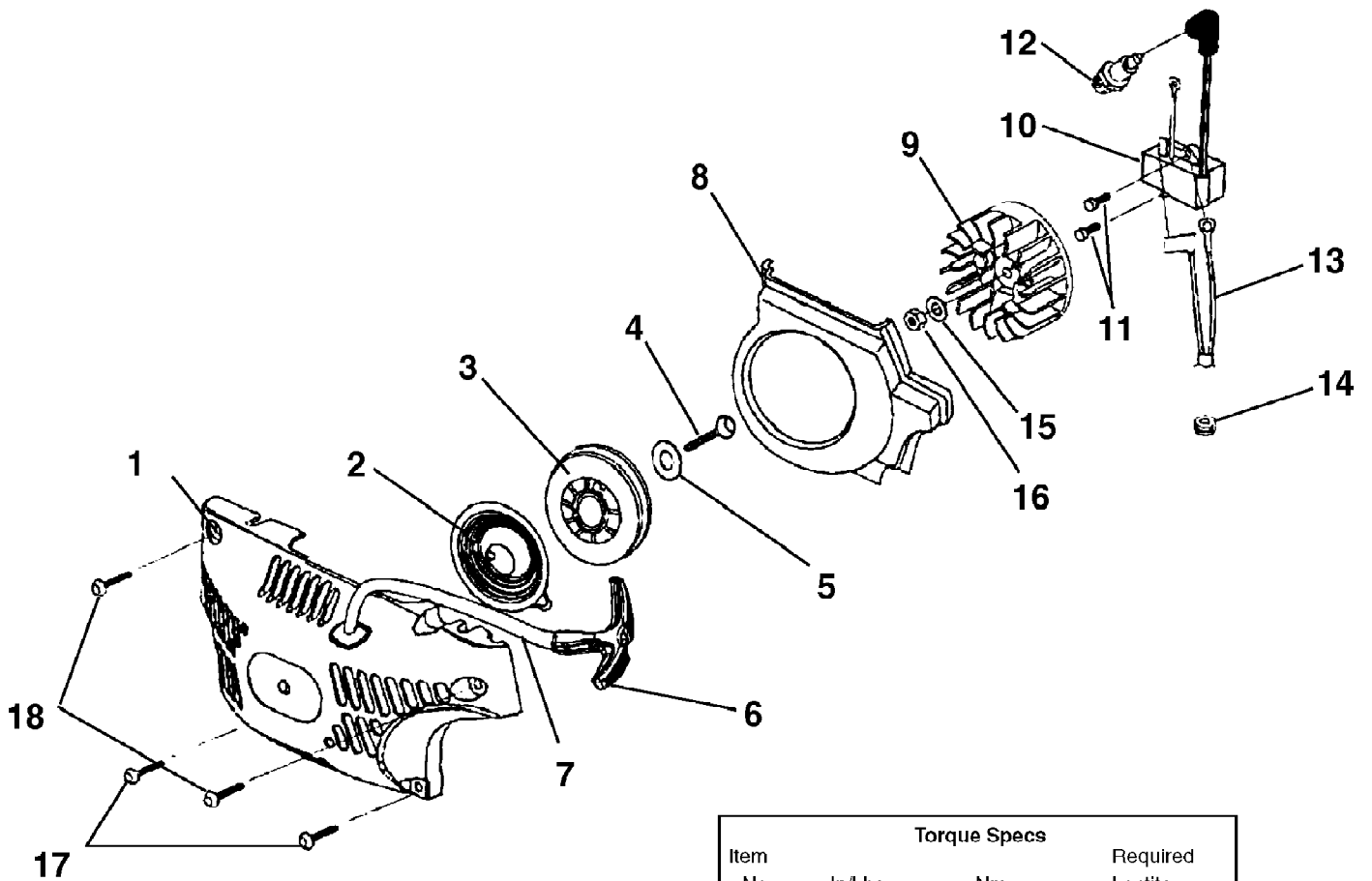
Item No.	Torque Specs		Required Loctite
	In/Lbs	Nm	
11	65-75	7.3-8.5	262 Red
12	15-20	1.7-2.3	
18	120-180	13.6-20.3	

Ref #	Part Number	Qty	S/P/F	Description
1	UP06602	1	/P	Oil Pump Kit Include items 1-4
2	06841	1	/P	Grommet, Oil Outlet
3	06847	1	S/P	Left Hand Worm
4	PA01037	1	/P	Oil Intake Tube w/Filter
6	UP03119A	1	/P	Short Block, Complete (33cc) Include items 6-17
7	A08666A	1	/P	Cylinder Kit (33cc) Include items 7
	900848001	1	/P	Gasket, Muffler (Not Shown)
	06840A	1	/P	Gasket, Heat Dam (Not Shown)
	98339	1	S/P	Gasket, Carburetor (Not Shown)
8	UP06971A	1	/P	Piston & Pin (33cc) Include items 8-10
9	04933	1	/P	Piston Ring
10	64813	2	/P	Ring, Retaining
11	82527	4	S/P	Screw, Cap-Socket Hd. (10-24 x 2")
12	PS04989	2	/P	Screw, Pan Hd., Plastite (8-32 x5/8")
13	PA00979	1	/P	Crankshaft & Rod Assembly
14	PS04921	1	/P	Bearing, Needle
15	04920	2	S/P	Shaft Seal
16	A04931A	2	S	Bearing & Rubber Case
17	04919	1	S/P	Rubber Case
18	PS02227	1	S/P	Spark Plug
19	84008	4	S/P	Washer
20	04909	1	/P	Lower Crankcase



Item No.	Torque Specs		Required Loctite
	In/lbs	Nm	
8	30-40	3.4-4.5	
10	30-40	3.4-4.5	

Ref #	Part Number	Qty	S/P/F	Description
1	UP08733	1		Rear Handle Kit Include items 1-10
2	82615	1	/P	Screw-Pan Hd. (12-14 x 1 1/2")
3	984354-002	1	S	Trigger, Throttle
4	PS06283	1	/P	Throttle Lock Out
5	UP08731	1		Handle Cover Kit Include items 5-10
6	82563	2	/P	Screw, Thread Form (10-14 x 3/4")
7	PS06281	1	/P	Throttle Lock Pin
8	82622	1	/P	Screw, Thread Form (10-14 x 11
9	08898	1	/P	Spring
10	58409	1	/P	E-Ring
11	UP07862A	1	/P	Front Handle Kit Include items 11-2
2	82615	1	/P	Screw-Pan Hd. (12-14 x 1 1/2")1
12	UP08007A	1	/P	Isolator Kit Include items 12-15
13	82621	3	/P	Screw, Truss Hd. (10-14 x 5/8")
14	82597	1	S/P	Screw, Truss Hd. (10-24 x 5/8")
15	01812A	1	/P	Limitter, Isolator
16	82541	3	/P	Screw, Thread Form (10-14 x 1/2")
17	A07596B	1	S/P	Throttle Cable



Item No.	Torque Specs		Required Loctite
	In/Lbs	Nm	
4	30-40	3.4-4.5	
11	30-40	3.4-4.5	242 Blue
12	120-180	13.6-20.3	
16	100-150	11.3-16.9	
17	30-40	3.4-4.5	
18	30-40	3.4-4.5	

Ref #	Part Number	Qty	S/P/F	Description
1	UP06749A	1	S/P	Starter Kit Include items 1-7
2	A97908	1	/P	Spring & Container
3	PS03117	1	/P	Pulley, Starter
4	82621	1	/P	Screw, Thread Form, Plastite (10-14 x 5/8")
5	94062	1	/P	Washer, Retaining
6	PS06114	1	/P	Grip, Starter
7	9789901	1	/P	Rope, Starter 46"
8	06876	1	/P	Baffle, Fan Housing
9	UP05850A	1	S	Rotor & Starter Pawl
10	UP07865A	1	/P	Ignition Kit (33cc) PHELON
11	82575	2	S/P	Screw, Thread Form (8-32 x 5/8")
12	PS02227	1	S/P	Spark Plug
13	A07602A	1	/P	Ignition Switch Harness
14	07587	1	/P	Grommet, Wire Harness (Split)
15	PS84065	1	S/P	Washer, Flat
16	985730001	1	S	Nut, Jam
17	82620	1	/P	Screw, Truss Hd., Plastite (10-14 x 2
18	82621	1	/P	Screw, Truss Hd., Plastite (10-14 x 2