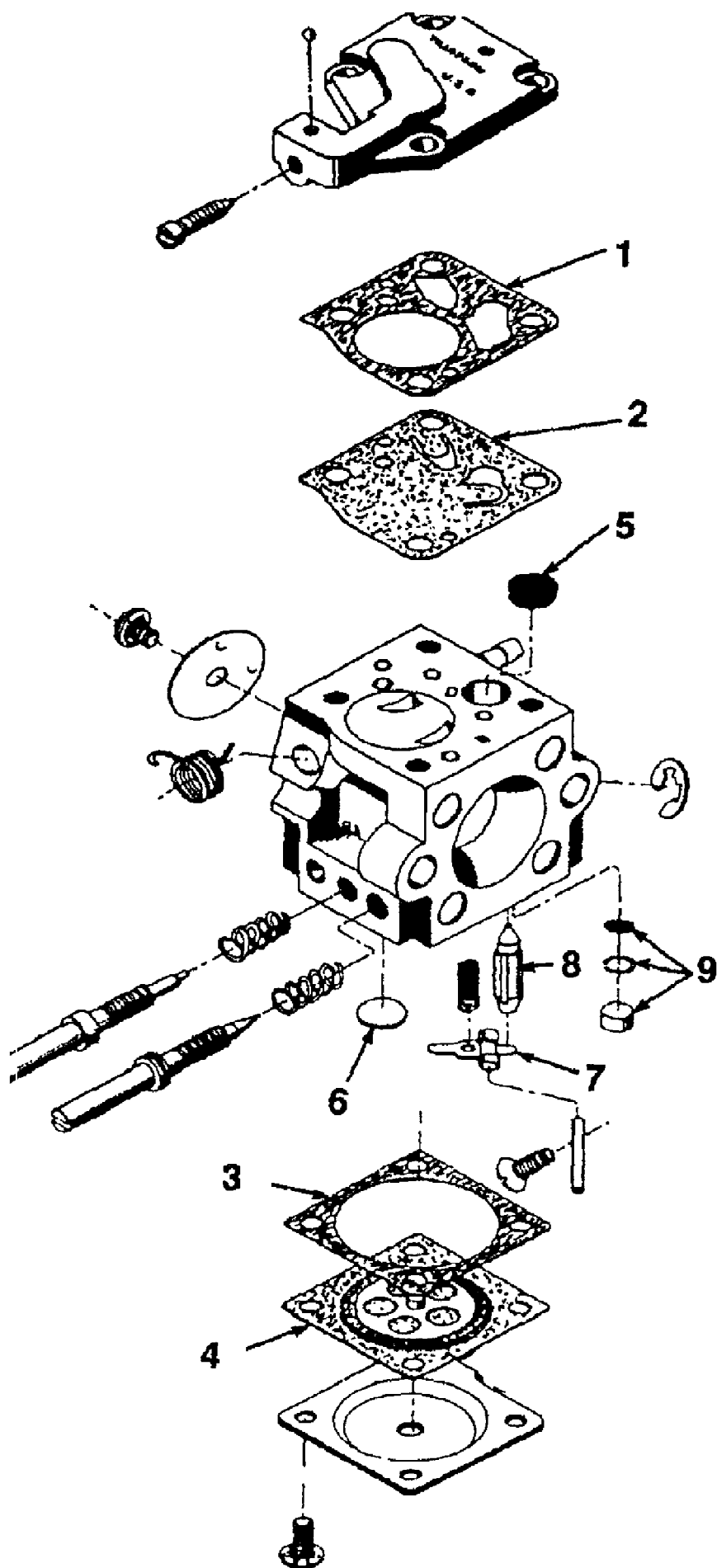


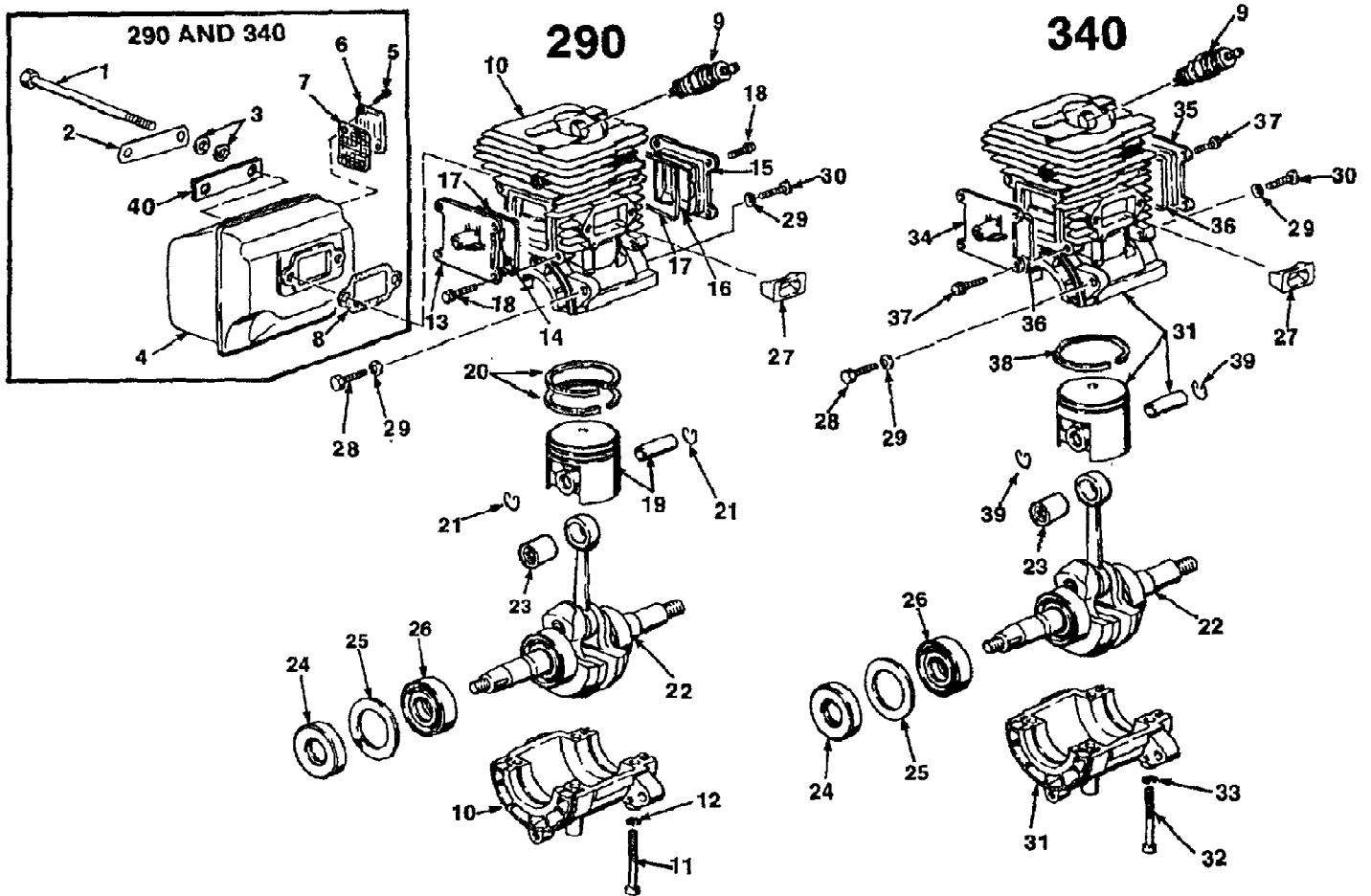
No
Diagram
Available

Parts List
Only

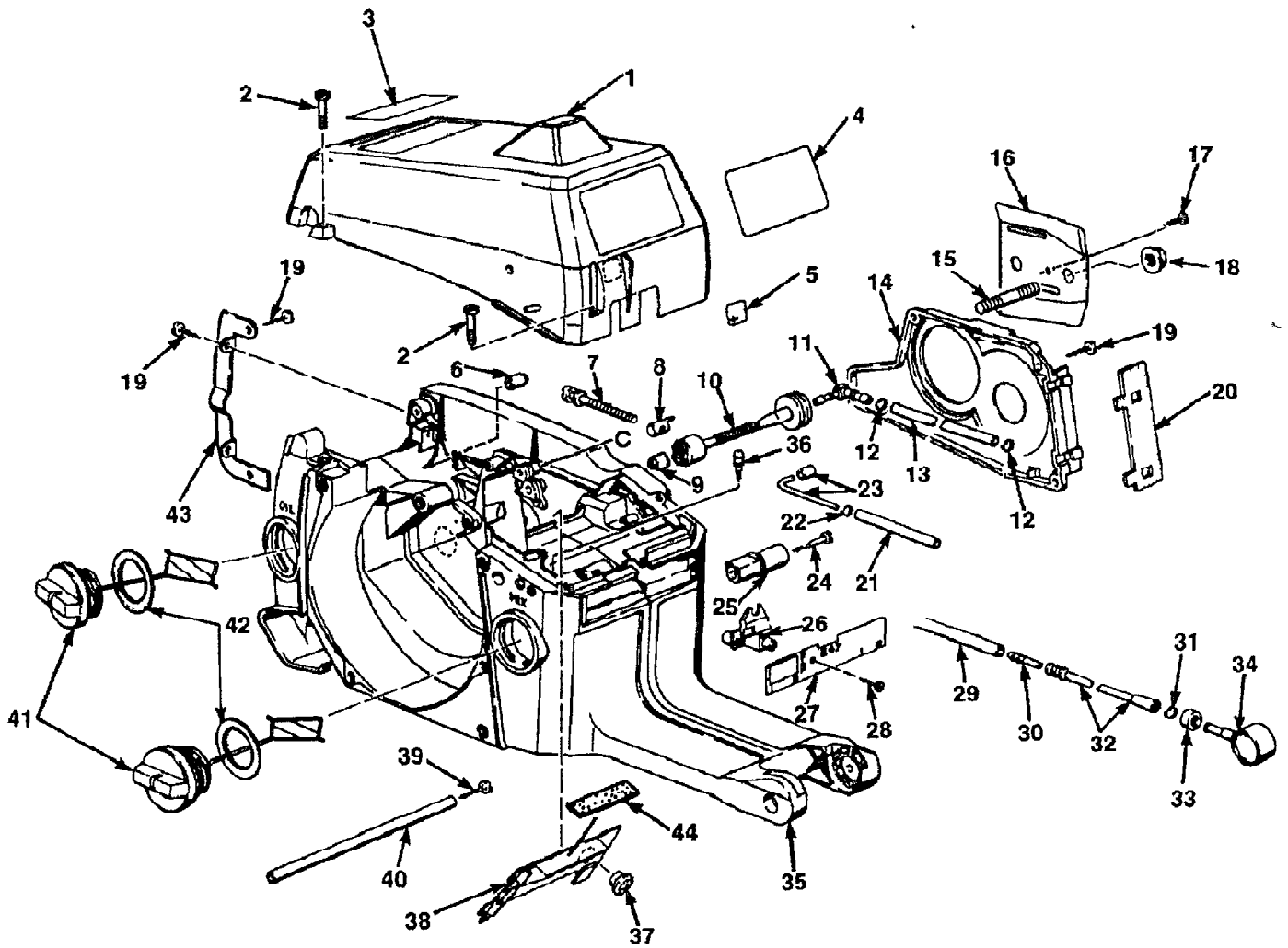
Ref #	Part Number	Qty	S/P/F	Description
	98293	1		BUMPER SPIKE
	98488	1		ROTOR REMOVAL TOOL
	98489	1		FLYWHEEL HOLDER TOOL
	98437	1		COMBINATION WRENCH
	24823	1	S	SILICONE SEALANT
	JA313164	1		IGNITION TEST SPARK PLUG
	17789	1	S	CARBURETOR REPAIR TOOL KIT
	17193	1		MULTI-PURPOSE GREASE



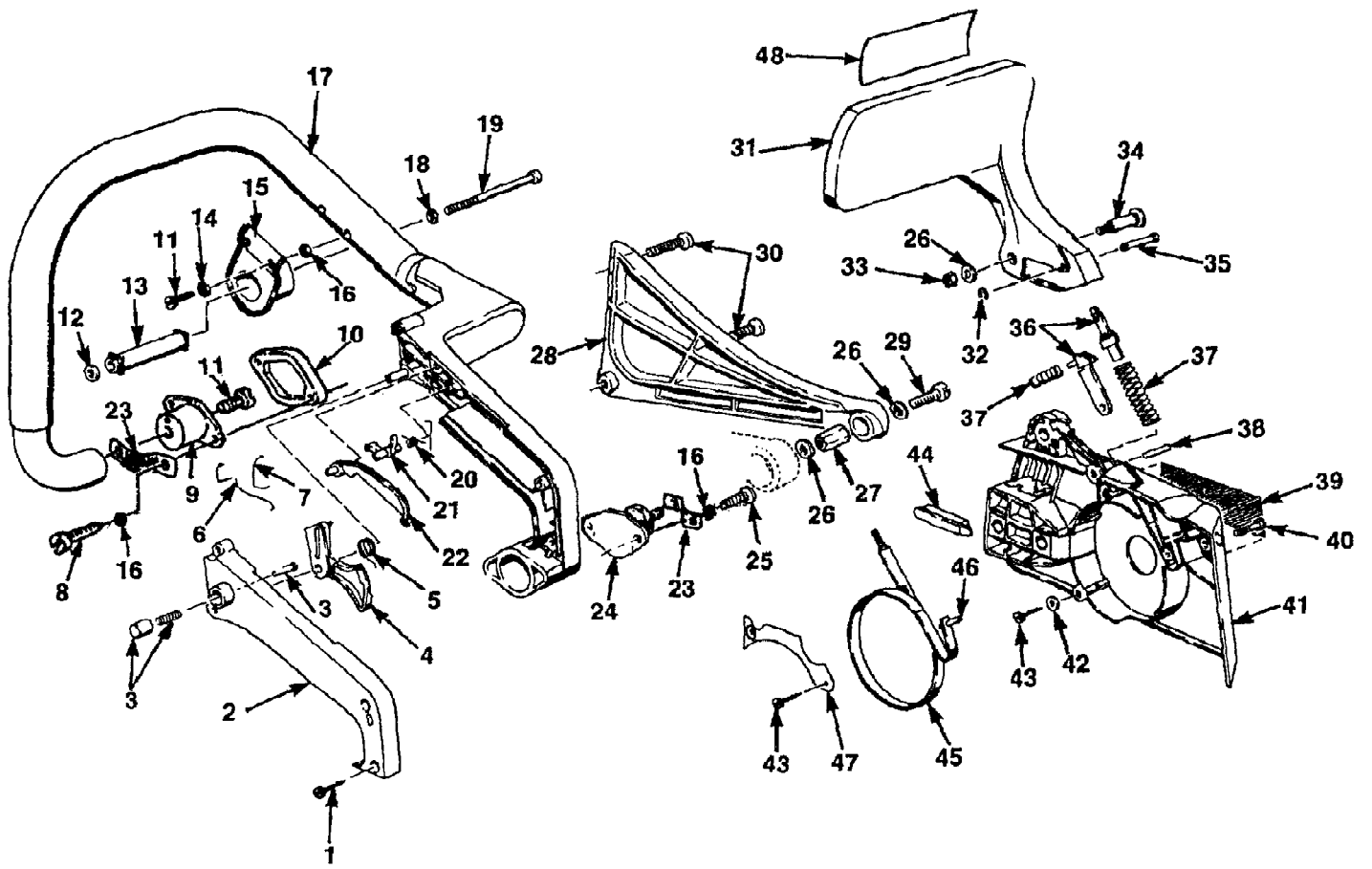
Ref #	Part Number	Qty	S/P/F	Description
	A98340	1		CARBURETOR (HU63A)
	A98493	1		GASKET/DIAPHRAGM KIT Includes items 1 - 4
1	A98494	1		REPAIR KIT Includes items 1 - 8
		1		Superseded by UP07217 Included in Repair Kit P/N A98494 & Gasket/Diaphragm Kit P/N A98493
2		1		Superseded by UP07217 Included in Repair Kit P/N A98494 & Gasket/Diaphragm Kit P/N A98493
3		1		Superseded by UP07217 Included in Repair Kit P/N A98494 & Gasket/Diaphragm Kit P/N A98493
4		1		Superseded by UP07217 Included in Repair Kit P/N A98494 & Gasket/Diaphragm Kit P/N A98493
5		1		Superseded by UP07217 Included in Repair Kit P/N A98494
6		1		Superseded by UP07217 Included in Repair Kit P/N A98494
7		1		Superseded by UP07217 Included in Repair Kit P/N A98494
8		1		Superseded by UP07217 Included in Repair Kit P/N A98494
9	98492	1		CHECK VALVE KIT Includes item 9
		1		Superseded by UP07217 Included in Repair Kit P/N A98494



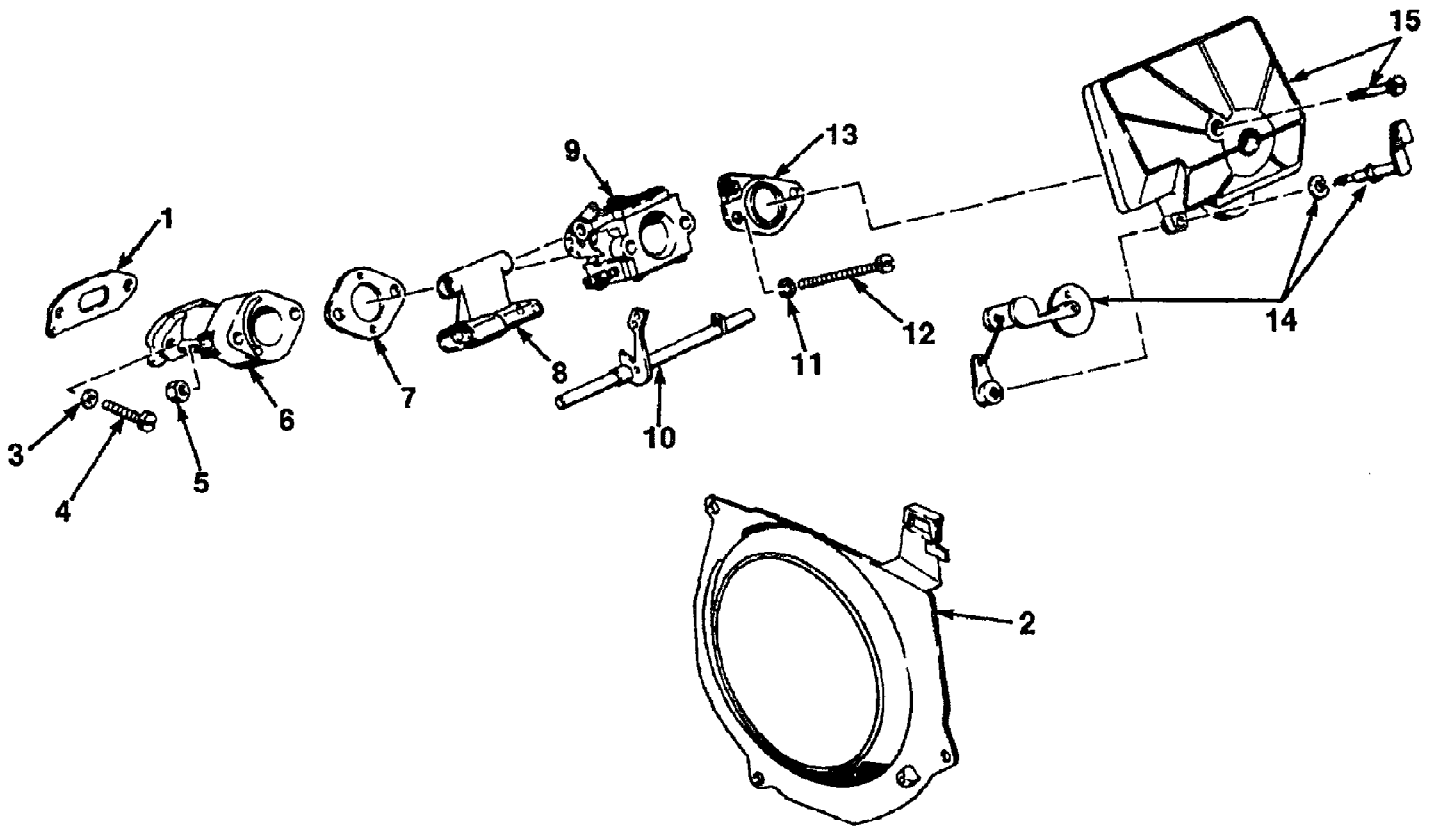
Ref #	Part Number	Qty	S/P/F	Description
1	88137	2		SCREW-(M6 x 90)
2	98242	1		PLATE-Locking
3	98446	4		WASHER-Belleville
4	A98233	1		MUFFLER ASSEMBLY Includes items 5 - 7
5	88156	2		SCREW
6	98500	1		COVER-Muffler
7	98499	1		SPARK ARRESTOR
8	98241	1		MUFFLER GASKET
9	93561S	1	S	SPARK PLUG (Champion CJ6Y)
	88217	1		SPARK PLUG (Champion RCJ6Y) (resistor type)
10	A98444	1		CRANKCASE & CYLINDER Includes items 11 - 18
11	88133	4		SCREW-M5 x 45
12	83200	4	/P	WASHER-Lock
13	982121	1		COVER-Transfer port
14	98470	1		INSERT-Transfer port
15	98208	1		COVER-Transfer port
16	98469	1		INSERT-Transfer port
17	98215	2		"O" RING
18	88134	8		SCREW-M4 x 12
19	A98511	1		PISTON & PIN ASSEMBLY Includes items 20 & 21
20	98439	2		PISTON RING
21	98198	2	/P	RING-Piston pin retaining
22	A98189	1		CRANKSHAFT ASSEMBLY
23	98194	1		BEARING-Needle roller
24	98197	2	S	SEAL-Main
25	98195	2	/P	RETAINER-Bearing
26	98196	2		BEARING- Ball
27	98216	1		INSERT-INTAKE PORT
28	88136	4		SCREW-(M5 x 23)
29	83203	7		WASHER-Flat (M5)
30	88135	3		SCREW-(M5 x 18)
31	A98510	0		CRANKCASE & CYLINDER W/Piston Assembly (Matched) Not used on this model; Includes items 32 - 40
32	88133	0		SCREW Not used on this model
33	83200	0	/P	WASHER-Lock Not used on this model
34	A98211	0		TRANSFER PORT COVER ASSEMBLY Not used on this model
35	A98207	0		TRANSFER PORT COVER ASSEMBLY Not used on this model
36	98215	0		"O" RING Not used on this model
37	88134	0		SCREW (M4 x 12) Not used on this model
38	98206	0	/P	PISTON RING Not used on this model
39	98198	0	/P	RING-Piston pin retaining Not used on this model
40	98616	1		PLATE-Support



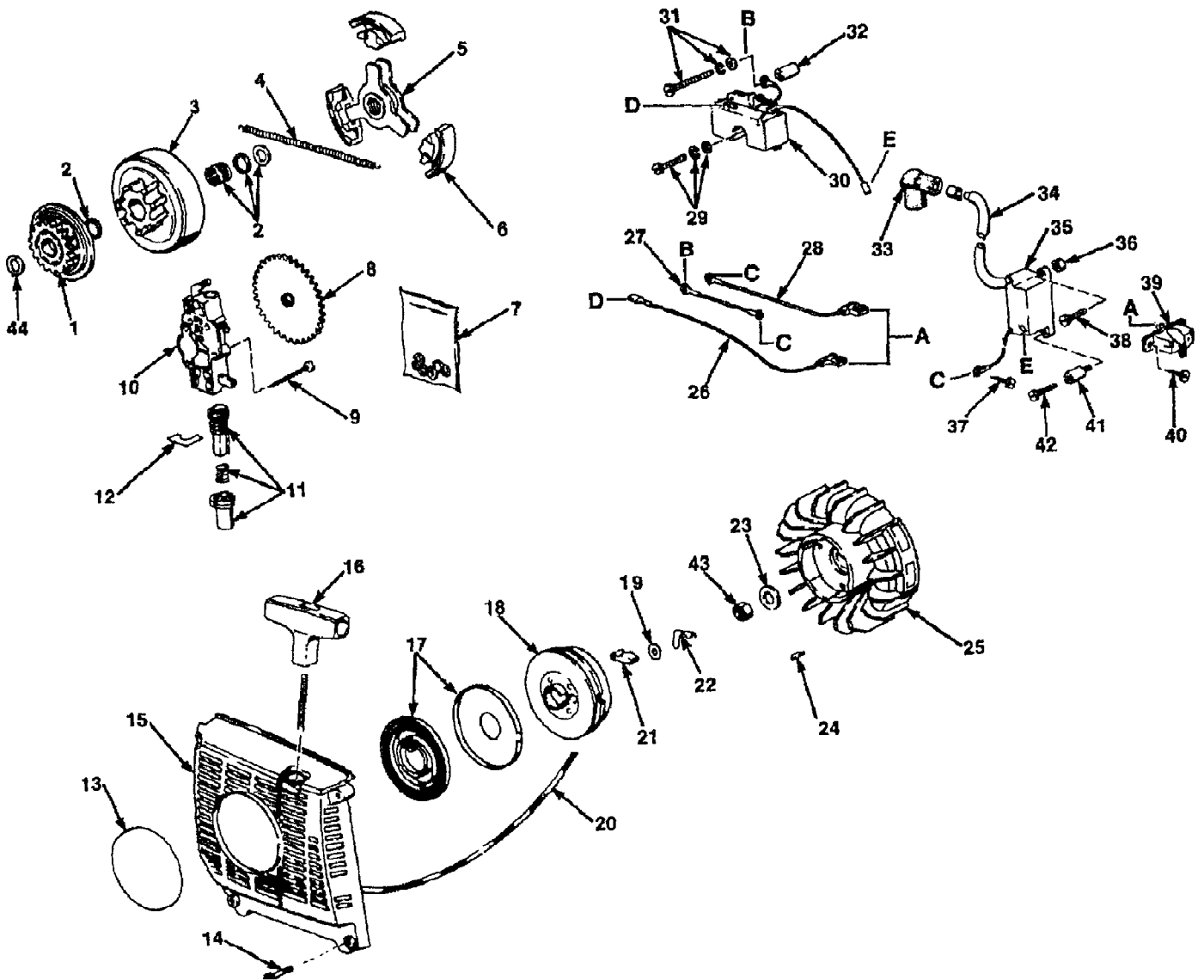
Ref #	Part Number	Qty	S/P/F	Description
1	98403	1		COVER-Cylinder
2	88142	3		SCREW
3	96990	1		DECAL-Safety instruction
4	98186	1		DECAL-(290)
5	98338	1		DECAL-Choke
6	A98279	1		VALVE-Check
7	88140	1		SCREW-Guide bar adjusting
8	98452	1		PIN-Guide bar adjusting
9	A98272	1		STRAINER-Oil
10	98271	1		TUBE-Oil
11	98270	1		FITTING-Elbow
12	98269	2		CLAMP-Wire
13	9823203	1		TUBING-Rubber (oil line) 3"
14	98275	1		COVER-Oil pump
15	98229	2		STUD-Guide bar
16	98278	1		PLATE-Guide bar
17	80513	1		SCREW-(3.5 x 6.5)
18	81401	2		NUT-W/washer
19	98460	9		SCREW-(4 x 13)
20	98276	1		PROTECTOR-Engine housing
21	9823204	1		TUBING-Rubber (oil line) 7 1/2"
22	98268	1	S/P	CLAMP-Wire
23	A98478	1		OIL TUBE KIT
24	88157	1		SCREW (4.2 x 32)
25	98277	1		CHAIN STOP
26	98386	1		SUPPORT-Choke lever
27	984671	1		PLATE-Switch
28	88149	1		SCREW (2.9 x 9.5)
29	9823202	1		TUBING-Rubber (1 1/4")
30	98354	1		FITTING-Hose
31	98356	1		CLAMP-Wire
32	98353	1		LINE-Fuel pick-up
33	98360	1		WEIGHT-Fuel pick-up
34	A98357	1	S	FUEL FILTER ASSEMBLY
35	A98218	1		ENGINE HOUSING Includes item 36
36	98227	1		FITTING-Tube
37	98392	1		PLUG-Baffle
38	98390	1		BAFFLE-Cylinder
39	88150	1	S	SCREW (3 1/2 x 19)
40	9823205	1		TUBING-Rubber (vent) 8"
41	A98393	2		CAP-Oil & Fuel w/retainer Includes item 42
42	98395	2		GASKET-Oil & Fuel
43	98294	1		PLATE-Bumper
44	98391	1		STRIP-Felt



Ref #	Part Number	Qty	S/P/F	Description
1	88150	4	S	SCREW-(3 1/2 x 19)
2	98417	1		COVER-Throttle handle
3	A98479	1		KIT-Throttle lock
4	98412	1		TRIGGER-Throttle
5	96413	1		SPRING-Throttle
6	98363	1		LINK-Throttle
7	98364	1		LINK-Throttle
8	88153	2		SCREW-(4.22 x 22)
9	A98420	1		ISOLATOR
10	98429	1		ISOLATOR SAFETY SPACER
11	88153	3		SCREW-(M5 x 12)
12	83210	1		WASHER-Flat
13	98430	1		SPACER-Isolator
14	83208	2		WASHER-Lock
15	A98426	1		HANDLE BAR ISOLATOR
16	83212	4		WASHER
17	A98404	1		HANDLE BAR ASSEMBLY
18	98432	1		WASHER-Lock
19	88152	1		SCREW-(M6 x 65)
20	98415	1		SPRING-Torsion
21	98414	1		LEVER-Throttle lock
22	98416	2		LOCK-Throttle
23	98400	1		STRAP-Isolator
24	98398	2		ISOLATOR
25	88139	3		SCREW (4.2 x 16)
26	83203	1		WASHER-Lock
27	81409	1		NUT
28	98431	1		HAND GUARD (rear)
29	88154	1		BOLT (M5 x 10)
30	98433	2		SCREW (4 x 20)
31	98306	1		HAND GUARD
32	83204	1		RING-Retaining
33	98457	1		NUT
34	98461	1		SCREW-Shoulder
35	98422	1		PIN
36	A98481	1		ADJUSTMENT SET
37	A98480	1		SPRING SET
38	98456	1		PIN
39	98185	1		DECAL-Homelite
40	88142	1		SCREW-(5 x 20)
41	A98296	1	S	DRIVE CASE COVER ASSEMBLY
42	83205	1		WASHER
43	88148	3		SCREW (3.5 x 13)
44	98309	2		GUIDE-Chain
45	A98298	1		BRAKE BAND ASSEMBLY Includes item 46
46	98447	1	S	PIN-Dowel
47	98307	1		COVER-Plate
48	98653	1		DECAL



Ref #	Part Number	Qty	S/P/F	Description
1	98335	1		GASKET-Intake manifold
2	98319	1		GUIDE-Air
3	83203	2		WASHER-Spring
4	98459	2		SCREW (M5 x 20)
5	81405	2		NUT (M5)
6	983371	1		MANIFOLD-Intake
7	98339	1	S/P	GASKET-Carburetor
8	98361	1		GUIDE-Carburetor screw
9	A98340	1		CARBURETOR (HU63A) (Till.)
10	98362	1		SHAFT-Throttle
11	83208	2		WASHER-Spring
12	88143	2		SCREW-(M5 x 45)
13	98351	1		PLATE-Filter mounting
14	A98486	1		KIT-Choke lever
15	A98487	1		AIR FILTER ASSEMBLY
	9850801	2		SLEEVE



Ref #	Part Number	Qty	S/P/F	Description
1	98474	1		ACTIVATOR-3/8 P., 7T
	98280	1		ACTIVATOR-(opt.), 325, 8T
2	A98482	1		NEEDLE BEARING KIT
3	A98473	1	S	SPROCKET & DRUM, 3/8 P, 7 T.
	A98281	1	/P	SPROCKET & DRUM, .325 P, 8 T. (opt.)
4	98453	1	S	SPRING-Clutch
5	A98289	1		SPRING-Clutch
6	98292	3	/P	SHOE-Clutch
7	A98484	1		KIT-Pump repair
8	A98263	1		GEAR & HUB ASSEMBLY
9	88138	3		SCREW-(4.2 x 32)
10	A98244	1		OIL PUMP ASSEMBLY
11	A98483	1	/P	REGULATOR REPAIR KIT Includes item 12
12	98266	1		PLATE-Support
13	98187	1		DECAL-Starter (290)
14	88142	1		SCREW (5 x 20)
15	98321	1		HOUSING-Starter
16	98331	1		GRIP-Starter
17	A98326	1		SPRING & CONTAINER
18	98329	1		PULLEY-Starter
19	98423	1		WASHER
20	A98485	1		STARTER PAWL & ROPE KIT Includes items 21 & 22
21	98332	1		STARTER PAWL
22	98334	1		CLIP-Retaining
23	83207	1		WASHER-Flat
24	98318	1		KEY-Woodruff
25	A98310	1		ROTOR
26	A98373	1		WIRE-Ground
27	A98372	1		CABLE-Insulated
28	A98374	1		CABLE-Insulated
29	88145	1		SCREW-F.H. (5 x 20)
30	98365	1		MODULE & CORE
31	88144	1		SCREW-F.H. (5 x 30)
32	98367	1		SPACER
33	A98369	1		TERMINAL-Spark plug
34	98376	1		TUBING-Silicon 3 1/2"
35	98366	1		COIL-Ignition
36	81403	1		NUT
37	98375	1		SCREW (3.9 x 13)
38	88146	1		SCREW-F.H. (4 x 14)
39	98377	1		SWITCH (on/off)
40	88148	1		SCREW (3.5 x 13)
41	98368	1		STUD
42	88147	1		SCREW (F.H. 4 x 18)
43	81402	1		NUT-Hex
44	98475	1		WASHER