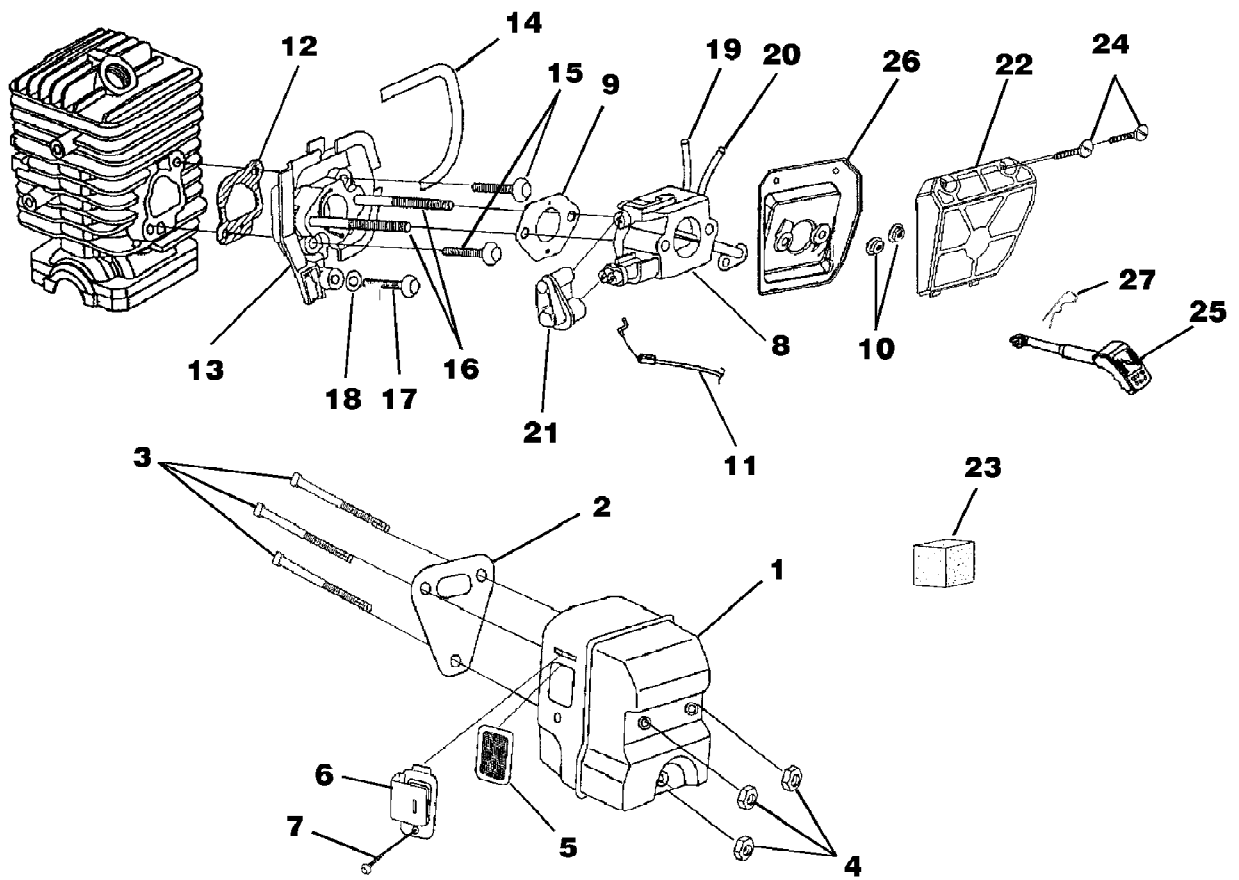
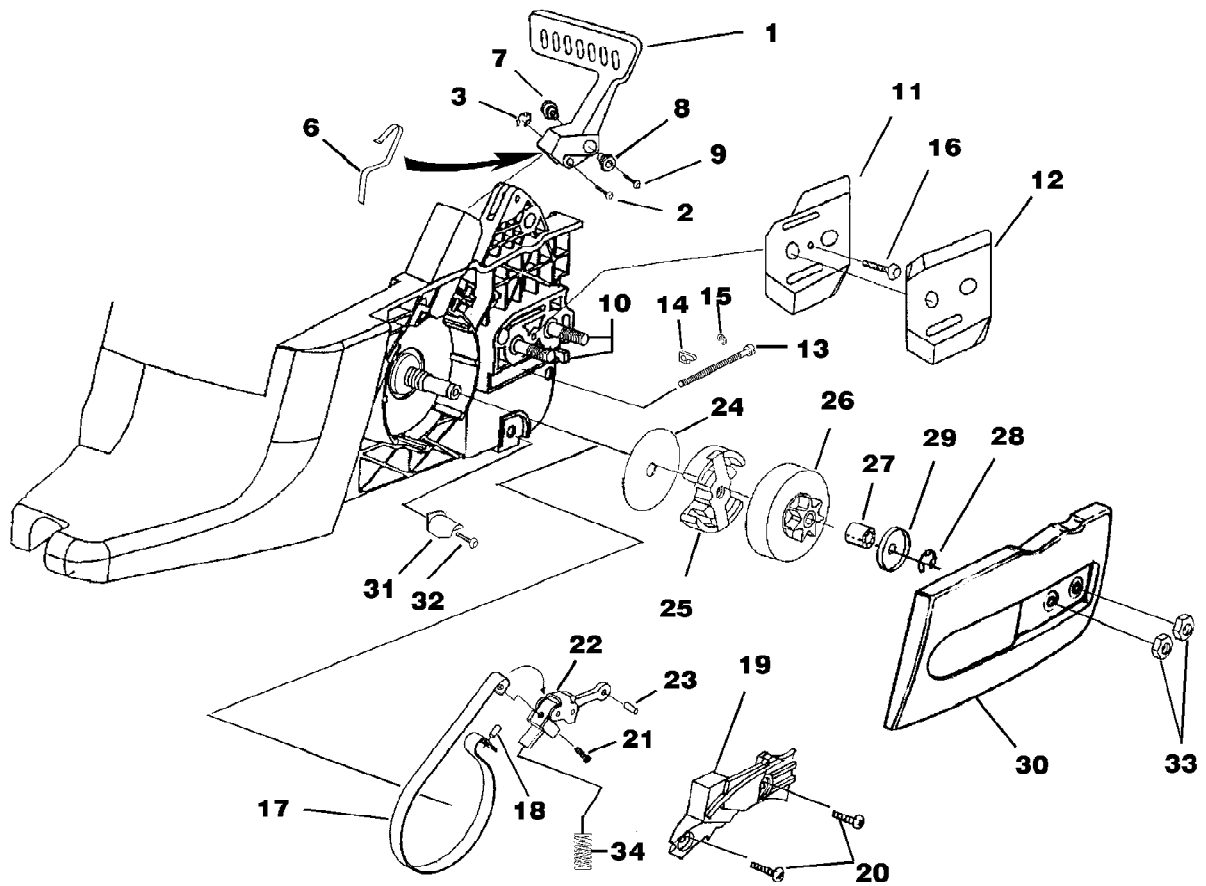


No  
Diagram  
Available  
  
Parts List  
Only

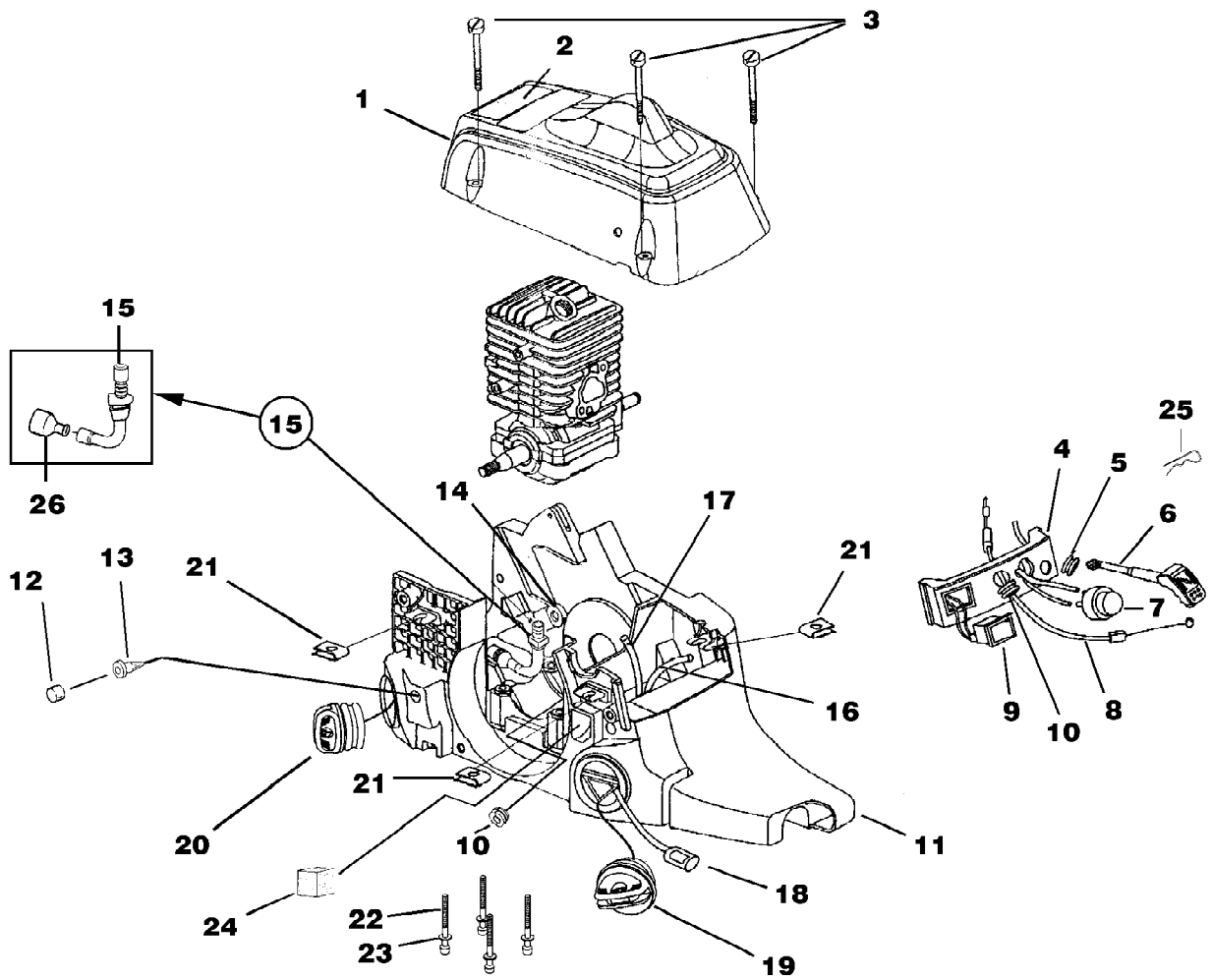
| Ref # | Part Number | Qty | S/P/F | Description                               |
|-------|-------------|-----|-------|---|
|       | PT12371MD   | 1   |       | Guide Bar (Power Tip) 12" (3/8" pitch)    |
|       | H1N7245AH   | 1   |       | Chain 12" (3/8" pitch)                    |
|       | PT14371MD   | 1   | /P    | Guide Bar (Power Tip) 14" (3/8" pitch)    |
|       | H1N7252AH   | 1   | S     | Chain 12" (3/8" pitch)                    |
|       | PT16371MD   | 1   | /P    | Guide Bar (Power Tip) 16" (3/8" pitch)    |
|       | H1N7256AH   | 1   | S     | Chain 12" (3/8" pitch)                    |
|       | PT18371MD   | 1   | /P    | Guide Bar (Power Tip) 18" (3/8" pitch)    |
|       | H1N7262AH   | 1   | S     | Chain 12" (3/8" pitch)                    |
|       | PL13321MA   | 1   |       | Guide Bar (Power Tip) 13" (.325 pitch)    |
|       | D1L7256AH   | 1   |       | Guide Bar (Power Tip) 13" (.325 pitch) Or |
|       | D1L7356AH   | 1   |       | Guide Bar (Power Tip) 13" (.325 pitch)    |
|       | PL15321MA   | 1   |       | Guide Bar (Power Tip) 15" (.325 pitch)    |
|       | D1L7264AH   | 1   |       | Guide Bar (Power Tip) 15" (.325 pitch) Or |
|       | D1L7364AH   | 1   |       | Guide Bar (Power Tip) 15" (.325 pitch)    |
|       | PT16321MA   | 1   |       | Guide Bar (Power Tip) 16" (.325 pitch)    |
|       | D1L7266AH   | 1   | S     | Guide Bar (Power Tip) 16" (.325 pitch) Or |
|       | D1L7366AH   | 1   |       | Guide Bar (Power Tip) 16" (.325 pitch)    |
|       | PT18321MA   | 1   | S     | Guide Bar (Power Tip) 18" (.325 pitch)    |
|       | D1L7272AH   | 1   |       | Guide Bar (Power Tip) 18" (.325 pitch) Or |
|       | D1L7372AH   | 1   |       | Guide Bar (Power Tip) 18" (.325 pitch)    |
|       | PT20321MA   | 1   | /P    | Guide Bar (Power Tip) 20" (.325 pitch)    |
|       | D1L7278AH   | 1   |       | Guide Bar (Power Tip) 20" (.325 pitch) Or |
|       | D1L7378AH   | 1   |       | Guide Bar (Power Tip) 20" (.325 pitch)    |
|       | PS24823     | 1   | /P    | Sealant Silicon                           |
|       | UP06561     | 1   | S/P   | Rubber tubing (10')                       |
|       | 09207       | 1   | /P    | Wrench - Combination                      |
|       | 18416       | 1   |       | Digital Tachometer                        |
|       | 18453       | 1   | /P    | Grease, Multi-purpose                     |
|       | 94194       | 1   | /P    | Compression Tester                        |
|       | UP07160     | 1   | S/P   | Bit, Torx T27                             |
|       | UP04562     | 1   | S/P   | Carry Case                                |
|       | UP06732     | 1   | S/P   | Bumper Spike Kit                          |



| Ref # | Part Number | Qty | S/P/F | Description  |
|-------|-------------|-----|-------|--|
| 1     | UP06752     | 1   | S/P   | Muffler Kit (33/38cc); Includes items 2-7  |
|       | UP00126     | 1   | S     | Muffler Kit (45cc)   |
| 2     | UP04183     | 1   | S     | Muffler Gasket   |
| 3     | UP04049     | 3   | S/P   | Screw-Square Hd.   |
| 4     | UP04059     | 3   | S/P   | Nut-Locking Hex (10-32) Torque Specs<br>50-60 In/Lbs; 5.6-6.7 Nm                 |
| 5     | UP04203     | 1   | S     | Screen, Spark  |
| 6     | UP04204     | 1   | S/P   | Deflector, Muffler (33/38cc)   |
|       | UP04169     | 1   | S     | Deflector, Muffler (45cc)  |
| 7     | UP04244     | 1   | S/P   | Screw  |
| 8     | UP06737     | 1   | S/P   | Carburetor Assembly (33 & 38cc); Includes<br>items 9-10                          |
|       | UP00125     | 1   | S/P   | Carburetor Assy (45cc)   |
|       | A09160      | 1   |       | Carburetor Assy (i3350b, i3850b only)  |
| 9     | UP04094     | 1   | S     | Carburetor Gasket  |
| 10    | UP04217     | 2   | S     | Flange Nut (10-24) Torque Specs 30-40<br>In/Lbs; 3.4-4.5 Nm                      |
| 11    | UP04218     | 1   | S/P   | Throttle Cable   |
| 12    | UP04184     | 1   | S/P   | Gasket, Heat Dam   |
| 13    | UP04173     | 1   | S     | Heat Dam   |
| 14    | UP04191     | 1   | S     | Seal, Heat Dam   |
| 15    | UP04084     | 2   | S/P   | Screw, Truss Hd. Taptite (10-24 x 7/8")<br>Torque Specs 45-55 In/Lbs; 5.0-6.2 Nm |
| 16    | UP04189     | 2   | S     | Screw, Carburetor  |
| 17    | UP03897     | 1   | S     | Screw, Thread Form (10-14 x 1/2") Torque<br>Specs 30-40 In/Lbs; 3.4-4.5 Nm       |
| 18    | 12789       | 1   | /P    | Washer, Retaining  |
| 19    | UP04211     | 1   | S     | Fuel Line (Tank to Carburetor 8 1/2")  |
| 20    | UP04209     | 1   | S/P   | Fuel Line (Carburetor to Purge Bulb 4")  |
| 21    | UP04171     | 1   | S     | Carburetor Grommet   |
|       | UP06753     | 1   | S/P   | Air Filter Kit Includes items 22-24  |
| 22    | UP04533     | 1   | S     | Air Filter Cover   |
| 23    | UP04208     | 1   | S     | Pre Filter (In engine housing)   |
| 24    | UP04235     | 2   | S     | Screw-Slotted Pan Hd. (8-16 x 5/8") Torque<br>Specs 15-20 In/Lbs; 1.7-2.3 Nm     |
| 25    | UP04213     | 1   | S     | Rod, Choke   |
| 26    | UP04178     | 1   | S     | Air Filter Plate   |
| 27    | UP04227     | 1   | S     | Spring Clip (Choke Rod)  |

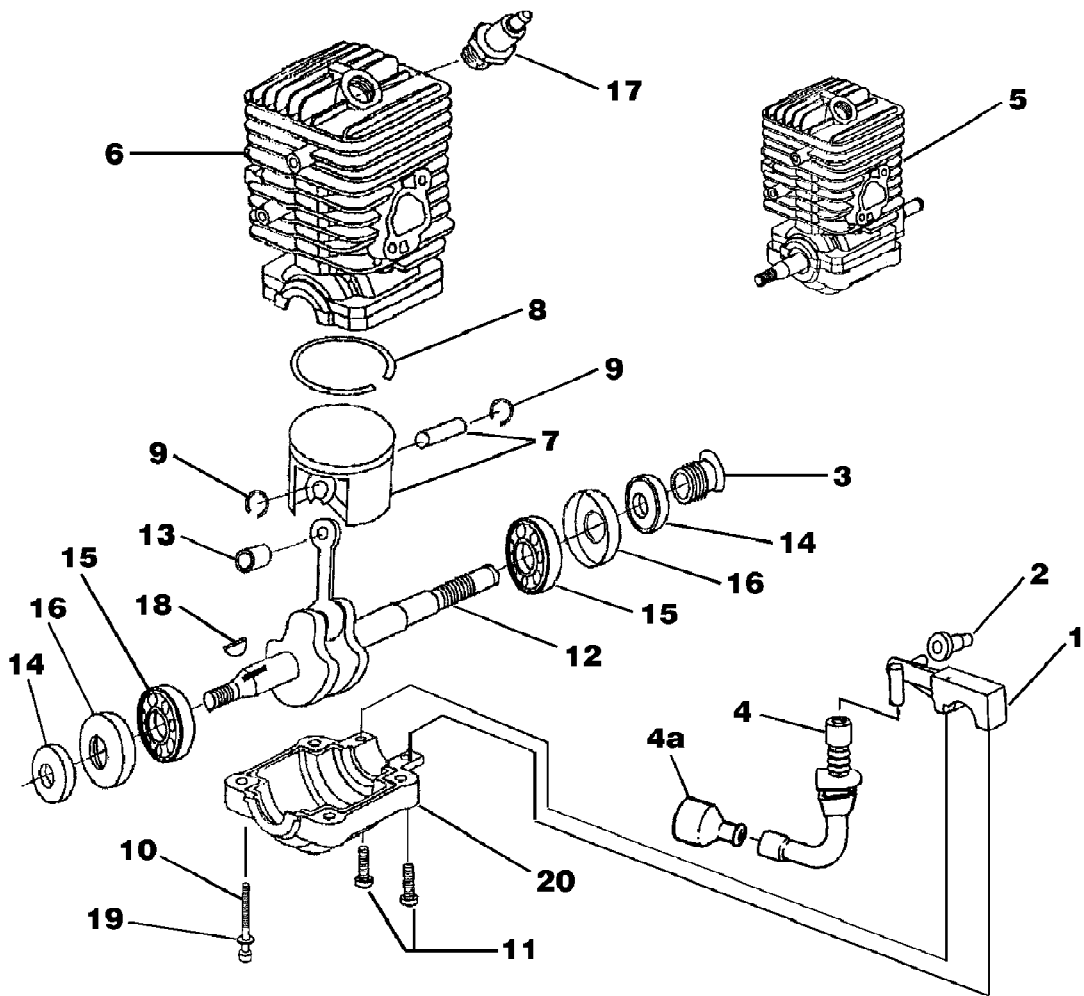


| Ref # | Part Number | Qty | S/P/F | Description   |
|-------|-------------|-----|-------|---|
| 1     | UP06568     | 1   | S/P   | Hand Guard Kit Includes items 2-5   |
| 2     | UP04214     | 1   | S     | Hand Guard Actuating Pin  |
| 3     | UP04054     | 1   |       | Retaining Ring  |
| ?4    | UP04207     | 1   | /P    | Hand Guard Link (Non-chain brake units-not shown)                         |
| ?5    | UP04090     | 1   | S     | Roll Pin (Non-chain brake units-not shown)                                |
| 6     | UP04224     | 1   | S     | Spring, Handguard   |
| 7     | UP04202     | 1   | S     | Pivot, L.H.   |
| 8     | UP04201     | 1   | S     | Pivot, R.H.   |
| 9     | UP04240     | 1   | S     | Screw, Hex Socket Hd. (8-32 x 5/8") Torque Specs 25-35 In/Lbs; 2.8-3.9 Nm |
| 10    | UP04180     | 2   | S     | Guide Bar Bolt  |
|       | UP06966     | 1   | S/P   | Guide Bar Adjusting Kit Includes items 11-15                              |
| 11    | UP04206     | 1   | S/P   | Plate, Guide Bar  |
| 12    | UP04085     | 1   | S/P   | Plate, Guide Bar  |
| 13    | UP04187     | 1   | S     | Screw, Guide Bar Adjusting  |
| 14    | UP04186     | 1   | S     | Pin, Guide Bar Adjusting  |
| 15    | UP04056     | 1   | S     | Ring, Retaining   |
| 16    | UP04082     | 1   | S     | Screw, Thread Form (6-19 x 1/2") Torque Specs 8-18 In/Lbs; .9-2.0 Nm      |
| 17    | A08680A     | 1   | S/P   | Chain Brake Kit Includes items 19-21                                      |
| 19    | UP04309     | 1   | S/P   | Cover, Chain Brake  |
| 18    | UP04181     | 1   | S     | Pin, Roll   |
| 20    | UP04082     | 1   | S     | Screw, Pan Hd. (6-19 x 1/2") Torque Specs 10-20 In/Lbs; 1.1-2.3 Nm        |
| 21    | UP04239     | 1   | S     | Screw, Pan Hd. (8-16 x .320) Torque Specs 20-30 In/Lbs; 2.3-3.4 Nm        |
| 22    | UP04223     | 1   | S     | Chain Brake Link  |
| 23    | UP04090     | 1   | S     | Pin, Roll   |
| 24    | UP04182     | 1   | S     | Thrust Washer   |
| 25    | UP06727     | 1   | S/P   | Clutch & Hardware Torque Specs 130-180 In/Lbs; 14.7-20.3 Nm               |
| 26    | UP06967     | 1   | S     | Sprocket, Drum (3/8 Pitch) Includes items 27-28                           |
|       | UP04560     | 1   | S/P   | Sprocket, Drum (.325 Pitch) (i3850b & 45cc only)                          |
| 27    | UP04175     | 1   | S     | Bearing, Needle   |
| 28    | UP04228     | 1   | S/P   | Ring, Retaining   |
| 29    | UP04179     | 1   | S/P   | Washer, Cupped  |
| 30    | UP06975     | 1   | S/P   | Drive Case Cover Includes items 31-32                                     |
| 31    | UP04088     | 1   | S     | Stop, Chain   |
| 32    | UP03900     | 1   | S/P   | Screw, Thread Form (10-14 x 3/4") Torque Specs 30-50 In/Lbs; 3.4-5.6 Nm   |
| 33    | UP04058     | 2   | S     | Nut, Hex Torque Specs Hand Tight  |
| 34    | UP04032     | 1   | S     | Spring, Compression   |

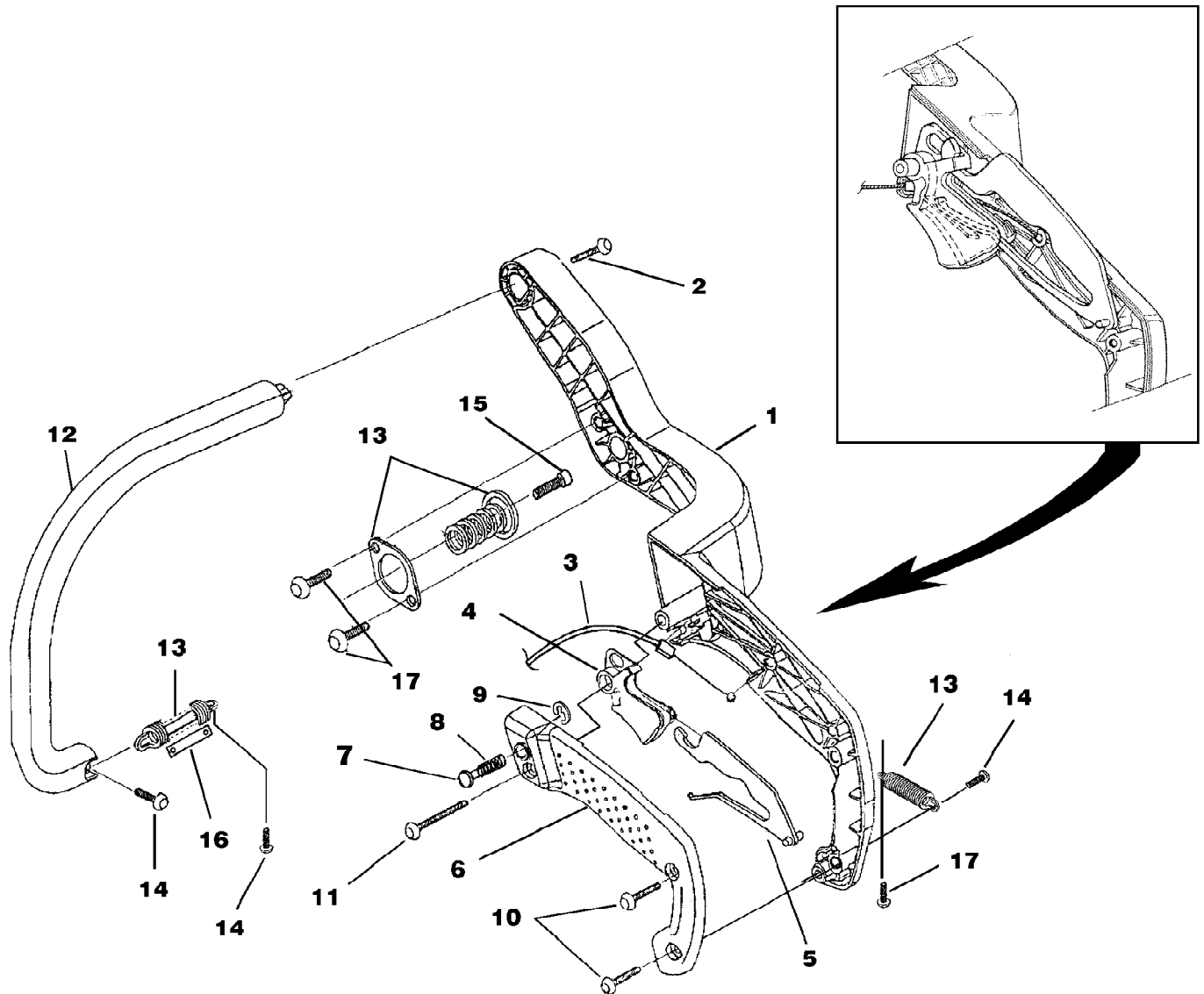


| Ref # | Part Number | Qty | S/P/F | Description   |
|-------|-------------|-----|-------|---|
| 1     | A08692      | 1   | S     | Cylinder Cover Kit Includes items 2-3                                       |
| 2     | UP04212     | 1   | S     | Safety Decal  |
| 3     | UP04219     | 3   | S     | Screw-Slotted Pan Hd. Torque Specs 15-25<br>In/Lbs; 1.7-2.8 Nm              |
| 4     | UP04193     | 1   | S/P   | Control Panel   |
| 5     | UP04052     | 1   | S     | Grommet   |
| 6     | UP04213     | 1   | S     | Rod, Choke  |
| 7     | UP04033     | 1   | S/P   | Bulb, Air Purge   |
| 8     | UP04218     | 1   | S/P   | Throttle Cable  |
| 9     | UP04197     | 1   | S/P   | Switch, Rocker  |
| 10    | UP04215     | 2   | S     | Grommet - Split   |
| 11    | A08892      | 1   | S     | Engine Housing Includes items 12-20   |
| 12    | UP04205     | 2   | S     | Element, Filter (Bronze)  |
| 13    | UP04045     | 2   | S     | Duck Bill Valve   |
| 14    | UP04185     | 1   | S     | Oil Outlet Grommet  |
| 15    | UP04048     | 1   | S/P   | Oil Intake Tube   |
| 16    | UP04210     | 1   | S/P   | Rubber Tubing (5 1/2")  |
| 17    | UP04211     | 1   | S     | Rubber Tubing (8 1/2")  |
| 18    | UP03871     | 1   | S/P   | Fuel Filter   |
| 19    | DA07590     | 1   | S     | Fuel Cap w/ Retainer  |
| 20    | DA07591     | 1   |       | Oil Cap w/ Retainer   |
|       | UP04054     | 1   |       | Oil Filter (Not Shown)  |
|       | UP04180     | 2   | S     | Guide Bar Bolt (Not Shown)  |
| 21    | UP04221     | 3   | S     | Speed Nut ("U-Type")  |
| 22    | UP04083     | 4   | S     | Screw, Cap-Socket Hd. (10-24 x 2") Torque<br>Specs 65-76 In/Lbs; 7.3-8.5 Nm |
| 23    | UP04087     | 4   | S     | Washer  |
| 24    | UP04208     | 1   | S     | Pre Filter  |
| 25    | UP04227     | 1   | S     | Spring Clip (Choke Rod)   |
| 26    | UP04054     | 1   |       | Oil Filter  |

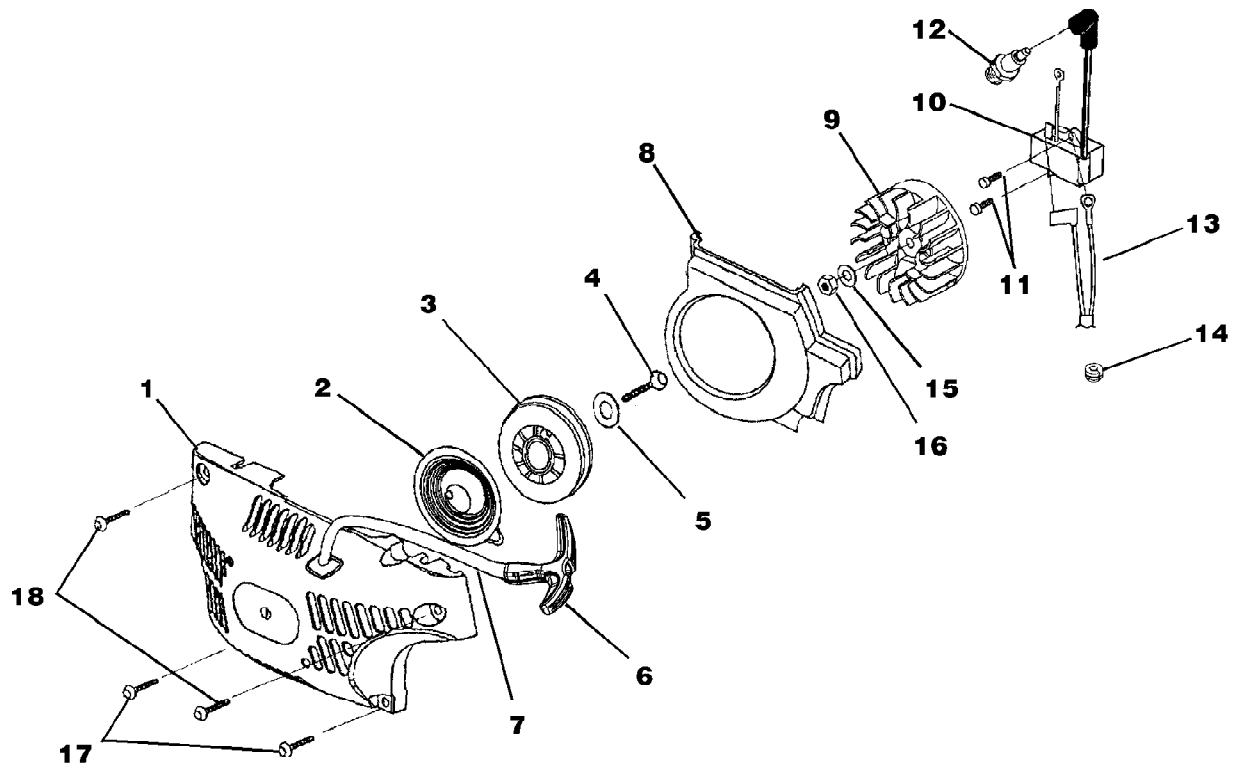




| Ref # | Part Number | Qty | S/P/F | Description  |
|-------|-------------|-----|-------|--|
| 1     | UP06602     | 1   | /P    | Oil Pump Kit Includes items 2-4A   |
| 2     | UP04185     | 1   | S     | Grommet, Oil Outlet  |
| 3     | UP04188     | 1   | S     | Left Hand Worm   |
| 4     | UP04048     | 1   | S/P   | Tube, Oil Intake   |
| 4A    | UP04054     | 1   |       | Oil Filter   |
| 5     | UP03696     | 1   | /P    | Short Block Complete (33cc); Includes items 6-16   |
|       | UP03853     | 1   | /P    | Short Block Complete (38cc)  |
|       | UP04168     | 1   | /P    | Short Block Complete (45cc)  |
| 6     | A08666      | 1   | S     | Cylinder Kit (33cc)  |
|       | A08667      | 1   | S/P   | Cylinder Kit (38cc)  |
|       | UP00129     | 1   | S     | Cylinder Kit (45cc)  |
|       | UP04183     | 1   | S     | Gasket, Muffler (Not Shown)  |
|       | UP04184     | 1   | S/P   | Gasket, Heat Dam (Not Shown)   |
|       | UP04094     | 1   | S     | Gasket, Carburetor (Not Shown)   |
| 7     | UP06971     | 1   | S/P   | Piston & Pin (33cc); Includes items 8-9  |
| 8     | UP04177     | 1   | S     | Piston Ring (33cc)   |
| 9     | UP04051     | 2   | S     | Ring, Retaining  |
| 7     | UP06972     | 1   | S/P   | Piston & Pin (38cc); Includes items 8-9  |
| 8     | UP04190     | 1   | S     | Piston Ring (38cc)   |
| 9     | UP04051     | 2   | S     | Ring, Retaining  |
| 7     | UP00130     | 1   | S     | Piston & Pin (45cc); Includes items 8-9  |
| 8     | UP04231     | 1   | S     | Piston Ring (45cc)   |
| 9     | UP04051     | 2   | S     | Ring, Retaining  |
| 10    | UP04083     | 4   | S     | Screw, Cap-Socket Hd. (10-24 x 2") Torque Specs 65-75 In/Lbs; 7.3-8.5 Nm; Required Loctite 262 Red |
| 11    | UP03898     | 2   | S     | Screw, Pan Hd., Plastite (8-16 x 5/8") Torque Specs 15-20 In/Lbs; 1.7-2.3 Nm                       |
| 12    | UP03587     | 1   | /P    | Crankshaft & Rod Assy (33 & 38cc); Includes items 13-16  |
|       | UP00131     | 1   | S     | Crankshaft & Rod Assy (45cc)   |
| 13    | UP04174     | 1   | S/P   | Bearing, Needle  |
| 14    | UP04047     | 2   | S     | Shaft Seal   |
| 15    | UP04176     | 2   | S/P   | Bearing & Rubber Case Includes item 16   |
| 16    | UP04046     | 2   | S     | Rubber Case  |
| 17    | UP04093     | 1   | S     | Spark Plug Torque Specs 120-180 In/Lbs; 13.6-20.3 Nm   |
| 18    | UP03874     | 1   | S     | Woodruff Key   |
| 19    | UP04087     | 4   | S     | Washer   |
| 20    | UP04172     | 1   | S     | Lower Crankcase (33 & 38cc)  |
|       | UP04232     | 1   | S     | Lower Crankcase (45cc)   |



| Ref # | Part Number | Qty | S/P/F | Description   |
|-------|-------------|-----|-------|---|
| 1     | UP06977     | 1   | S     | Rear Handle Kit Includes items 2-11                                       |
| 2     | UP04234     | 1   | S/P   | Screw-Pan Hd. (12-14 x 1 1/2") Torque Specs 40-50 In/Lbs; 4.5-5.6 Nm      |
| 3     | UP04218     | 1   | S/P   | Throttle Cable  |
| 4     | UP04195     | 1   | S/P   | Trigger, Throttle   |
| 5     | UP04196     | 1   | S     | Throttle Lock Out   |
| 6     | A08683      | 1   | S     | Handle Cover Kit  |
| 7     | UP04199     | 1   | S     | Throttle Lock Pin   |
| 8     | UP04226     | 1   | S     | Spring, Compression   |
| 9     | UP04050     | 1   | S     | Ring, Retainer  |
| 10    | UP03900     | 2   | S/P   | Screw, Thread Form (10-14 x 3/4") Torque Specs 30-40 In/Lbs; 3.4-4.5 Nm   |
| 11    | UP04238     | 1   | S     | Screw, Thread Form (10-14 x 1 3/8") Torque Specs 30-40 In/Lbs; 3.4-4.5 Nm |
| 12    | UP06973     | 1   | S/P   | Front Handle Kit  |
|       | UP04234     | 1   | S/P   | Screw-Pan Hd. (12-14 x 1 1/2") (See No. 2 above)                          |
| 13    | A08677      | 1   | S     | Isolator Kit Includes items 14-16   |
| 14    | UP04237     | 3   | S     | Screw, Truss Hd. (10-14 x 5/8") Torque Specs 30-40 In/Lbs; 3.4-4.5 Nm     |
| 15    | UP04233     | 1   | S     | Screw, Truss Hd. (10-24 x 5/8") Torque Specs 40-50 In/Lbs; 4.5-5.6 Nm     |
| 16    | UP04200     | 1   | S     | Limitier, Isolator  |
| 17    | UP03897     | 3   | S     | Screw, Thread Form (10-14 x 1/2") Torque Specs 30-40 In/Lbs; 3.4-4.5 Nm   |



| Ref # | Part Number | Qty | S/P/F | Description   |
|-------|-------------|-----|-------|---|
| 1     | A08679A     | 1   | S     | Starter Kit Includes items 2-7  |
| 2     | UP04092     | 1   | S     | Spring & Container  |
| 3     | UP05460     | 1   | S/P   | Pulley, Starter   |
| 4     | UP04237     | 1   | S     | Screw, Thread Form (10-14 x 5/8") Torque Specs 30-40 In/Lbs; 3.4-4.5 Nm |
| 5     | UP04089     | 1   | S/P   | Washer, Retaining   |
| 6     | UP04216     | 1   | S     | Grip, Starter   |
| 7     | UP03911     | 1   | S     | Rope, Starter 46"   |
| 8     | UP04192     | 1   | S     | Baffle, Fan Housing   |
| 9     | UP04242     | 1   | S/P   | Rotor & Starter Pawl  |
| 10    | A08676A     | 1   | S     | Ignition Kit (33cc models); Includes item 11                            |
|       | UP05851     | 1   | S     | Ignition Kit  |
| 11    | UP04086     | 2   | S/P   | Screw, Thread Form (8-32 x 5/8") Torque Specs 30-40 In/Lbs; 3.4-4.5 Nm  |
| 12    | UP04093     | 1   | S     | Spark Plug Torque Specs 120-180 In/Lbs; 13.6-20.3 Nm                    |
| 13    | UP04222     | 1   | S     | Ignition Switch Harness   |
| 14    | UP04215     | 1   | S     | Grommet, Wire Harness (Split)   |
| 15    | UP04241     | 1   | S/P   | Washer, Flat  |
| 16    | UP04081     | 1   | S     | Nut, Jam Torque Specs 100-150 In/Lbs; 11.3-16.9 Nm                      |
| 17    | UP04236     | 2   | S     | Screw, Truss Hd. (10-14 x 7/8") Torque Specs 30-40 In/Lbs; 3.4-4.5 Nm   |
| 18    | UP04237     | 2   | S     | Screw, Truss Hd. (10-14 x 5/8") Torque Specs 30-40 In/Lbs; 3.4-4.5 Nm   |