

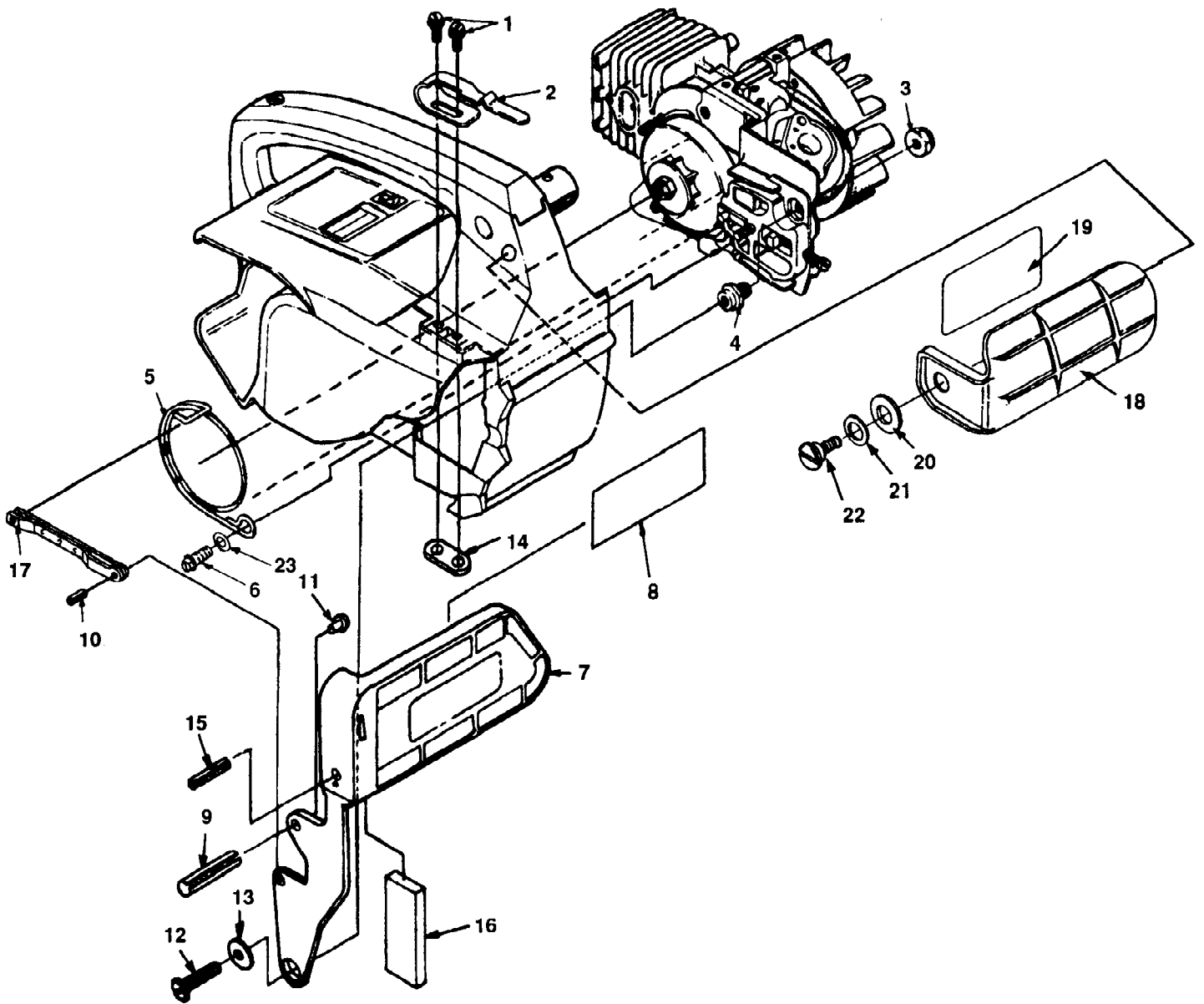
No
Diagram
Available

Parts List
Only

200 Chain Saw UT-10719-E
Accessories

Page 2 of 12

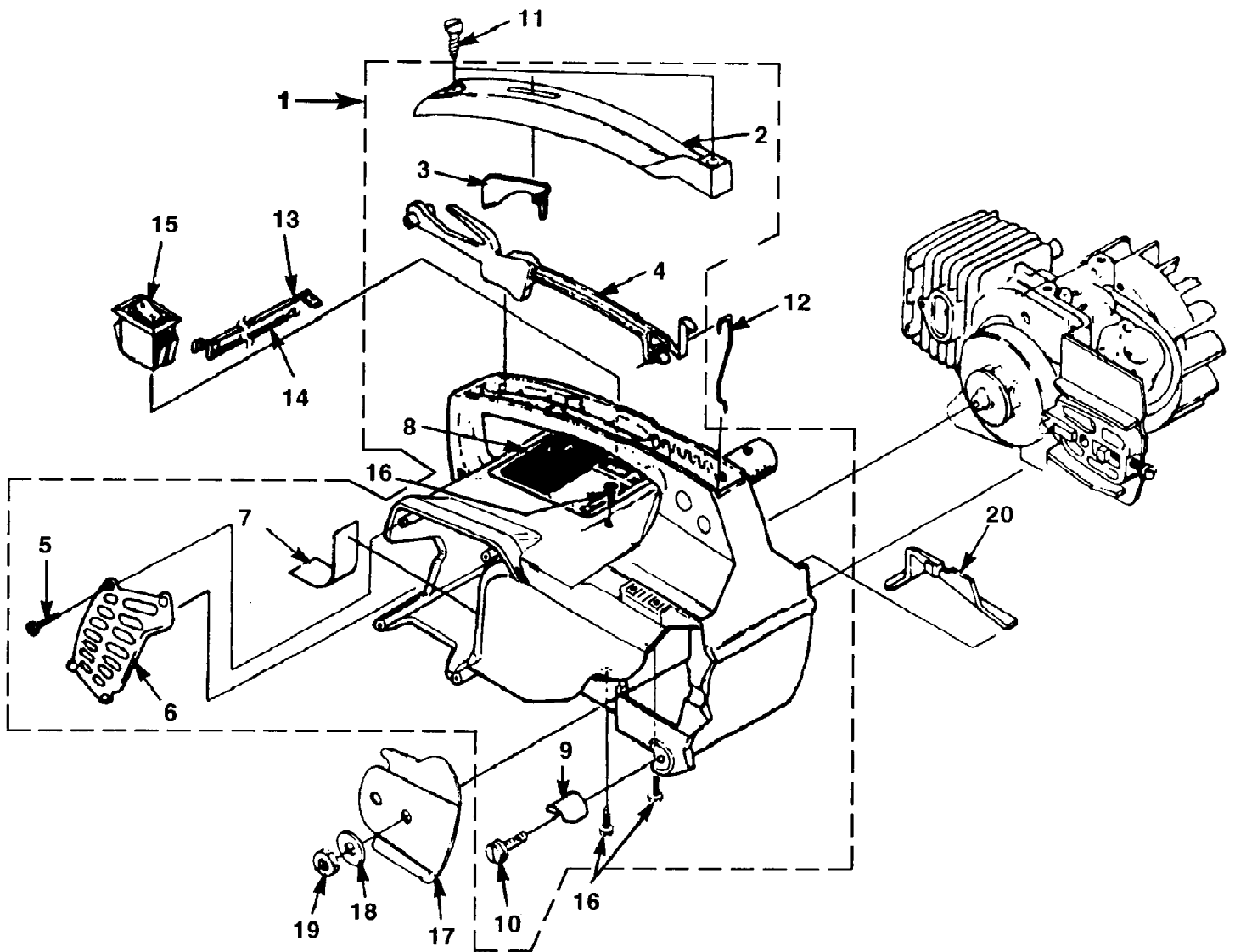
| Ref # | Part Number | Qty | S/P/F | Description |
|-------|-------------|-----|-------|----------------------------------|
| | A70776B | 1 | /P | SAFE T TIP (Standard) |
| | 18453 | 1 | /P | GREASE - Multi Purpose |
| | A70239E | 1 | | KIT - Repair (sprocket nose bar) |
| | D24814B | 1 | | WRENCH (combination) |
| | PS24823 | 1 | /P | SILASTIC (crankcase sealing) |
| | A24747A | 1 | | PULLER - Magneto Rotor |
| | HT10001O4 | 1 | | GUIDE BAR |
| | H1N7242AH | 1 | | (35-MD50-42) CHAIN |
| | HT12001O4 | 1 | | GUIDE BAR |
| | H1N7248BH | 1 | | (35-MD50-48) CHAIN |
| | PT12371O4 | 1 | | GUIDE BAR |
| | H1N7248BH | 1 | | (35-MD50-48) CHAIN |
| | PT14371O4 | 1 | | GUIDE BAR |
| | H1N7253AH | 1 | S | (35-MD50-53) CHAIN |
| | PT16371O4 | 1 | | GUIDE BAR |
| | H1N7259AH | 1 | S | (35-MD50-53) CHAIN |
| | PT18371O4 | 1 | | GUIDE BAR |
| | H1N7264AH | 1 | | (35-MD50-64) CHAIN |
| | JA313164 | 1 | | IGNITION TEST SPARK PLUG |
| | 22486 | 1 | | SHIM (0.015" AIR GAP) |
| | 2498201 | 1 | | T25 TORX DRIVE BIT |
| | 1856601 | 1 | /P | T27 TORX DRIVE BIT |



200 Chain Saw UT-10719-E
Chain Brake

Page 4 of 12

| Ref # | Part Number | Qty | S/P/F | Description |
|-------|-------------|-----|-------|---|
| 1 | 88043 | 2 | /P | SCREW - Hex Hd. w/Washer (8-32 X 1/2") |
| 2 | 02635 | 1 | | CLIP - Retaining |
| 3 | 81124A | 1 | /P | NUT - Hex, Jam |
| 4 | 70636 | 1 | | POST - Chain Brake |
| 5 | 70637C | 1 | S | BAND - Brake |
| 6 | 82538 | 1 | /P | SCREW - Thread Form (10-24 x 3/4") |
| 7 | A03061A | 1 | | HANDGUARD & LEVER (200, Super 2 SL) |
| 8 | 02661 | 1 | | DECAL - Safety |
| 9 | JA461383 | 1 | | PIN - Roll (3/16 X 1") |
| 10 | 95395A | 1 | /P | PIN - Roll |
| 11 | 82367 | 1 | /P | SCREW - Drive |
| 12 | 82166 | 1 | | SCREW - Machine, Pan Hd. (10-32 X 1/2") |
| 13 | 70632 | 1 | /P | WASHER - Flat |
| 14 | 02637 | 1 | | NUT - Weld |
| 15 | JA461361 | 1 | | PIN - Roll |
| 16 | 07567 | 1 | | WEIGHT - Handle (International Only) |
| 17 | A70767 | 1 | | PIVOT - Link |
| 18 | A70796C | 1 | S | HANDGUARD KIT (Super 2, XL, 180 & 192) |
| 19 | 02661 | 1 | | DECAL - Handguard |
| 20 | 95694 | 1 | | WASHER - Curve Spring |
| 21 | 96102 | 1 | | WASHER Flat |
| 22 | 95714 | 1 | S | SCREW - Shoulder |
| 23 | 84008 | 1 | S/P | WASHER - Flat (#10) |

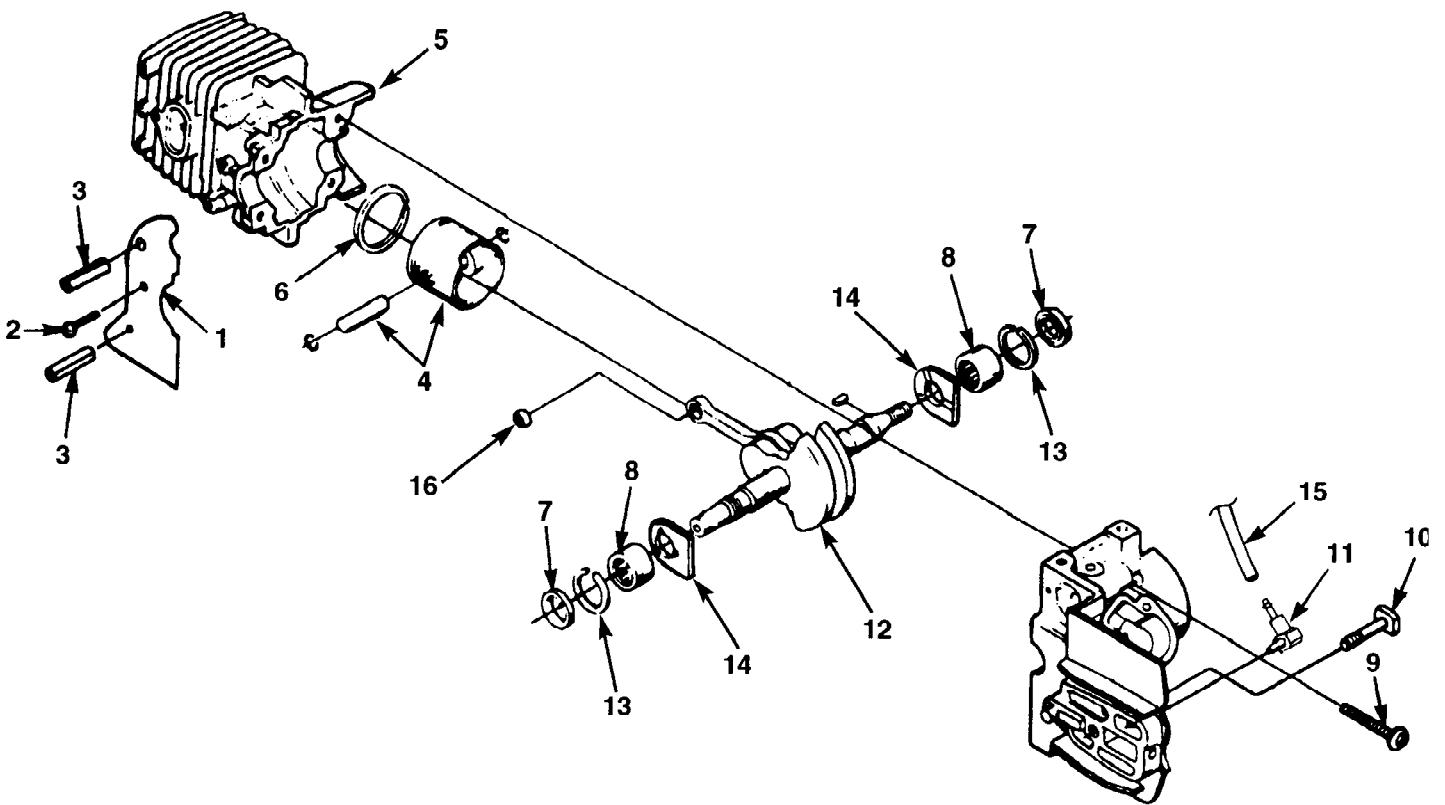


200 Chain Saw UT-10719-E
Engine Housing

Page 6 of 12

| Ref # | Part Number | Qty | S/P/F | Description |
|-------|-------------|-----|-------|--|
| 1 | A07553 | 1 | | ENGINE HOUSING KIT |
| 2 | 02495 | 1 | | COVER - Handle |
| 3 | 02493 | 1 | | LOCK - Trigger |
| 4 | 02492A | 1 | | TRIGGER |
| 5 | 82528 | 4 | /P | SCREW - Pan, plastite (#6 X 3/8") (Torque Specs: 8-12 in/lbs, .9-1.4 Nm) |
| 6 | 02765 | 1 | | SHIELD - Muffler |
| 7 | 95615 | 2 | S/P | TAPE |
| 8 | 02506 | 1 | | DECAL - Warning |
| 9 | 95212 | 1 | /P | STOP - Chain |
| 10 | 82563 | 1 | /P | SCREW - Torx, plastite (#10 X 3/4") (Torque Specs: 30-50 in/lbs, 3.4-5.8 Nm) |
| 11 | 94065 | 2 | | SCREW - Pan, plastite (#10-16 X 3/4") (Torque Specs: 15-20 in/lbs, 1.7-2.3 Nm) |
| 12 | 02501 | 1 | /P | ROD - Throttle |
| 13 | A02482 | 1 | S | LEAD - w/Flag Term. |
| 14 | A02484 | 1 | | LEAD - w/Ring Term. |
| 15 | 02497 | 1 | S/P | SWITCH |
| 16 | 82538 | 4 | /P | SCREW - Torx, taptite (10-24 X 3/4") (Torque Specs: 55-65 in/lbs, 6.3-7.5 Nm) |
| 17 | 04440 | 1 | | PLATE - Guide Bar |
| 18 | 69309A | 1 | /P | WASHER - Flat |
| 19 | 810652 | 1 | S | NUT - Hex |
| 20 | 02481A | 1 | | COVER - AIR Filter |

200 Chain Saw UT-10719-E
Engine Internal (192, Super 2, 200, Super 2 SL)

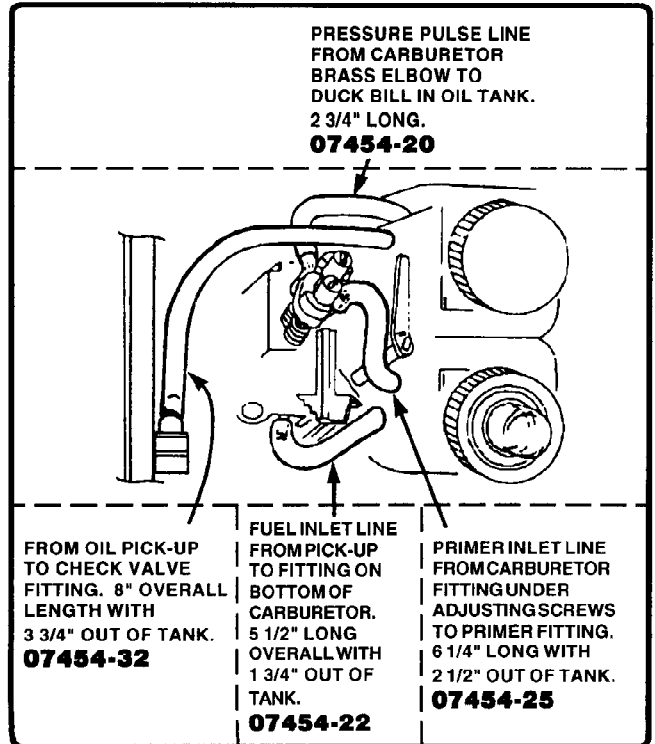
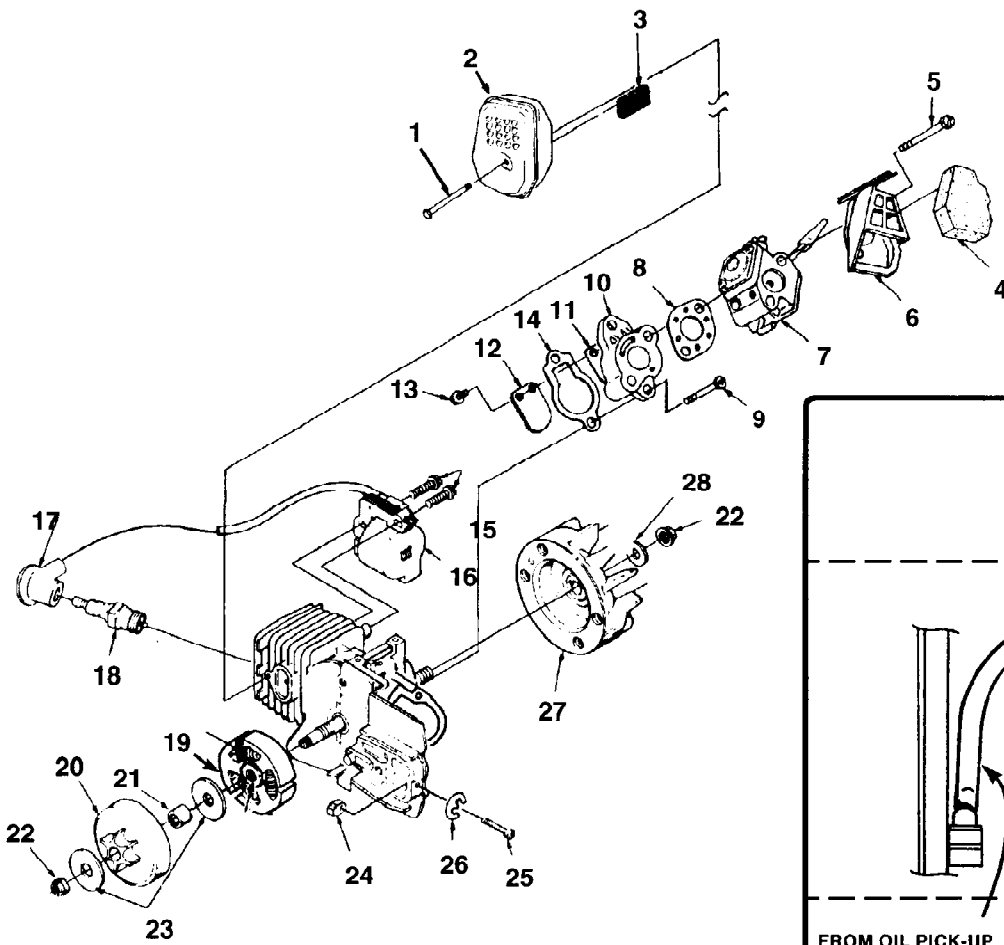


200 Chain Saw UT-10719-E
 Engine Internal (192, Super 2, 200, Super 2 SL)

Page 8 of 12

| Ref # | Part Number | Qty | S/P/F | Description |
|-------|-------------|-----|-------|---|
| 1 | 02639 | 1 | /P | SAW DUST SHIELD |
| 2 | | 1 | | SCREW - Tapping (#6-32 x 5/16") (Not used on this model.) |
| 3 | | 1 | | PIN - Roll (5/32 x 1 1/8") (Not used on this model.) |
| | A01105A | 1 | /P | SHORT BLOCK (192, Super 2, 200, Super 2 SL) |
| | UP00070 | 1 | S | SHORT BLOCK (192, Super 2, 200, Super 2 SL) (After S/N HR0010001) |
| 4 | A98967A | 1 | S | PISTON & PIN ASSY. |
| 5 | 04328A | 1 | S | CYLINDER |
| | UP00071 | 1 | S | CYLINDER (After S/N HR0010001) |
| 6 | 93165 | 1 | | RING - Piston |
| 7 | 07025 | 2 | S | SEAL - Shaft |
| 8 | 12530 | 2 | | BEARING - Needle |
| 9 | 82567 | 4 | | SCREW - Torx Pan Hd. (10-24 x 1 1/8") (Torque Specs: 65-75 in/lbs, 7.5-8.6 Nm) |
| 10 | 69195 | 1 | /P | BOLT - Guide Bar |
| 11 | 07510 | 1 | | VALVE - Check |
| 12 | A97611A | 1 | S | CRANKSHAFT - Rod and Bearing |
| 13 | 07025 | 2 | S | SEAL z - Shaft |
| 14 | 03962 | 2 | | WASHER - Thrust |
| 15 | 0745432 | 1 | | TUBING - Rubber (Oil Line) (8") |
| | 0745499 | 1 | /P | TUBING - Rubber (Oil Line) (10') |
| 16 | 02035 | 1 | /P | BEARING - Wrist Pin |

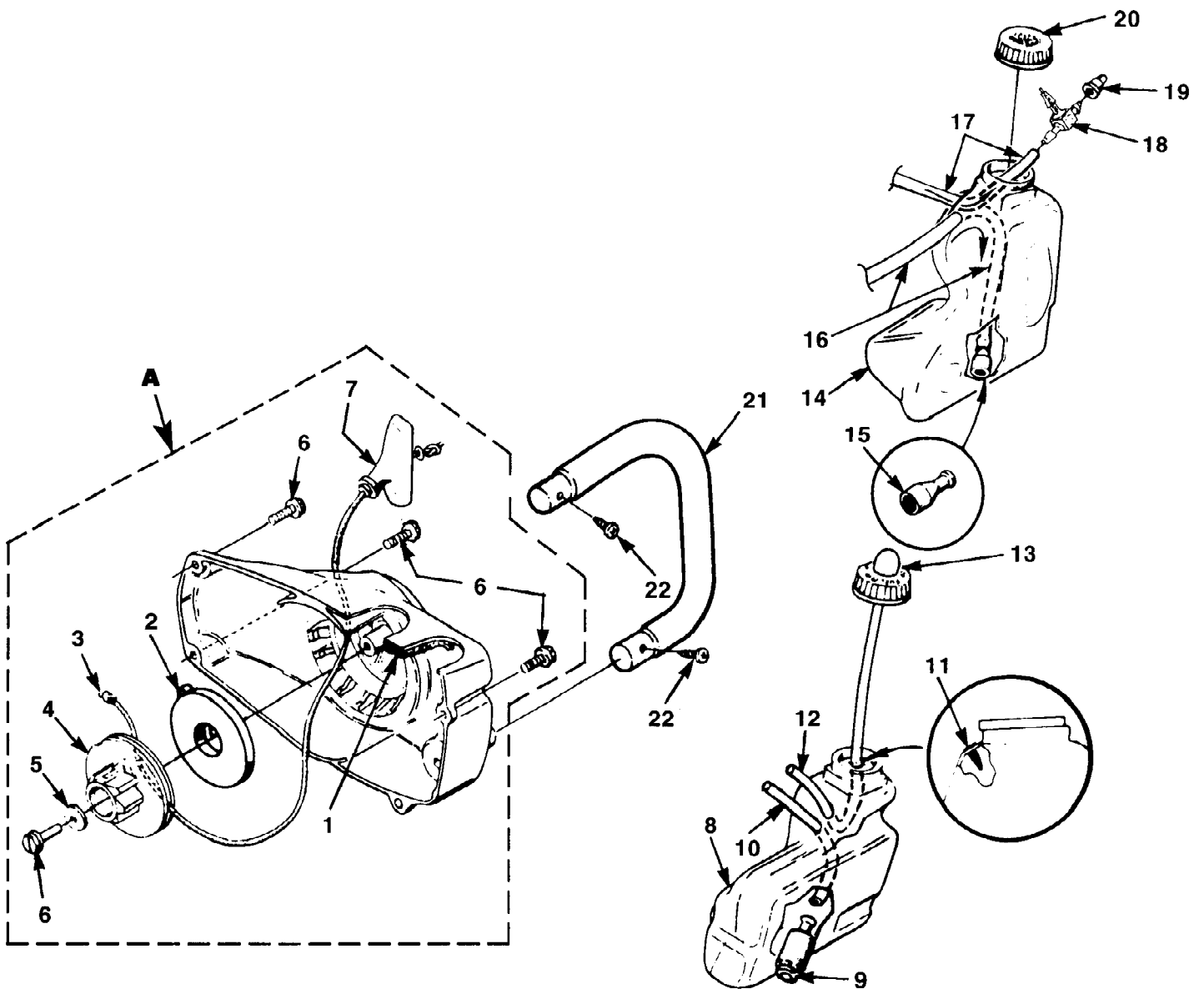
200 Chain Saw UT-10719-E
Ignition, Rotor, Carburetor & Clutch



200 Chain Saw UT-10719-E
Ignition, Rotor, Carburetor & Clutch

Page 10 of 12

| Ref # | Part Number | Qty | S/P/F | Description |
|---------|-------------|-----|-------|---|
| 1 | 93460 | 1 | /P | SCREW - Machine Hex Sems (#8-32 X 3/4") (Torque Specs: 50-60 in/lbs, 5.7-6.9 Nm) |
| 2 | A02459 | 1 | | MUFFLER |
| 3 | 02458 | 1 | | SCREEN - Spark Arrestor |
| 4 | 02500 | 1 | S | FILTER - Air |
| 5 | 00167 | 2 | /P | SCREW - Thread Forming (Torque Specs: 35-45 in/lbs, 4.0-5.2 Nm) |
| 6 | 02491A | 1 | | BOX - Air Filter |
| 7 | A01373B | 1 | /P | CARBURETOR (Zama) |
| 8 | 02488 | 1 | S | GASKET - Carburetor |
| 9 | 82589 | 2 | /P | SCREW - Plastite, (10-14 X 1") (Torque Specs: 65-75 in/lbs, 7.5-8.6 Nm) |
| 10 | A02499 | 1 | | HEAT DAM |
| 11 | 95983 | 1 | S | REED |
| 12 | 03205 | 1 | | STOP - Reed |
| 13 | 82498 | 2 | /P | SCREW - Hex Taptite (4-40 X 3/8") (Torque Specs: 10-15 in/lbs, 1.1-1.7 Nm) |
| 14 | 02453 | 1 | /P | GASKET - Intake Manifold |
| 15 | 82540 | 2 | /P | SCREW - Thread Forming (8-32 X 1") (Torque Specs: 30-40 in/lbs, 3.5-4.6 Nm) |
| 16 | 94711CS | 1 | /P | MODULE - Ignition |
| 17 | A33055 | 1 | /P | TERMINAL |
| 18 | 96169S | 1 | S | SPARK PLUG (Champion DJ7Y) (Torque Specs: 120-180 in/lbs, 13.8-20.7 Nm) |
| | 79252 | 1 | S | SPARK PLUG (Champion RDJ7Y) (Torque Specs: 120-180 in/lbs, 13.8-20.7 Nm) |
| 19 | A97921A | 3 | /P | CLUTCH KIT |
| 20 | A95653E | 1 | /P | SPROCKET & DRUM |
| 21 | 70277 | 1 | S | BEARING |
| 22 | 81229A | 2 | /P | NUT - Rotor (5/16-24) (Torque Specs: 100-150 in/lbs, 11.5-17.3 Nm) |
| 23 | 95299 | 2 | /P | WASHER - Thrust |
| 24 | 692542 | 1 | /P | PIN - Adjusting |
| 25 | A00440 | 1 | /P | SCREW & E-RING KIT |
| 26 | 93574 | 1 | S | E-RING |
| 27 | A04158S | 1 | S | ROTOR & STARTER PAWL |
| 28 | 84065 | 1 | S | WASHER - 5/16" |
| 0745432 | 0745432 | 1 | | LINE - (8") |
| 0745420 | 0745420 | 1 | | PRESSURE PULSE LINE |
| 0745425 | 0745425 | 1 | | PRIMER INLET LINE |
| 0745422 | 0745422 | 1 | /P | FUEL INLET LINE |



200 Chain Saw UT-10719-E
Starter & Fuel Tank

Page 12 of 12

| Ref # | Part Number | Qty | S/P/F | Description |
|-------|-------------|-----|-------|--|
| A | A06268A | 1 | /P | STARTER ASSY., Complete |
| 1 | 69443 | 1 | | FILTER |
| 2 | A97908 | 1 | /P | SPRING & CONTAINER |
| 3 | 9789901 | 1 | /P | ROPE - Starter (46") |
| | 98052A | 1 | /P | ROPE - Starter (250 Ft. Reel) |
| 4 | 97768B | 1 | S | PULLEY - Starter |
| 5 | 94062 | 1 | /P | WASHER - Retaining |
| 6 | 82563 | 5 | /P | SCREW - Torx (#10 X 3/4") (Torque Specs: 30-50 in/lbs, 3.4-5.8 Nm) |
| 7 | 02264 | 1 | S | GRIP - Starter |
| 8 | A06272 | 1 | | FUEL TANK |
| 9 | 49422 | 1 | S | FILTER - Fuel |
| 10 | 0745422 | 1 | /P | LINE - Fuel (5 1/2") |
| 11 | 98819 | 1 | /P | VALVE - Duck Bill |
| 12 | 0745425 | 1 | | TUBING - Return (6 1/4") |
| | 0745499 | 1 | /P | TUBING - Rubber (10 Ft. Length) |
| 13 | A01372A | 1 | /P | PRIMER & CAP |
| 14 | A07554 | 1 | /P | OIL TANK |
| 15 | A68593 | 1 | | FINDER - Oil |
| 16 | 0745432 | 1 | | TUBING - Rubber (8") |
| 17 | 0745420 | 1 | | TUBING - Rubber (5") |
| 18 | A07508 | 1 | | FITTING - Vent |
| 19 | 96841 | 1 | S | VALVE - Check |
| 20 | A97359A | 1 | S | OIL CAP |
| 21 | A07558 | 1 | /P | HANDLE BAR |
| 22 | 94065 | 2 | | SCREW - Pan Plastite (#10-16 X 3/4") (Torque Specs: 15-20 in/lbs, 1.7-2.3 Nm) |