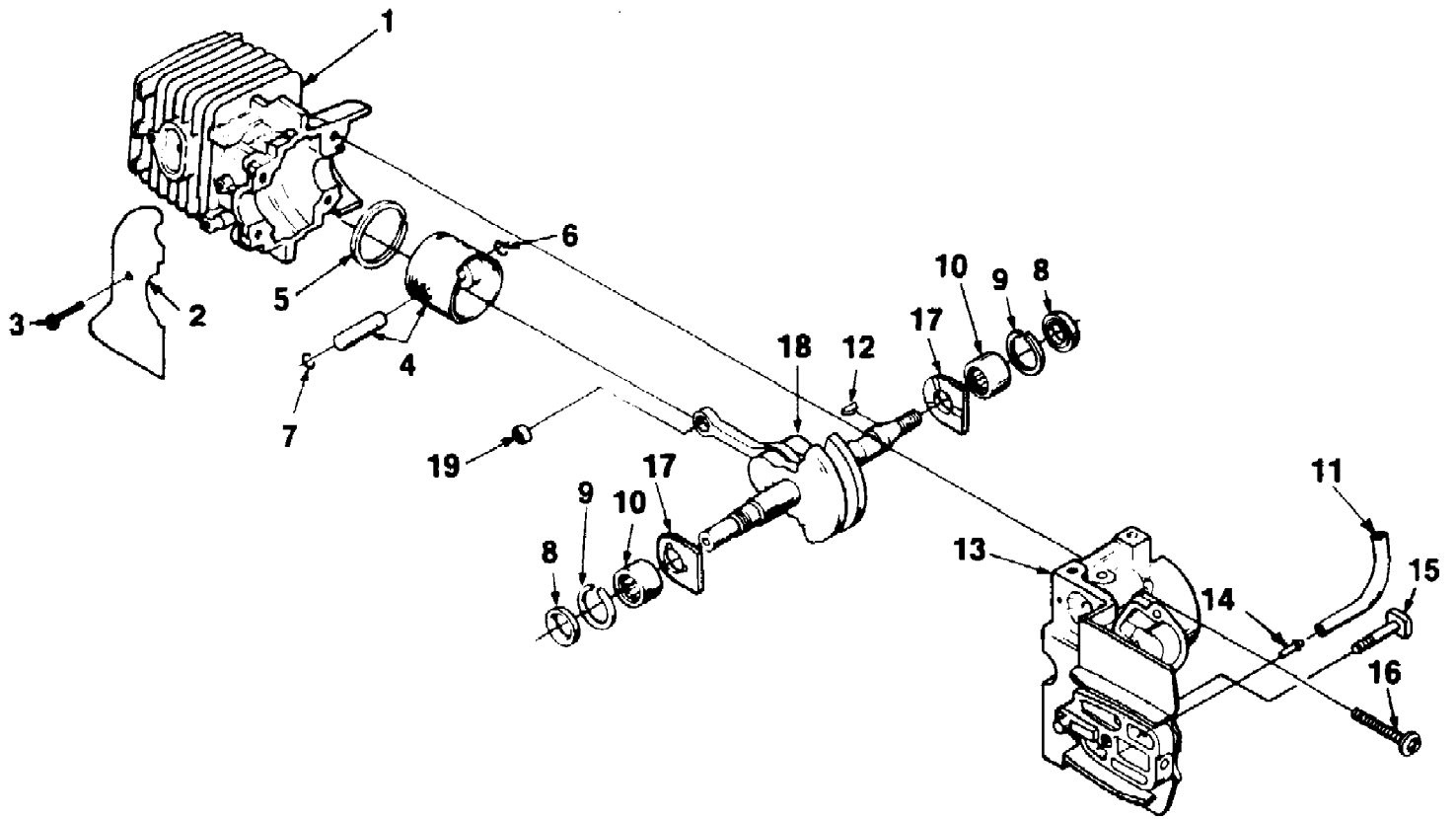


180 Chain Saw UT-10721-A
Carburetor

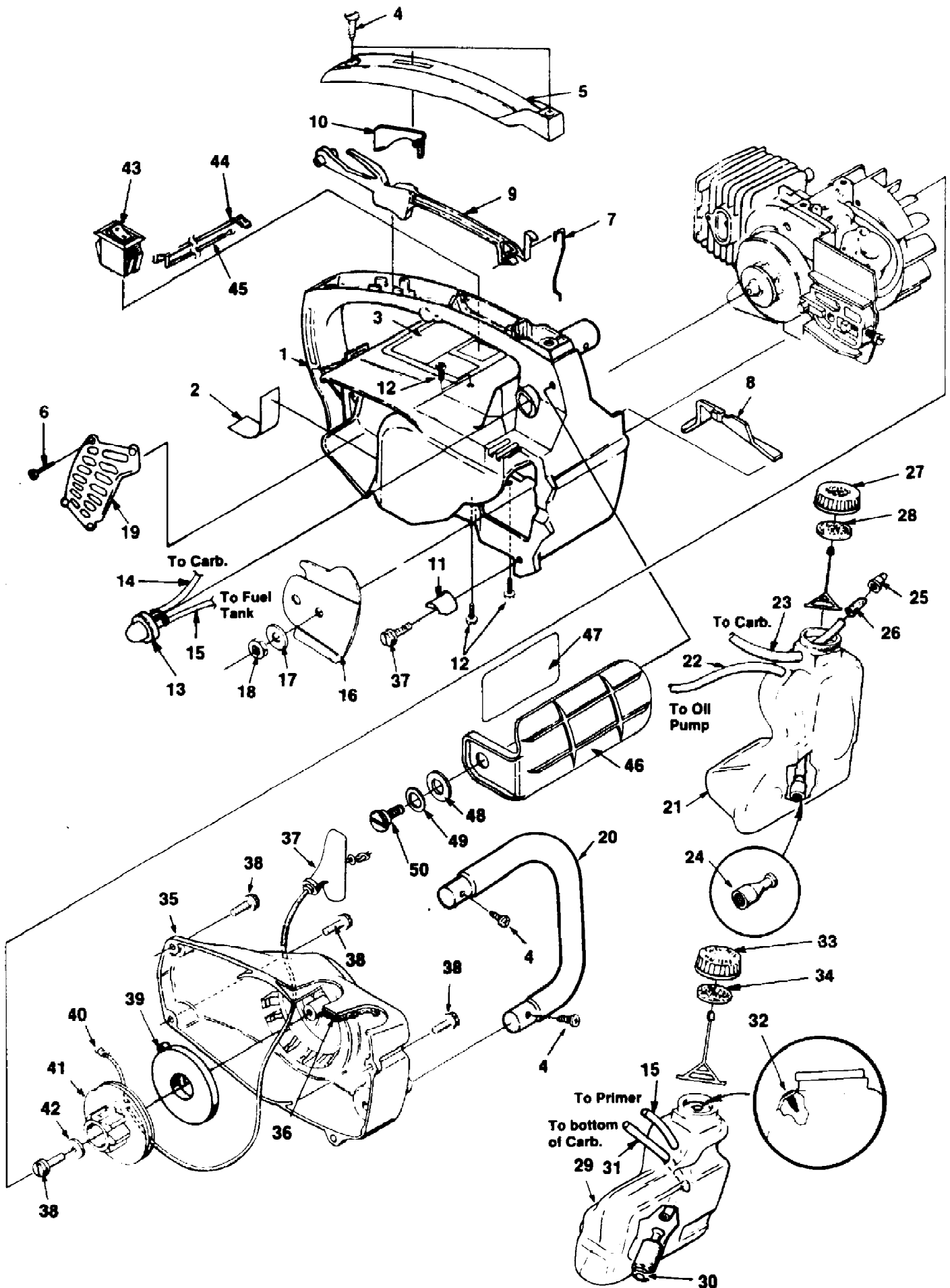
Page 2 of 10

Ref #	Part Number	Qty	S/P/F	Description
1	A03905	1	/P	Repair Kit
	02773	1		Oil Pump Plunger Kit
2	A03905	1	/P	Repair Kit
	02773	1		Oil Pump Plunger Kit
3	A03905	1	/P	Repair Kit
	A03904	1	/P	Gasket/Diaphragm Kit
4	A03905	1	/P	Repair Kit
	A03904	1	/P	Gasket/Diaphragm Kit
5	A03905	1	/P	Repair Kit
	A03904	1	/P	Gasket/Diaphragm Kit
6	A03905	1	/P	Repair Kit
	A03904	1	/P	Gasket/Diaphragm Kit
7	A03905	1	/P	Repair Kit
8	A03905	1	/P	Repair Kit
9	A03905	1	/P	Repair Kit
10	A03905	1	/P	Repair Kit
11	A03905	1	/P	Repair Kit
12	A03905	1	/P	Repair Kit
13	A03905	1	/P	Repair Kit
14	A03905	1	/P	Repair Kit
15	A03905	1	/P	Repair Kit
16	A03905	1	/P	Repair Kit
17	A03905	1	/P	Repair Kit
18	A03905	1	/P	Repair Kit
19	A03905	1	/P	Repair Kit
20	A03905	1	/P	Repair Kit
21	A03905	1	/P	Repair Kit
22	A03905	1	/P	Repair Kit
23	A03905	1	/P	Repair Kit
24	02770	1		Oil Pump Body

180 Chain Saw UT-10721-A
Engine Internals



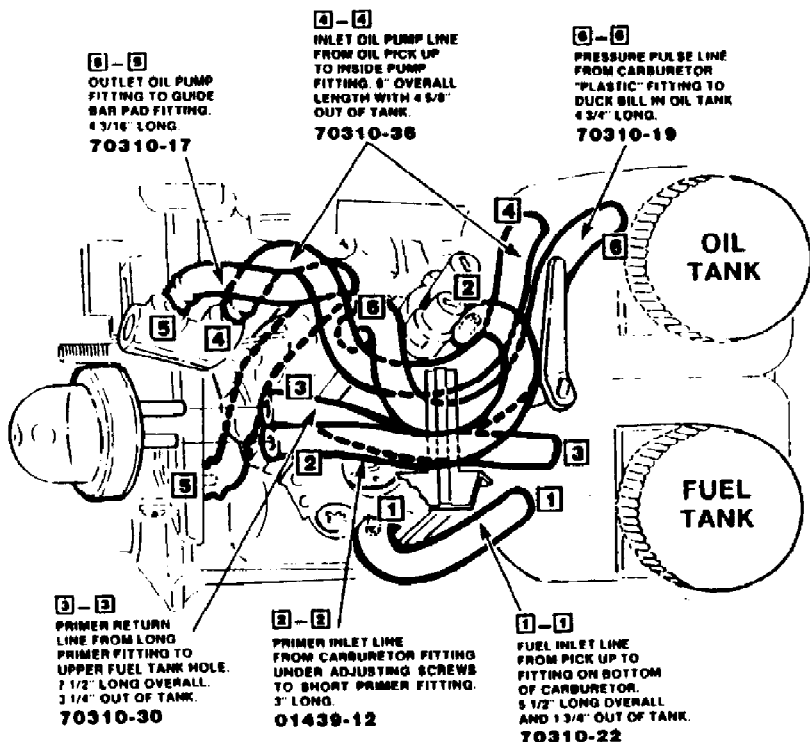
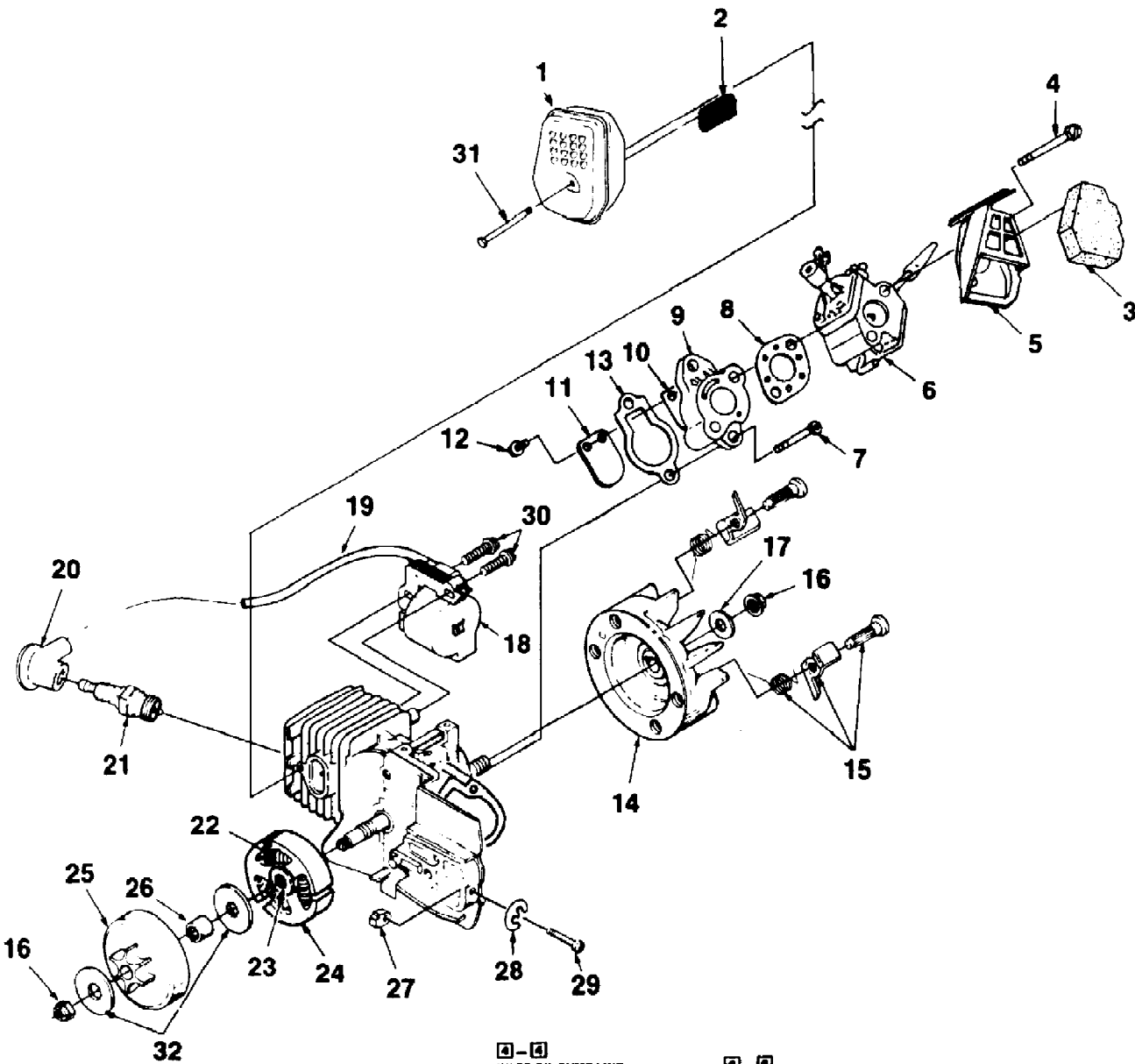
Ref #	Part Number	Qty	S/P/F	Description
1	024852	1	S	CYLINDER (Super 2 Only)
	04328	1	S	CYLINDER (XL Only)
2	02639	1	/P	SHIELD- Sawdust
3	93932	1		SCREW- Tapping (#6-32 x 5/16")
4	A98967A	1	S	PISTON & PIN ASSY (Super 2 Only)
5	93165	1		RING- Piston
6	65261	1	/P	RING- Retaining
7	98096	1		RING- Retaining
	A04330	1	/P	PISTON & PIN ASSY (XL Only)
	04329	1		RING- Piston (See #5)
	65261	1	/P	RING- Retaining (See #6)
	98096	1		RING- Retaining (See #7)
8	94638	2	S	SEAL
9	69407	2	S	SPACER
10	12530	2		BEARING- Needle
11	7031017	2	S	TUBING- Rubber (Oil Line)
12	69250	1	/P	KEY
13	A03060A	1		CRANKCASE ASSY.
14	94619	1		FITTING
15	69195	1	/P	BOLT- Guide bar thd. forming
16	82567	4		SCREW- Torx pan hd. (10-24 x 1 1/8")
17	03962	2		WASHER- Thrust
18	A97611A	1	S	CRANKSHAFT ASSY.
19	02035	1	/P	BEARING
	81229	1		NUT- Lock (Not Shown)



180 Chain Saw UT-10721-A
Housing & Handles

Page 6 of 10

Ref #	Part Number	Qty	S/P/F	Description
1	A03058	1	/P	HOUSING- Engine
2	02640	1		TAPE
3	02490	1		DECAL
	03271	1		DECAL (International Only)
4	94065	4		SCREW- Pan, plastite (#10-16 x 3/4")
5	02495	1		COVER- Handle
6	82528	4	/P	SCREW- Pan plastite (#6-3/8")
7	02501	1	/P	ROD- Throttle
8	02481	1		COVER- Air filter
9	02492A	1		TRIGGER
10	02493	1		LOCK- Trigger
11	95212	1	/P	STOP- Chain
12	82538	4	/P	SCREW- Torx, taptite (#10-24 x 3/4")
13	02487	1	/P	PRIMER BULB
14	0143912	1	S/P	TUBING- Inlet (3")
15	7031030	1	S	TUBING- Return (7")
16	69360A	1		PLATE- Guide bar
17	69309A	1	/P	WASHER- Flat
18	810652	1	S	NUT- Hex
19	02765	1		SHIELD- Muffler
20	02496	1	S	HANDLE BAR
21	A02763	1	S	TANK- Oil
22	7031036	1	S	TUBING- (9")
23	7031019	1	S	TUBING (4 3/4")
24	A68593	1		FINDER- Oil
25	98819	1	/P	VALVE- Check
26	01327	1	/P	FITTING- Oil line
27	A97230A	1		CAP-Oil
28	94494	1	/P	GASKET- Cap
29	A02764	1		TANK- Fuel
30	49422	1	S	FILTER- Fuel
31	7031022	1	S	LINE- Fuel (5 1/2")
32	98819	1	/P	VALVE- Check
33	A97230A	1		CAP- Fuel
34	94494	1	/P	GASKET- Cap
35	A02562B	1	S	STARTER HOUSING ASSY.
36	69443	1		FILTER
37	02264	1	S	GRIP- Starter
38	82563	6	/P	SCREW- Torx, plastite (#10 x 3/4")
39	A97908	1	/P	SPRING & CONTAINER
40	9789901	1	/P	ROPE- Starter
41	97768A	1		PULLEY- Starter
42	94062	1	/P	WASHER- Retaining
43	02497	1	S/P	SWITCH
44	A02482	1	S	LEAD- w/Flag Term.
45	A02484	1		LEAD- w/Ring Term.
46	A70796C	1	S	HANDGUARD KIT
47	02661	1		DECAL- Handguard
48	95694	1		WASHER- Curve spring
49	96102	1		WASHER- Flat
50	95714	1	S	SCREW- Shoulder



FUEL LINE CONNECTION
 ①-① FUEL INLET
 ②-② PRIMER INLET
 ③-③ PRIMER RETURN

OIL LINE CONNECTION
 ④-④ OIL PUMP INLET
 ⑤-⑤ OIL PUMP OUTLET
 ⑥-⑥ OIL TANK PRESSURE

ROUTE LINES AS SHOWN - DO NOT KINK.

180 Chain Saw UT-10721-A
Peripheral Engine Parts

Page 8 of 10

Ref #	Part Number	Qty	S/P/F	Description
1	A02459	1		MUFFLER
2	02458	1		SCREEN- Spark arrestor
3	02500	1	S	FILTER- Air (10-24 x 1 7/8")
4	82578	2	S	SCREW- Shoulder plastite (#10-24 x 1 3/4")
5	02491A	1		BOX- Air filter
6	A02486A	1		CARBURETOR & OIL PUMP ASSY.
7	825491	2	S	SCREW- Torx taptite, thd. forming (10-24 x 1")
8	02488	1	S	GASKET- Carburetor
9	A02499	1		HEAT DAM
10	95983	1	S	REED
11	03205	1		STOP- Reed
12	82498	2	/P	SCREW- Hex Taptite (4-40 x 3/9)
13	02453	1	/P	GASKET- Intake manifold
14	A95007	1	S	ROTOR & STARTER PAWL
15	A70285E	1	/P	KIT- Starter pawl
16	81229	2		NUT- (5/16-24)
17	84065	1	S	WASHER- (5/16")
18	94711CS	1	/P	MODULE
19	69326	1		LEAD- Hi-Tension
20	A33055	1	/P	TERMINAL
21	96169S	1	S	SPARK PLUG (Champion DJ7Y)
	79252	1	S	SPARK PLUG (Champion RDJ7Y) (International Only)
22	98066	3		SPRING- Clutch
23	79221	1	/P	SPIDER- Clutch
24	79222A	3		SHOE- Clutch
25	A95653C	1	S	SPROCKET & DRUM
26	70277	1	S	BEARING
27	692542	1	/P	PIN- Adjusting
28	A00440	1	/P	SCREW & E-RING KIT
29	93574	1	S	E-RING
30	82540	2	/P	SCREW Machine hex sems
31	93460	1	/P	SCREW- Machine hex sems (10-24 x 1 7/8")
32	95299	2	/P	WASHER- Thrust
	A97921A	1	/P	KIT - Clutch complete

**ACCESSORIES
ACCESSOIRES
ZUBEHÖR
ACCESSORIES
ACCESORIOS**

- ▶ **KIT- Repair (sprocket nose bar)**..... A-70239-E
Jeu de réparation (Lame à nez à pignon)
Reparatursatz (Kettenrad-Nasenspitze)
Kit per riparazioni (denta punta lama)
Juego de reparación (extremo barra rueda dentada)
- ▶ **FUEL LINE (10 ft. length)** 70310-99
Conduite de carburant (3 m de long)
Kraftstoffleitung (3 m Länge)
Condotto d'alimentazione (3 m di lunghezza)
Linea de combustible (10 pies de largo)
- ▶ **OIL LINE- (10 ft length)**..... 70309-99
Conduite d'huile (3 m de long)
Ölleitung (3 m Länge)
Condotto dell'olio (3 m di lunghezza)
Linea de aceite (10 pies de largo)
- ▶ **SAFE•T•TIP® (Standard)**..... DA-70776-B
SAFE•T•TIP® (Standard)
SAFE•T•TIP® (Standard)
SAFE•T•TIP® (Standard)
SAFE•T•TIP® (Standard)
- ▶ **GREASE- Multi Purpose (Sprocket bearing-PT guide bar)**18453
Graisse universelle (Palier de pignon-PT - lame-guide)
Mehrzweck-Schmiermittel (Kettenradlager-PT-Führungsschiene)
Grasso, multiuso Cuscinetto della ruota dentata - PT - barra di guida)
Grasa de uso general (Cojinete de la rueda dentada - PT - barra guia)
- ▶ **CARRYING CASE**..... 94216-A
Boitier de transport
Tragekasten
Custodia
Maletin
- ▶ **STARTING ROPE (250 ft. Reel)**..... 98052-A
Cordon de lanceur (75 m bobine)
Starterseil (76 m Spule)
Corda d'avviamento (bobina da 76 m)
Cuerda de arranque (carrete de 76 m)

**TOOLS
OUTILS
WERKZEUGE
ATTREZZI
HERRAMIENTAS**

- ▶ **WRENCH (combination)**..... D-24814-A
Clé combiné
Schraubenschlüssel Kombination
Chiave combinata
Llave combinada
- ▶ **SILASTIC (crankcase sealing)**..... 24823
Silastic (étanchéité du carter)
Silastic (Kurbelgehäuse Dichtung)
Silastic (sigillo di tenuta del carter)
Silastic (sello del cárter)
- ▶ **PULLER- Magneto Rotor**..... A-24747-A
Extracteur, rotor magnéto
Abziehwerkzeug-Magnetrotor
Rotore d'estrazione a magnete
Extractor-rotor de magneto
- ▶ **IGNITION TEST SPARK PLUG** JA-31316-4
Testeur d'allumage
Testzündkerze für Zündprüfung
Candela di collaudo
Bujía para probar el encendido
- ▶ **SHIM (0.015" AIR GAP)**..... 22486
Cale (écart de 0,38 mm)
Distanzscheibe (0,38 mm Luftspalt)
Spessore (spinterometro 0,38 mm)
Suplemento (espacio de 0,38 mm)
- ▶ **T-25 TORX DRIVE BIT**..... 24982-01
Foret torx T-25
T-25 Torx-Antriebsbit
Punta Torx Drive T-25
Broca de empuje T-25 Torx
- ▶ **T-27 TORX DRIVE BIT**..... 18566-01
Foret torx T-27
T-27 Torx-Antriebsbit
Punta Torx Drive T-27
Broca de empuje T-27 Torx

180 Chain Saw UT-10721-A
Tools & Accessories

Page 10 of 10

Ref #	Part Number	Qty	S/P/F	Description
A-70239-E	A70239E	1		KIT- Repair (sprocket nose bar)
7031099	7031099	1	S	FUEL LINE (10 ft. length)
7030999	7030999	1	/P	OIL LINE- (10 ft. length)
DA-70776-B	DA70776B	1		SAFE-T-TIP (Standard)
18453	18453	1	/P	GREASE- Multi Purpose (Sprocket bearing-PT guide bar)
94216-A	94216A	1	S	CARRYING CASE
98052-A	98052A	1	/P	STARTING ROPE (250 ft. Reel)
D-24814-A	D24814A	1		WRENCH (combination)
24823	24823	1	S	SILASTIC (crankcase sealing)
A24747A	A24747A	1		PULLER- Magneto Rotor
JA313164	JA313164	1		IGNITION TEST SPARK PLUG
22486	22486	1		SHIM (0.015" AIR GAP)
2498201	2498201	1		T-25 TORX DRIVE BIT
18566-01	1856601	1	/P	T-27 TORX DRIVE BIT