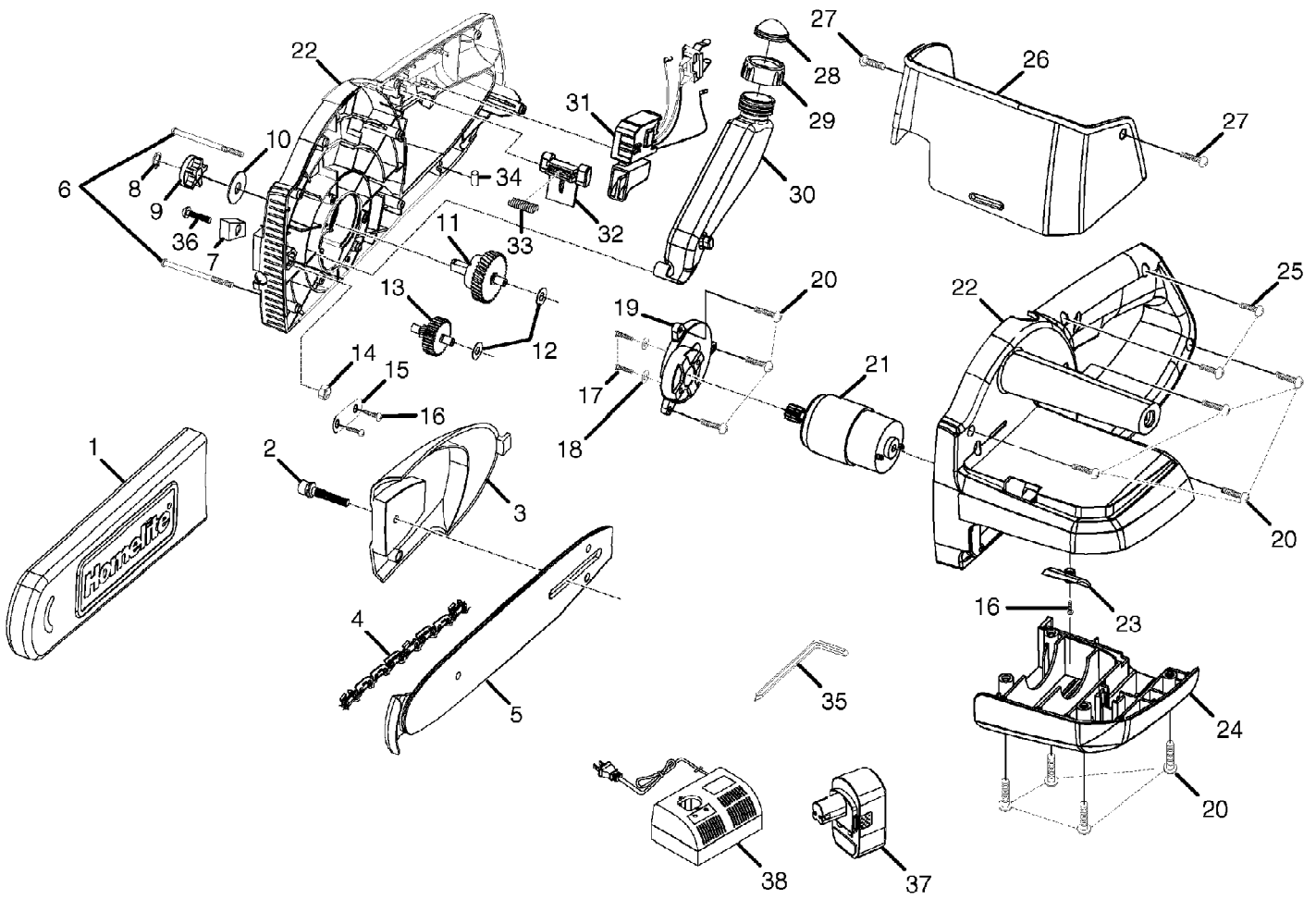


18 Volt Cordless Chain Saw UT-34010
18 Volt Cordless Chain Saw



18 Volt Cordless Chain Saw UT-34010
18 Volt Cordless Chain Saw

Page 2 of 3

Ref #	Part Number	Qty	S/P/F	Description
1	5836301	1	S	GUARD
2	6605802	1		SCREW
3	2019301	1		SPROCKET GUARD
4	6958301	1	S/P	CHAIN, (90JG-040)
5	6222001	1		CHAIN BAR (10 in)
6	6623704	2		SCREW (M4 X 66 mm) Purchase Locally
7	900162004	1		FELT SEAL
8	6760802	1		C-RING
9	6132301	1		SPROCKET
10	6973301	1		COVER PLATE
11	3000343	1		OUTPUT SHAFT ASSEMBLY
12	6906001	2		WASHER
13	3000342	1		OUTPUT SHAFT ASSEMBLY
14	6819602	1		NUT (M6)
15	6985701	1		STEEL PLATE
16	6600506	3		BEARING RETAINER SCREW
17	6621211	2		SCREW (M4 X 12 mm) Purchase Locally
18	6703001	2	/P	SPRING WASHER
19	3076501	1		MOTOR MOUNTING ASSEMBLY
20	6620803	11		SCREW (M4 X 22 mm PAN HD) Purchase Locally
21	2307404	1		MOTOR ASSEMBLY
22	5949701	1		MOTOR HOUSING SUPPORT
23	5958401	1		WIND PLATE
24	2019201	1		LOWER MOTOR HOUSING
25	6620805	2	S/P	SCREW (M4 X 16 mm PAN HD) Purchase Locally
26	200201001	1		FRONT HANDLE GUARD W/LABELS
27	6620604	2		SCREW (M35 X 25 mm) Purchase Locally
28	5950801	1		PRIMER BULB
29	5950701	1		SCREW CAP
30	5836201	1		OIL TANK
31	2701520	1		SWITCH ASSEMBLY
32	5217313	1		SAFETY KNOB
33	6799802	1	/P	SPRING
34	5621901	1	/P	CONTACT PLATE STOPPER
35	6800203	1		HEX KEY (5mm)
36	660200002	1		SCREW (M23 X 6 mm) Purchase Locally
37	1323701	1		BATTERY
38	1425701	1	S	BATTERY CHARGER
	983000-113	1	S	OPERATOR'S MANUAL
	983000-113R	1		REPAIR SHEET

