

For Parts Call 606-678-9623 or 606-561-4983

**HOMELITE**

**VAC ATTACK II BLOWERS**

**MODEL NOS.**

**UT08042, UT08542, UT08542A,  
AND UT08542B**

**REPAIR SHEET**

[www.mymowerparts.com](http://www.mymowerparts.com)

HOMELITE VAC ATTACK II BLOWERS - MODEL NUMBERS UT08042, UT08542, UT08542A, AND UT08542B

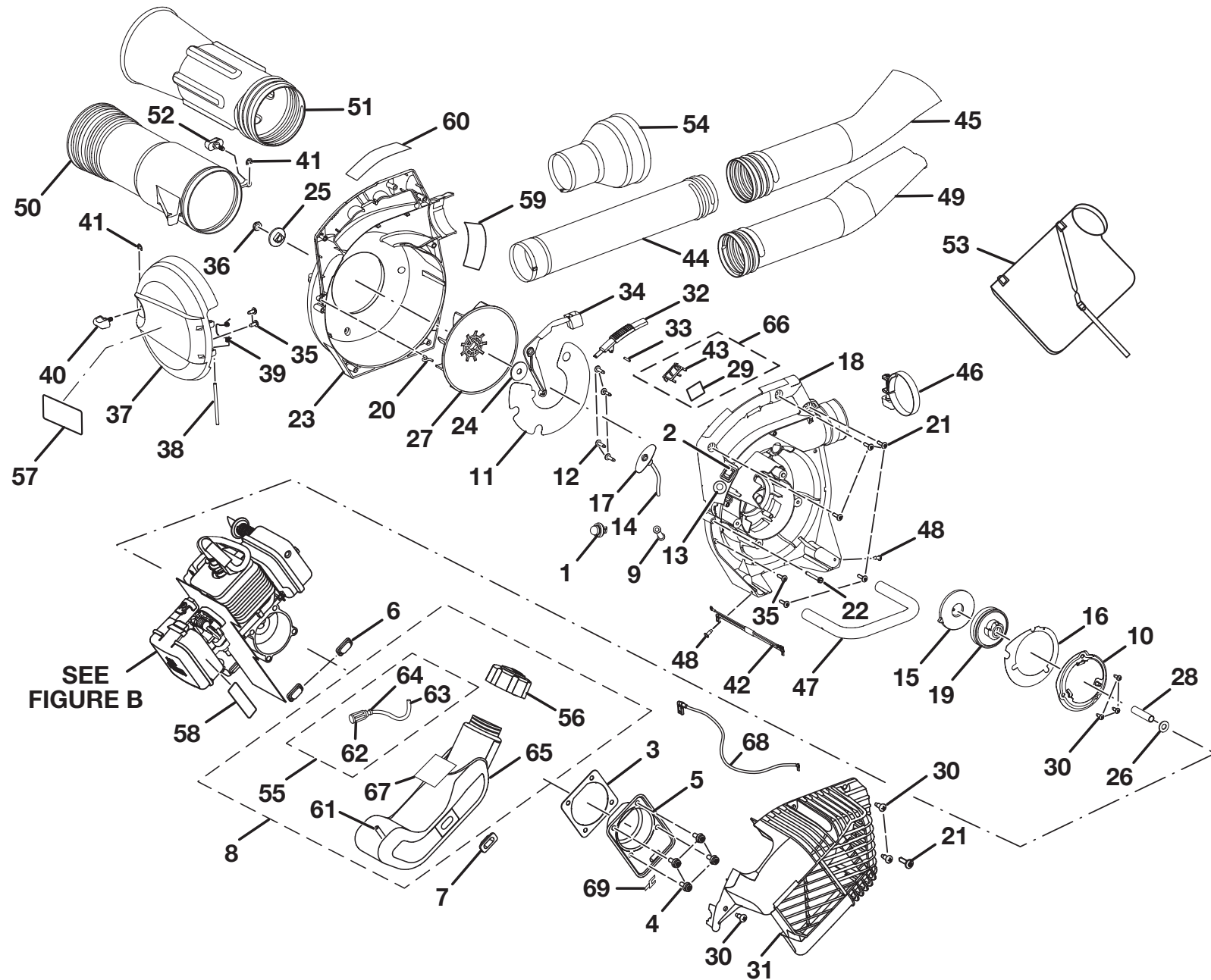


Figure A

**HOMELITE VAC ATTACK II BLOWERS – MODEL NUMBERS UT08042, UT08542, UT08542A, AND UT08542B**

The model number will be found on a plate attached to the motor housing. Always mention the model number in all correspondence regarding your **BLOWER** or when ordering repair parts.

**PARTS LIST (FIGURE A)**

| KEY NO. | PART NUMBER | DESCRIPTION   | QTY | KEY NO. | PART NUMBER | DESCRIPTION  | QTY |
|---------|-------------|---|-----|---------|-------------|--|-----|
| 1       | 308088001   | PRIMER BULB .....   | 1   | 38      | 650026001   | DOOR HINGE SHAFT .....   | 1   |
| 2       | 760363002   | SWITCH .....  | 1   | 39      | 638064001   | DOOR HINGE SPRING .....  | 1   |
| 3       | 900954001   | CRANKCASE GASKET .....                                      | 1   | 40      | 518066002   | BLOWER KNOB.....   | 1   |
| 4       | 660664001   | * SCREW (10-24 x 9/16 in. PAN HD.).....                     | 4   | 41      | 650027001   | E-RING.....  | 2   |
| 5       | 638031001   | CRANKCASE COVER .....                                       | 1   | 42      | 290195004   | WIRING HARNESS .....   | 1   |
| 6       | 570256001   | RUBBER BUMPER .....   | 2   | 43      | 518229001   | SCREEN COVER .....   | 1   |
| 7       | 570549001   | BIG BUMPER.....   | 1   | 44      | 580555001   | UPPER TUBE.....  | 1   |
| 8       | 308123004   | FUEL TANK ASSEMBLY<br>(INC. KEY NOS. 55-56, 61 AND 65)..... | 1   | 45      | 580556001   | LOWER NOZZLE .....   | 1   |
| 9       | 650013001   | BUSHING-STARTER ROPE .....                                  | 1   | 46      | 348005003   | CLAMP.....   | 1   |
| 10      | 638032001   | BAFFLE PLATE .....  | 1   | 47      | 650024001   | LOWER HANDLE .....   | 1   |
| 11      | 650023001   | INNER VOLUTE SEAL.....                                      | 1   | 48      | 660676001   | SCREW (TAP PAN HD.).....   | 2   |
| 12      | 660630002   | * SCREW (10-24 x 3/4 in. TRUSS HD.) .....                   | 4   | 49      | 580559001   | SWEEPER NOZZLE .....   | 1   |
| 13      | 650014001   | BUSHING STARTER .....                                       | 1   | 50      | 580560001   | UPPER VACUUM TUBE .....  | 1   |
| 14      | 900849004   | STARTER ROPE.....   | 1   | 51      | 580561001   | LOWER VACUUM TUBE.....   | 1   |
| 15      | 638033001   | SPRING & CONTAINER .....                                    | 1   | 52      | 518066001   | BLOWER KNOB.....   | 1   |
| 16      | 900957001   | BAFFLE GASKET .....   | 1   | 53      | 900960001   | LEAF BAG .....   | 1   |
| 17      | 518073001   | STARTER GRIP .....  | 1   | 54      | 580562001   | VACUUM BAG TUBE .....  | 1   |
| 18      | 518249001   | INNER VOLUTE HOUSING.....                                   | 1   | 55      | 308283001   | FUEL FILTER KIT (INC. KEY NOS. 62-64) .....                      | 1   |
| 19      | 308134001   | PULLEY ASSEMBLY .....                                       | 1   | 56      | 300758006   | FUEL CAP ASSEMBLY .....  | 1   |
| 20      | 638074001   | WIRE LOOP .....   | 1   | 57      | 940299495   | DOOR LABEL (VAC ATTACK).....                                     | 1   |
| 21      | 660629001   | * SCREW (10-14 x 3/4 in. TORX TRUSS HD.).....               | 6   | 58      | 940647001   | CHOKE LABEL .....  | 1   |
| 22      | 660667001   | * SCREW (10 x 1-5/8 in. HEX HD.).....                       | 1   | 59      | 940299493   | FAN INTAKE WARNING LABEL .....                                   | 1   |
| 23      | 518250001   | OUTER VOLUTE .....  | 1   | 60      | 940642005   | WARNING/STARTING LABEL.....                                      | 1   |
| 24      | 650016001   | FLAT WASHER.....  | 1   | 61      | 570259005   | RUBBER TUBING (196.85 mm).....                                   | 1   |
| 25      | 640858001   | FAN ADAPTOR .....   | 1   | 62      | 300759003   | FUEL FILTER.....   | 1   |
| 26      | 650017001   | FLAT WASHER.....  | 1   | 63      | 570258003   | RUBBER TUBING (114.3 mm).....                                    | 1   |
| 27      | 518077001   | FAN .....   | 1   | 64      | 690765001   | WIRE CLAMP.....  | 1   |
| 28      | 650018001   | FAN SPACER .....  | 1   | 65      | 580553002   | FUEL TANK .....  | 1   |
| 29      | 570581004   | SCREEN.....   | 1   | 66      | 900961003   | SCREEN COVER & NETTING ASSEMBLY<br>(INC. KEY NOS. 29 & 43) ..... | 1   |
| 30      | 660669001   | * SCREW (#8 x 1/2 in. PAN HD.) .....                        | 6   | 67      | 900955001   | HEAT SHIELD.....   | 1   |
| 31      | 518251001   | BLOWER SHROUD.....  | 1   | 68      | 290218001   | LEAD W/TERMINALS .....   | 1   |
| 32      | 518211001   | SLIDE .....   | 1   | 69      | 638081001   | MALE TAB.....  | 1   |
| 33      | 348007001   | SLIDE PIN .....   | 1   |         | 983000594   | OPERATOR'S MANUAL (UT08042 & UT08542)                            |     |
| 34      | 518247001   | TRIGGER .....   | 1   |         | 983000781   | OPERATOR'S MANUAL (UT08542A)                                     |     |
| 35      | 660618001   | * SCREW (10-24 x 3/4 in. TORX TRUSS HD.).....               | 3   |         | 983000950   | OPERATOR'S MANUAL (UT08542B)                                     |     |
| 36      | 660730001   | * LOCK NUT (3/8-24).....                                    | 1   |         | 983000594R  | REPAIR SHEET (REV:05)  |     |
| 37      | 518078002   | DOOR.....   | 1   |         | 12-13-06    |  |     |

\* STANDARD HARDWARE ITEM – MAY BE PURCHASED LOCALLY

HOMELITE VAC ATTACK II BLOWERS - MODEL NUMBERS UT08042, UT08542, UT08542A, AND UT08542B

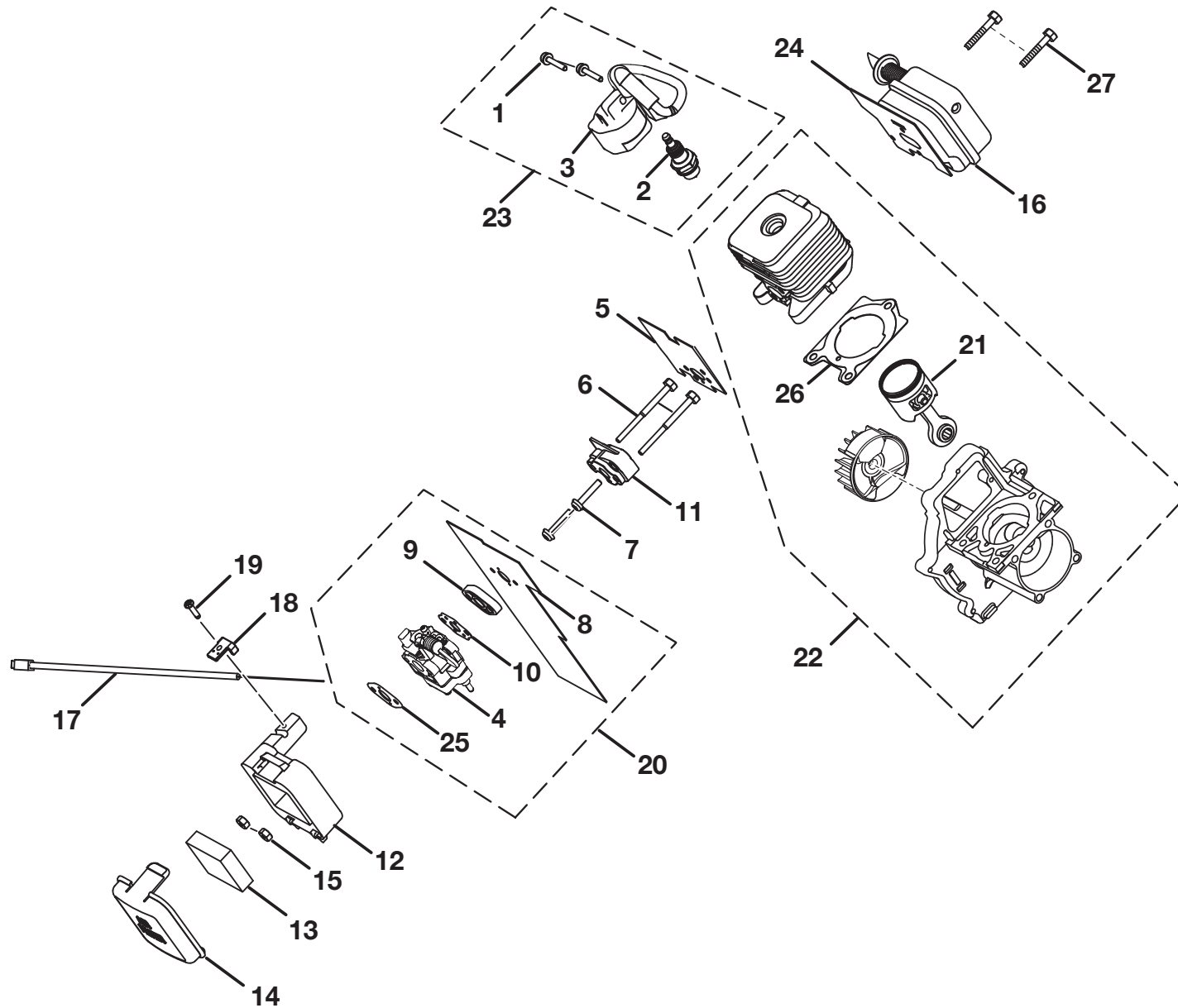


Figure B

**HOMELITE VAC ATTACK II BLOWERS – MODEL NUMBERS UT08042, UT08542, UT08542A, AND UT08542B**

The model number will be found on a plate attached to the motor housing. Always mention the model number in all correspondence regarding your **BLOWER** or when ordering repair parts.

**PARTS LIST (FIGURE B)**

| <b>KEY NO.</b> | <b>PART NUMBER</b> | <b>DESCRIPTION</b>                                 | <b>QTY</b> |
|----------------|--------------------|--|------------|
| 1              | 660660001          | SCREW THD FORMING.....                             | 2          |
| 2              | 870174001          | SPARK PLUG CHAMPION - RCJ-6Y.....                  | 1          |
| 3              | 850080001          | IGNITION MODULE.....                               | 1          |
| 4              | 308028004          | CARBURETOR.....                                    | 1          |
| 5              | 900950001          | HEAT DAM GASKET .....                              | 1          |
| 6              | 660346002          | CARBURETOR MOUNTING BOLT.....                      | 2          |
| 7              | 660662001          | * SCREW (10-24 x 1.11 PAN HD.).....                | 2          |
| 8              | 900951004          | CARBURETOR GASKET .....                            | 1          |
| 9              | 518120001          | SPACER .....                                       | 1          |
| 10             | 900711003          | GASKET .....                                       | 1          |
| 11             | 518087001          | HEAT DAM .....                                     | 1          |
| 12             | 518248001          | AIR FILTER BOX.....                                | 1          |
| 13             | 900952001          | AIR FILTER .....                                   | 1          |
| 14             | 518072001          | AIR FILTER COVER .....                             | 1          |
| 15             | 678027001          | * HEX NUT (10-24).....                             | 2          |
| 16             | 300748010          | MUFFLER.....                                       | 1          |
| 17             | 270021002          | THROTTLE CABLE.....                                | 1          |
| 18             | 638133002          | THROTTLE CABLE CLIP.....                           | 1          |
| 19             | 660734001          | SCREW-FILTER BOX .....                             | 1          |
| 20             | 308281001          | CARBURETOR KIT (INC. KEY NOS. 4, 8-10 AND 25)..... | 1          |
| 21             | 308119002          | PISTON ASSEMBLY KIT .....                          | 1          |
| 22             | 308099003          | SHORT BLOCK ASSEMBLY (INC. KEY NOS. 21, 26).....   | 1          |
| 23             | 308284001          | IGNITION KIT (INC. KEY NOS. 1-3) .....             | 1          |
| 24             | 990994001          | MUFFLER GASKET.....                                | 1          |
| 25             | 900994004          | GASKET .....                                       | 1          |
| 26             | 900953001          | CYLINDER GASKET.....                               | 1          |
| 27             | 660673001          | * SCREW (10-24 x 2-1/2 in. HEX HD.).....           | 2          |

\* STANDARD HARDWARE ITEM – MAY BE PURCHASED LOCALLY