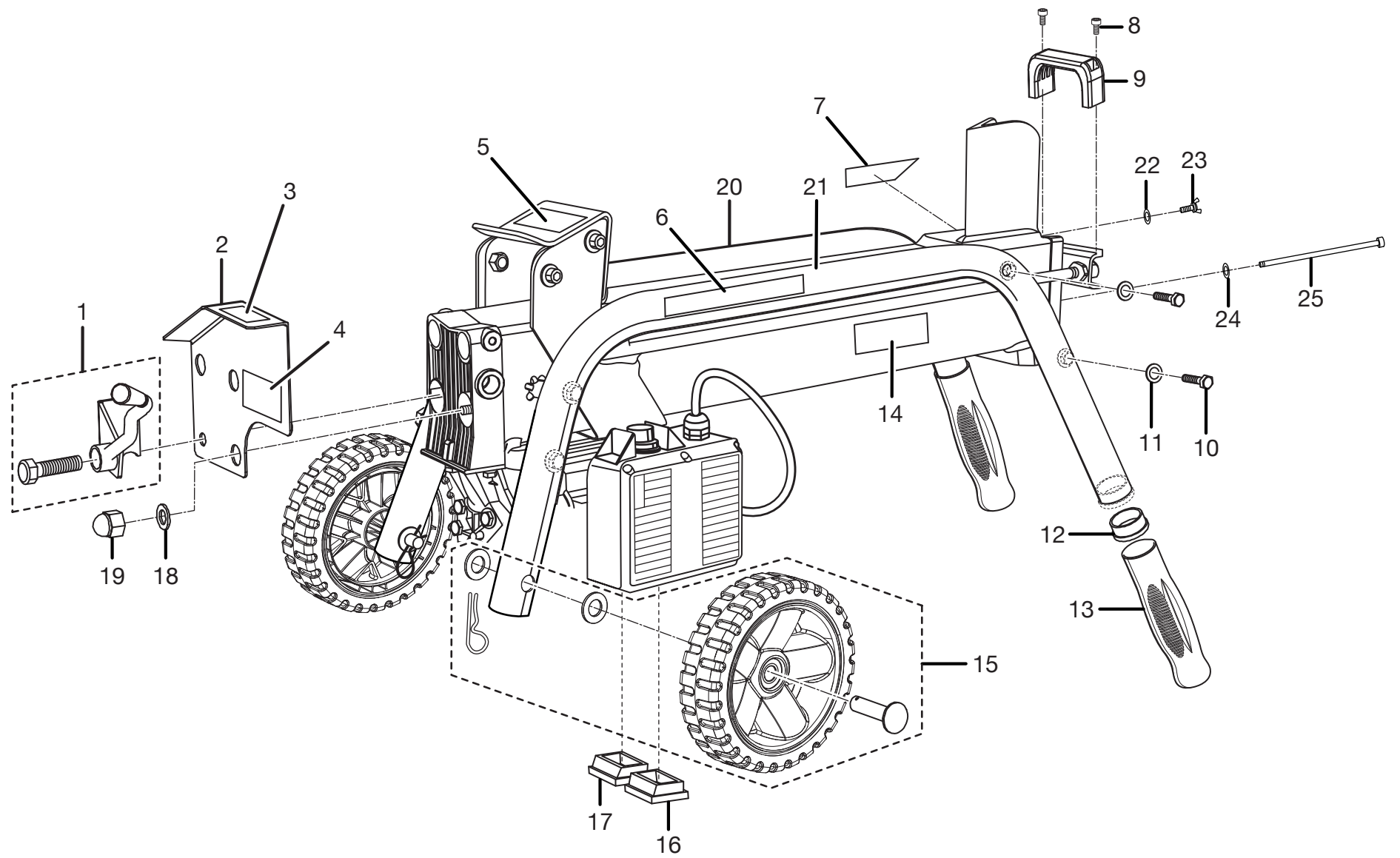


For Parts Call 606-678-9623 or 606-561-4983

**RYOBI
ELECTRIC LOG SPLITTER
MODEL NO. RY49701
REPAIR SHEET**

RYOBI ELECTRIC LOG SPLITTER
MODEL NUMBER RY49701



**RYOBI ELECTRIC LOG SPLITTER
MODEL NUMBER RY49701**

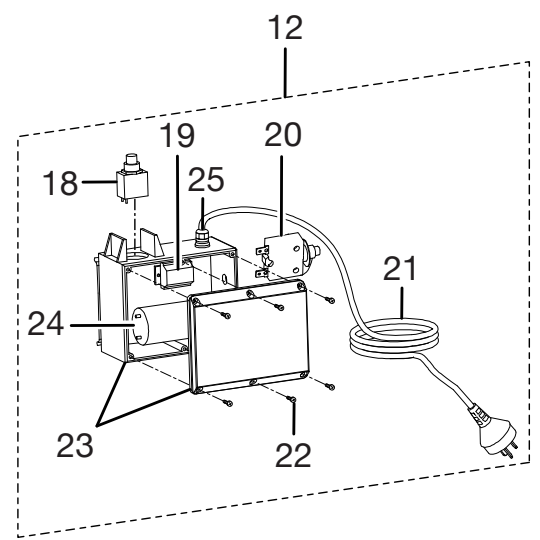
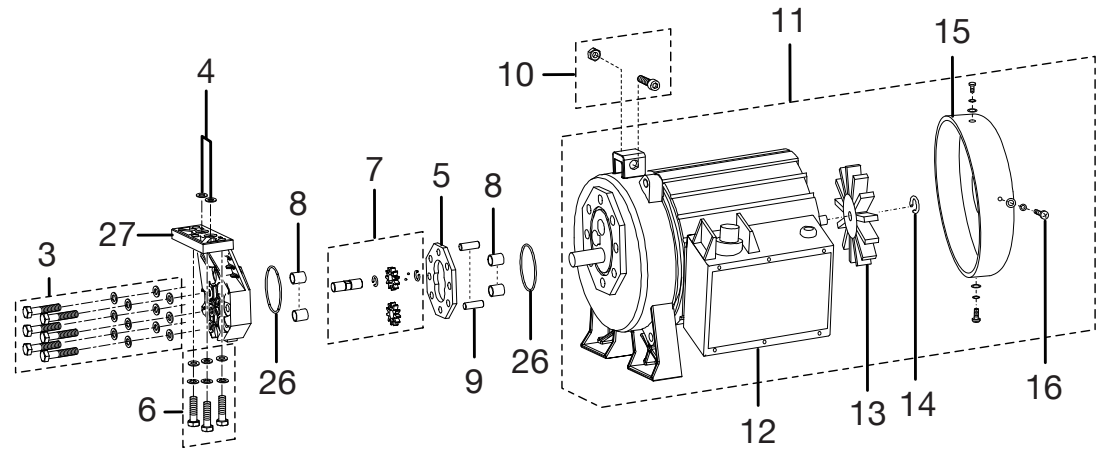
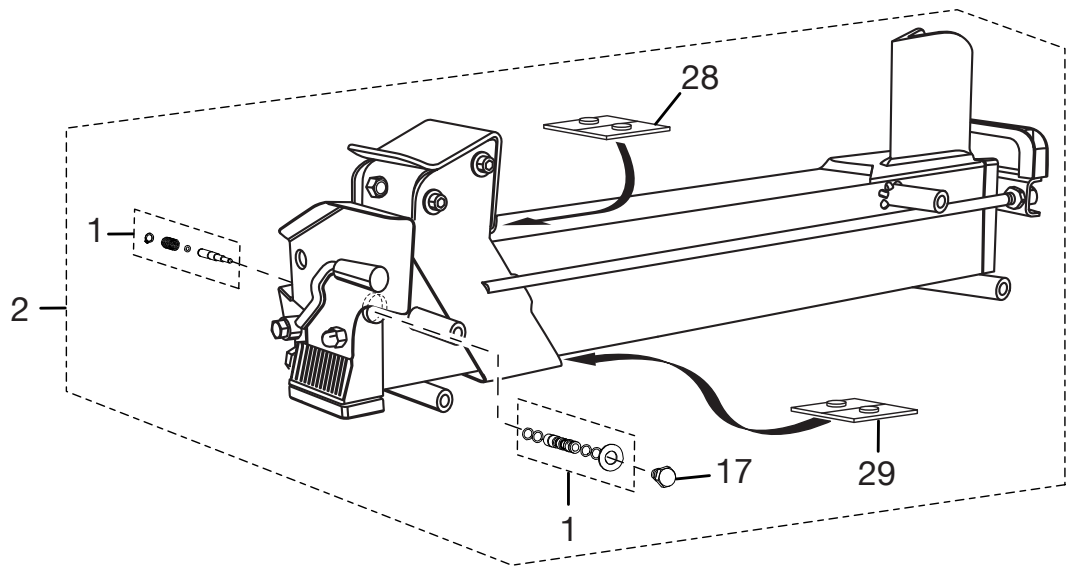
The model number will be found on a plate attached to the motor housing. Always mention the model number in all correspondence regarding your **ELECTRIC LOG SPLITTER** or when ordering repair parts.

PARTS LIST

KEY NO.	PART NUMBER	DESCRIPTION	QTY.
1	099077001501	HYDRAULIC CONTROL LEVER	1
2	099077001075	CONTROL LEVER GUARD	1
3	099077001103	WARNING LABEL	1
4	099077001104	DATA LABEL	1
5	099077001101	BLEED SCREW INSTRUCTION LABEL.....	1
6	099077001100	WARNING LABEL	1
7	099077001102	BLEED SCREW LABEL.....	1
8	099077001018	* SCREW (M5 X 16 mm).....	2
9	099077001019	HANDLE.....	1
10	099077001088	* BOLT (M8 X 55 mm).....	8
11	099077001087	WASHER.....	8
12	099077001031	PLUG	2
13	099077001032	RUBBER GRIP	2
14	099077001099	LOGO LABEL.....	2
15	099077001502	WHEEL ASSEMBLY	2
16	099077001049	RUBBER FOOT (R)	1
17	099077001051	RUBBER FOOT (L).....	1
18	099077001070	WASHER.....	1
19	099077001071	NUT.....	1
20	099077001085	LEG FRAME (R)	1
21	099077001086	LEG FRAME (L).....	1
22	099077001025	O-RING	1
23	099077001026	WING BOLT	1
24	099077001029	O-RING	1
25	099077001030	DIPSTICK.....	1

* STANDARD HARDWARE ITEM – MAY BE PURCHASED LOCALLY

RYOBI ELECTRIC LOG SPLITTER
MODEL NUMBER RY49701



RYOBI ELECTRIC LOG SPLITTER

MODEL NUMBER RY49701

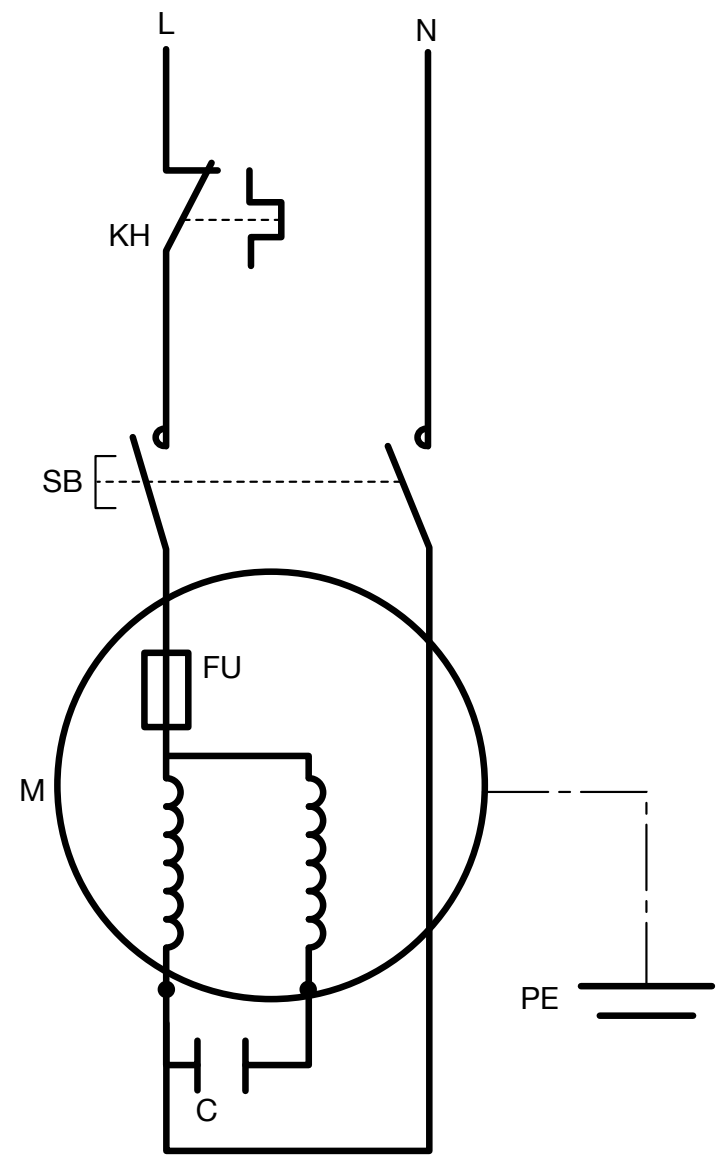
The model number will be found on a plate attached to the motor housing. Always mention the model number in all correspondence regarding your **ELECTRIC LOG SPLITTER** or when ordering repair parts.

PARTS LIST

KEY NO.	PART NUMBER	DESCRIPTION	QTY.
1	099077001503	RAM VALVE ASSEMBLY	1
2	099077001504	MAIN BODY ASSEMBLY	1
3	099077001063	BOLT ASSEMBLY	1
4	099077001065	O-RING	2
5	099077001053	GEAR HOUSING PLATE	1
6	099077001506	BOLT ASSEMBLY	1
7	099077001507	GEAR ASSEMBLY	1
8	099077001058	SLEEVE.....	4
9	099077001052	PIN	2
10	099077001508	NUT AND BOLT ASSEMBLY	1
11	099077001509	MOTOR ASSEMBLY	1
12	099077001036	SWITCH BOX ASSEMBLY	1
13	099077001121	FAN	1
14	099077001122	RETAINING RING.....	1
15	099077001123	SHROUD.....	1
16	099077001124	* SCREW (4 X 10 mm) W/WASHERS.....	3
17	0099077001090	BOLT	1
18	099077001037	SWITCH.....	1
19	099077001039	CONNECTION TERMINAL	1
20	099077001042	CIRCUIT BREAKER	1
21	099077001044	POWER CORD	1
22	099077001043	* SCREW (M2.9 X 12 mm).....	6
23	099077001040	SWITCH BOX ASSEMBLY	1
24	099077001038	CAPACITOR.....	1
25	099077001125	STRAIN RELIEF	1
26	099077001059	O-RING	2
27	099077001064	GEAR PUMP COVER	1
28	099077001010	UPPER WEAR PAD.....	1
29	099077001091	LOWER WEAR PAD.....	1
	983000588	OPERATOR'S MANUAL (099077001108)	
	983000588R	REPAIR SHEET (REV:01)	
	10-20-05		

* STANDARD HARDWARE ITEM – MAY BE PURCHASED LOCALLY

**RYOBI ELECTRIC LOG SPLITTER
MODEL NUMBER RY49701**



WIRING DIAGRAM