

For Parts Call 606-678-9623 or 606-561-4983

# Homelite®

25cc STRING TRIMMERS

## REPAIR SHEET

TrimLite™ – UT20004B

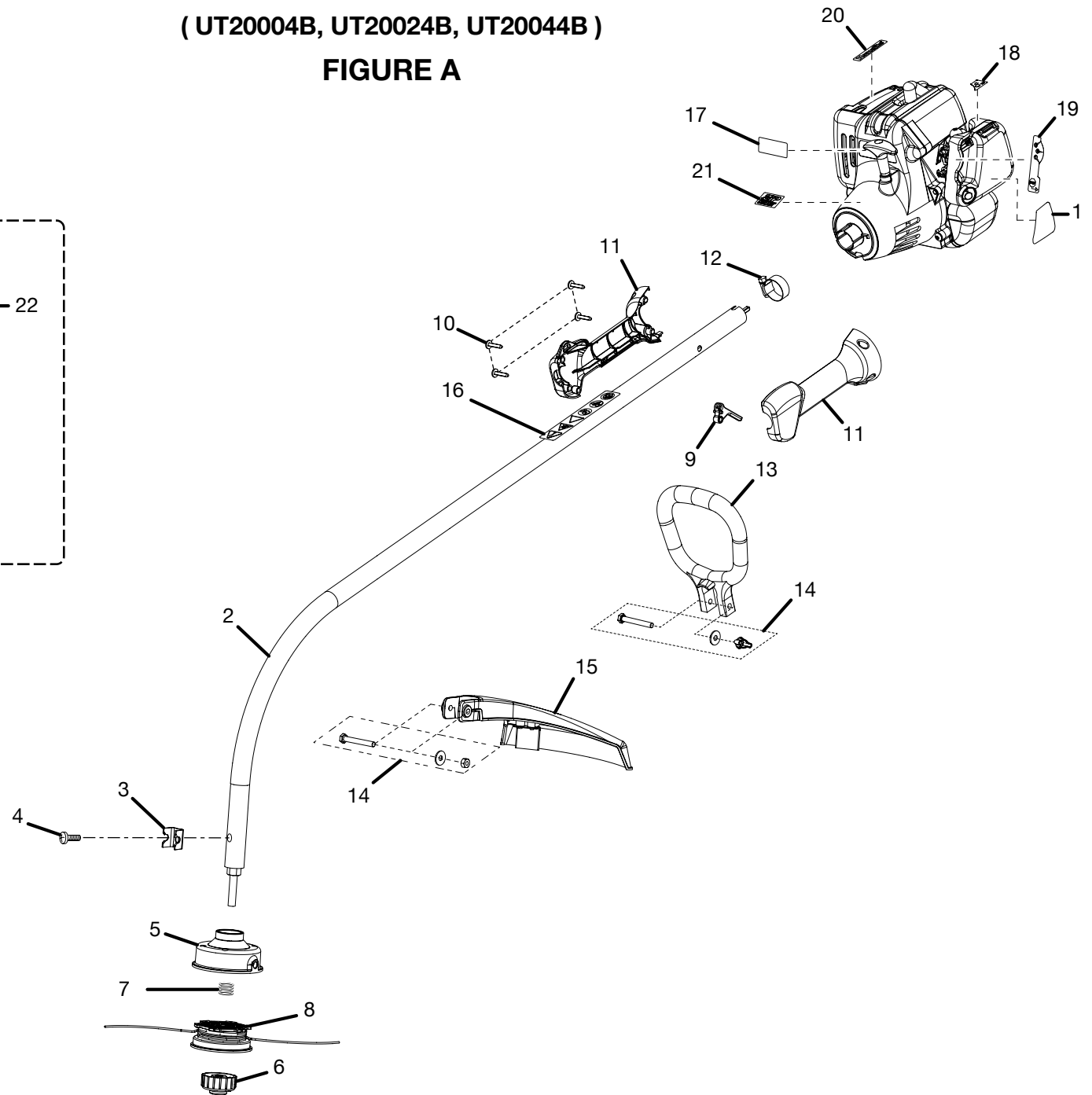
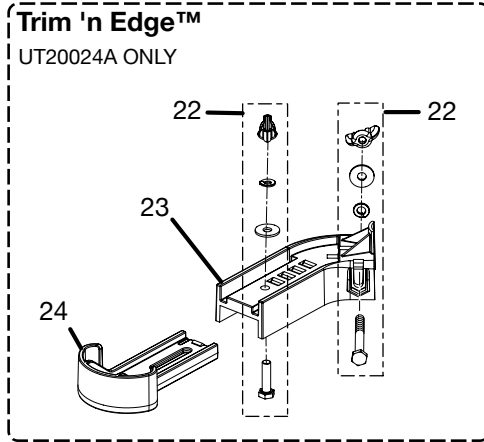
Trim 'n Edge™ – UT20024B

EZ Reach™ – UT20044B

[www.mymowerparts.com](http://www.mymowerparts.com)

**HOMELITE 25cc STRING TRIMMER  
( UT20004B, UT20024B, UT20044B )**

**FIGURE A**



HOMELITE 25cc STRING TRIMMER

REPLACEMENT PARTS  
FIGURE A

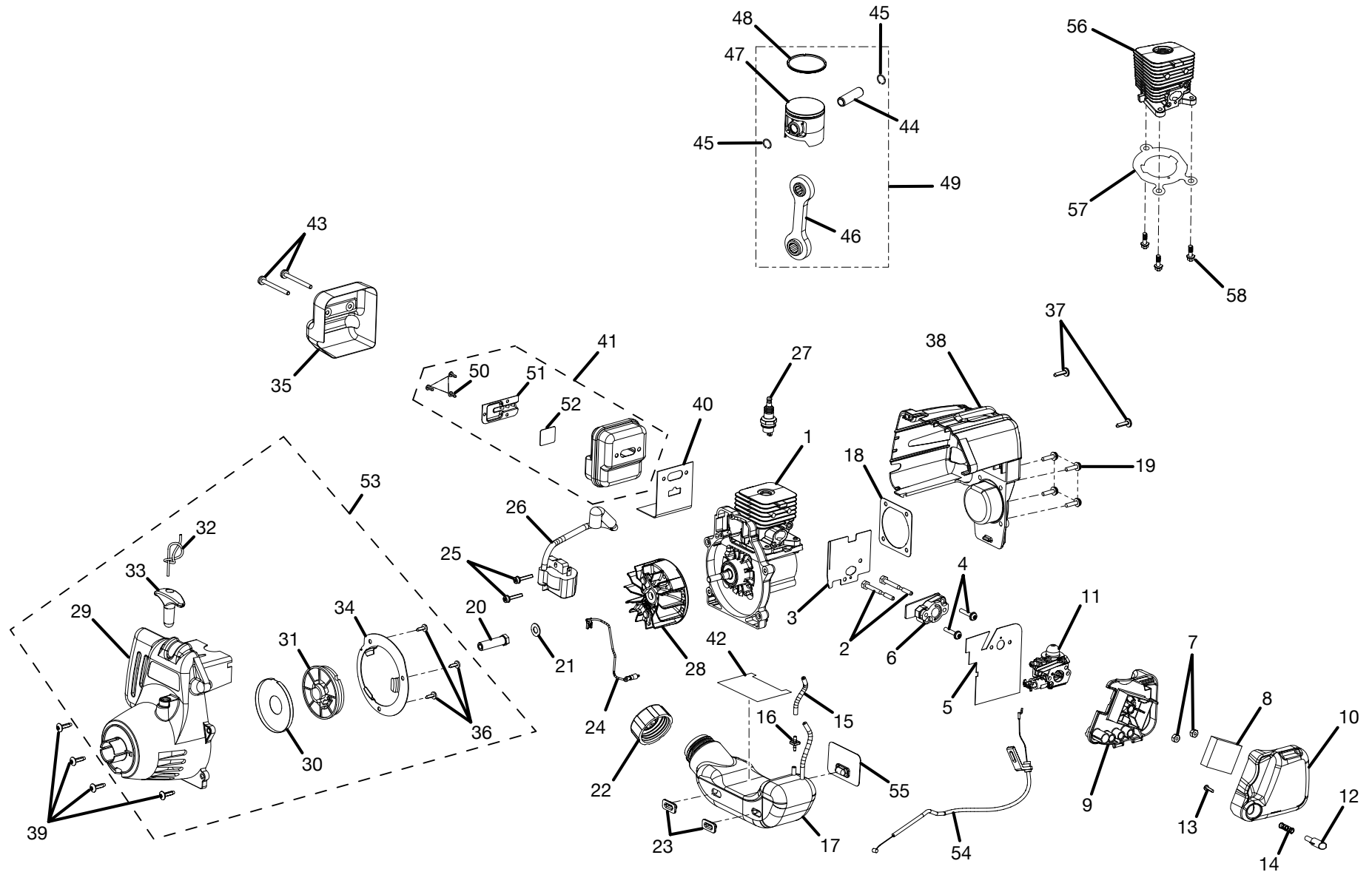
PARTS LIST

KEY NO.	PART NUMBER	DESCRIPTION	QTY.	KEY NO.	PART NUMBER	DESCRIPTION	QTY.
1	985591001	STARTING INSTRUCTION DECAL .....	1	14	PA00249	FASTENER PARTS KIT .....	2
2	985380001	CURVED SHAFT ASSEMBLY (INC. KEY NO. 16) (Trim 'n Edge™ & Trimlite™ ONLY) .....	1	15	985623002	GRASS DEFLECTOR ASSEMBLY (UT20004B AND UT20024B).....	1
3	07928	CLAMP (Trim 'n Edge™ & Trimlite™ ONLY) .....	1		984821001	GRASS SHIELD ASSEMBLY (UT20044B) .....	1
4	983823001	* SCREW (10-32 x 3/8 in.) (Trim 'n Edge™ & Trimlite™ ONLY) .....	1	16	984032001	DECAL, WARNING/STARTING BOOM .....	1
5	A98231A	HOUSING AND EYELET .....	1	17	983837001	DECAL, TRIMLITE LOGO .....	1
6	A98866A	SPOOL RETAINER (RH) (Trim 'n Edge™ & Trimlite™ ONLY) .....	1		983838001	DECAL, TRIM-N-EDGE	
7	06713	COMPRESSION SPRING .....	1		983839001	DECAL, EASY REACH	
8	PA0387A	SPOOL W/LINE.....	1	18	985595001	DECAL, PRIMER .....	1
9	983815001	TRIGGER .....	1	19	985589001	DECAL, CHOKE.....	1
10	82537	* SCREW (10-14 x 7/8 in. TRUSS HD.) .....	4	20	07184	DECAL, HOMELITE .....	1
11	985330001	HANDLE GRIP ASSEMBLY .....	1	21	983840001	LABEL, ZIP START .....	1
12	PS01611	BOOM CLAMP .....	1			(Trim 'n Edge™ & EZ Reach™ ONLY)	
13	98822A	FRONT HANDLE.....	1	22	A09361	FASTENER PARTS KIT (Trim 'n Edge™ ONLY) .	1
				23	09310	EDGER BASE (Trim 'n Edge™ ONLY).....	1
				24	09311	EDGER GUIDE (Trim 'n Edge™ ONLY) .....	1

\* STANDARD HARDWARE ITEM - MAY BE PURCHASED LOCALLY

HOMELITE 25cc STRING TRIMMER

FIGURE B



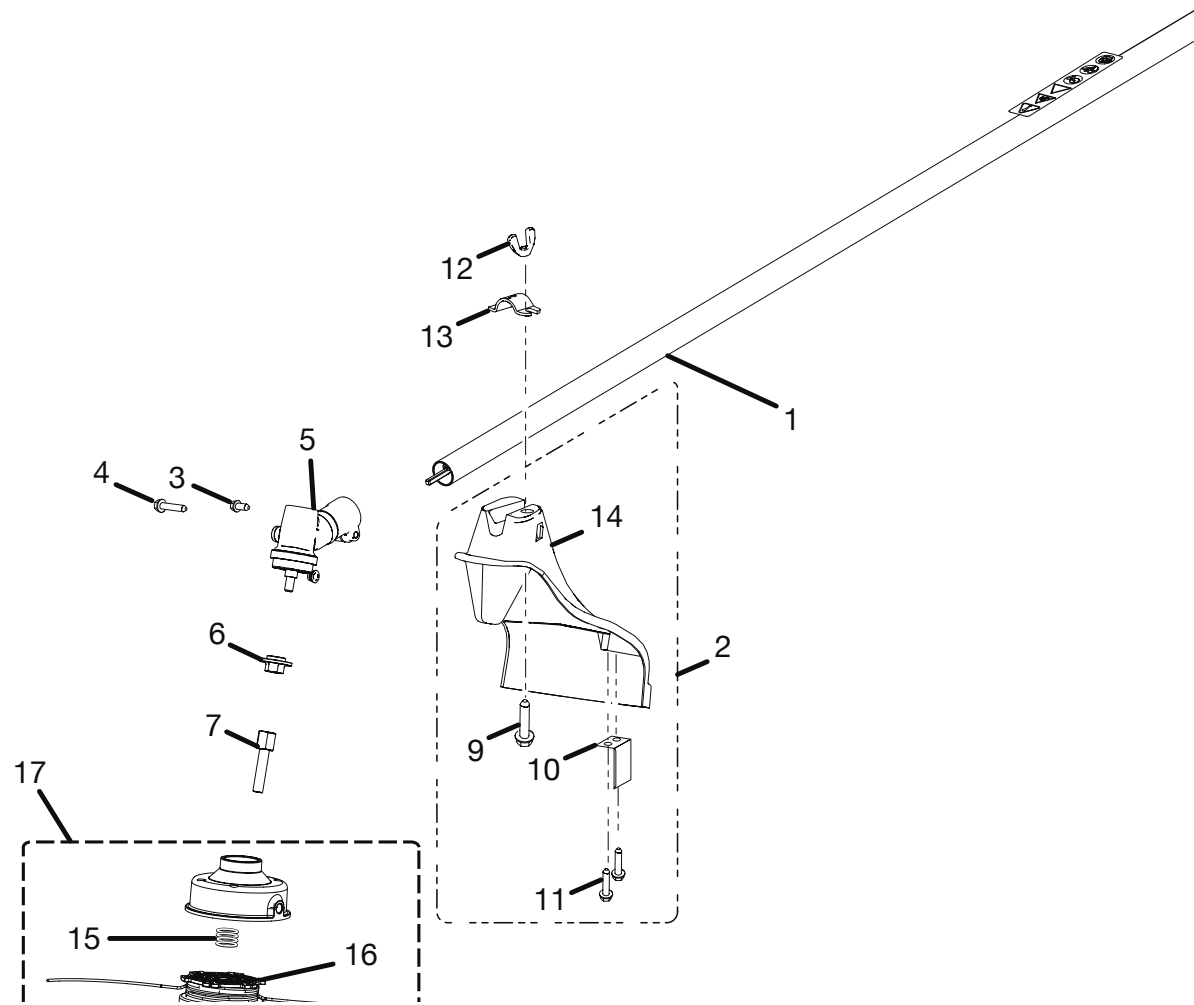
**HOMELITE 25cc STRING TRIMMER**  
**REPLACEMENT PARTS – FIGURE B**

KEY NO.	PART NUMBER	DESCRIPTION	QTY.	KEY NO.	PART NUMBER	DESCRIPTION	QTY.
1	985891001	SHORT BLOCK ASSEMBLY .....	1	31	98770A	STARTER PULLEY.....	1
2	04474	CARBURETOR BOLTS.....	2	32	9789902	STARTER ROPE .....	1
3	984762001	INTAKE GASKET .....	1	33	PS06114	STARTER GRIP.....	1
4	093221	* SCREW (10-24 X 1-1/16 IN. PAN HD.).....	2	34	PS00326	BAFFLE .....	1
5	9074001	CARBURETOR GASKET .....	1	35	984743001	HEAT SHIELD .....	1
6	98768A	HEAT DAM.....	1	36	82543	* SCREW (8-16 X 1/2 IN. THREAD FORMING).....	3
7	81208	* LOCK NUT (10-24) .....	2	37	82563	* SCREW (10-14 X 3/4 IN.THREAD FORMING).....	2
8	98760	AIR FILTER .....	1	38	984740001	REAR HOUSING.....	1
9	PS02113	AIR FILTER BOX .....	1	39	82538	* SCREW (10-24 X 3/4 IN.TRUSS HD.) .....	4
10	PS02156	AIR BOX COVER .....	1	40	984760001	MUFFLER GASKET .....	1
11	985624001	CARBURETOR ASSEMBLY .....	1	41	985869001	CATALYTIC MUFFLER ASSEMBLY (INCL. KEY NO. 50 THRU 52).....	1
12	06618A	BUTTON SWITCH .....	1	42	900999002	GASKET .....	1
13	82513	SCREW, (6-19 X 1/2 IN. T.F) .....	1	43	88083	* SCREW (10-24 X 2-3/16 IN. TORX HD. ) .....	2
14	95020A	COMPRESSION SPRING.....	1	44	00238A	PIN, PISTON.....	1
15	0143908	RUBBER TUBING (2 IN.).....	1	45	6969102	CLIP RING.....	2
16	985304001	INLINE FUEL FITTING .....	1	46	PA00190	CONNECTING ROD ASSEMBLY .....	1
17	PA01624	FUEL TANK (INC. KEY 22).....	1	47	984228001	PISTON, 25CC .....	1
18	06443A	CRANK CASE COVER GASKET .....	1	48	PS04468	PISTON RING.....	1
19	984812001	* SCREW (10-24 X 3/4 IN. PAN HD. TORX W/LW) .....	4	49	3081102	PISTON ASSEMBLY (INCLUDES KEY NO. 44-48) .....	1
20	98795A	DRIVE CONNECTOR.....	1	50	984759001	* SCREW (6-20 X 1/4 IN. PAN HD.) .....	3
21	PS84065	FLAT WASHER .....	1	51	985596001	OUTLET TUBE.....	1
22	A09116	FUEL CAP ASSEMBLY .....	1	52	984753001	SCREEN .....	1
23	98792	BUMPER .....	2	53	985543001	COMPLETE STARTER ASSEMBLY .....	1
24	A07238	LEAD W/TERMINALS.....	1	54	0883202	THROTTLE CABLE W/HANGER .....	1
25	82540	* SCREW (8-32 X 1 IN. THREAD FORMING) .....	2	55	985767001	BUMPER .....	1
26	4306401	IGNITION MODULE.....	1	56	6457005	CYLINDER.....	1
27	PS02227	SPARK PLUG .....	1	57	985259001	CYLINDER GASKET .....	1
28	986153001	ROTOR AND PAWL ASSEMBLY .....	1	58	PS02807	* SCREW (10-24 X .66 IN TORX PAN HD.).....	3
29	3075303	STARTER HOUSING ASSEMBLY.....	1				
30	A98773A	SPRING AND CONTAINER .....	1				

\* STANDARD HARDWARE ITEM – MAY BE PURCHASED LOCALLY

HOMELITE 25cc STRING TRIMMER

**FIGURE C**  
**(UT20044B)**



HOMELITE 25cc STRING TRIMMER

**REPLACEMENT PARTS  
FIGURE C**

**PARTS LIST**

KEY NO.	PART NUMBER	DESCRIPTION	QTY.
1	985381001	STRAIGHT SHAFT ASSEMBLY .....	1
2	984821001	GRASS SHIELD ASSEMBLY (INCLUDES HARDWARE).....	1
3	PS04673	* SCREW (10-24 x 5/8 in.) .....	1
4	983381007	* SCREW (1/4-20 x 1-1/4 in.).....	1
5	984244001	GEAR HEAD.....	1
6	984931001	WASHER.....	1
7	PS04438	SHAFT ADAPTER .....	1
8	A97910A	SPOOL RETAINER (LH) .....	1
9	PS02435	SCREW, SQUARE HEAD .....	1
10	07129	CUT OFF BLADE .....	1
11	82546	SCREW .....	2
12	PS02453	WING NUT .....	1
13	PS02391	SHIELD CLAMP .....	1
14	984822001	GRASS SHIELD .....	1
	983000771	OPERATOR'S MANUAL	
	983000771R	REPAIR SHEET (REV:03)	
	5-03-06		

\* STANDARD HARDWARE ITEM - MAY BE PURCHASED LOCALLY

For Parts Call 606-678-9623 or 606-561-4983

**HOMELITE CONSUMER PRODUCTS, INC.**

1428 Pearman Dairy Road, Anderson, SC 29625

Post Office Box 1207, Anderson, SC 29622

Phone 1-800-chainsa (1-800-242-4672)

[www.homelite.com](http://www.homelite.com)

[www.mymowerparts.com](http://www.mymowerparts.com)