

For Parts Call 606-678-9623 or 606-561-4983

RYOBI
TP30 GAS PRUNER
MODEL NO. RY52502 and RY52903
REPAIR SHEET

RYOBI TP30 GAS PRUNER MODEL NO.
RY52502 and RY52903

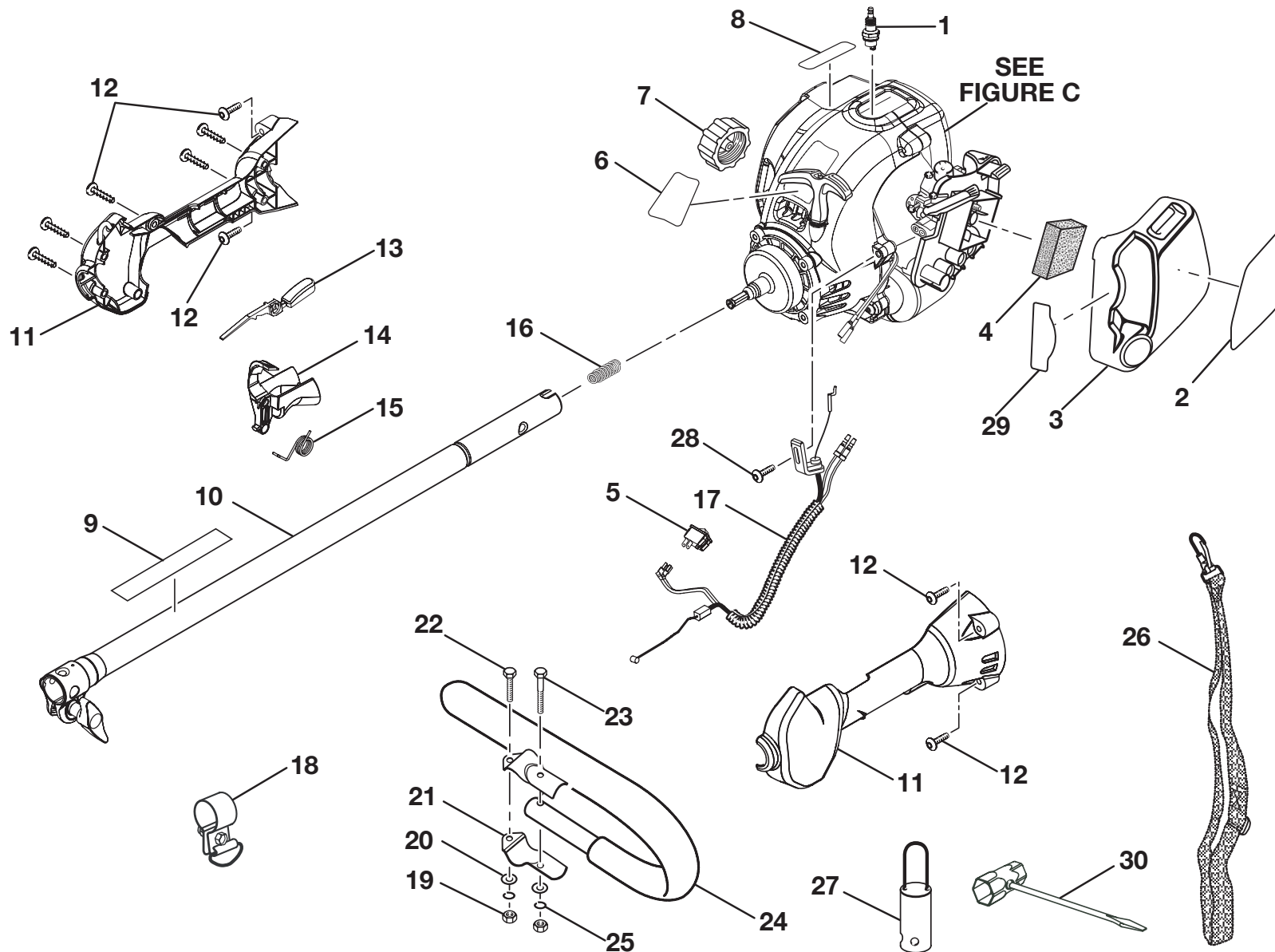


Figure A

**RYOBI TP30 GAS PRUNER MODEL NO.
RY52502 and RY52903**

PARTS LIST (FIGURE A)

KEY NO.	PART NUMBER	DESCRIPTION	QTY	KEY NO.	PART NUMBER	DESCRIPTION	QTY
1	870174001	* SPARK PLUG (CHAMPION RCJ6Y).....	1	18	308224001	STRAP HANGER (TP30).....	1
2	940967004	STARTING LABEL.....	1	19	678016001	* HEX NUT (1/4-20).....	2
3	518096001	AIR BOX COVER	1	20	678013001	WASHER	2
4	900952001	AIR FILTER ELEMENT	1	21	638014001	HANDLE BAR CLAMP	2
5	760363002	SWITCH (MOMENTARY CONTACT).....	1	22	660643002	* BOLT (1/4-20 X 1 in. HEX HD.)	1
6	940643011	MODEL LABEL (TP30).....	1	23	660643001	* BOLT (1/4-20 X 1-1/2 in. HEX HD.)	1
7	300758006	FUEL CAP ASSEMBLY.....	1	24	308046001	"J" HANDLE AND GRIP	1
8	940299600	LOGO LABEL	1	25	678012001	LOCK WASHER.....	2
9	940654012	WARNING DECAL (TP30).....	1	26	308487001	SHOULDER STRAP.....	1
10	000998355	UPPER BOOM ASSEMBLY (TP30).....	1	27	518019001	HANGER CAP	1
11	000998236	CONTROL HANDLE ASSEMBLY	1	28	660616001	* SCREW (10-24 X 7/8 in.)	1
12	660618002	* SCREW (10-14 X 1 in.)	9	29	940330006	CHOKE LABEL	1
13	518011002	TRIGGER LOCK	1	30	660881001	COMBINATION WRENCH	1
14	518012002	TRIGGER	1		987000061	OPERATOR'S MANUAL	
15	678021001	TORSION SPRING	1		12-11-06		
16	678252001	COMPRESSION SPRING.....	1		(REV:00)		
17	308439001	THROTTLE AND LEAD ASSEMBLY	1				

* STANDARD HARDWARE ITEM – MAY BE PURCHASED LOCALLY

RYOBI TP30 GAS PRUNER MODEL NO.
RY52502 and RY52903

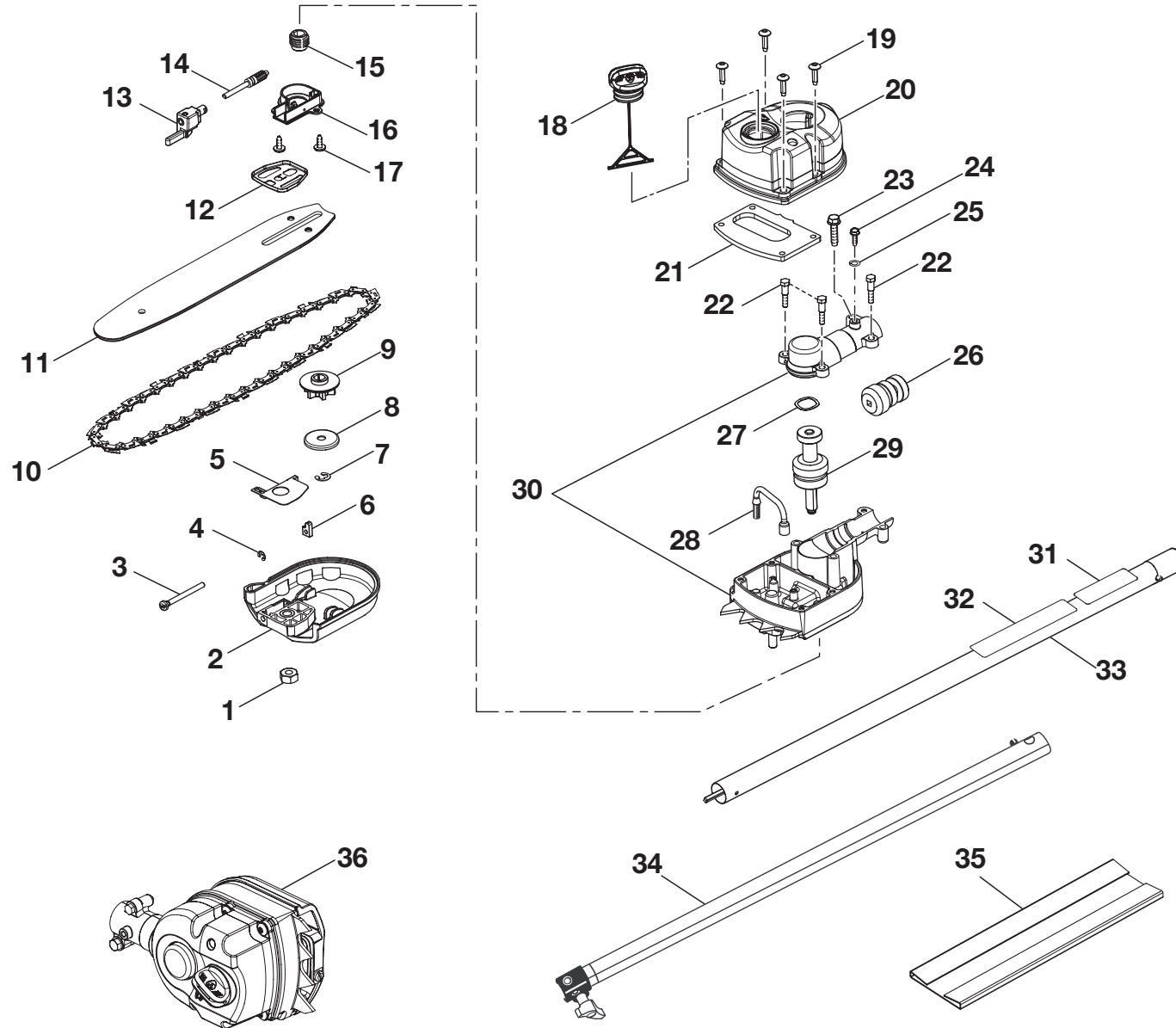


Figure B

**RYOBI TP30 GAS PRUNER MODEL NO.
RY52502 and RY52903**

PARTS LIST (FIGURE B)

KEY NO.	PART NUMBER	DESCRIPTION	QTY	KEY NO.	PART NUMBER	DESCRIPTION	QTY
1	090038001023	* HEX NUT (M8)	1	19	090038001002	* SCREW (M5 X 18 mm)	4
2	090038001022	BAR CLAMP ASSEMBLY	1	20	090038001003	OIL TANK COVER ASSEMBLY	1
3	090038001024	GUIDE BAR ADJUSTMENT SCREW (M5 X 50 mm)	1	21	090038001004	OIL COVER GASKET	1
4	090038001025	* RETAINING RING (4 mm)	1	22	090038001005	* SCREW (M5 X 25 mm, SHOULDER SCREW) .	3
5	090038001026	GUIDE BAR PLATE.....	1	23	090038001006	* SCREW (M5 X 25 mm)	1
6	090038001021	GUIDE BAR ADJUSTING PIN (M5)	1	24	099078001030	* SCREW (M5 X 15 mm)	1
7	090038001020	* E-RING (6 mm)	2	25	099078001031	* SPRING WASHER (M5)	1
8	090038001019	CUPPED WASHER.....	1	26	090038001011	PINION GEAR ASSEMBLY	1
9	090038001018	SPROCKET.....	1	27	090038001008	WAVY WASHER	1
10	690583002	CHAIN (3/8, .043, 10)	1	28	090038001009	PICK-UP TUBE ASSEMBLY	1
11	671834006	GUIDE BAR	1	29	090038001014	OUTPUT SHAFT ASSEMBLY	1
12	090038001028	BAR PAD PLATE.....	1	30	090038001042	GEAR CASE AND COVER ASSEMBLY	1
13	090038001029	OIL PUMP SEAL ASSEMBLY	1	31	940627024	EXPAND-IT LABEL	1
14	090038001030	OIL PINION GEAR & PLUNGER.....	1	32	940654011	WARNING LABEL.....	1
15	090038001015	WORM GEAR	1	33	308425001	PRUNER BOOM ASSEMBLY (INCLUDES KEY. NOS. 31 AND 32)	1
16	090038001016	OIL PUMP HOUSING W/CAM PIN ASSEMBLY .	1	34	308010006	INTERMEDIATE BOOM ASSEMBLY	1
17	090038001017	* SCREW (M5 X 13 mm)	2	35	090038001032	BLADE COVER.....	1
18	090038001001	OIL CAP WITH RETAINER (PKG.)	1	36	308400002	PRUNER GEAR HEAD (INCLUDES KEY. NOS. 1-9 AND 12-30)	1

* STANDARD HARDWARE ITEM – MAY BE PURCHASED LOCALLY

RYOBI TP30 GAS PRUNER MODEL NO.
RY52502 and RY52903

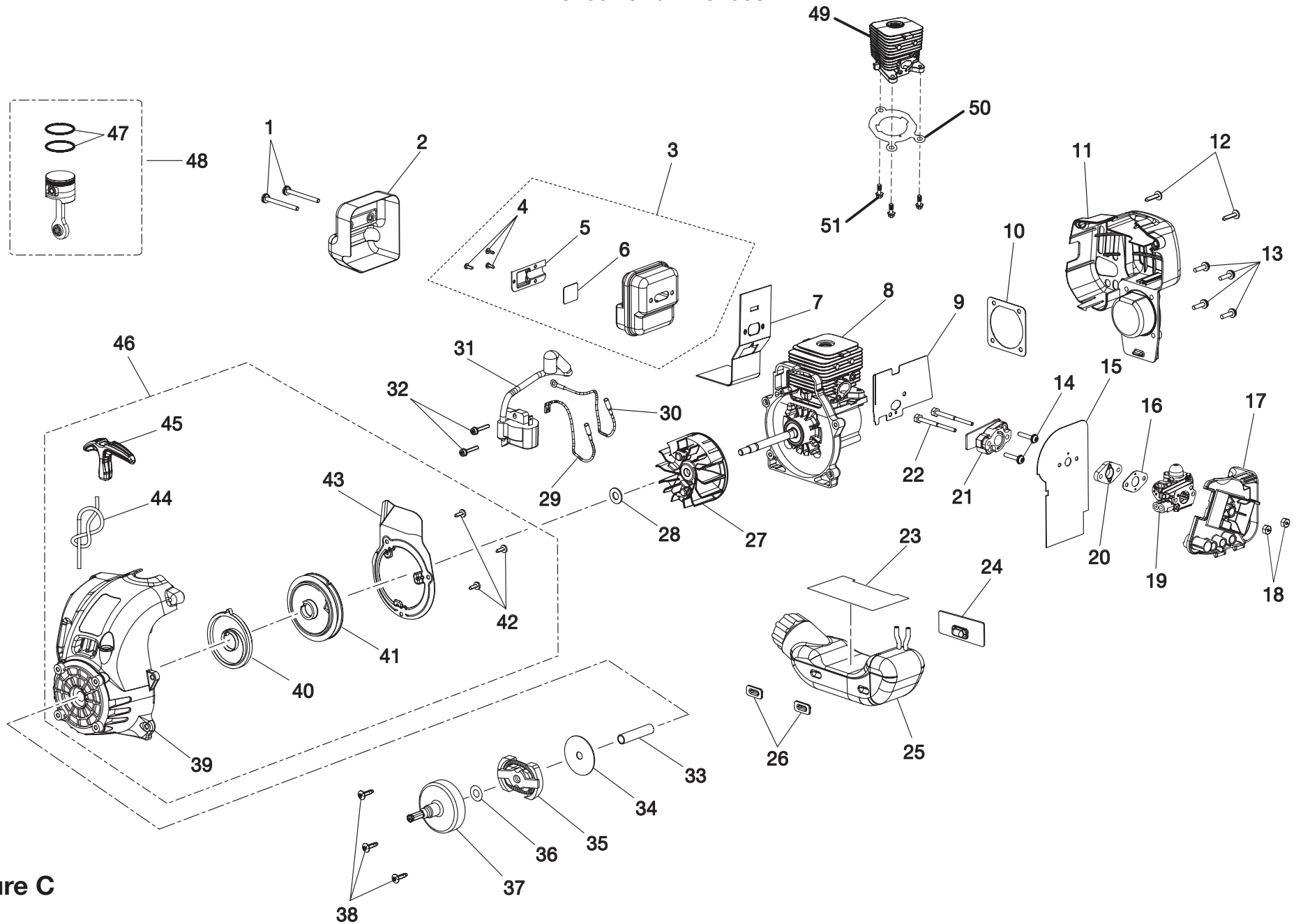


Figure C

**RYOBI TP30 GAS PRUNER MODEL NO.
RY52502 and RY52903**

PARTS LIST (FIGURE C)

KEY NO.	PART NUMBER	DESCRIPTION	QTY	KEY NO.	PART NUMBER	DESCRIPTION	QTY
1	660638003	* SCREW (10-24 X 2-1/8 in. TORX TR. HD.)	2	26	570256001	BUMPER	2
2	638094001	HEAT SHIELD	1	27	308433001	ROTOR W/PAWLS ASSEMBLY	1
3	308092008	MUFFLER ASSEMBLY	1	28	650017001	WASHER	1
4	660870001	SCREW (RECESSED PAN HD)	3	29	290222001	LEAD W/TERMINALS	1
5	638044001	OUTLET TUBE	1	30	290223001	LEAD W/TERMINALS	1
6	638268001	SCREEN	1	31	308389002	IGNITION MODULE W/3 SEC. KILL SWITCH. 1	
7	900994006	MUFFLER GASKET	1	32	660660001	SCREW (8-32 X 1 in. THD FORMING)	2
8	308192004	SHORT BLOCK ASSEMBLY (30 cc) (EXTERNAL GASKETS NOT INCLUDED)	1	33	638091002	SPACER TUBE	1
9	900994010	INTAKE GASKET	1	34	638090001	WASHER (PKG)	1
10	900954001	COVER GASKET	1	35	300960002	CLUTCH ASSEMBLY	1
11	518107003	REAR HOUSING	1	36	678257001	CLUTCH WASHER	1
12	660674001	* SCREW (10-14 X 7/8 in. TRUSS HD. T.F.)	2	37	308177001	DRUM AND CONNECTOR	1
13	660638004	* SCREW W/LOCK WASHER (10-24 X 3/4 in. PAN HD. TORX)	4	38	660630002	* SCREW (10-24 X 3/4 in.)	3
14	660662001	SCREW (10-24 X 1 in. PAN HD.)	2	39	308436001	STARTER HOUSING AND EYELET ASSEMBLY	1
15	900740002	CARBURETOR GASKET	1	40	638033001	SPRING AND CONTAINER	1
16	900994004	CARBURETOR GASKET (NON-STRATO)	1	41	308374001	STARTER PULLEY ASSEMBLY	1
17	518094001	AIR FILTER BASE	1	42	660694001	SCREW (THREAD FORMING 8-16 X 1/2 in.) ..	3
18	678027001	* LOCK NUT (10-24)	2	43	638229001	BAFFLE/ISOLATOR	1
19	308054004	CARBURETOR ASSEMBLY	1	44	900849002	STARTER ROPE (42 in.)	1
20	590456003	SPACER	1	45	511731001	STARTER GRIP	1
21	518070001	HEAT DAM	1	46	308194004	STARTER HOUSING ASSEMBLY	1
22	660346002	CARBURETOR MOUNTING BOLT (10 X 2-1/2 in.)	2	47	690161005	PISTON RING	2
23	900999002	TANK INSULATION GASKET	1	48	308023003	PISTON W/ROD ASSEMBLY	1
24	570549001	RUBBER BUMPER	1	49	640069002	CYLINDER, 30CC	1
25	308181005	FUEL TANK ASSEMBLY W/CAP	1	50	900953001	CYLINDER GASKET	1
				51	660342002	* SCREW (M5 X 20 mm)	3

* STANDARD HARDWARE ITEM – MAY BE PURCHASED LOCALLY