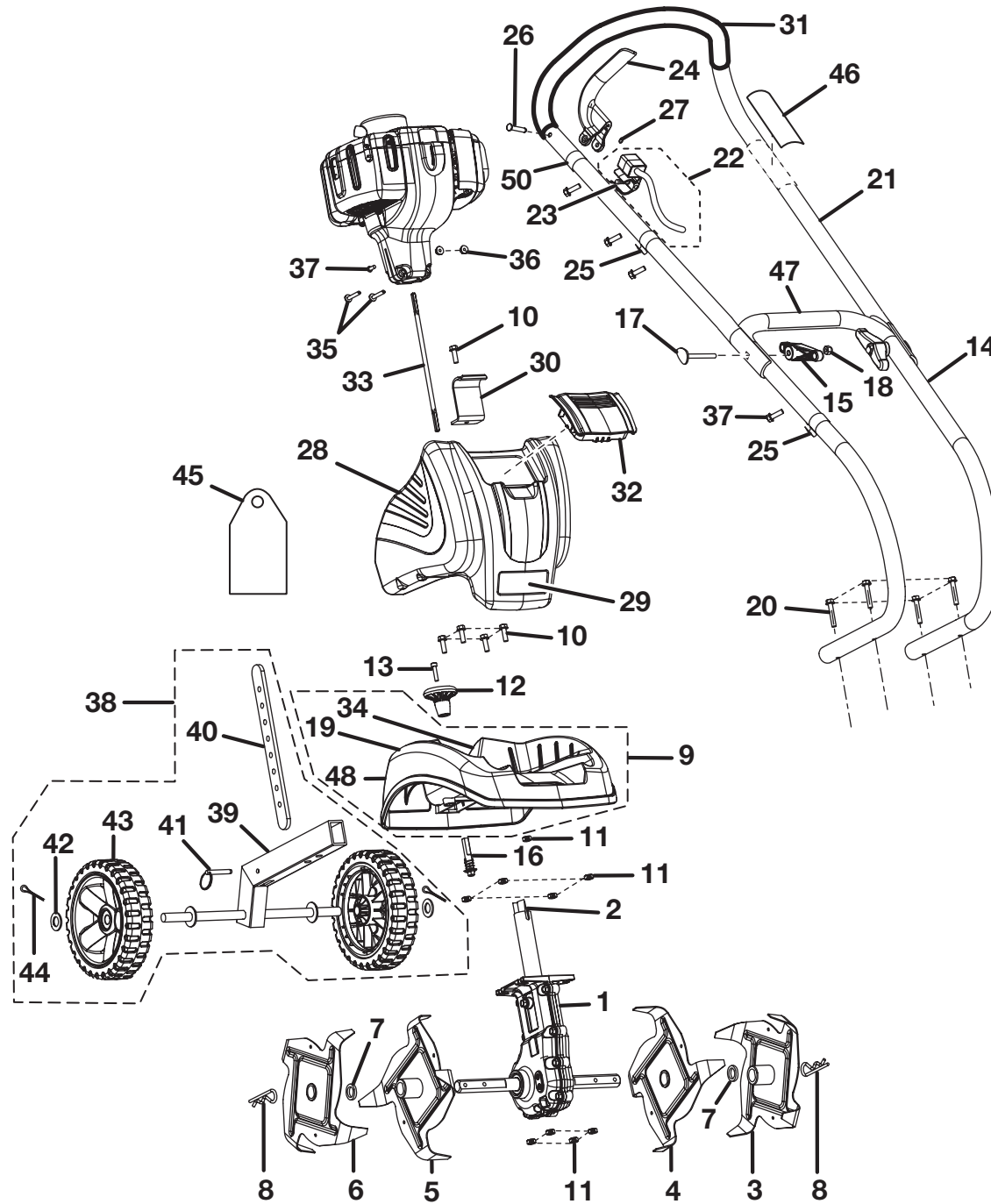


For Parts Call 606-678-9623 or 606-561-4983

**RYOBI  
GAS CULTIVATOR  
MODEL NO. RY60512  
REPAIR SHEET**

RYOBI GAS CULTIVATOR - MODEL NO. RY60512



**RYOBI GAS CULTIVATOR – MODEL NO. RY60512**

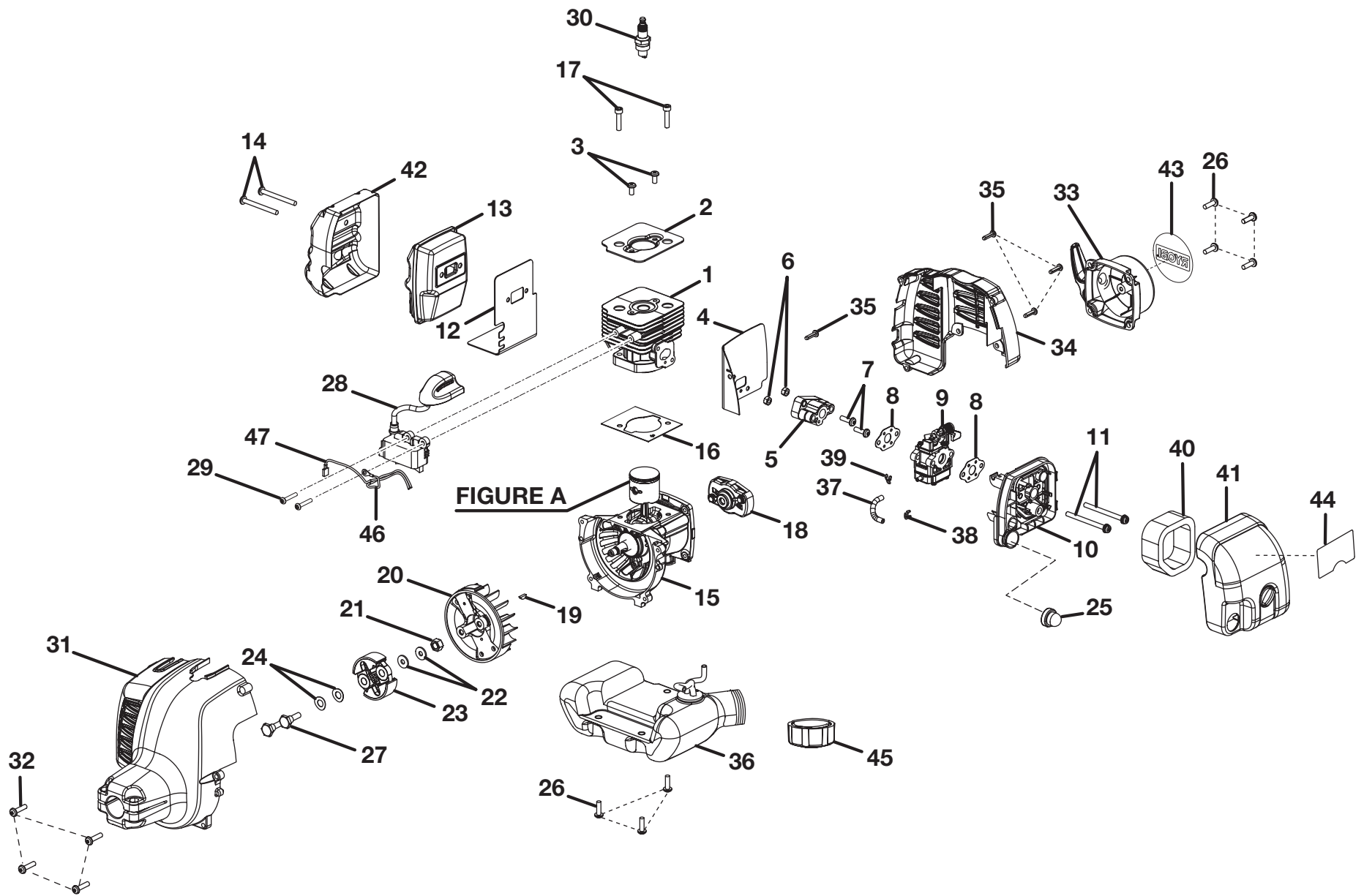
The model number will be found on a plate attached to the starter housing. Always mention the model number in all correspondence regarding your **GAS CULTIVATOR** or when ordering repair parts.

**PARTS LIST**

KEY NO.	PART NUMBER	DESCRIPTION	QTY	KEY NO.	PART NUMBER	DESCRIPTION	QTY
1	220029004	Gear Box Assembly with Tube .....	1	26	638132001	Throttle Lever Pin .....	1
2	518132001	Liner - Drive Tube .....	1	27	678135001	Retaining Ring .....	1
3	308693001	Tine A, Outer Right .....	1	28	308217001	Just Add Sand™ Tank Assembly (Inc. Key No. 29) .....	1
4	308693002	Tine B, Inner Right .....	1	29	950119004	Logo Label .....	1
5	308693003	Tine C, Inner Left .....	1	30	678052001	Mounting Bracket .....	1
6	308693004	Tine D, Outer Left .....	1	31	518053002	Grip .....	1
7	900755001	Felt Washer .....	2	32	360991001	Just Add Sand™ Lid .....	1
8	638001004	Hitch Pin .....	2	33	620368001	Flexible Drive Shaft .....	1
9	308216009	Tine Shield Assembly (Inc. Key Nos. 19, 34 and 48) .....	1	34	950119001	Wheel Accessory Label .....	1
10	660643002	* Bolt (1/4-20 x 1 in.) .....	5	35	660651001	* Bolt (10-24 x 1-1/4 in.) .....	2
11	678132001	* Lock Nut (1/4-20) .....	9	36	678027001	* Lock Nut (10-24).....	2
12	518206001	Adjustment Knob.....	1	37	660669001	* Screw (8-16 x 1/2 in.) .....	5
13	660713001	* Screw (M5 x 16 mm Pan Hd.) .....	1	38	308213003	Wheel/Drag Bar Assembly (Inc. Key Nos. 39-44) .....	1
14	000998258	Lower Handle Assembly (Inc. Key Nos. 25 and 47) .....	1	39	308222002	Wheel Frame.....	1
15	518190001	Handle Bar Knob (1/4-20) .....	2	40	638017004	Drag Bar .....	1
16	308228001	Receiver Retainer Assembly .....	1	41	638017003	Quick Release Pin .....	1
17	660711002	* Carriage Bolt (1/4-20 x 2-1/4 in.) .....	2	42	638017002	Flat Washer .....	2
18	678142001	* Acorn Nut (1/4-20) .....	2	43	308236002	Wheel Assembly (6 in. Dia.) .....	2
19	950119010	Warning Label, Foot .....	1	44	638635001	Cotter Pin (Split Pin) .....	2
20	660643001	* Handle Bolt (1/4-20 x 1.53 in.) .....	4	45	950119014	Warning Hang Tag .....	1
21	000998365	Upper Handle Assembly (Inc. Key No. 25, 31, 46 and 50) .....	1	46	950119006	Boom Warning Label .....	1
22	308641004	Throttle Cable Assembly (Inc. Key No. 23) .....	1	47	950119003	Starting Label .....	1
23	760679001	Switch .....	1	48	950119002	Warning Label .....	1
24	518256001	Throttle Lever.....	1	49	308642001	Fuel Cap (Not Shown) .....	1
25	518307001	Clip .....	2	50	518489001	Rope Clip .....	1
					987000124	Operator's Manual	
					04-27-07		
					(Rev:00)		

\* STANDARD HARDWARE ITEM – MAY BE PURCHASED LOCALLY

RYOBI GAS CULTIVATOR - MODEL NO. RY60512



**RYOBI GAS CULTIVATOR – MODEL NO. RY60512**

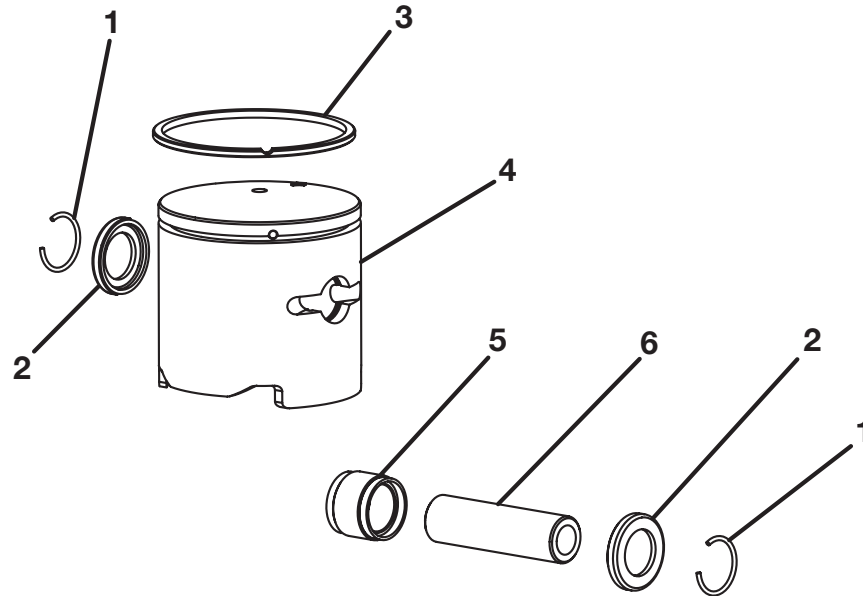
The model number will be found on a plate attached to the starter housing. Always mention the model number in all correspondence regarding your **GAS CULTIVATOR** or when ordering repair parts.

**PARTS LIST**

KEY NO.	PART NUMBER	DESCRIPTION	QTY	KEY NO.	PART NUMBER	DESCRIPTION	QTY
1	640570016	25.4 Cylinder .....	1	26	660351001	* Screw (M5 x 16 mm) .....	7
2	630002021	Plate .....	1	27	660353001	* Screw (M6 x 1 x 14 mm Pan Hd.) .....	2
3	660351002	* Screw (M5 x 10 mm Pan Hd.) .....	2	28	290178008	Coil Assembly .....	1
4	900711006	Gasket .....	1	29	660349001	* Screw (M4 x .7 x 22 mm Pan Hd.) .....	2
5	518329001	Insulator .....	1	30	870144002	Spark Plug (NGKBPMR7A or Champion RCJ-4Y)....	1
6	690840001	* Hex Nut (M5 x .8 mm) .....	2	31	300754008	Front Housing Assembly .....	1
7	660344003	Screw (M5 x 31 mm Pan Hd.) .....	2	32	660344001	* Screw (M5 x .8 x 20 mm Pan Hd.) .....	4
8	900711003	Gasket .....	2	33	308430002	Starter Housing Assembly .....	1
9	308428002	Carburetor Assembly.....	1	34	518201001	Rear Engine Housing .....	1
10	518130002	Filter Housing Assembly .....	1	35	660563001	* Screw (M4 x 16 mm Pan Hd.) .....	4
11	660346001	* Screw (M5 x .8 x 60 mm Pan Hd.) .....	2	36	300757007	Fuel Tank .....	1
12	630002006	Gasket .....	1	37	560880002	Fuel Line .....	1
13	300748016	Muffler Assembly .....	1	38	690700001	Hose Clip .....	1
14	660347001	Screw (M5 x .8 x 50 mm Pan Hd.) .....	2	39	690699001	Clip .....	1
15	300749004	Crankcase Assembly .....	1	40	901590001	Air Filter .....	1
16	900709001	Gasket .....	1	41	308207002	Air Filter Cover Assembly (Inc. Key No. 44) .....	1
17	660342001	* Screw (M5 x .8 x 22 mm) .....	2	42	638027001	Heat Shield .....	1
18	308004001	Pulley Assembly .....	1	43	950119007	Logo Label .....	1
19	690688001	Woodruff Key .....	1	44	950119008	Primer Label .....	1
20	640574001	Rotor .....	1	45	308642001	Fuel Cap .....	1
21	690689001	Nut .....	1	46	290143001	Black Lead .....	1
22	690695001	Washer .....	2	47	290143002	Red Lead .....	1
23	300756001	Clutch Assembly .....	1		000998216	Spark Arrestor Kit (Not Shown) .....	1
24	690696001	Wavy Washer .....	2				
25	300780002	Primer Assembly.....	1				

\* STANDARD HARDWARE ITEM – MAY BE PURCHASED LOCALLY

FIGURE A



PARTS LIST FOR FIGURE A

KEY NO.	PART NUMBER	DESCRIPTION	QTY
1	690691001	Wrist Pin Clip Ring .....	2
2	690687001	Washer .....	2
3	690161002	Piston Ring .....	1
4	640920002	Piston .....	1
5	690686002	Needle Bearing (Id 8 x 8.8) .....	1
6	620301001	Wrist Pin .....	1