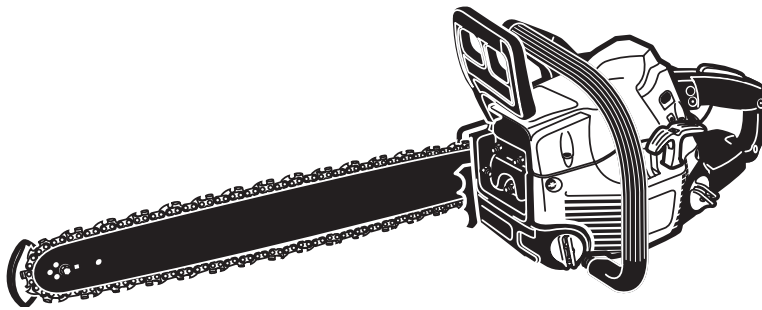


For Parts Call 606-678-9623 or 606-561-4983

# Homelite®

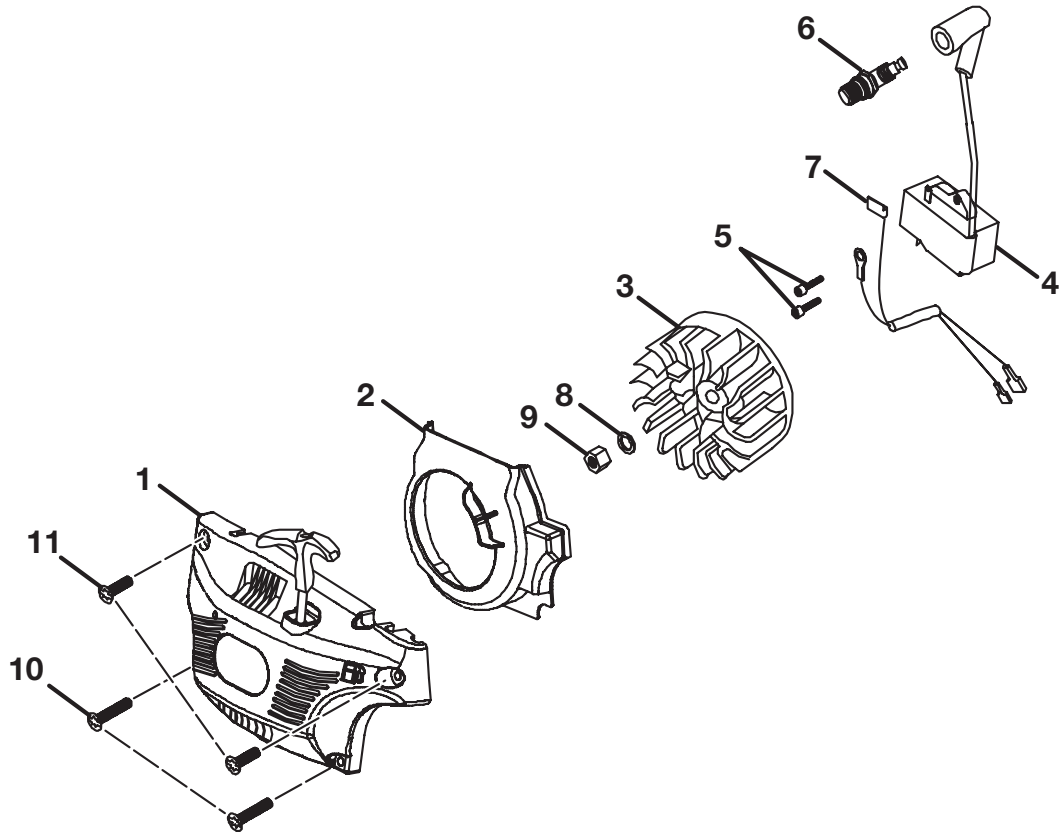
## PARTS LIST



## MODELS

45cc - 18 in.    UT10550

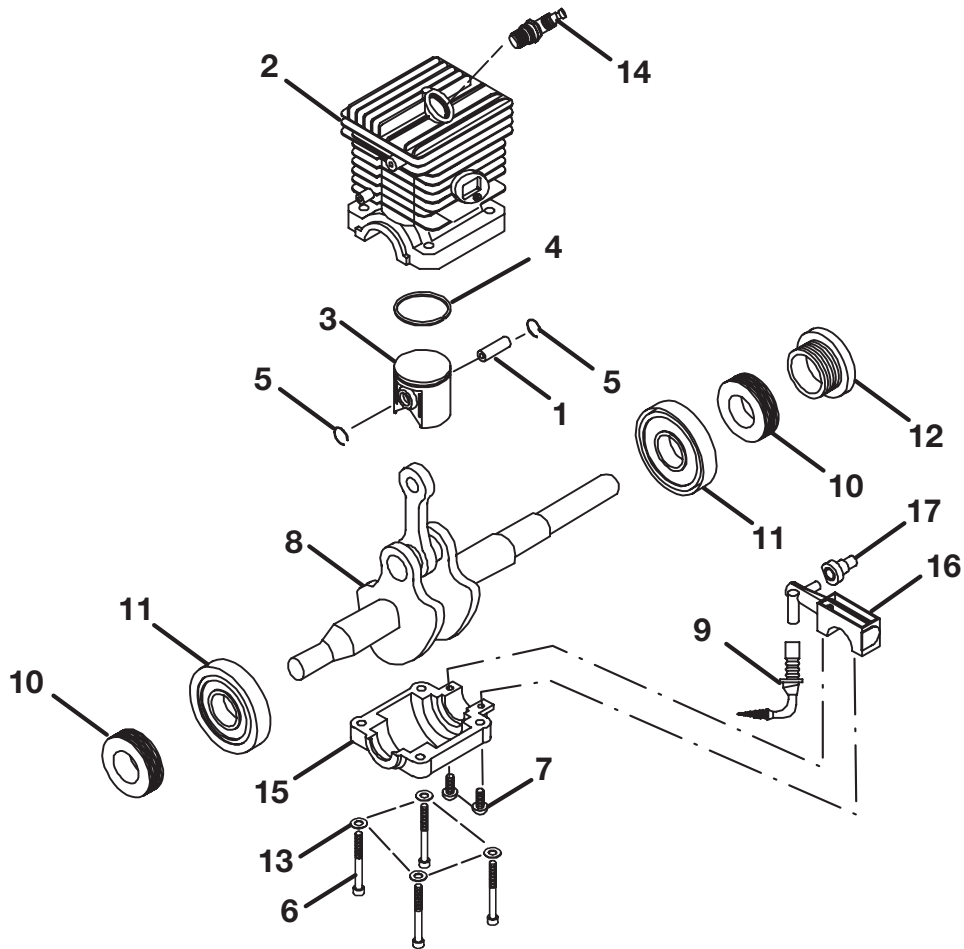
## STARTER – IGNITION



NO.	PART NO.	DESCRIPTION	QTY.
1	300982012	STARTER COVER ASSY., W/EYELET	1
2	518055001	BAFFLE	1
3	308084001	ROTOR W/STARTER PAWL	1
4	300953001	IGNITION KIT	1
5	660639001	SCREW (8-32 x 5/8 in.)	2
6	870170001	SPARK PLUG	1
7	290195003	IGNITION SWITCH HARNESS	1
8	631049001	WASHER	1
9	678123001	NUT	1
10	660637001	SCREW (10-14 x 7/8 in.)	2
11	660632001	SCREW (10-14 x 5/8 in.)	2

ITEM NO.	TORQUE SPECS.		REQUIRED LOCTITE
	in./lbs.	nm	
5	30-40	3.4-4.5	242 blue
6	120-180	13.6-20.3	
9	100-150	11.3-20.3	
10	30-40	3.4-4.5	
11	30-40	3.4-4.5	

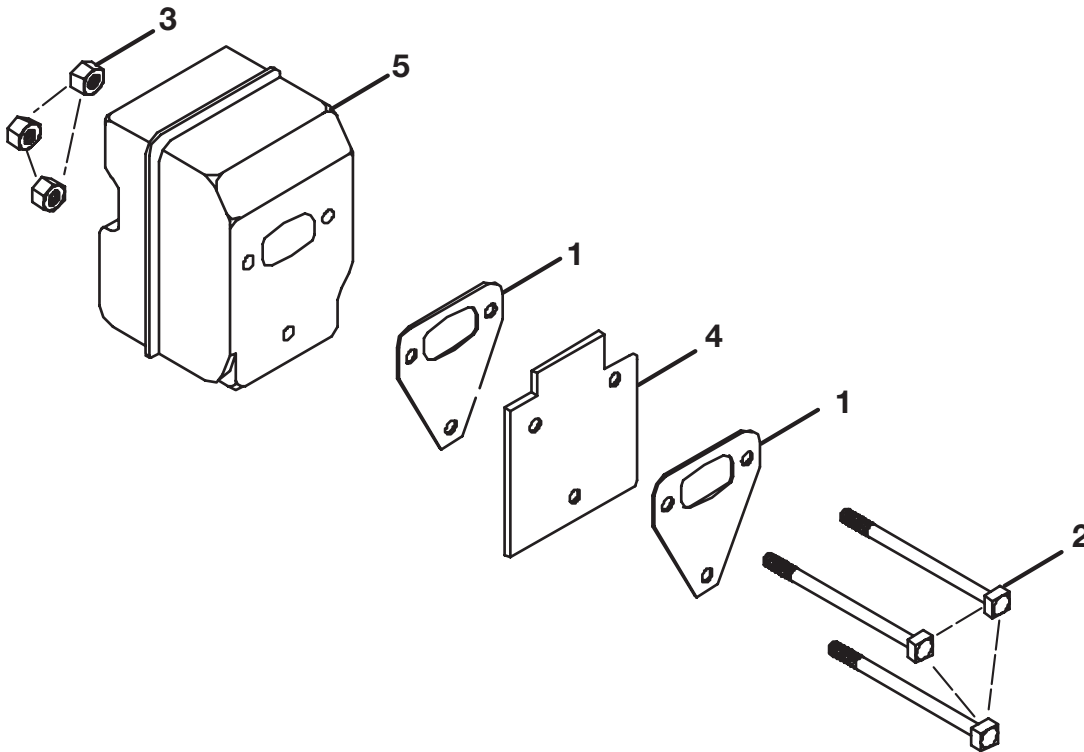
## ENGINE INTERNAL - OIL PUMP



NO.	PART NO.	DESCRIPTION	QTY.
	300982004	SHORT BLOCK ASSEMBLY	1
1	620295001	PISTON PIN	1
2	640840001	CYLINDER MACH/PLATED	1
3	640839001	45CC PISTON (MACH)	1
4	678036001	PISTON RING	1
5	671082001	RETAINING RING	2
6	660622001	SCREW TORX PLUS CAP-SOCKET HD	4
7	660627001	SCREW, (8/32 X 5/8 in. PAN HD TORX)	2
8	308068001	45CC SINTERED METAL CRANKSHAFT ASSEMBLY	1
9	300950001	OIL INTAKE TUBE W/FILTER	1
10	570220001	SHAFT SEAL	2
11	308007001	BEARING CASE ASSEMBLY	2
12	T610389001	LEFT HAND WORM	1
13	671080001	FLAT WASHER	4
14	870170001	SPARK PLUG	1
15	640843001	CRANKCASE (45CC) CS	1
16	300945002	OIL PUMP ASSEMBLY	1
17	570226001	GROMMET, OIL OUTLET	1

ITEM NO.	TORQUE SPECS.		REQUIRED LOCTITE
	in./lbs.	nm	
6	65-75	7.3-8.5	262 RED
7	15-20	1.7-2.3	
14	120-180	13.6-20.3	

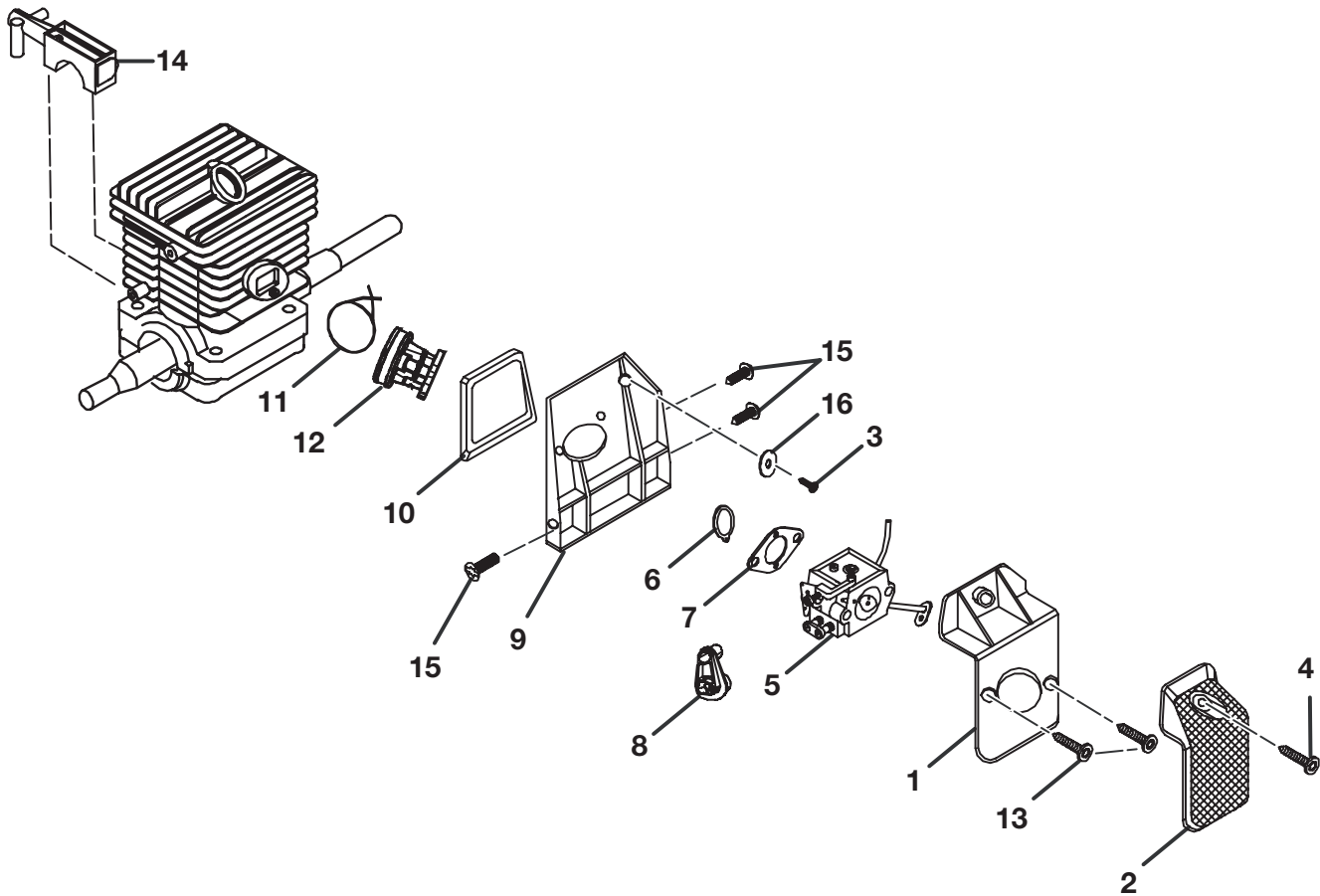
## MUFFLER



NO.	PART NO.	DESCRIPTION	QTY.
1	900848002	MUFFLER GASKET	2
2	660626001	SCREW-SQUARE HD.	3
3	671079001	NUT-LOCKING HEX (10-32)	3
4	900888002	MUFFLER PLATE	1
5	308071001	MUFFLER ASSEMBLY	1

ITEM NO.	TORQUE SPECS.		REQUIRED LOCTITE
	in./lbs.	nm	
3	50-60	5.6-6.7	

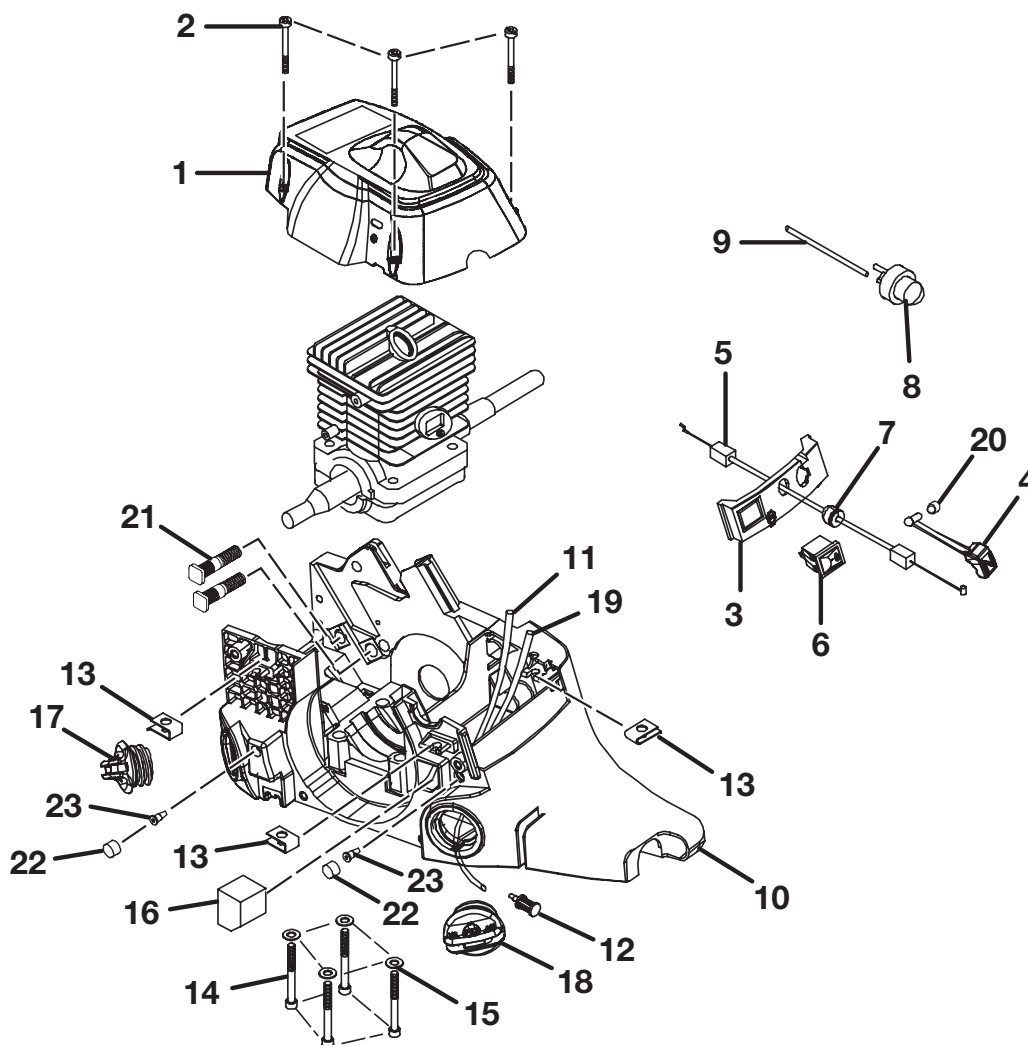
## CARBURETOR – AIR FILTER



NO.	PART NO.	DESCRIPTION	QTY.
1	518048001	AIR FILTER BASE	1
2	518049001	AIR FILTER COVER	1
3	660634001	SCREW	1
4	660617001	SCREW (8-16 x 5/8 in.)	1
5	308070001	CARBURETOR	1
6	518045001	PLATE, CARBURETOR	1
7	900886001	GASKET, CARBURETOR	1
8	570242001	GROMMET, CARBURETOR	1
9	308081001	ADAPTOR, CARBURETOR	1
10	518047001	SEAL-CARB. ADAPTOR	1
11	671267001	CLAMP	1
12	570243001	INTAKE BOOT	1
13	660655001	SCREW (10-32 x 1.75 mm)	2
14	300945002	OIL PUMP ASSEMBLY	1
15	660629001	SCREW (TORX)	3
16	671072001	WASHER	1

ITEM NO.	TORQUE SPECS. in./lbs.	TORQUE SPECS. nm	REQUIRED LOCTITE
4	50-60	5.6-6.7	
13	30-40	3.4-4.5	
15	15-20	1.7-2.3	
17	15-20	1.7-2.3	

## ENGINE HOUSING – FUEL TANK – OIL TANK

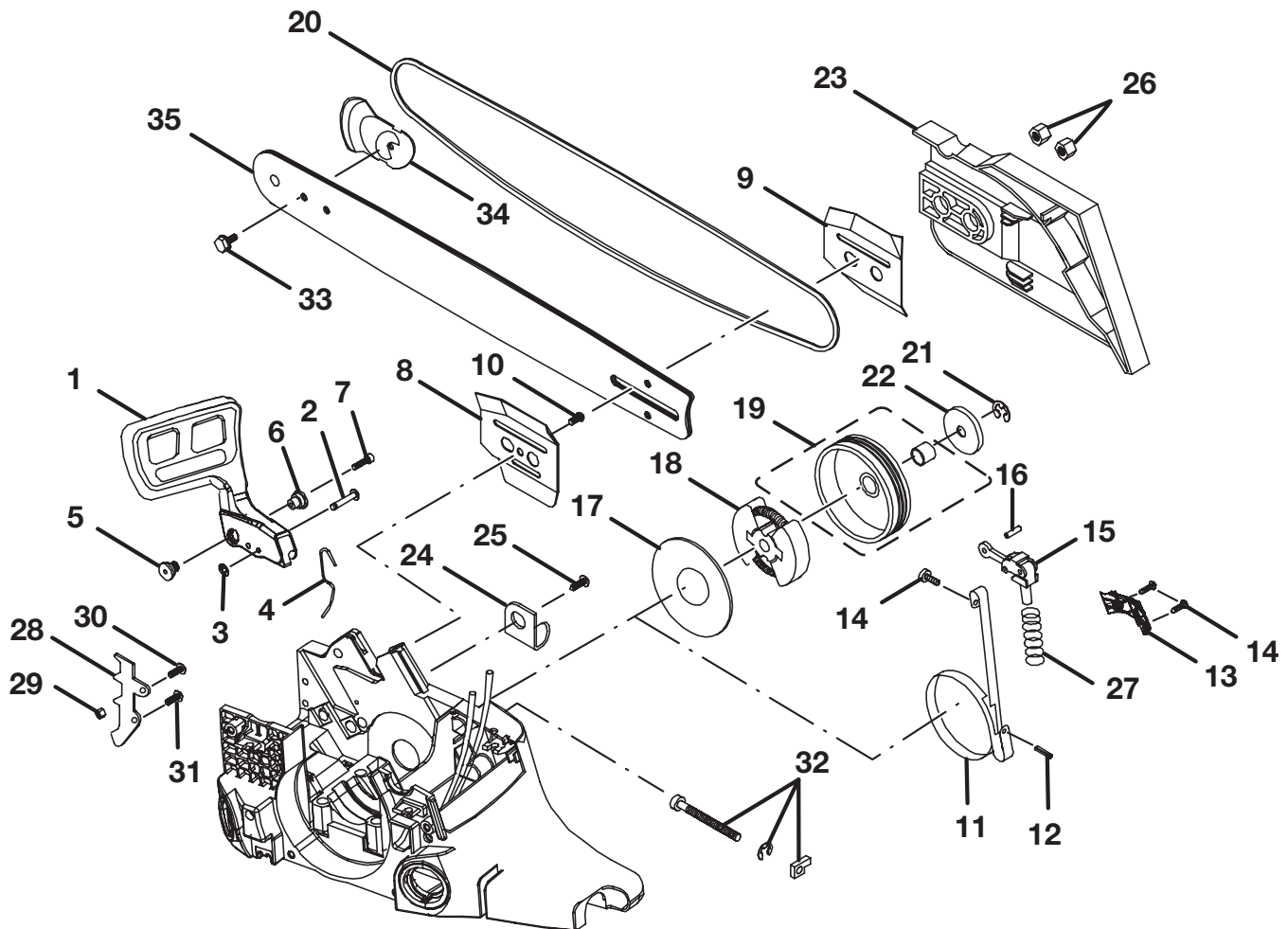


NO.	PART NO.	DESCRIPTION	QTY.
1	518042001	CYLINDER COVER	1
2	660636001	SCREW (10-16 X 1.5 PAN HD.)	3
3	518044001	CONTROL PANEL	1
4	511709002	ROD, CHOKE	1
5	900885001	THROTTLE CABLE	1
6	760352001	SWITCH, ROCKER	1
7	570227001	GROMMET - SPLIT	2
8	308088001	PRIMER BULB	1
9	570247004	RUBBER TUBING (2-1/2 in.)	1
10	300947003	CHASSIS & COMPONENTS ASSEMBLY (45CC)	1
11	570247003	RUBBER TUBING (8-1/2 in.)	1
12	300759003	FUEL FILTER	1
13	671077001	SPEED NUT	3
14	660622001	SCREW (10-24 x 2 in.)	4
15	671080001	WASHER	4
16	900844001	PRE FILTER	1
17	300949001	OIL CAP	1
18	300948001	FUEL CAP	1

NO.	PART NO.	DESCRIPTION	QTY.
19	570247002	RUBBER TUBING (5-1/2 in.)	1
20	631034002	HAIR PIN, CHOKE ROD	1
21	660628001	BOLT, GUIDE BAR	2
22	671088001	ELEMENT, BRONZE	2
23	560955001	DUCK BILL VALVE	2
	940299388	STARTING INSTRUCTION	1
	940299512	CHAIN BRAKE	1
	940299376	KICKBACK	1
	940299381	DRIVECASE COVER	1
	940299373	STARTER HOUSING	1
	940299384	DECALS: 18 in. (45cc)	1
	940299383	GUIDE BAR OIL LABEL	1
		FUEL MIX LABEL (50:1)	1

ITEM NO.	TORQUE SPECS.		REQUIRED LOCTITE
	in./lbs.	nm	
2	15-25	1.7-2.3	
14	65-75	7.3-8.5	262 RED

# CLUTCH - CHAIN BRAKE - DRIVE CASE COVER

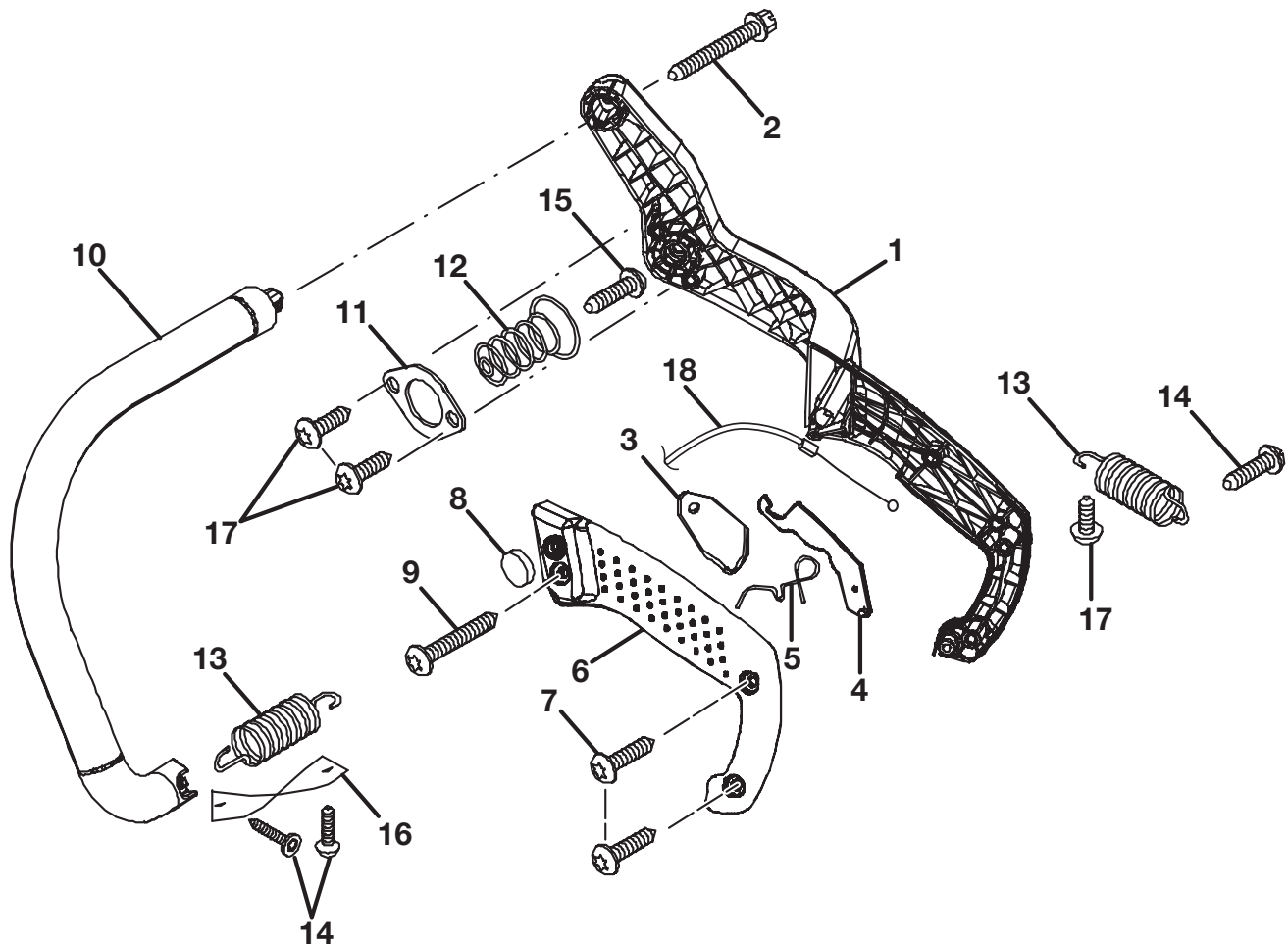


NO.	PART NO.	DESCRIPTION	QTY.
1	511723001	HAND GUARD	1
2	620282001	HAND GUARD ACTUATING PIN	1
3	671075001	RETAINING RING	1
4	638024001	SPRING, HANDGUARD	1
5	671097001	PIVOT, LH	1
6	671096001	PIVOT, RH	1
7	660635001	SCREW (8-32 x 5/8 in.)	1
8	631036001	PLATE, GUIDE BAR	1
9	631038001	PLATE, GUIDE BAR	1
10	T660619001	SCREW (6-19 x 1/2 in.)	1
11	631063001	BRAKE BAND	1
12	671095001	PIN, ROLL	1
13	511720001	BRAKE BAND COVER	1
14	660634001	SCREW (8-16 x .320 )	3
15	300954001	CHAIN BRAKE LINK	1
16	671099001	PIN, ROLL	1
17	631061001	THRUST WASHER	1
18	300960001	CLUTCH & HARDWARE	1
19	300958002	SPROCKET DRUM & BEARING ASSEMBLY (.325 PITCH)	1
20	900920004	CHAIN	1
21	671103001	RING, RETAINING	1

NO.	PART NO.	DESCRIPTION	QTY.
22	631060001	WASHER	1
23	300957001	DRIVE CASE COVER	1
24	631035001	CHAIN CATCHER	1
25	660618001	SCREW (10-24 x 1/2 in.)	1
26	671076001	NUT, HEX	2
27	678113001	SPRING, COMPRESSION	1
28	631039001	BUMPER SPIKE	1
29	678027002	LOCK NUT, HEX (10-24)	1
30	660625001	SCREW	1
31	660621001	SCREW, TRUSS HD.	1
32	308116001	ADJUSTING PIN KIT	1
33	660640001	SCREW - SAFETY TIP (HEX HD.)	1
34	308006003	SAFETY TIP	1
35	308108001	GUIDE BAR	1

ITEM NO.	TORQUE SPECS.		REQUIRED LOCTITE
	in./lbs.	nm	
7	25-35	2.8-3.9	242 BLUE
10	8-18	0.9-2.0	
14	20-30	2.3-3.4	
18	130-180	14.7-20.3	
25	30-50	3.4-5.6	
26	HAND TIGHT		

## HANDLES



NO.	PART NO.	DESCRIPTION	QTY.
1	511721001	REAR HANDLE	1
2	660631001	SCREW (12-14 x 1-1/2 in.)	1
3	518052001	TRIGGER, THROTTLE	1
4	518051001	THROTTLE LOCK OUT	1
5	678037001	TORSION SPRING	1
6	511722001	HANDLE COVER	1
7	660629001	SCREW (10-14 x 3/4 in.)	2
8	518050001	PLUG-PLASTIC	1
9	660633001	SCREW (10-14 x 1-3/8 in.)	1
10	511724001	FRONT HANDLE	1
11	631051001	ISOLATOR PLATE	1
12	671098001	UPPER ISOLATION SPRING	1
13	671101001	SPRING - ISOLATOR	2
14	660632001	SCREW (10-14 x 5/8 in.)	3
15	660630001	SCREW (10-24 x 5/8 in.)	1
16	631050001	SPRING RETAINER	1
17	660618001	SCREW (10-14 x 1/2 in.)	3
18	900885001	THROTTLE CABLE	1

ITEM NO.	TORQUE SPECS.		REQUIRED LOCTITE
	in./lbs.	nm	
2	40-50	4.5-5.6	
7	30-40	3.4-4.5	
9	30-40	3.4-4.5	
14	30-40	3.4-4.5	
15	40-50	4.5-5.6	
17	30-40	3.4-4.5	



## ACCESSORIES

---

WRENCH – COMBINATION .....	631055001
SCABBARD .....	518061001
CARRYING CASE.....	308091012
OPERATOR'S MANUAL .....	983000420

### **HOMELITE CONSUMER PRODUCTS, INC.**

1428 Pearman Dairy Road, Anderson, SC. 29625

Post Office Box 1207, Anderson, SC 29622

Phone 1-800-242-4672

[www.homelite.com](http://www.homelite.com)