

For Parts Call 606-678-9623 or 606-561-4983

**HOMELITE
MIGHTYLITE 26cc BLOWER/VAC
MODEL NOS. UT08550 AND UT08951
REPAIR SHEET**

HOMELITE MIGHTYLITE 26cc BLOWER/VAC - MODEL NUMBERS UT08550, UT08951

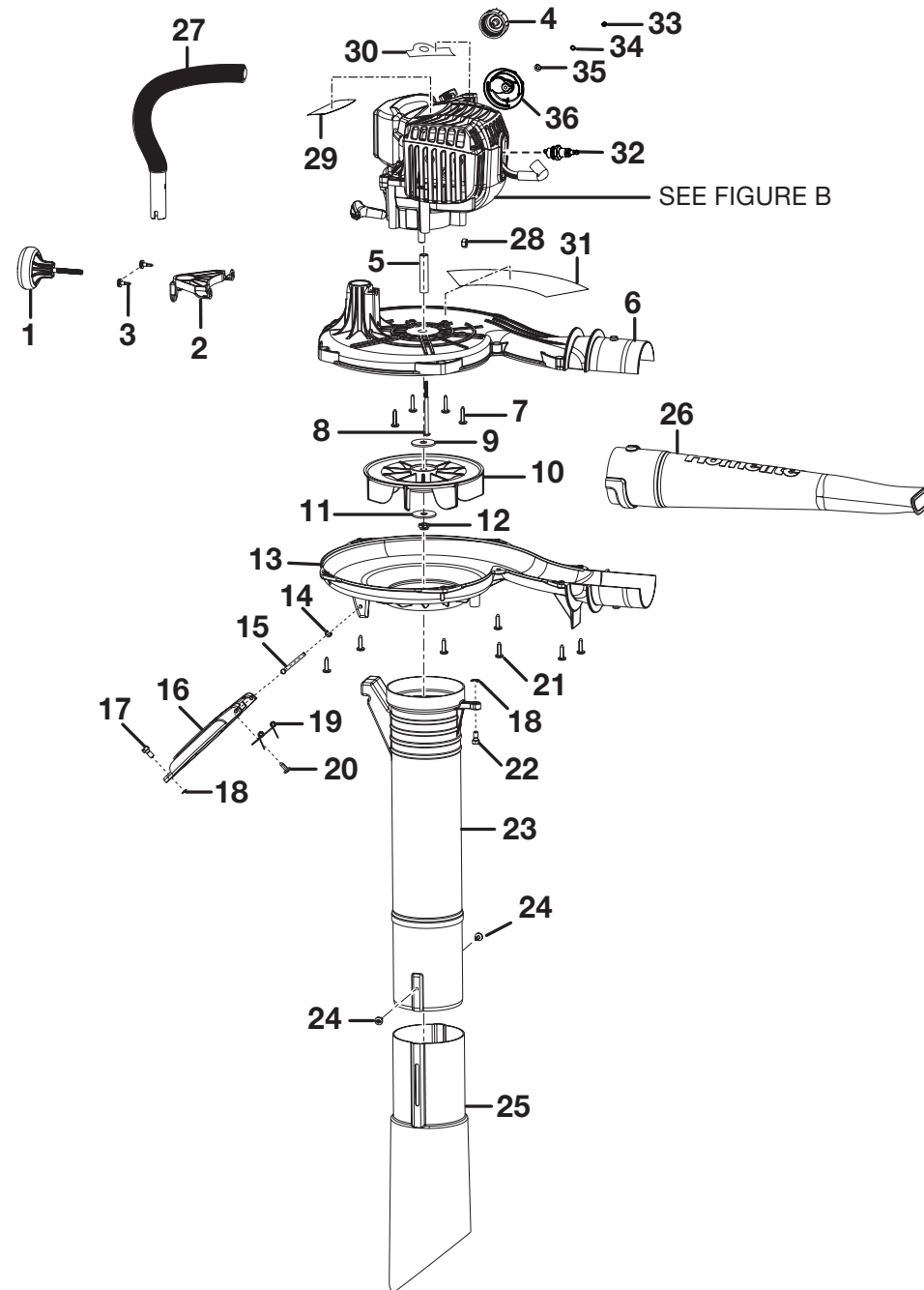


Figure A

HOMELITE MIGHTYLITE 26cc BLOWER/VAC – MODEL NUMBERS UT08550, UT08951

PARTS LIST (FIGURE A)

KEY NO.	PART NUMBER	DESCRIPTION	QTY	KEY NO.	PART NUMBER	DESCRIPTION	QTY
1	518593001	Handle Knob	1	21	660629001	* Screw (10-14 x 3/4 in., Torx T.F.)	7
2	518592001	Handle Adaptor	1	22	660880001	Screw (1/4-20, special)	1
3	660970002	Screw (M4, special)	2	23	580807001	Upper Vacuum Tube.....	1
4	308680001	Fuel Cap Assembly	1	24	660621001	* Screw (10-24 x 1/2 in., Truss Head Slotted Torx).....	2
5	638091006	Spacer (55 mm).....	1	25	580808001	Lower Vacuum Tube.....	1
6	518582001	Upper Volute	1	26	580843001	Blower Tube	1
7	660674001	* Screw (10-14 x 7/8 in.)	4	27	901204001	Foam Grip and Handle Assembly	1
8	660970004	Screw (M4, special)	1	28	678190002	* Hex Nut (1/4-20)	1
9	678126005	Washer	1	29	940755003	Logo Label	1
10	518581001	Fan	1	30	940647012	Choke Label	1
11	650016001	Flat Washer	1	31	940734015	Starting Label	1
12	660730001	* Hex Nut (3/8-24).....	1	32	870174001	* Spark Plug (Champion RCJ6Y)	1
13	518571001	Lower Volute.....	1	33	678435001	* Lock Nut (M4).....	1
14	678353001	E-Ring (4 mm)	1	34	678434002	* Wavy Washer (M4)	1
15	678514001	Pin	1	35	678434001	* Washer (M4)	1
16	518570001	Vacuum Door.....	1	36	518496001	Choke Dial Cover	1
17	660880002	Screw (1/4-20, special)	1		987000050	Operator's Manual (960704001)	
18	650027001	E-Ring	2		5-08-07		
19	678513001	Torsion Spring	1		(Rev:00)		
20	660618001	* Screw (10-14 x 1/2 in.)	1				

* STANDARD HARDWARE ITEM – MAY BE PURCHASED LOCALLY

HOMELITE MIGHTYLITE 26cc BLOWER/VAC - MODEL NUMBERS UT08550, UT08951

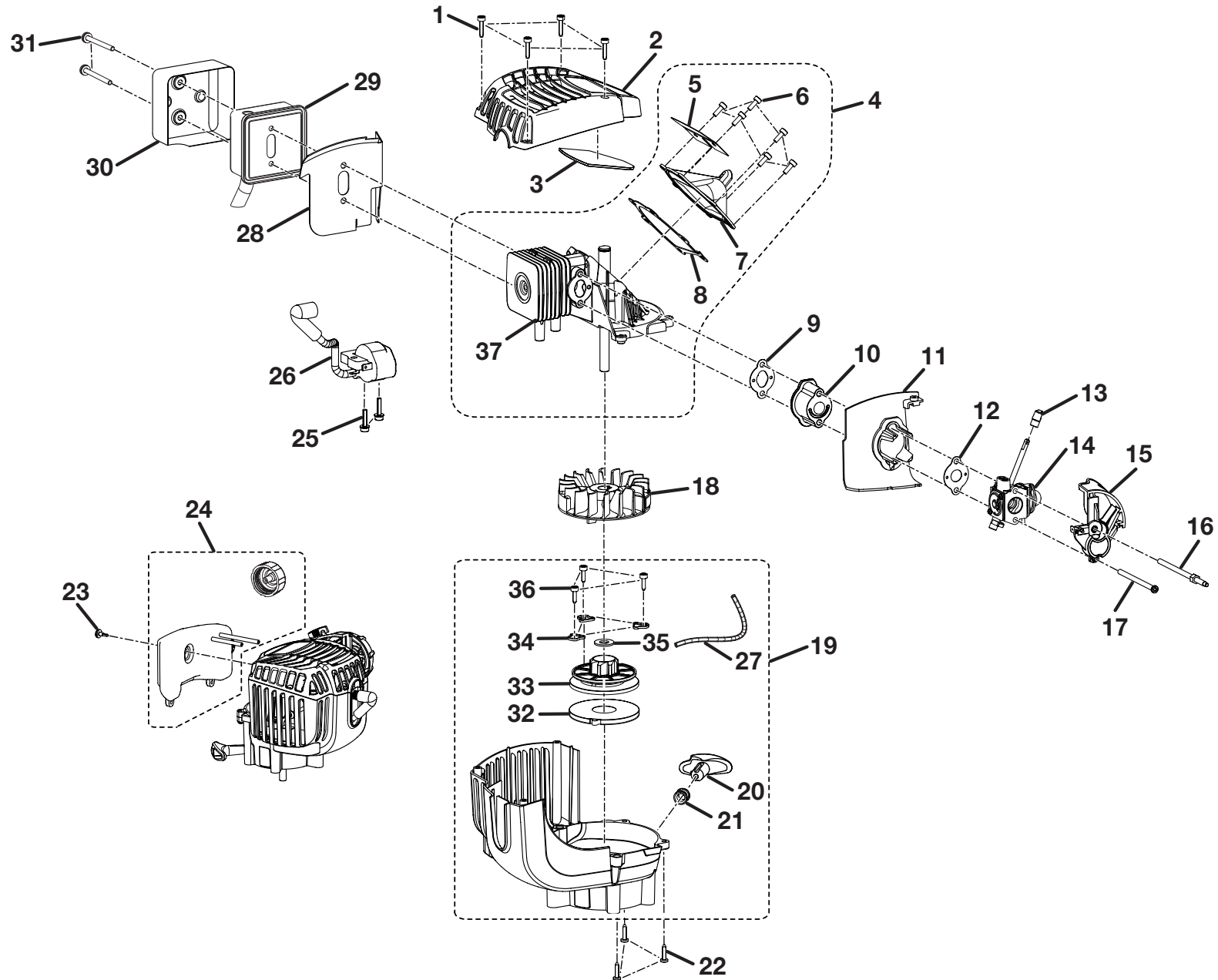


Figure B

HOMELITE MIGHTYLITE 26cc BLOWER/VAC – MODEL NUMBERS UT08550, UT08951

PARTS LIST (FIGURE B)

KEY NO.	PART NUMBER	DESCRIPTION	QTY	KEY NO.	PART NUMBER	DESCRIPTION	QTY
1	660466001	* Screw (M4 x 18 mm)	4	20	518502001	Starter Grip.....	1
2	518535001	Upper Housing	1	21	638088002	Eyelet.....	1
3	900951006	Heat Shield Gasket	1	22	660970001	* Screw (M4 x 16 mm)	3
4	309960001	Short Block Assembly (Inc. key nos. 5-8 and 37)	1	23	660970002	Screw (M4, special).....	1
5	638442003	Cylinder Heat Shield.....	1	24	308675004	Fuel Tank with Cap Assembly	1
6	660925003	* Screw (M4 x 12 mm)	6	25	660968001	* Screw (M4 x 19 mm)	2
7	638337001	Crankcase Cover.....	1	26	850108001	Ignition Module.....	1
8	901550001	Crankcase Cover Gasket	1	27	900849002	Starter Rope.....	1
9	901551001	Intake Gasket	1	28	901452003	Muffler Gasket.....	1
10	518497001	Heat Dam	1	29	308990007	Muffler Assembly.....	1
11	518690001	Baffle Plate	1	30	638442002	Heat Shield.....	1
12	901552001	Carburetor Gasket.....	1	31	660638003	* Screw (10-24 x 2-3/16 in.).....	2
13	518709001	Throttle Lever	1	32	638033001	Spring & Container Assembly	1
14	308028007	Carburetor	1	33	518501001	Starter Pulley.....	1
15	518532001	Air Box Base.....	1	34	638389001	Pulley Retainer	3
16	660453001	Hex Bolt (Double Sided).....	1	35	650017001	Flat Washer	1
17	660454001	* Screw (M5 x 70 mm)	1	36	660967001	* Screw (M4 x 14 mm)	3
18	308674001	Flywheel Assembly.....	1	37	640098001	Cylinder	1
19	308889001	Lower Housing with Starter Assembly (Inc. key nos. 20-21, 27 and 32-36)	1				

* STANDARD HARDWARE ITEM – MAY BE PURCHASED LOCALLY