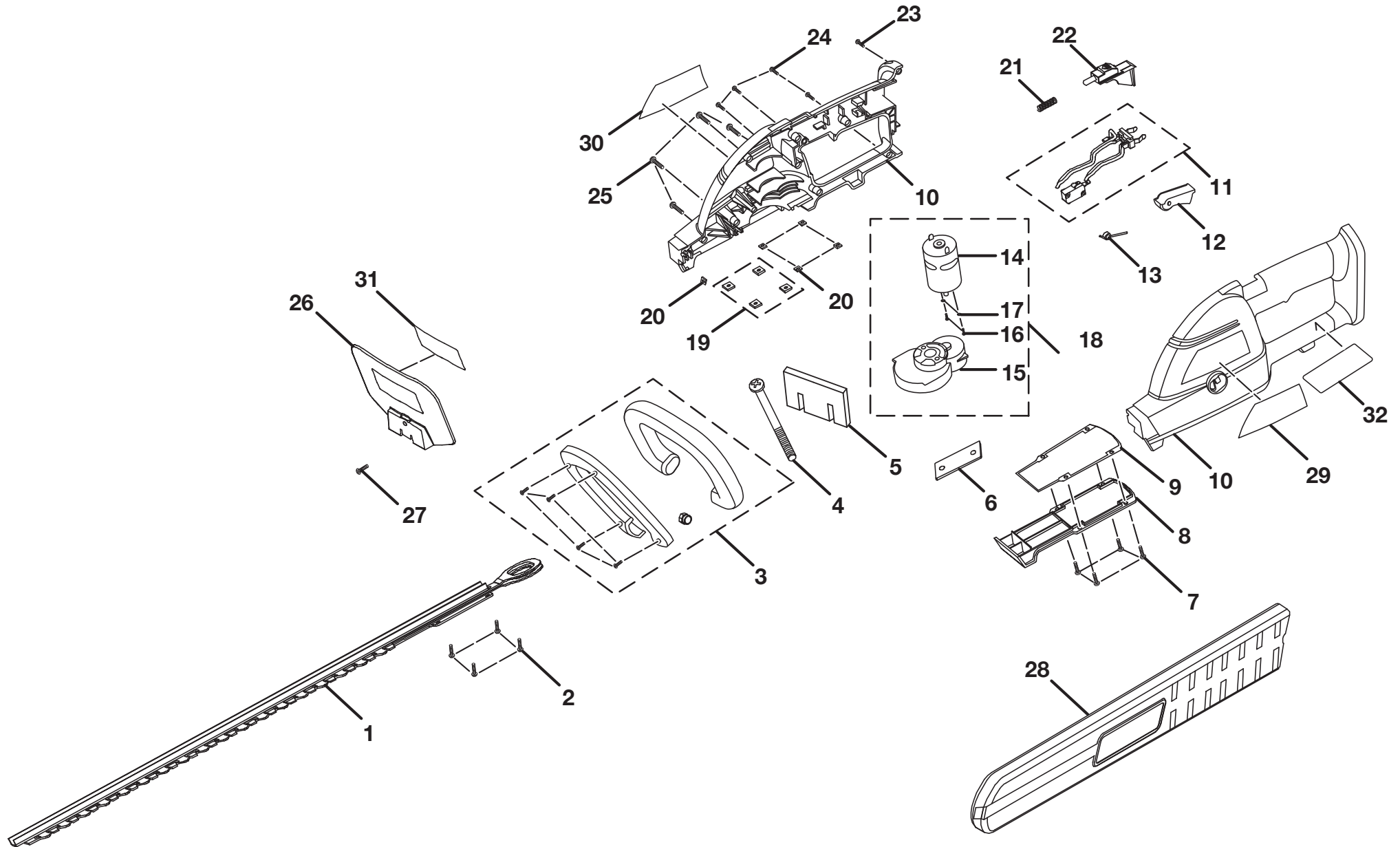


For Parts Call 606-678-9623 or 606-561-4983

RYOBI
18 VOLT HEDGE TRIMMER
MODEL NO. P2600/P2600A
REPAIR SHEET

For Parts Call 606-678-9623 or 606-561-4983

RYOBI 18 VOLT HEDGE TRIMMER – MODEL NUMBER P2600/P2600A



RYOBI 18 VOLT HEDGE TRIMMER – MODEL NUMBER P2600/P2600A

The model number will be found on a plate attached to the motor housing. Always mention the model number in all correspondence regarding your **HEDGE TRIMMER** or when ordering repair parts.

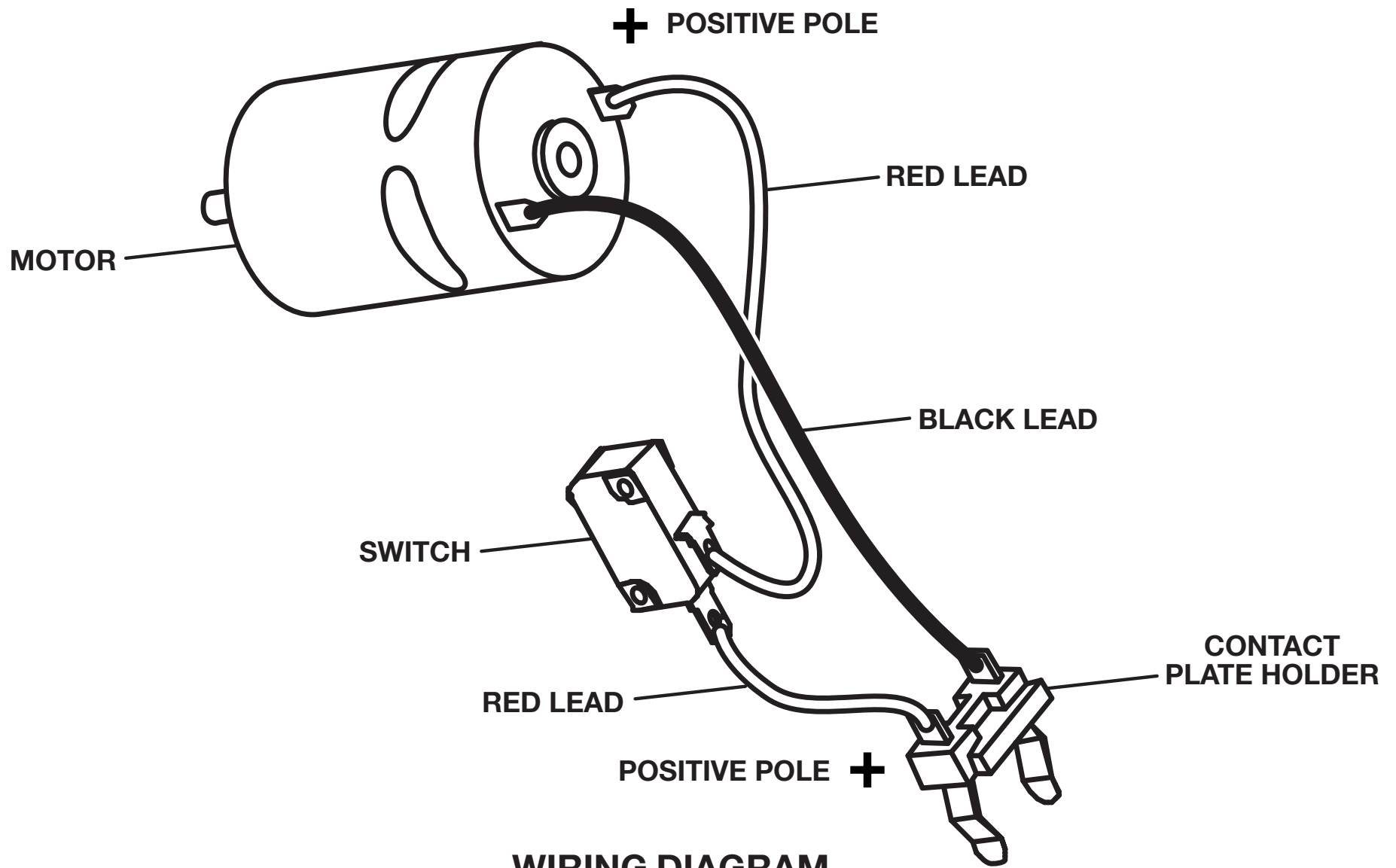
PARTS LIST

KEY NO.	PART NUMBER	DESCRIPTION	QTY	KEY NO.	PART NUMBER	DESCRIPTION	QTY
1	3013214	CUTTER BLADE ASSEMBLY.....	1	21	6791801	COMPRESSION SPRING	1
2	6613702	* SCREW (M4 X 16 mm).....	4	22	5205604	TRIGGER LOCK.....	1
3	200073006	HANDLE ASSEMBLY	1	23	6620801	* SCREW (M4 X 12 mm).....	1
4	660131001	* SCREW (M4 X 100 mm).....	1	24	6620805	* SCREW (M4 X 16 mm PAN HD.).....	4
5	560190011	SPONGE SEAL	1	25	6620803	* SCREW (M4 X 22 mm PAN HD,).....	4
6	6940501	BAR PLATE	1	26	590141003	BLADE GUARD	1
7	6613701	* SCREW (M4 X 12 mm).....	4	27	6603301	* SCREW (M4 X 12 mm).....	1
8	520058008	BLADE COVER	1	28	520059002	BLADE COVER	1
9	590188001	RUBBER SEAL	1	29	940263159	LOGO LABEL.....	1
10	200208008	HOUSING ASSEMBLY	1	30	940303260	DATA LABEL (P2600)	1
11	270011079	SWITCH ASSEMBLY	1		940304478	DATA LABEL (P2600A).....	1
12	5205506	TRIGGER	1	31	940077084	BLADE GUARD LABEL.....	1
13	6794201	TRIGGER SPRING.....	1	32	960059101	HANG TAG.....	1
14	2303335	MOTOR ASSEMBLY	1	NOT SHOWN:			
15	301705001	GEAR TRAIN ASSEMBLY	1	P100	Ni-Cd Battery Pack (130224028)		
16	660137001	* SCREW (M4 X 12 mm).....	2	P104	Li-ion Battery Pack (130429001, 130429002)		
17	670704001	RETAINING RING (EXTERNAL).....	2	P110	Ni-Cd Charger (1423701, 140237021, 140237023)		
18	210010041	MOTOR & GEAR TRAIN ASSEMBLY (INC. KEY NOS. 14-17).....	1	P113	Ni-Cd/Li-ion Charger (140501001,140501005)		
19	660561001	* SQUARE NUT (M4 X 15 X 10.9).....	4	983000846	P2600 ONLY OPERATOR'S MANUAL (960930102) P2600/P2600A OPERATOR'S MANUAL (960009394)		
20	660126001	* SQUARE NUT (M4 X 2.2 mm).....	5	10-01-09 (REV:03)			

WARNING: Improper repair of a double insulated tool can result in damage to the double insulation system possibly causing electrical shock or electrocution. Any repairs requiring disassembly of your tool requires safety testing and should only be performed by a Ryobi Authorized Service Center. For the service center nearest you call 1-800-860-4050.

* STANDARD HARDWARE ITEM – MAY BE PURCHASED LOCALLY

RYOBI 18 VOLT HEDGE TRIMMER – MODEL NUMBER P2600/P2600A



WIRING DIAGRAM