

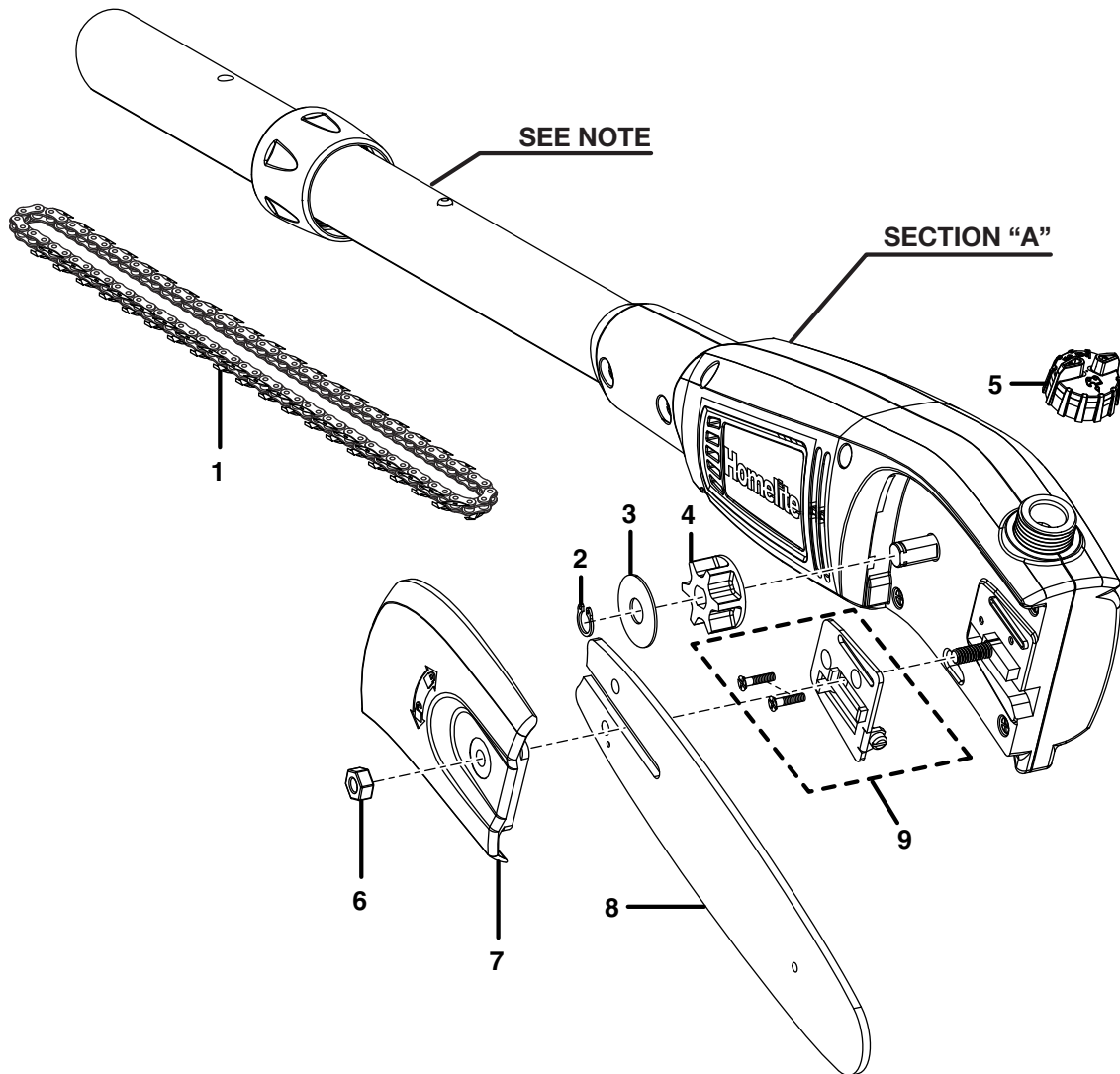
For Parts Call 606-678-9623 or 606-561-4983

**HOMELITE  
ELECTRIC POLE SAW  
MODEL NO. UT43160  
REPAIR SHEET**

[www.mymowerparts.com](http://www.mymowerparts.com)

**HOMELITE ELECTRIC POLE SAW  
MODEL NO. UT43160**

The model number will be found on a plate attached to the engine housing. Always mention the model number in all correspondence regarding your **ELECTRIC POLE SAW** or when ordering replacement parts.



**PARTS LIST**

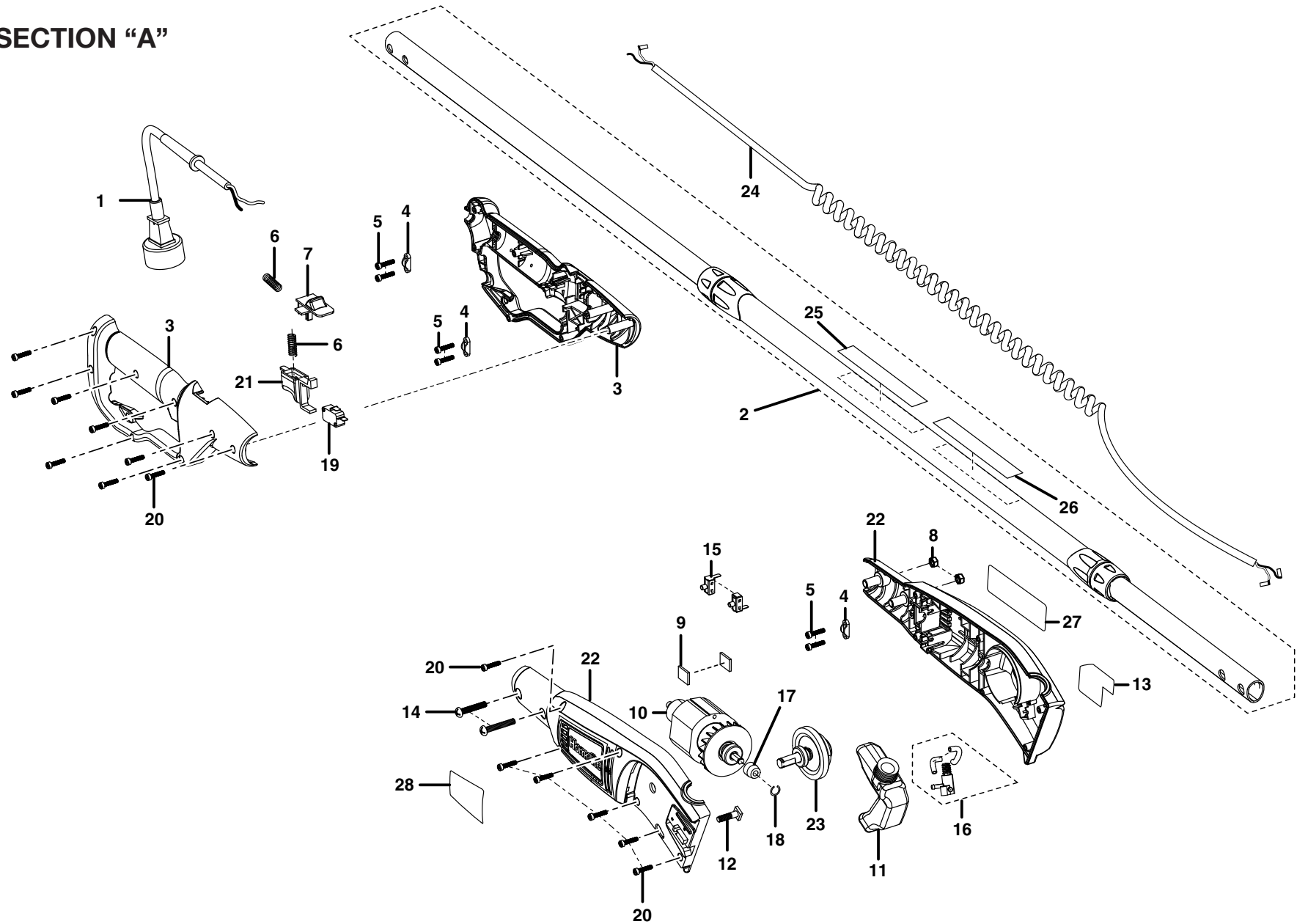
KEY NO.	PART NUMBER	DESCRIPTION	QTY
1	901289001	Chain .....	1
2	3290875G	Retaining Ring .....	1
3	33302102G	Washer .....	1
4	33902102G	Sprocket .....	1
5	31306152G	Oil Cap .....	1
6	32901152G	* Hex Nut (M6) .....	1
7	31308152G	Chain Cover Assembly .....	1
8	310605001	Bar .....	1
9	31307152G	Chain Adjustment Assembly .....	1
	987000228	Operator's Manual .....	1

**NOTE:** The assembly shown represents an important part of the Double Insulated System. To avoid the possibility of alteration or damage to the system, service should be performed by your nearest Homelite authorized service dealer.

\* Standard Hardware Item — May Be Purchased Locally

HOMELITE ELECTRIC POLE SAW - MODEL NUMBER UT43160

SECTION "A"



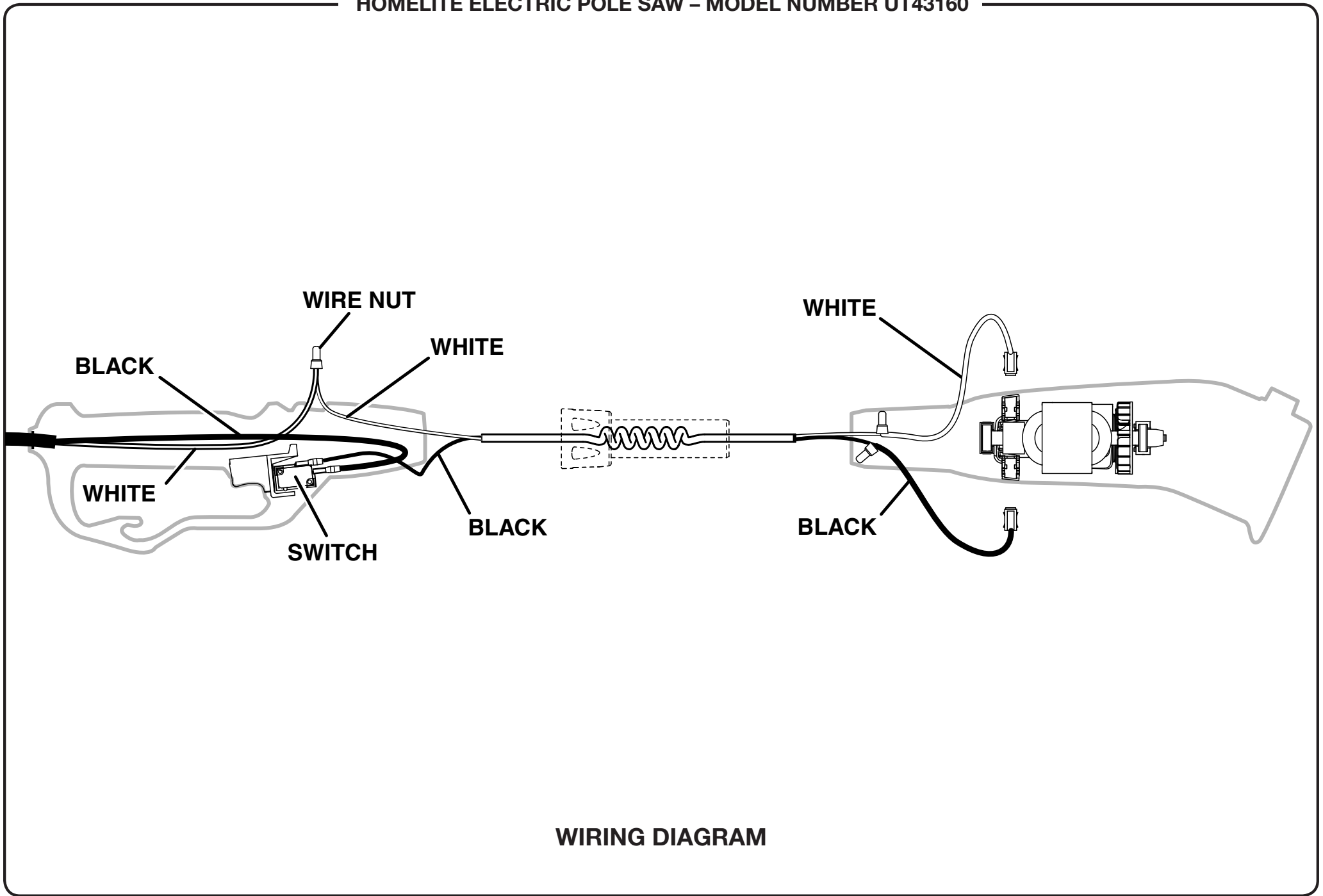
Section "A" represents an important part of the double insulated system of this tool. Any repair to this tool requires dielectric testing to insure customer safety and to comply with company requirements.

**HOMELITE ELECTRIC POLE SAW – MODEL NUMBER UT43160**

**PARTS LIST**

KEY NO.	PART NUMBER	DESCRIPTION	QTY	KEY NO.	PART NUMBER	DESCRIPTION	QTY
1	31305163G	Power Cord .....	1	16	31313152G	Oil Pump Assembly.....	1
2	31309152G	Pole Assembly (Incl. Key Nos. 13 and 25-26).....	1	17	33205152G	Pinion .....	1
3	31302152G	Handle Assembly .....	1	18	32918152G	Retaining Ring.....	1
4	3410801G	Cord Clamp.....	3	19	36303152G	Switch .....	1
5	3220905G	* Screw (M4 x 12 mm) .....	6	20	3220106G	* Screw (M4 x 18 mm) .....	14
6	33402161G	Compression Spring .....	2	21	34118152G	Trigger .....	1
7	34110152G	Lock-off Button .....	1	22	31301152G	Housing Assembly .....	1
8	32907152G	* Lock Nut (M6).....	2	23	31303152G	Output Shaft Assembly .....	1
9	34204152G	Rubber Pad .....	2	24	31310152G	Spring Cord Assembly .....	1
10	31311152G	Motor Assembly .....	1	25	38104152G	Warning Label .....	1
11	31314152G	Oil Tank Assembly .....	1	26	38105152BG	Data Label (French/Spanish).....	1
12	33203152G	Bar Stud (1/4-28).....	1	27	38102152G	Logo Label (Left) .....	1
13	38103152BG	Data Label (English) .....	1	28	38101152G	Logo Label (Right).....	1
14	32906152G	* Screw (M6 x 32 mm) .....	2				
15	36901152G	Brush Assembly .....	2		4-11-08 (REV:04)		

\* Standard Hardware Item – May Be Purchased Locally



WIRING DIAGRAM