

For Parts Call 606-678-9623 or 606-561-4983

**RYOBI**  
**TP30 Gas Pruner**  
**Model No. RY52504/RY52905**  
**REPAIR SHEET**

[www.mymowerparts.com](http://www.mymowerparts.com)

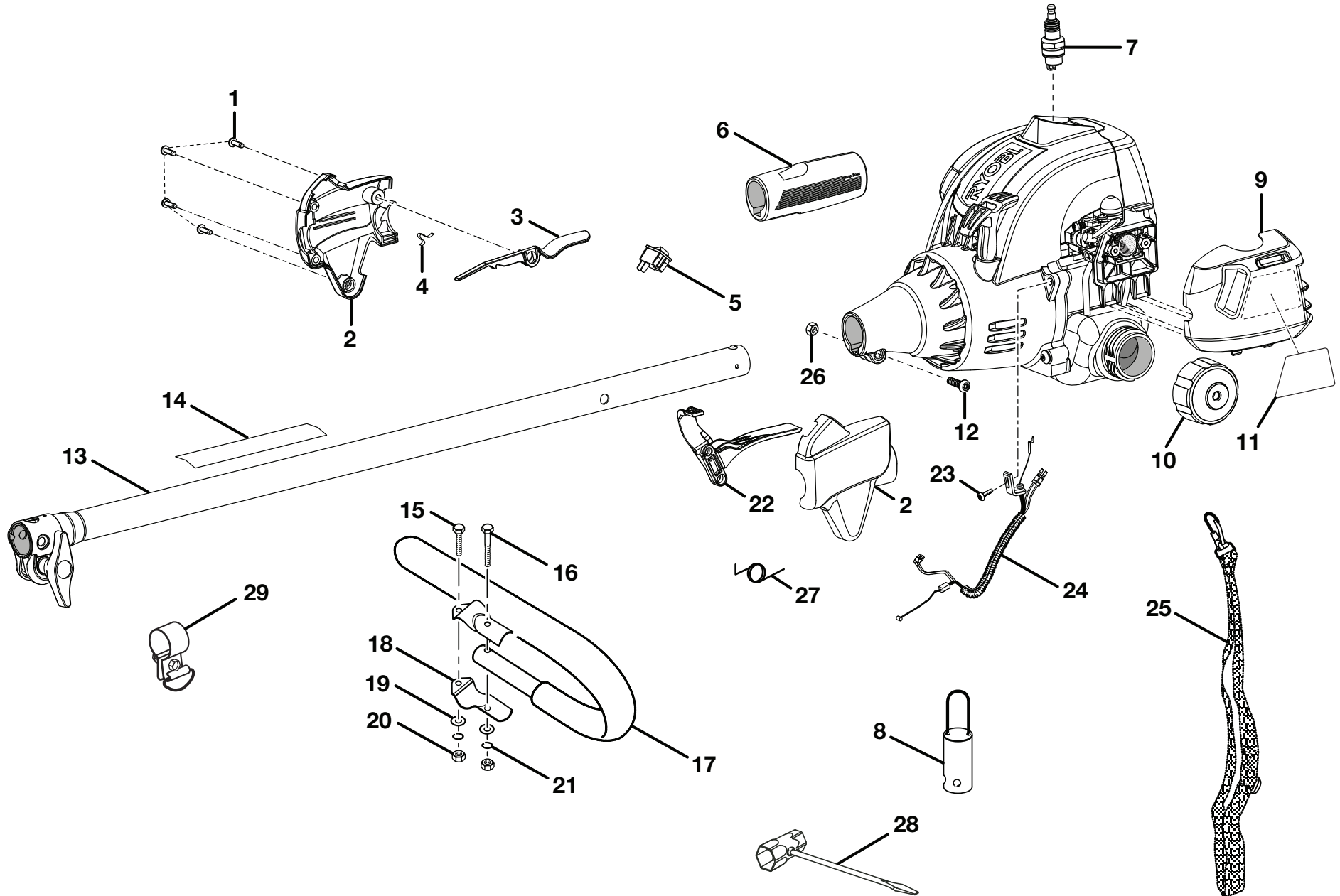


FIGURE A

**RYOBI TP30 GAS PRUNER – MODEL NO. RY52504/R52905**

**PARTS LIST (FIGURE A)**

KEY NO.	PART NUMBER	DESCRIPTION	QTY	KEY NO.	PART NUMBER	DESCRIPTION	QTY
1	660563002	* Screw (M4 x 20 mm) .....	4	17	308046001	“J” Handle w/Grip .....	1
2	308869002	Control Handle Assembly .....	1	18	638014001	Handle Bar Clamp .....	2
3	518695001	Trigger Lock .....	1	19	678013001	Washer .....	2
4	638431001	Strap Hanger .....	1	20	678016001	* Hex Nut (1/4-20) .....	2
5	760700002	Switch (Momentary Contact) .....	1	21	678012001	Lock Washer .....	2
6	570234002	Rear Handle .....	1	22	518696001	Throttle Trigger .....	1
7	870174001	* Spark Plug (Champion RCJ6Y) .....	1	23	660616001	* Screw (10-24 x 7/8 in.) .....	1
8	518019001	Hanger Cap .....	1	24	308439003	Throttle and Lead Assembly (Incl. Key No. 5) .....	1
9	518777001	Air Filter Cover .....	1	25	308487001	Shoulder Harness .....	1
10	300758006	Fuel Cap Assembly .....	1	26	678029002	* Hex Nut (M6) .....	1
11	940686026	Starting Label .....	1	27	690694002	Spring .....	1
12	660634001	* Screw (8-16 x 5/16 in. Torx T.F.) .....	1	28	660881001	Combination Wrench .....	1
13	308470004	Upper Boom Assembly .....	1	29	308224001	Strap Hanger Assembly .....	1
14	940627024	Warning Decal .....	1		987000194	Operator’s Manual (960703003)	
15	660643002	* Short Bolt (1/4-20 x 1 in., Hex Hd.) .....	1		11-21-07		
16	660643001	* Long Bolt (1/4-20 x 1-1/2 in., Hex Hd.) .....	1		(REV:00)		

\* STANDARD HARDWARE ITEM – MAY BE PURCHASED LOCALLY

RYOBI TP30 GAS PRUNER – MODEL NO. RY52504/R52905

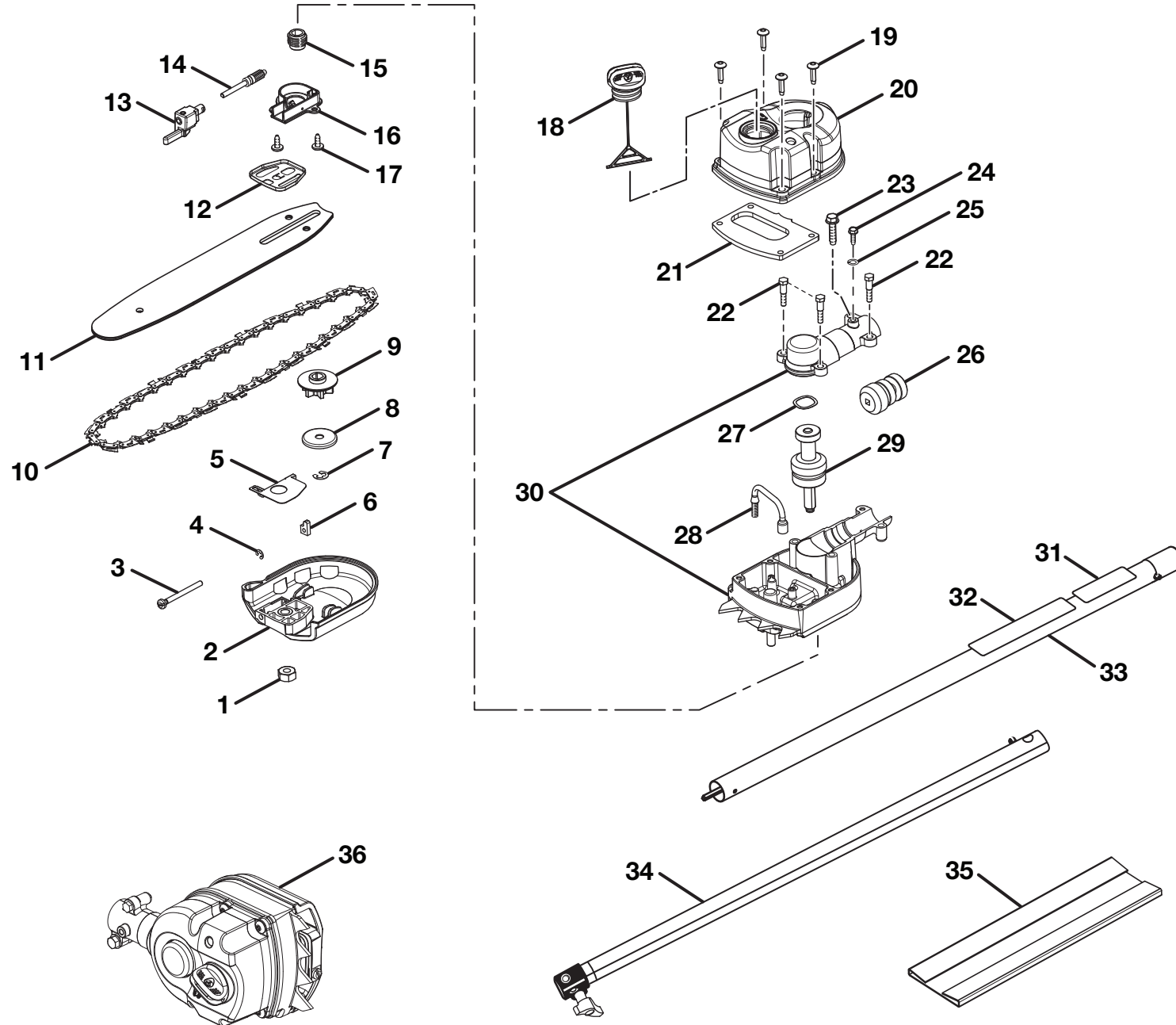


FIGURE B

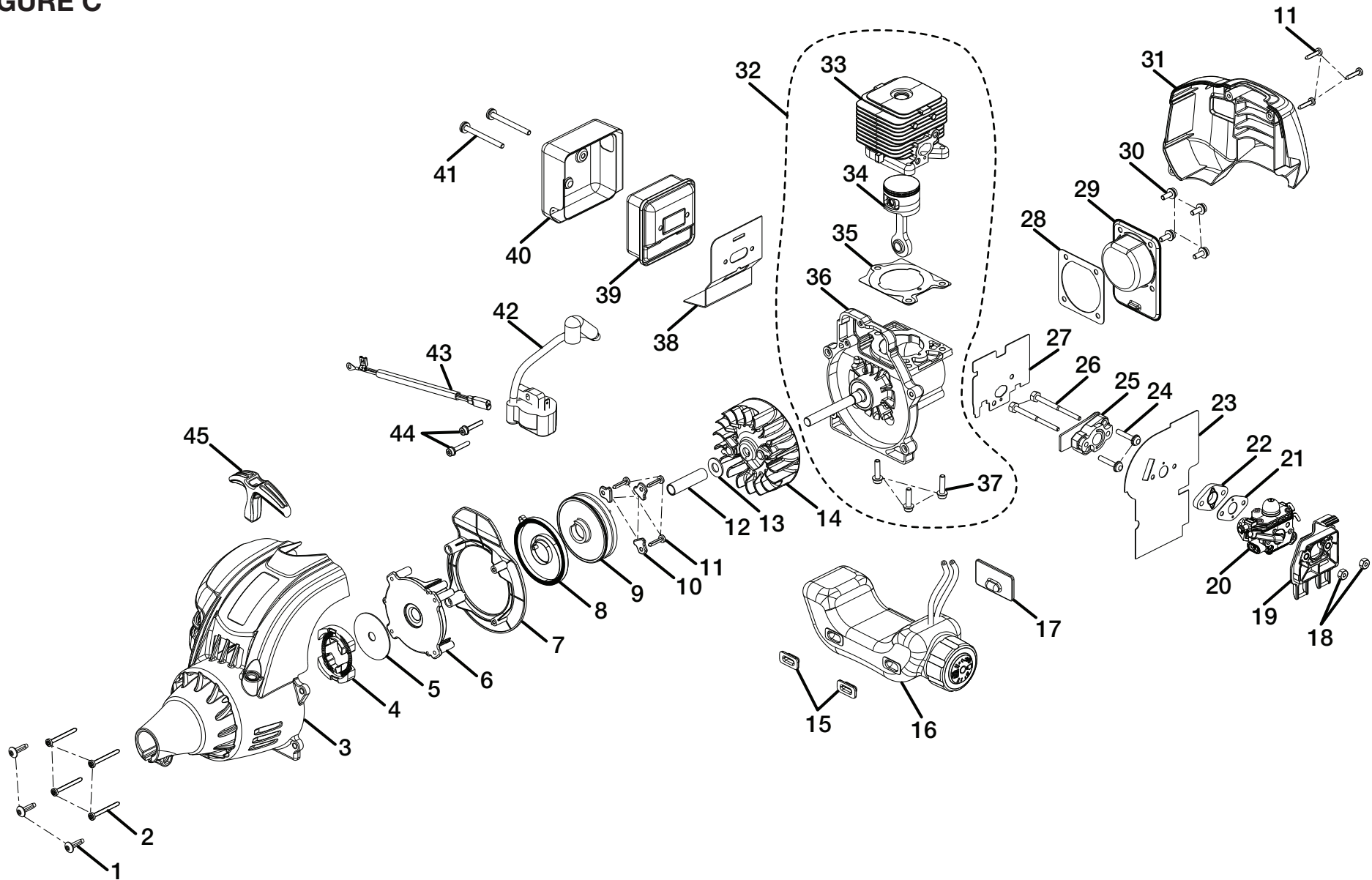
**RYOBI TP30 GAS PRUNER – MODEL NO. RY52504/R52905**

**PARTS LIST (FIGURE B)**

KEY NO.	PART NUMBER	DESCRIPTION	QTY	KEY NO.	PART NUMBER	DESCRIPTION	QTY
1	678355001	* Bar Nut (M8).....	1	20	308512001	Drivecase Cover Assembly .....	1
2	308521001	Bar Clamp Assembly.....	1	21	901374001	Oil Cover Gasket.....	1
3	660936001	Guide Bar Adjustment Screw (M5 x 50 mm).....	1	22	660913001	* Screw (M5 x 25 mm, Shoulder Screw).....	3
4	678353001	* Retaining Ring (4 mm).....	1	23	660935001	* Screw (M5 x 25 mm) .....	1
5	638281001	Guide Bar Plate .....	1	24	660911001	* Screw (M5 x 15 mm) .....	1
6	678356001	Guide Bar Adjusting Pin (M5).....	1	25	678284001	* Spring Washer (M5).....	1
7	678354001	* E-ring (6 mm).....	1	26	308514001	Pinion Gear Assembly .....	1
8	631060001	Cupped Washer .....	1	27	638277001	Wavy Washer.....	1
9	610618001	Sprocket.....	1	28	308513001	Pick-up Tube Assembly .....	1
10	308426002	Chain (3/8, .043, 10).....	1	29	308519001	Output Shaft Assembly .....	1
11	671834006	Guide Bar .....	1	30	308627001	Gear Case and Cover Assembly .....	1
12	638282001	Bar Pad Plate .....	1	31	940627024	Expand-it Label.....	1
13	308523001	Oil Pump Seal Assembly.....	1	32	940654012	Warning Label .....	1
14	308524001	Oil Pinion Gear & Plunger.....	1	33	308425001	Pruner Attachment Shaft Assembly (Incl. Key. Nos. 31 and 32) .....	1
15	610617001	Worm Gear .....	1	34	308010006	Extension Shaft Assembly .....	1
16	308520001	Oil Pump Housing w/Cam Pin Assembly.....	1	35	518405001	Scabbard.....	1
17	660912001	* Screw (M5 x 13 mm) .....	2	36	308400001	Pruner Attachment Assembly (Incl. Key. Nos. 1-9 and 12-30).....	1
18	300949002	Oil Cap With Retainer.....	1				
19	660934001	* Screw (M5 x 18 mm) .....	4				

\* STANDARD HARDWARE ITEM – MAY BE PURCHASED LOCALLY

FIGURE C



**PARTS LIST (FIGURE C)**

KEY NO.	PART NUMBER	DESCRIPTION	QTY	KEY NO.	PART NUMBER	DESCRIPTION	QTY
1	660630002	* Screw (10-24 x 3/4 in.)	3	24	660662001	* Screw (10-24 x 1 in., Pan Hd.)	2
2	661508001	* Screw (M4 x 38 mm)	4	25	518070001	Heat Dam	1
3	308194005	Starter Housing Assembly	1	26	660346002	* Screw (10 x 2-1/2 in.)	2
4	300960002	Clutch Assembly	1	27	901657001	Heat Dam Gasket	1
5	638090001	Washer	1	28	900954001	Crankcase Gasket	1
6	518134001	Starter Retaining	1	29	638031001	Crankcase Cover	1
7	518854001	Baffle Plate	1	30	660664001	* Pan Head Screw (10-24 x 14 mm)	4
8	638033001	Spring & Container	1	31	518775001	Rear Housing	1
9	308386001	Pulley Assembly	1	32	308192008	Short Block Assembly (Inc. Key Nos. 33-37)	1
10	638389001	Pulley Retainer	3	33	640069002	Cylinder	1
11	660466001	* Screw (M4 x 18 mm)	6	34	308023003	Piston w/Rod Assembly	1
12	638284003	Spacer	1	35	900953001	Cylinder Gasket	1
13	650017001	Washer	1	36	308191008	Crankcase Assembly	1
14	308433004	Rotor Assembly	1	37	660342002	* Screw (M5 x 0.8-20 mm)	3
15	570256001	Bumper	2	38	901452005	Muffler Gasket	1
16	308181008	Fuel Tank & Cap Assembly	1	39	309316001	Muffler Assembly	1
17	570549001	Bumper	1	40	638481001	Heat Shield	1
18	678027001	* Lock Nut (10-24)	2	41	660638003	* Screw (10-24 x 2-1/8 in.)	2
19	518766001	Air Filter Base	1	42	308389002	Ignition Module	1
20	308054012	Carburetor Assembly	1	43	308863014	Electrical Wire Assembly	1
21	900994004	Carburetor Gasket	1	44	660660001	* Screw (M4 x 25 mm)	2
22	590456003	Spacer	1	45	511731001	Starter Grip	1
23	900740003	Carburetor Gasket	1				

\* STANDARD HARDWARE ITEM – MAY BE PURCHASED LOCALLY