

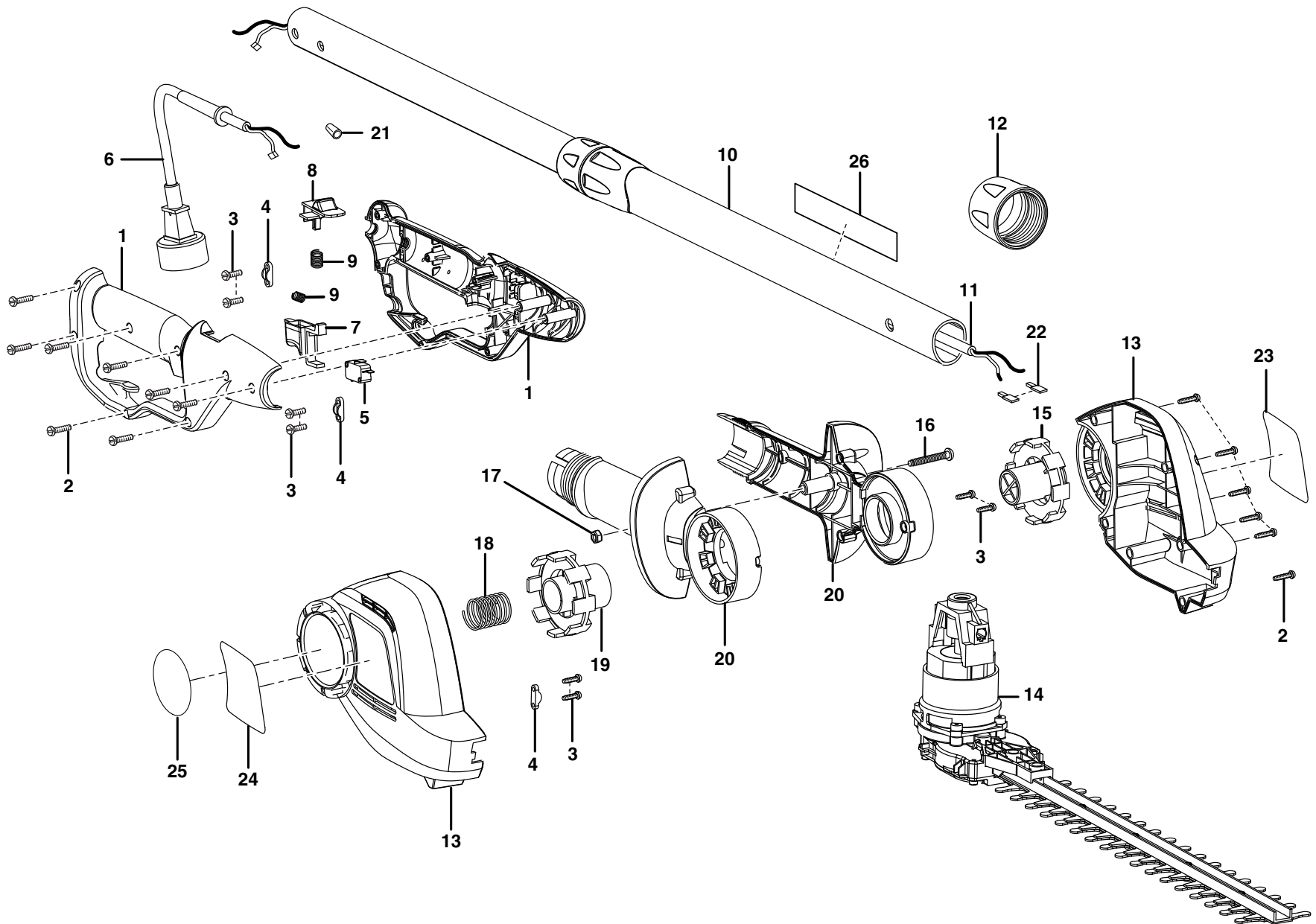
For Parts Call 606-678-9623 or 606-561-4983

**HOMELITE
ELECTRIC POLE HEDGE TRIMMER
MODEL NUMBER UT44160
REPAIR SHEET**

987000-234
2-28-08 (REV:03)

www.mymowerparts.com

HOMELITE UT44160 ELECTRIC POLE HEDGE TRIMMER



The above assembly represents an important part of the Double Insulated System of this tool. Any repair to this tool requires dielectric testing to insure customer safety and to comply with company requirements.

HOMELITE UT44160 ELECTRIC POLE HEDGE TRIMMER

The model number will be found on a plate attached to the engine housing. Always mention the model number in all correspondence regarding your **ELECTRIC POLE HEDGE TRIMMER** or when ordering replacement parts.

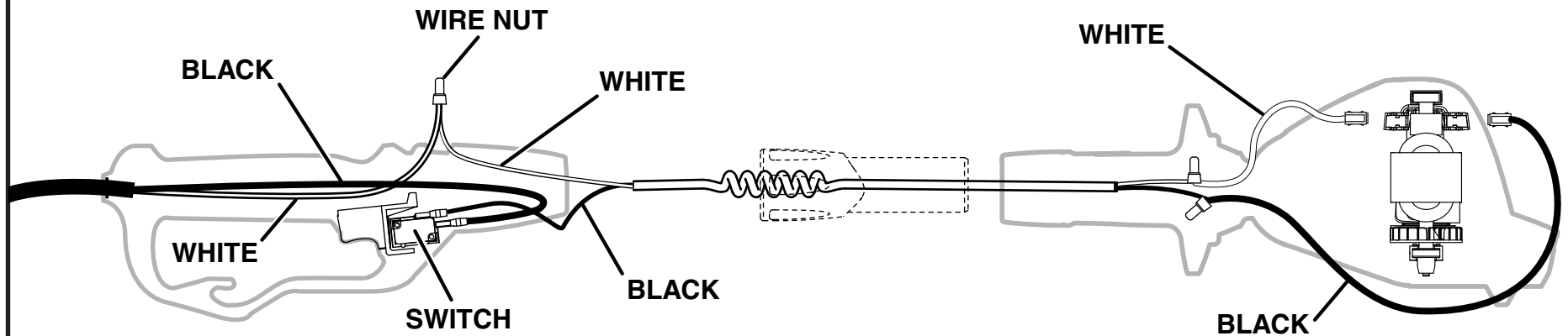
PARTS LIST

KEY NO.	PART NUMBER	DESCRIPTION	QTY
1	31302152G	Handle Assembly.....	1
2	3220505G	* Screw (M4 x 16 mm).....	14
3	3220905G	* Screw (M4 x 12 mm).....	8
4	3410801G	Cord Clamp	3
5	36303152G	Switch.....	1
6	31305163G	Power Cord.....	1
7	34118152G	Switch Trigger.....	1
8	34110152G	Lock Off Button	1
9	33402161G	Compression Spring.....	2
10	31304163G	Pole Assembly (Inc. Part Number 26).....	1
11	31306163G	Spring Cord Assembly.....	1
12	34107163G	Collar	1
13	31301163G	Motor Housing Assembly	1
14	31302163G	Motor w/Blade Assembly	1
15	34103163G	Left Pivot Button.....	1
16	32901163G	* Bolt (M6 x 41 mm)	1
17	32907152G	* Lock Nut (M6)	1
18	33903163G	Compression Spring.....	1
19	34106163G	Right Pivot Button	1
20	31303163G	Pole Housing Assembly.....	1
21	36504161G	Wire Nut.....	1
22	3650135G	Terminal (B).....	2
23	38102163AG	Data Label.....	1
24	38101163G	Logo Label.....	1
25	38103163G	Pivot Label.....	1
26	38104163G	Warning Label.....	1
	987000234	Operator's Manual	

NOTE: The assembly shown represents an important part of the Double Insulated System. To avoid the possibility of alteration or damage to the System, service should be performed by your nearest Homelite authorized service dealer.

* Standard Hardward Item – May Be Purchased Locally

HOMELITE UT44160 ELECTRIC POLE HEDGE TRIMMER



WIRING DIAGRAM