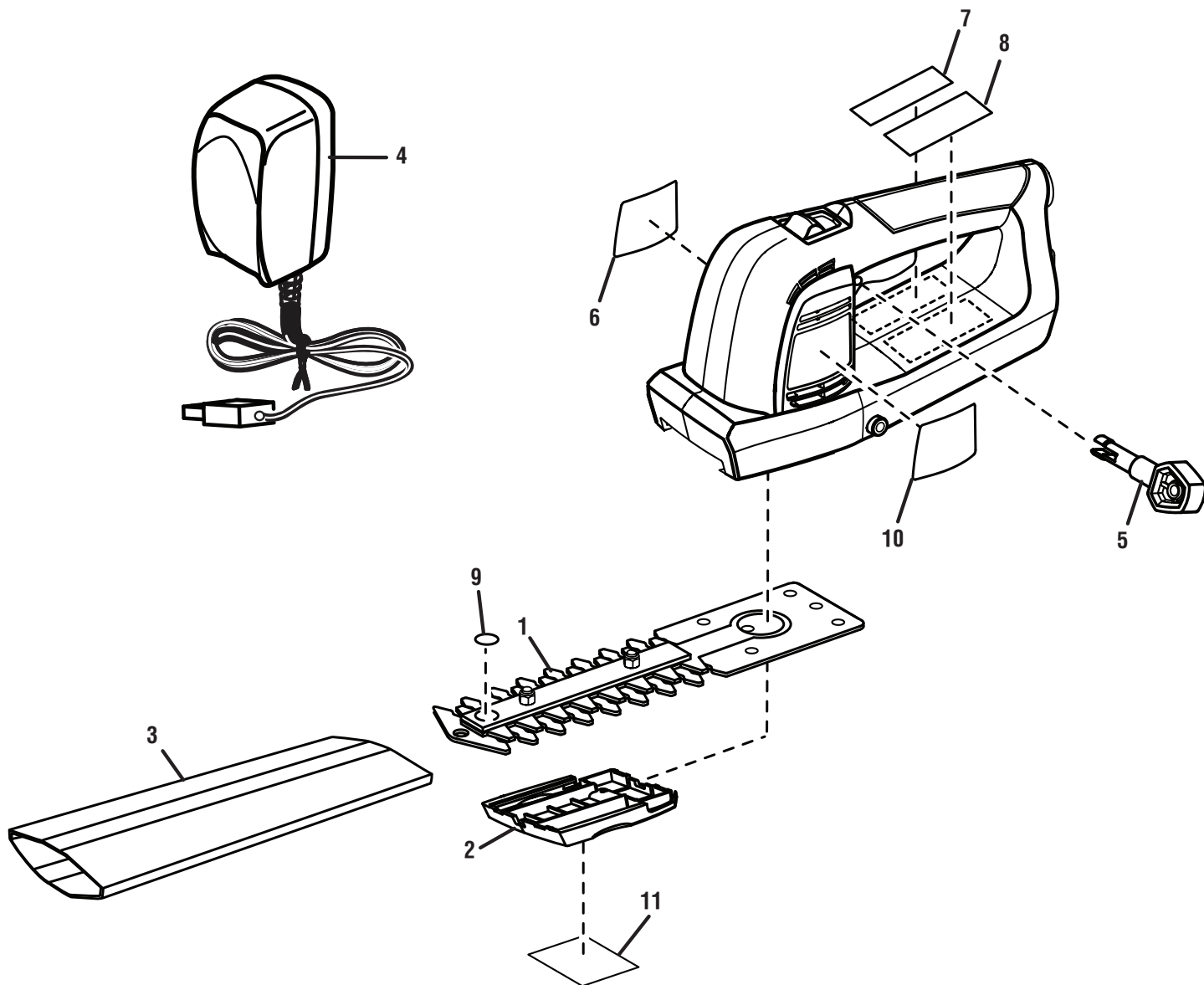


ILLUSTRATED PARTS LIST



| Key No. | Part Number | Description | Qty. |
|---------|--------------|-------------------------------------|------|
| 1 | 31106251G | Shrubber Blade Assembly | 1 |
| 2 | 34106251G | Bottom Cover | 1 |
| 3 | 34109251G | Scabbard | 1 |
| 4 | 36901251G | Charger | 1 |
| 5 | 34112251G | Lock-out Pin | 1 |
| 6 | 099941003901 | Data Label..... | 1 |
| 7 | 099941003902 | No Hands Warning Label..... | 1 |
| 8 | 099941003903 | Icon Strip | 1 |
| 9 | 099941003904 | No Hands Label | 1 |
| 10 | 099941002905 | Logo Label..... | 1 |
| 11 | 099941003905 | Padlock/Lock Pin Warning Label..... | 1 |
| | 987000828 | Operator's Manual (Not Shown) | |