

For Parts Call 606-678-9623 or 606-561-4983



**5,000 Watt Generator  
BM10500G Series  
Replacement Parts List**

**Générateur de 5,000 watts  
Série BM10500G  
Lista de piezas de repuesto**

**Generador 5000 Watts  
Serie BM10500G  
Lista de piezas de repuesto**

**OWT INDUSTRIES, INC.**

P.O. Box 35, Highway 8

Pickens, SC 29671

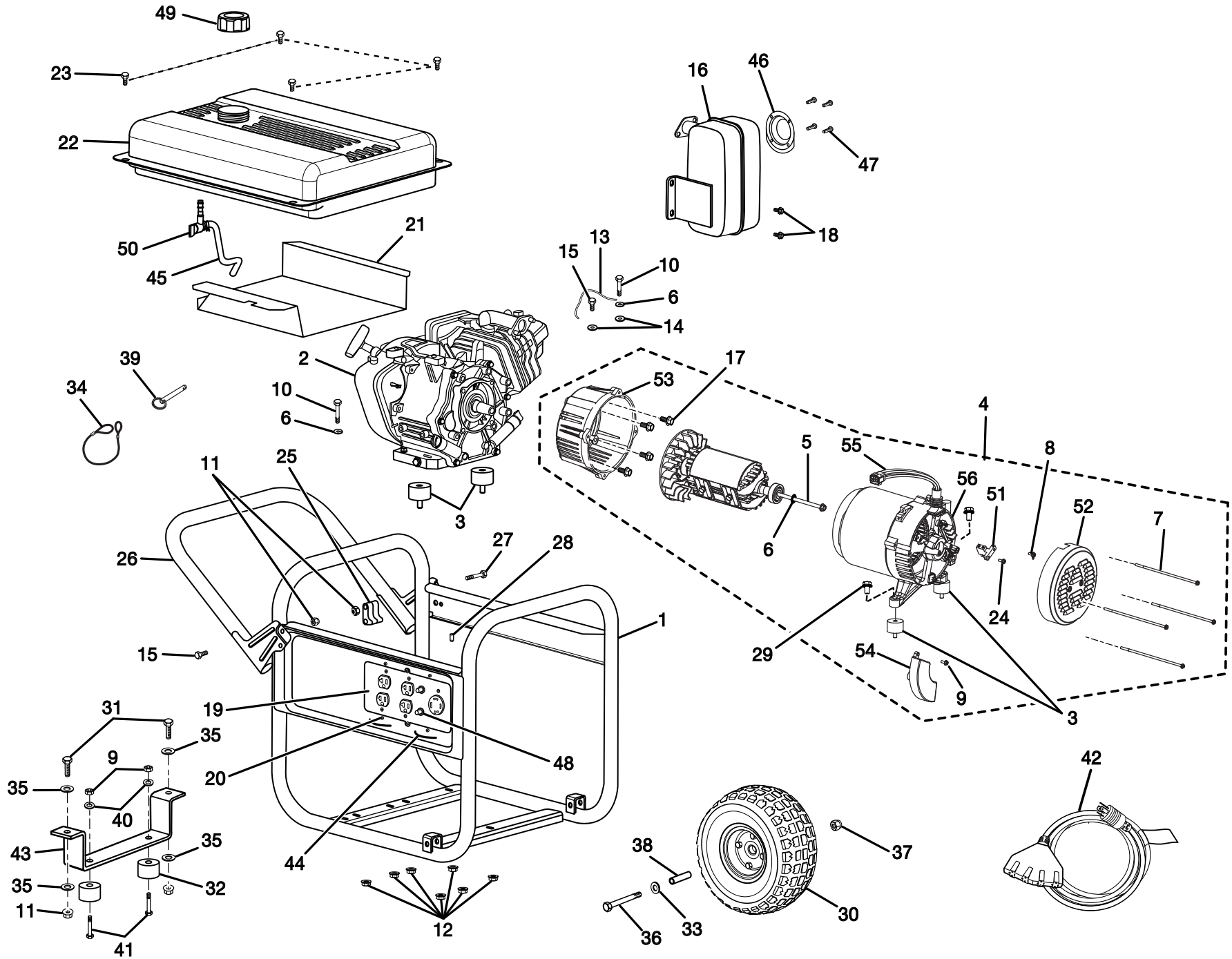
1-800-726-5760

987000-627

11-30-09 (REV:01)

[www.mymowerparts.com](http://www.mymowerparts.com)

BLACK MAX GENERATOR - BM10500G SERIES



## BLACK MAX GENERATOR – BM10500G SERIES

The model number will be found on a plate attached to the engine. Always mention the model number in all correspondence regarding your **GENERATOR** or when ordering replacement parts.

### PARTS LIST

| KEY NO. | PART NUMBER | DESCRIPTION                                                          | QTY. | KEY NO.           | PART NUMBER | DESCRIPTION                                  | QTY. |
|---------|-------------|----------------------------------------------------------------------|------|-------------------|-------------|----------------------------------------------|------|
| 1       | 310220011   | Frame Assembly .....                                                 | 1    | 37                | 678457003   | Lock Nut (3/8-16).....                       | 2    |
| 2       | Note A      | Engine (Subaru OHC) .....                                            | 1    | 38                | 678672002   | Spacer (.38 ID) .....                        | 2    |
| 3       | 570356001   | Isolator .....                                                       | 4    | 39                | 310712001   | Handle Lock Pin .....                        | 1    |
| 4       | 310227016   | Generator Head Assembly<br>(Inc. Key Nos. 7, 9, 24, and 51-54) ..... | 1    | 40                | 638387002   | Washer (1/4 in.).....                        | 2    |
| 5       | 661557009   | Bolt (5/16-24 x 8.5 in., Hex Hd.) .....                              | 1    | 41                | 661503003   | Bolt (1/4-20 x 1-1/2 in.).....               | 2    |
| 6       | 638678002   | Lock Washer (5/16 in.) .....                                         | 3    | 42                | 290426001   | Extension Cord (25 foot, 20 amp).....        | 1    |
| 7       | 660869006   | Bolt (1/4-20 x 6 in., Hex Hd.) .....                                 | 4    | 43                | 638709001   | Frame Support.....                           | 1    |
| 8       | 638703001   | Ground Lug.....                                                      | 1    | 44                | 678655001   | Cord Retainer.....                           | 2    |
| 9       | 661603001   | Bolt, AVR Mounting .....                                             | 1    | 45                | 310725004   | Fuel Line Assembly .....                     | 1    |
| 10      | 660591006   | Bolt (5/16-18 x 1-1/2 in.).....                                      | 2    | 46                | 638147003   | Spark Arrester Screen .....                  | 1    |
| 11      | 678457004   | Lock Nut (5/16-18).....                                              | 4    | 47                | 661306001   | Screw (8-32 x 3/8 in.).....                  | 4    |
| 12      | 678145002   | Flange Nut (5/16-18).....                                            | 7    | 48                | 780350001   | Circuit Breaker (20 amp).....                | 2    |
| 13      | 290404001   | Ground Wire Assembly .....                                           | 1    | 49                | 519709001   | Fuel Cap .....                               | 1    |
| 14      | 638704001   | Washer (5/16 in.) External Star .....                                | 2    | 50                | 519711001   | Fuel Shut Off Valve with Filter .....        | 1    |
| 15      | 661502005   | Bolt (5/16-18 x 3/4 in., Hex. Hd.).....                              | 2    | 51                | 308445002   | Brush Assembly Kit .....                     | 1    |
| 16      | 309322004   | Muffler .....                                                        | 1    | 52                | 678296002   | Brush Cover.....                             | 1    |
| 17      | 660596003   | Bolt (3/8-16 x 3/4 in.) .....                                        | 4    | 53                | 640331002   | Adapter Housing.....                         | 1    |
| 18      | 661557007   | Bolt (5/16-24 x 5/8 in.) .....                                       | 2    | 54                | 290439004   | Automatic Voltage Regulator (5000 Watt)..... | 1    |
| 19      | 678674001   | Wire Panel.....                                                      | 1    | 55                | 290431006   | Wiring Harness .....                         | 1    |
| 20      | 661305002   | Screw (6-19 x 1/2 in.).....                                          | 4    | 56                | 678289008   | Bearing Support .....                        | 1    |
| 21      | 638497004   | Heat Shield .....                                                    | 1    | <b>Not Shown:</b> |             |                                              |      |
| 22      | 310711031   | Fuel Tank Assembly .....                                             | 1    |                   | 940678093   | Data Label.....                              | 1    |
| 23      | 660597003   | Screw (#10 x 1 in.) .....                                            | 4    |                   | 940819002   | Cord Warning Label.....                      | 1    |
| 24      | 661603002   | Bolt, Mounting Brush Assembly .....                                  | 1    |                   | 961030005   | Caution/Danger Hang Tag .....                | 1    |
| 25      | 519789001   | Handle Lock Bracket .....                                            | 1    |                   | 940707008   | Large Danger Label .....                     | 1    |
| 26      | 310224010   | Handle Assembly.....                                                 | 1    |                   | 940974007   | Risk of Fire Danger Label .....              | 1    |
| 27      | 660591004   | Bolt (5/16-18 x 2-1/4 in.).....                                      | 1    |                   | 940513005   | Ground Label.....                            | 1    |
| 28      | 570364001   | Rubber Cap .....                                                     | 1    |                   | 940513008   | Ground Warning Label.....                    | 1    |
| 29      | 660591006   | Bolt (5/16-18 x 1-1/2 in., Hex Hd.).....                             | 4    |                   | 940680021   | Hot Surface Label.....                       | 1    |
| 30      | 310223002   | Wheel .....                                                          | 2    |                   | 940514005   | Lock Pin Label .....                         | 1    |
| 31      | 660599001   | Bolt (5/16-18 x 1 in.) .....                                         | 2    |                   | 940705045   | Logo Label.....                              | 1    |
| 32      | 638706001   | Rubber Foot.....                                                     | 2    |                   | 940708007   | Engine Lubricant Label.....                  | 1    |
| 33      | 638386003   | Washer (3/8 in.).....                                                | 2    |                   | 940617031   | Quick Start Label.....                       | 1    |
| 34      | 310715001   | Lanyard.....                                                         | 1    |                   | 940617032   | Starting Label .....                         | 1    |
| 35      | 638675004   | Washer (5/16 in.).....                                               | 4    |                   | 900906013   | Lubricant (SAE 10W30).....                   | 1    |
| 36      | 661558002   | Bolt (3/8-16 x 4-1/4 in.).....                                       | 2    |                   | 987000626   | Operator's Manual .....                      | 1    |



**WARNING:**

To avoid possible personal injury or equipment damage, a registered electrician or an authorized service representative should perform installation and all service. Under no circumstances should an unqualified person attempt to wire into a utility circuit.

**NOTE A:** Techtronic Industries North America, Inc., will not provide engines as replacement parts. Engines are covered through the engine manufacturer's warranty. Consult the accompanying engine manual or contact our service department for assistance.



## GENERADOR DE BLACK MAX – SERIE BM10500G

El número de modelo se encuentra en motor. Siempre mencione el número del modelo en toda correspondencia relacionada con el **GÉNÉRATEUR** o al hacer pedidos de piezas de repuesto.

### LISTA DE PIEZAS

| NÚM. REF. | NÚM. PIEZA | DESCRIPCIÓN                                                                             | CANT. | NÚM. REF.             | NÚM. PIEZA                                      | DESCRIPCIÓN                                    | CANT. |
|-----------|------------|-----------------------------------------------------------------------------------------|-------|-----------------------|-------------------------------------------------|------------------------------------------------|-------|
| 1         | 310220011  | Conj. de la armazón.....                                                                | 1     | 37                    | 578457003                                       | Tuerca de bloqueo (3/8-16).....                | 2     |
| 2         | Nota A     | Motor (Subaru OHC).....                                                                 | 1     | 38                    | 678672002                                       | Espaciador (.38 ID).....                       | 2     |
| 3         | 570356001  | Aislador.....                                                                           | 4     | 39                    | 310712001                                       | Pasador de seguro del mango.....               | 1     |
| 4         | 310227016  | Conjunto de cabezal de su generador (incl. pzas. núms. ref. 7, 9, 24, 51, 53 y 54)..... | 1     | 40                    | 638387002                                       | Arandela (1/4 pulg.).....                      | 2     |
| 5         | 661557009  | Perno (5/16-24 x 8.5 pulg., cabeza hex.).....                                           | 1     | 41                    | 661503003                                       | Perno (1/4-20 x 1-1/2 pulg.).....              | 2     |
| 6         | 638678002  | Arandela de seguridad (5/16 pulg.).....                                                 | 3     | 42                    | 290426001                                       | Cordón de extensión (25 pie, 20A).....         | 1     |
| 7         | 660869006  | Perno (1/4-20 x 6 pulg., cabeza hex.).....                                              | 4     | 43                    | 638709001                                       | Soporte del bastidor.....                      | 1     |
| 8         | 638703001  | Terminal de Tierra.....                                                                 | 1     | 44                    | 678655001                                       | Retén para el cordón.....                      | 2     |
| 9         | 661603001  | Boulon de montage AVR.....                                                              | 1     | 45                    | 310725004                                       | Conj. de conductos de combustible.....         | 1     |
| 10        | 660591006  | Perno (5/16-18 x 1-1/2 pulg.).....                                                      | 2     | 46                    | 638147003                                       | Pantalla parachispas.....                      | 1     |
| 11        | 678457004  | Tuerca de bloqueo (5/16-18).....                                                        | 4     | 47                    | 661306001                                       | Tornillo (8-32 x 3/8 pulg.).....               | 4     |
| 12        | 678145002  | Tuerca de brida (5/16-18).....                                                          | 7     | 48                    | 780350001                                       | Cortacircuitos (20 amp).....                   | 2     |
| 13        | 290404001  | punteo rectificador câble de tierra.....                                                | 1     | 49                    | 519709001                                       | Tapa de combustible.....                       | 1     |
| 14        | 638704001  | Arandela (5/16 pulg.) estrella.....                                                     | 2     | 50                    | 519711001                                       | Válvula combustible con filtro.....            | 1     |
| 15        | 661502005  | Perno (5/16-18 x 3/4 pulg., cabeza hex.).....                                           | 2     | 51                    | 308445002                                       | Kit del conjunto de la escobilla.....          | 1     |
| 16        | 309322004  | Silenciador.....                                                                        | 1     | 52                    | 678296002                                       | Tapa de la escobilla.....                      | 1     |
| 17        | 660596003  | Perno (3/8-16 x 3/4 pulg.).....                                                         | 4     | 53                    | 640331002                                       | Cubierta del adaptador.....                    | 1     |
| 18        | 661557007  | Perno (5/16-24 x 5/8 pulg.).....                                                        | 2     | 54                    | 290439004                                       | Regulador automático del voltaje (5000 W)..... | 1     |
| 19        | 678674001  | Panel de cabeado completo.....                                                          | 1     | 55                    | 290431006                                       | Alambre arcos.....                             | 1     |
| 20        | 661305002  | Tornillo (6-19 x 1/2 pulg.).....                                                        | 4     | 56                    | 678289008                                       | Soporte del cojinete.....                      | 1     |
| 21        | 638497004  | Protección del calor.....                                                               | 1     | <b>No se ilustra:</b> |                                                 |                                                |       |
| 22        | 310711031  | Conjunto tanque de combustible.....                                                     | 1     | 940678093             | Etiqueta de datos.....                          | 1                                              |       |
| 23        | 660597003  | Tornillo (#10 x 1 pulg.).....                                                           | 4     | 940819002             | Etiqueta del cordón.....                        | 1                                              |       |
| 24        | 661603002  | Perno de montage, conj. de la escobilla.....                                            | 1     | 961030005             | Etiqueta colgada del precaución/peligro.....    | 1                                              |       |
| 25        | 519789001  | Abrazadera de seguro del mango.....                                                     | 1     | 940707008             | Etiqueta grande de peligro.....                 | 1                                              |       |
| 26        | 310224010  | Mango.....                                                                              | 1     | 940974007             | Etiqueta de peligro del riesgo de incendio..... | 1                                              |       |
| 27        | 660591004  | Perno (5/16-18 x 2-1/4 pulg.).....                                                      | 1     | 940513005             | Etiqueta de tierra.....                         | 1                                              |       |
| 28        | 570364001  | Tapa de goma.....                                                                       | 1     | 940513008             | Etiqueta de advertencia a tierra.....           | 1                                              |       |
| 29        | 660591006  | Perno (5/16-18 x 1-1/2 pulg., cabeza hex.).....                                         | 4     | 940680021             | Etiqueta superficial caliente.....              | 1                                              |       |
| 30        | 310223002  | Rueda.....                                                                              | 2     | 940514005             | Etiqueta de pasador de sujeción.....            | 1                                              |       |
| 31        | 660599001  | Perno (5/16-18 x 1 pulg.).....                                                          | 2     | 940705045             | Etiqueta logotipo.....                          | 1                                              |       |
| 32        | 638706001  | Pie de goma.....                                                                        | 2     | 940708007             | Etiqueta de lubricante para motor.....          | 1                                              |       |
| 33        | 638386003  | Arandela (3/8 pulg.).....                                                               | 2     | 940617031             | Etiqueta de arranque rapido.....                | 1                                              |       |
| 34        | 310715001  | Correa.....                                                                             | 1     | 940617032             | Etiqueta de arranque.....                       | 1                                              |       |
| 35        | 638675004  | Arandela (5/16 pulg.).....                                                              | 4     | 900906013             | Lubricante (SAE 10W30).....                     | 1                                              |       |
| 36        | 661558002  | Perno (3/8-16 x 4-1/4 pulg.).....                                                       | 2     | 987000626             | Manual del operador (901606006).....            | 1                                              |       |

**NOTA A:** Techtronic Industries North America, no proporcionará los motores como repuestos. Los motores están cubiertos por medio de la garantía del fabricante del motor. Consulte el manual adjunto del motor o comuníquese con nuestro departamento de servicio para recibir ayuda al respecto.



**ADVERTENCIA:**

Para evitar posibles lesiones físicas o daños materiales, es necesario que la instalación y todo el servicio sea realizado por un electricista matriculado o representante de servicio autorizado. Bajo ninguna circunstancia debe permitirse que una persona que no está capacitada trate de manipular cables dentro del circuito de servicio eléctrico.