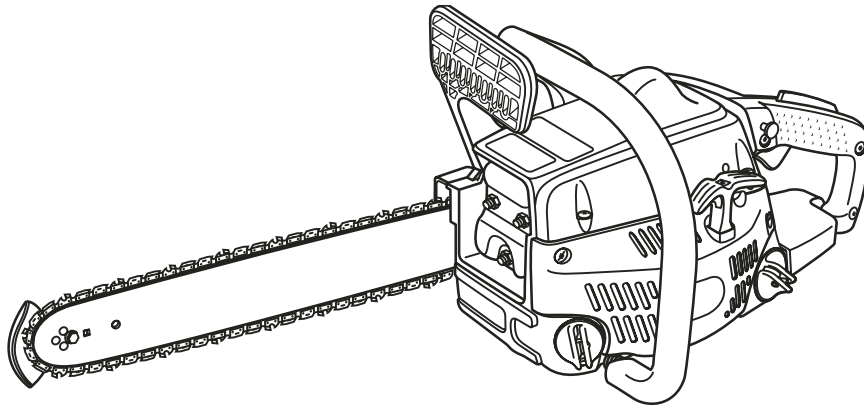


Homelite®

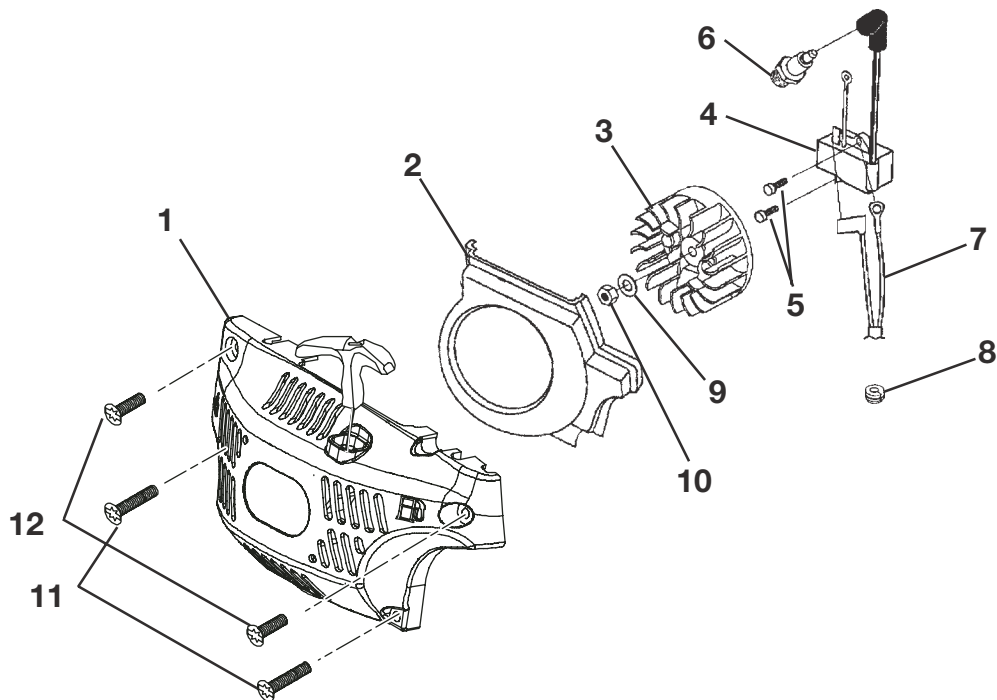
PARTS LIST



MODEL

33cc – 16 in. UT10530A

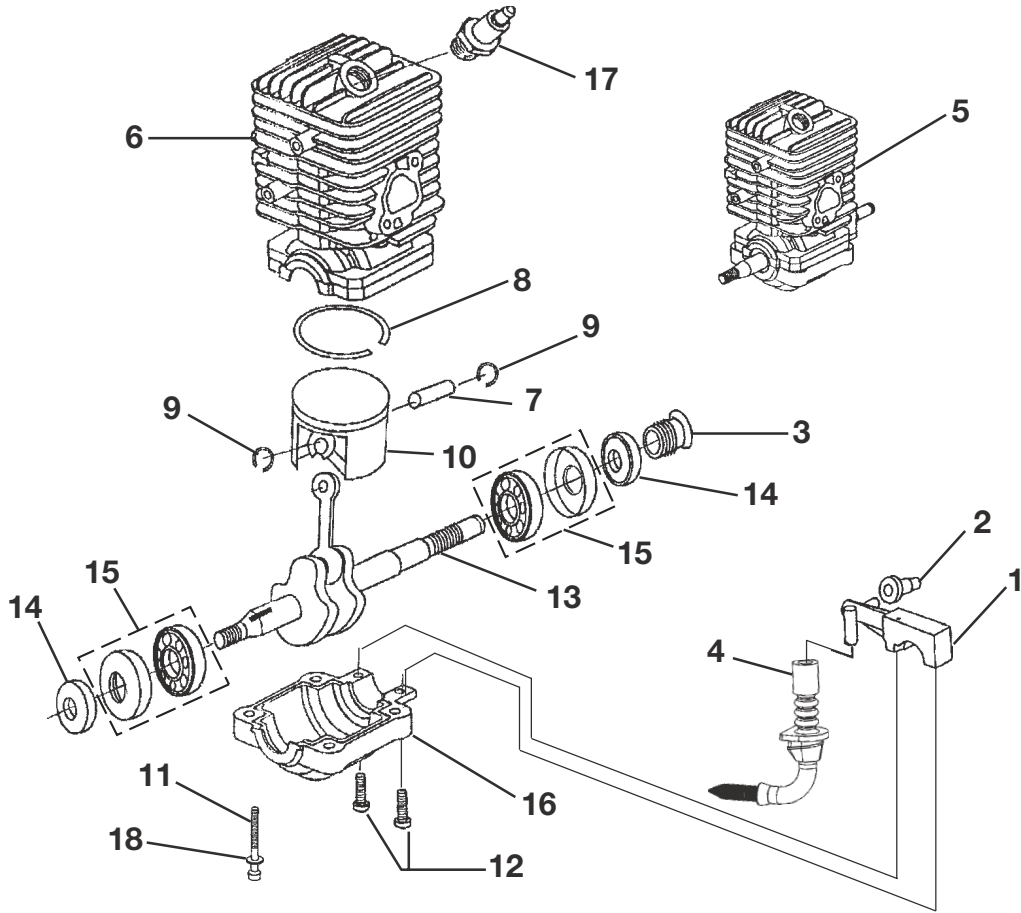
STARTER - IGNITION



NO.	PART NO.	DESCRIPTION	QTY.
1	•300982011	Starter Cover Assembly	1
2	511727001	Baffle, Fan Housing	1
3	300952001	Rotor & Starter Pawl	1
4	•300953001	Ignition Kit (33cc models)	1
5	660639001	Screw, Thread Form (8-32 x 5/8")	2
6	870170001	Spark Plug	1
7	290195002	Ignition Switch Harness	1
8	570227001	Grommet, Wire Harness (Split)	1
9	631049001	Washer, Flat	1
10	678123001	Nut, Jam	1
11	660637001	Screw, Truss Hd., Plastite (10-14 x 7/8")	2
12	660632001	Screw, Truss Hd., Plastite (10-14 x 5/8")	2

ITEM NO.	TORQUE SPECS.		REQUIRED LOCTITE
	In.-Lbs.	Nm	
5	30-40	3.4-4.5	242 Blue
6	120-180	13.6-20.3	
10	100-150	11.3-16.9	
11	30-40	3.4-4.5	
12	30-40	3.4-4.5	

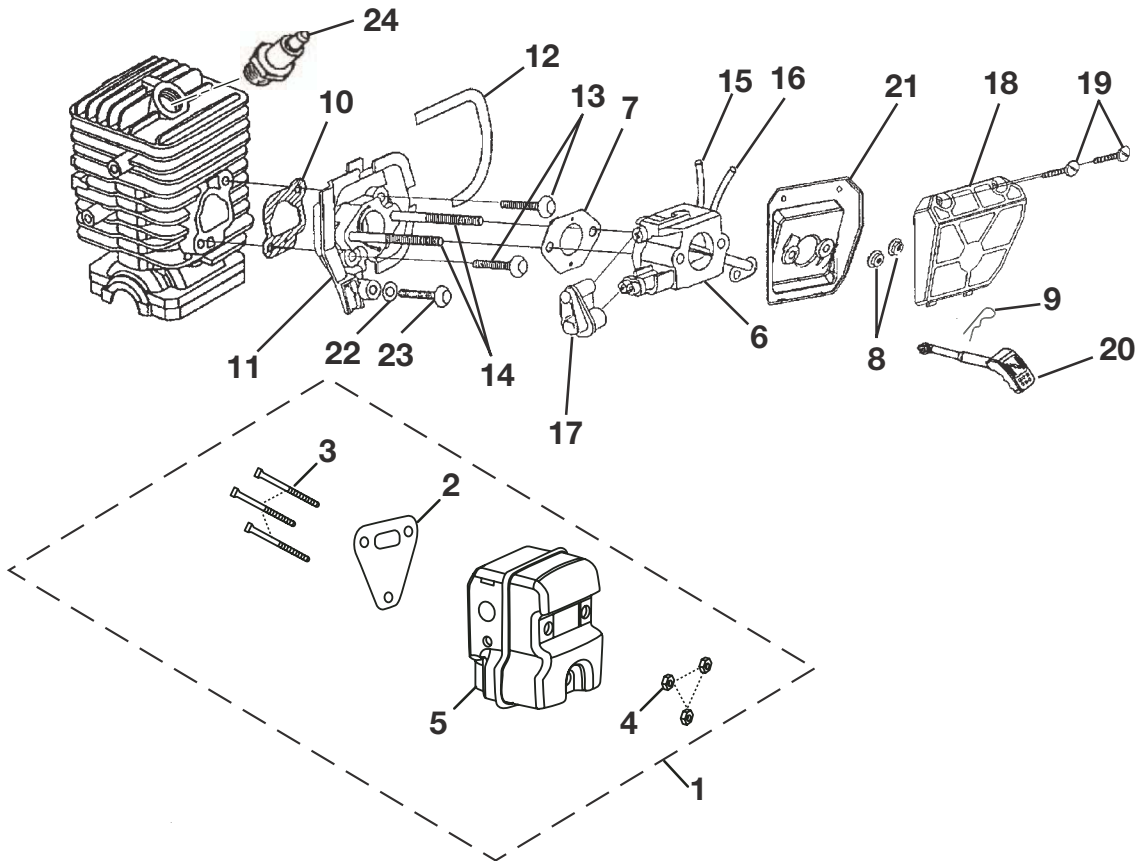
ENGINE INTERNAL - OIL PUMP



NO.	PART NO.	DESCRIPTION	QTY.
1	•300945002	Oil Pump Kit	1
2	570226001	Grommet, Oil Outlet	1
3	T610389001	Left Hand Worm	1
4	300950001	Oil Intake Tube w/Filter	1
5	•300984002	Short Block, Complete (33cc)	1
6	•640819015	Cylinder Kit (33cc)	1
	900848002	Gasket, Muffler (Not Shown)	1
	900842001	Gasket, Heat Dam (Not Shown)	1
	300939004	Gasket, Carburetor (Not Shown)	1
7	•620277001	Piston Pin	1
8	690161005	Piston Ring	1
9	671082001	Ring, Retaining	2
10	640995001	Piston	1
11	660622001	Screw, Cap-Socket Hd. (10-24 x 2")	4
12	660627001	Screw, Pan Hd., (8-32 x 5/8")	2
13	300943003	Crankshaft & Rod Assembly	1
14	570220001	Shaft Seal	2
15	308007001	Bearing & Rubber Case	2
16	640818001	Lower Crankcase	1
17	870170001	Spark Plug	1
18	671080001	Washer	4

ITEM NO.	TORQUE SPECS.		REQUIRED LOCTITE
	In.-Lbs.	Nm	
11	65-75	7.3-8.5	262 Red
12	15-20	1.7-2.3	
17	120-180	13.6-20.3	

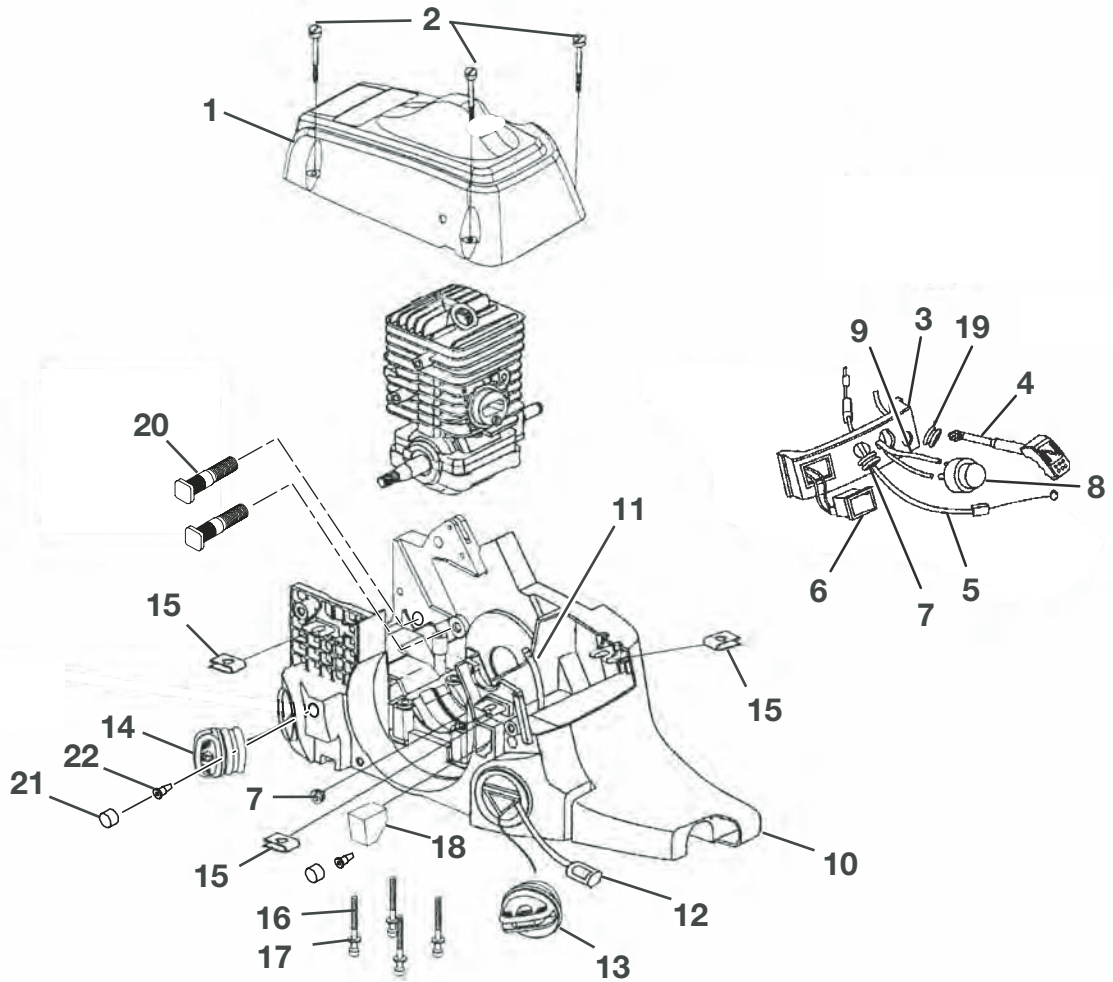
CARBURETOR - MUFFLER - AIR FILTER



NO.	PART NO.	DESCRIPTION	QTY.
1	300993006	Exhaust Assembly	1
2	900848002	Muffler Gasket	1
3	660626001	Screw-Square Hd.	3
4	671079001	Nut-Locking Hex (10-32)	3
5	308071001	Muffler	1
6	300939004	Carburetor Assembly	1
7	900843001	Carburetor Gasket	1
8	678033001	Flange Nut (10-24)	2
9	631034001	Spring Clip (Choke Rod)	1
10	900842001	Gasket, Heat Dam	1
11	511706001	Carburetor Spacer	1
12	900850001	Seal, Heat Dam	1
13	660616002	Screw, Truss Hd. Tapitite (10-24 x 7/8")	2
14	660638001	Screw, Carburetor	2
15	570247003	Fuel Line (Tank to Carburetor 8 1/2")	1
16	570247001	Fuel Line (Carburetor to Purge Bulb 4")	1
17	511705001	Carburetor Grommet	1
18	511708001	Air Filter Cover	1
19	660617001	Screw-Slotted Pan Hd. (8-16 x 5/8")	2
20	511709001	Rod, Choke	1
21	511707001	Air Filter Plate	1
22	671072001	Flat Washer	1
23	660618001	Screw (10-14 x 1/2 in.)	1
24	870170001	Spark Plug	1

ITEM NO.	TORQUE SPECS.		REQUIRED LOCTITE
	In.-Lbs.	Nm	
4	50-60	5.6-6.7	
9	15-20	1.7-2.3	
11	30-40	3.4-4.5	
16	45-55	5.0-6.2	Z62 Red

ENGINE HOUSING - FUEL TANK - OIL TANK

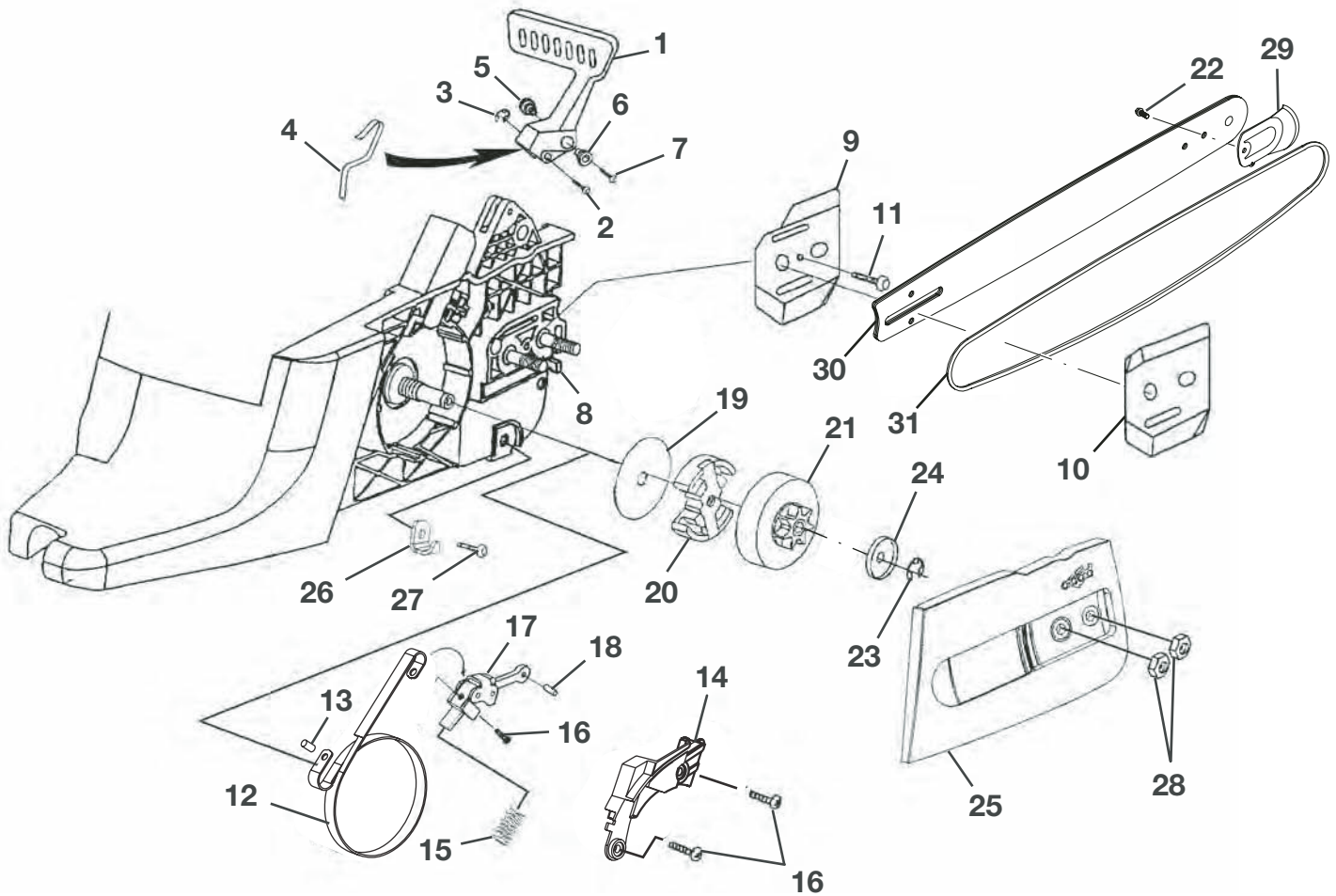


NO.	PART NO.	DESCRIPTION	QTY.
1	511726001	Cylinder Cover	1
2	660636001	Screw-slotted Pan Head	3
3	511719001	Control Panel	1
4	511709001	Choke Rod	1
5	900845001	Throttle Cable	1
6	760338001	Rocker Switch	1
7	570227001	Split Grommet	2
8	300780001	Primer Bulb	1
9	570247002	Rubber Tubing (5-1/2 in.)	1
10	300951001	Chassis Assembly	1
11	570247003	Rubber Tubing (8-1/2 in.)	1
12	300759003	Fuel Filter	1
13	300948001	Fuel Cap, w/Retainer	1
14	300949001	Oil Cap, w/Retainer	1
15	671077001	Speed Nut (U-Type)	3
16	660622001	Screw, (10-24 x 2 in.)	4
17	671080001	Washer	4
18	900844001	Pre Filter	1

NO.	PART NO.	DESCRIPTION	QTY.
19	570219001	Grommet	1
20	660628001	Guide Bar Bolt	2
21	671088001	Element	2
22	560955001	Duck Bill Valve	2
[940299389	Chain Brake Decal	1
	940299425	Safety Decal	1
	940299379	D/C Cover Decal	1
	940299372	Starter Housing Decal	1
	940299374	* Kick Back Decal	1
	940299387	Help / Start Decal	1

ITEM NO.	TORQUE SPECS.		REQUIRED LOCTITE
	In.-Lbs.	Nm	
2	15-25	1.7-2.8	
16	65-75	7.3-8.5	262 Red

CLUTCH - CHAIN BRAKE - DRIVE CASE COVER

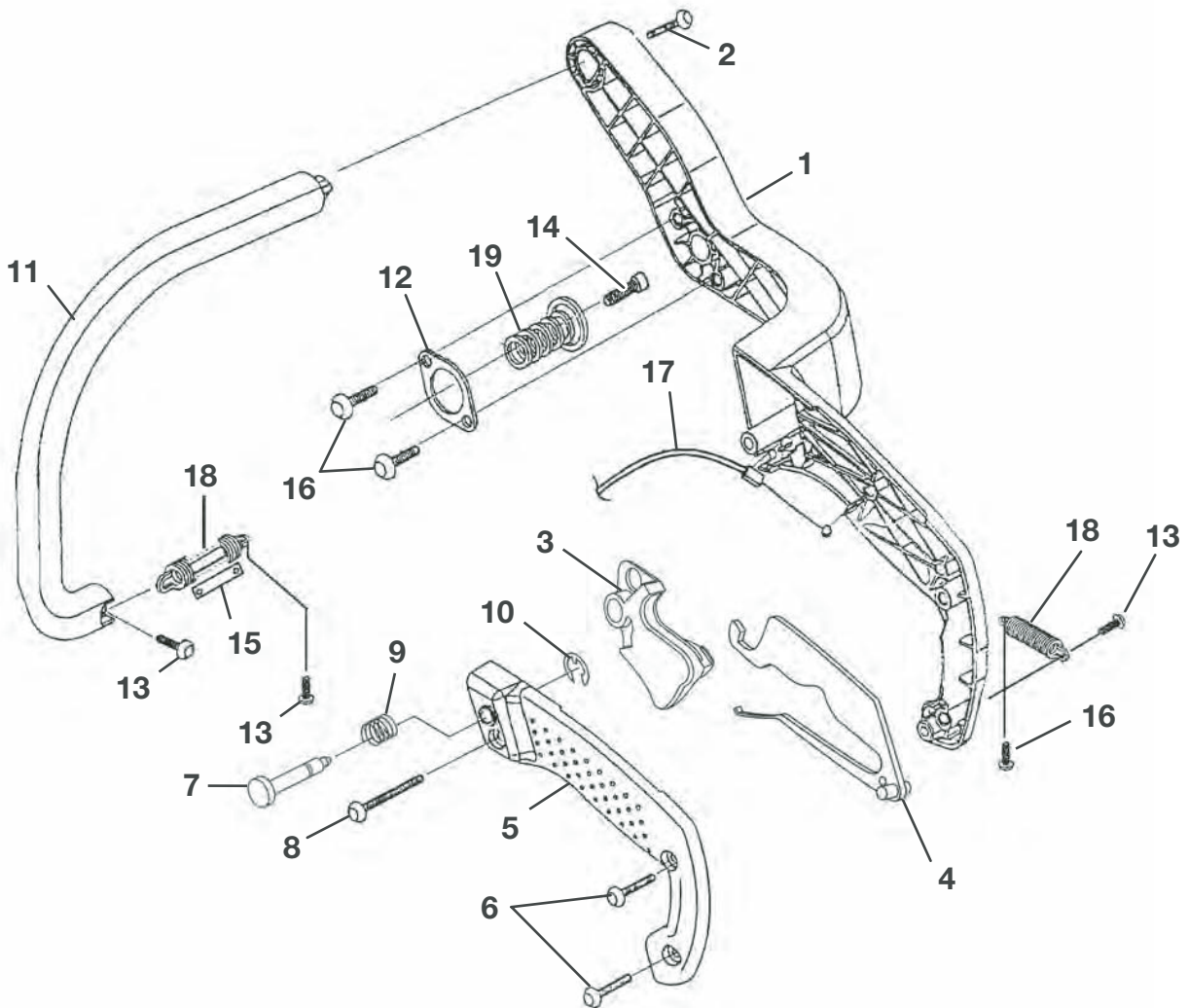


NO.	PART NO.	DESCRIPTION	QTY.
1	511723010	Hand Guard	1
2	620282001	Hand Guard Actuating Pin	1
3	671075001	Retaining Ring	1
4	631052001	Hand Guard Spring	1
5	671097001	Pivot, L.H.	1
6	671096001	Pivot, R.H.	1
7	660635001	Screw (8-32 x 5/8 in.)	1
8	308116001	Adjust Screw Assembly	1
9	631036001	Guide Bar Plate	1
10	631038001	Guide Bar Plate	1
11	T660619001	Screw (6-19 x 1/2 in.)	1
12	631063001	Brake Band	1
13	671095001	Roll Pin	1
14	511720001	Chain Brake Cover	1
15	678107001	Compression Spring	1
16	660634001	Screw (8-16 x 5/16 in.)	3
17	300954001	Chain Brake Link Assembly	1
18	671099001	Roll Pin	1
19	631061001	Thrust Washer	1
20	300960001	Clutch & Hardware	1
21	300958001	Drum Sprocket and Bearing Assembly (.375 Pitch)	1

NO.	PART NO.	DESCRIPTION	QTY.
22	660640001	Screw-Safety Tip (Hex Hd.)	1
23	671103001	Retaining Ring	1
24	631060001	Cupped Washer	1
25	300957001	Drive Case Cover Assembly	1
26	631035001	Chain Catcher	1
27	660618001	Screw (10-24 x 1/2 in.)	1
28	671076001	Hex Nut	2
29	308006001	Safety Tip	1
30	308109001	Guide Bar	1
31	900920001	Chain	1

ITEM NO.	TORQUE SPECS.		REQUIRED LOCTITE
	In.-Lbs.	Nm	
7	25-35	2.8-3.9	242 Blue
11	8-18	0.9-2.0	
16	20-30	2.3-3.4	
20	130-180	14.7-20.3	
27	30-50	3.4-5.6	
28	Hand Tight		

HANDLE



NO.	PART NO.	DESCRIPTION	QTY.
1	511721001	Rear Handle	1
2	660631001	Screw (12-14 x 1-1/2 in.)	1
3	511712001	Throttle Trigger	1
4	511710001	Throttle Lock Out	1
5	511722001	Handle Cover	1
6	660629001	Screw (10-14 x 3/4 in.)	2
7	511711001	Throttle Pin Lock	1
8	660633001	Screw (10-14 x 1-3/8 in.)	1
9	671073001	Spring	1
10	671074001	E-Ring	1
11	511724001	Front Handle	1
12	631051001	Isolator Plate	1
13	660632001	Screw (10-14 x 5/8 in.)	3
14	660630001	Screw (10-24 x 5/8 in.)	1
15	631050001	Limiters, Isolator	1
16	660618001	Screw (10-14 x 1/2 in.)	3
17	900845001	Throttle Cable	1
18	671101001	Extension Spring	2
19	671098001	Upper Isolation Spring	1

ITEM NO.	TORQUE SPECS.		REQUIRED LOCTITE
	In.-Lbs.	Nm	
2	40-50	4.5-5.6	
6	30-40	3.4-4.5	
8	30-40	3.4-4.5	
13	30-40	3.4-4.5	
14	40-50	4.5-5.6	
16	30-40	3.4-4.5	

ACCESSORIES

WRENCH – COMBINATION	631055001
SCABBARD, 16 in. GUARD	518061003
CARRY CASE	308091012
OPERATOR'S MANUAL.....	983000738

HOMELITE CONSUMER PRODUCTS, INC.

1428 Pearman Dairy Road, Anderson, SC. 29625

Post Office Box 1207, Anderson, SC 29622

Phone 1-800-242-4672

www.homelite.com

983000738R (REV:00)

04-05-06