

For Parts Call 606-678-9623 or 606-561-4983

**HOMELITE
EXTENDED REACH HEDGE TRIMMER
MODEL NUMBER UT44180
REPAIR SHEET**

HOMELITE HEDGE TRIMMER – MODEL NUMBER UT44180

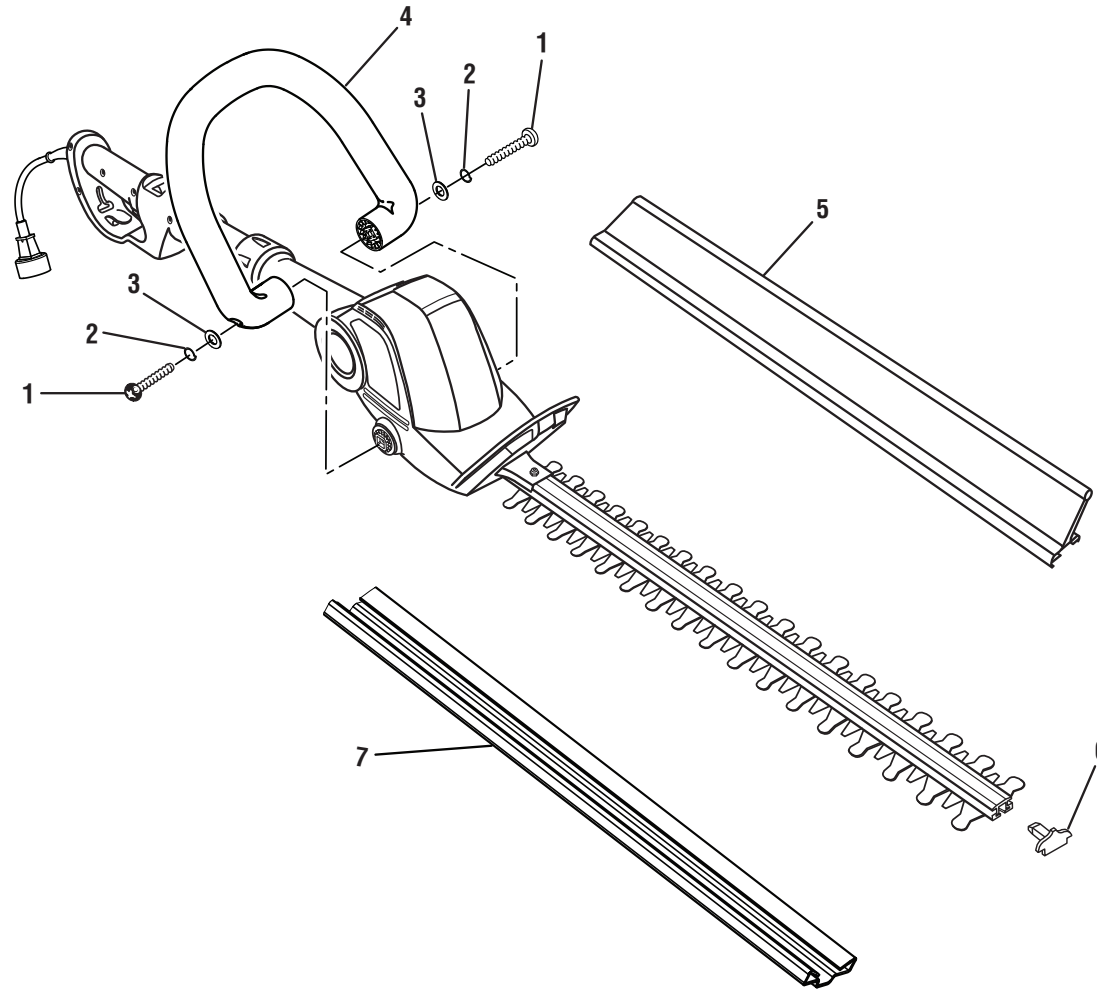


Figure A

PARTS LIST

Key No.	Part Number	Description	Qty	Key No.	Part Number	Description	Qty
1	32201162G	Screw (M4 x 23).....	2	5	31103445G	Debris Deflector.....	1
2	3290675G	Lock Washer.....	2	6	34201162G	Deflector Retainer.....	1
3	3290186G	Washer.....	2	7	34111171G	Scabbard.....	1
4	31307445G	Front Handle.....	1				

Note: The assembly shown represents an important part of the double insulated system. To avoid the possibility of alteration or damage to the system, service should be performed by your nearest Homelite authorized service dealer.

HOMELITE HEDGE TRIMMER - MODEL NUMBER UT44180

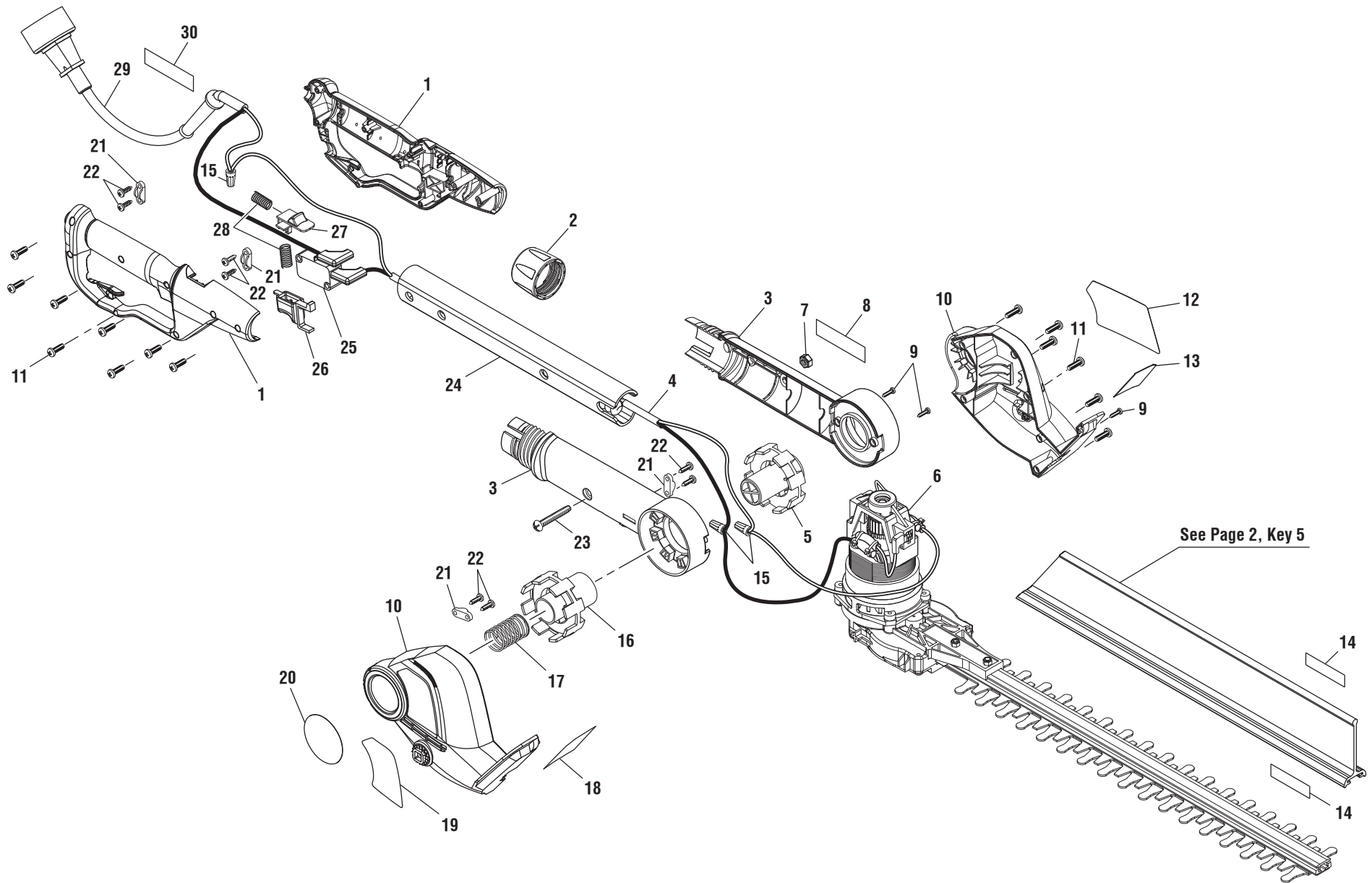


Figure B

HOMELITE HEDGE TRIMMER – MODEL NUMBER UT44180

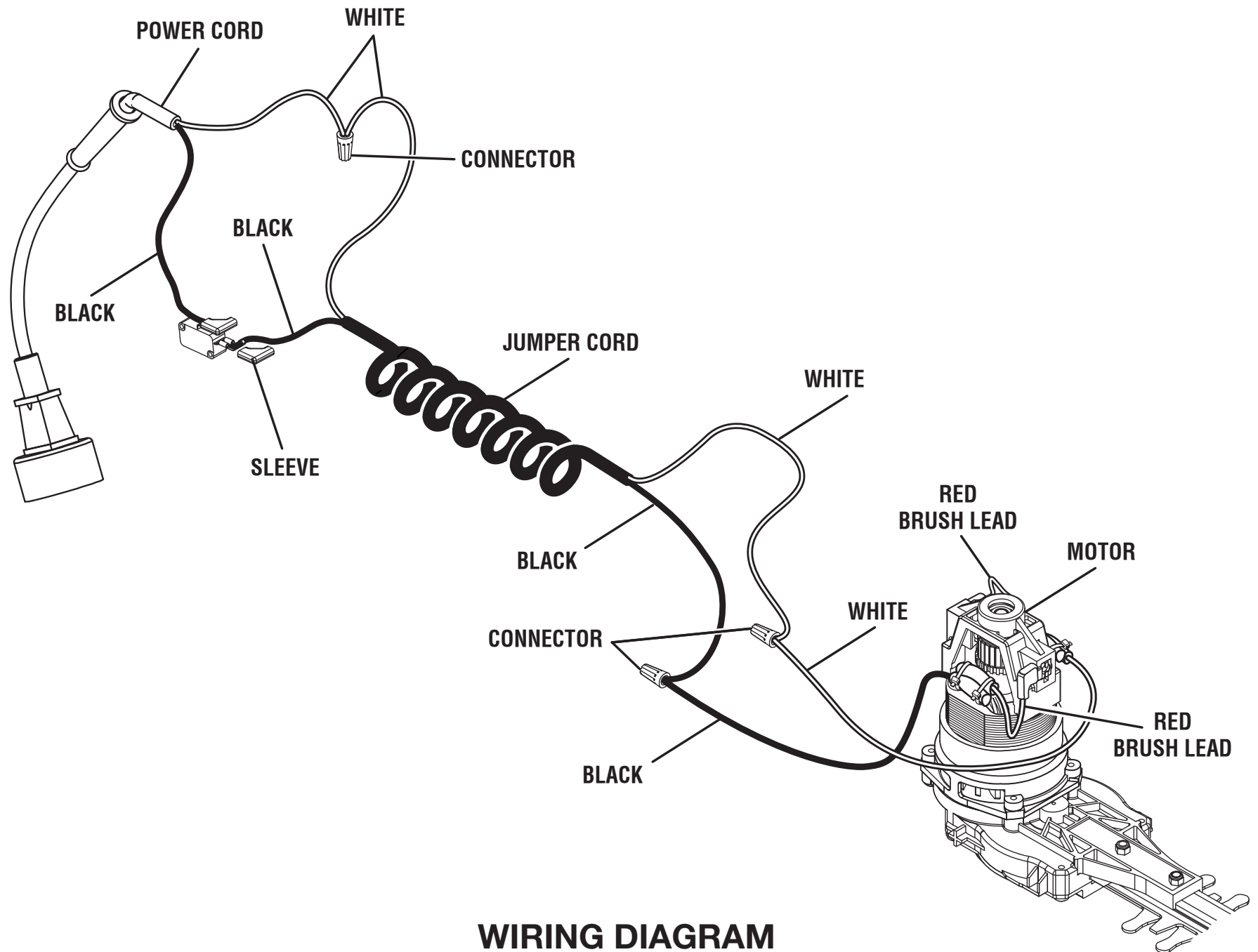
The model number will be found on a label attached to the motor housing. Always mention the model number in all correspondence regarding your **HEDGE TRIMMER** or when ordering repair parts.

PARTS LIST

KEY NO.	PART NUMBER	DESCRIPTION	QTY.	KEY NO.	PART NUMBER	DESCRIPTION	QTY.
1	31302152BG	Handle Assembly.....	1	17	33903171G	Compression Spring.....	1
2	34114152CG	Collar	1	18	099941002903	Right Danger Label.....	1
3	31102445G	Pivot Housing Assembly.....	1	19	099941002901	Logo Label.....	1
4	31306171G	Spring Cord Assembly.....	1	20	099941002904	Pivot Label.....	1
5	34103171AG	Pivot Button.....	1	21	3410801G	Cord Clamp	4
6	31305445G	Motor w/Blade Assembly	1	22	3220345G	Screw (M3.5 x 12 mm).....	8
7	32907152G	Lock Nut (M6)	1	23	32901163G	Screw (M6 x 41 mm).....	1
8	099999499051	Icon Label	1	24	34110445G	Tube	1
9	3220203G	Screw (M2.9 x 12 mm).....	2	25	36303152G	Switch.....	1
10	31101445G	Motor Housing Assembly	1	26	34118152G	Switch Trigger.....	1
11	3220313G	Screw (M4 x 14 mm).....	14	27	34110152G	Lock Off Button	1
12	099941002900	Data Label.....	1	28	33402161G	Compression Spring.....	2
13	099941002902	Left Danger Label	1	29	31305163G	Power Cord Assembly	1
14	099999499054	Deflector Warning Label	2	30	099941002910	Cord Warning Label.....	1
15	36504161G	Wire Nut.....	3		987000834	Operator's Manual	1
16	34104171AG	Pivot Lock.....	1		11-19-09 (REV:02)		

WARNING: Improper repair of a double insulated tool can result in damage to the double insulation system possibly causing electrical shock or electrocution. Any repairs requiring disassembly of your tool requires safety testing and should be performed by your nearest Homelite authorized service dealer.

HOMELITE HEDGE TRIMMER - MODEL NUMBER UT44180



WIRING DIAGRAM