

For Parts Call 606-678-9623 or 606-561-4983



**5,000 Watt Portable Generator  
Model No. HU40501  
Replacement Parts List**

**Generador portátil de 5000 Watts  
Modelo Núm. HU40501  
Lista de piezas de repuesto**

**TECHTRONIC INDUSTRIES NORTH AMERICA, INC.**

P.O. Box 35, Hwy. 8

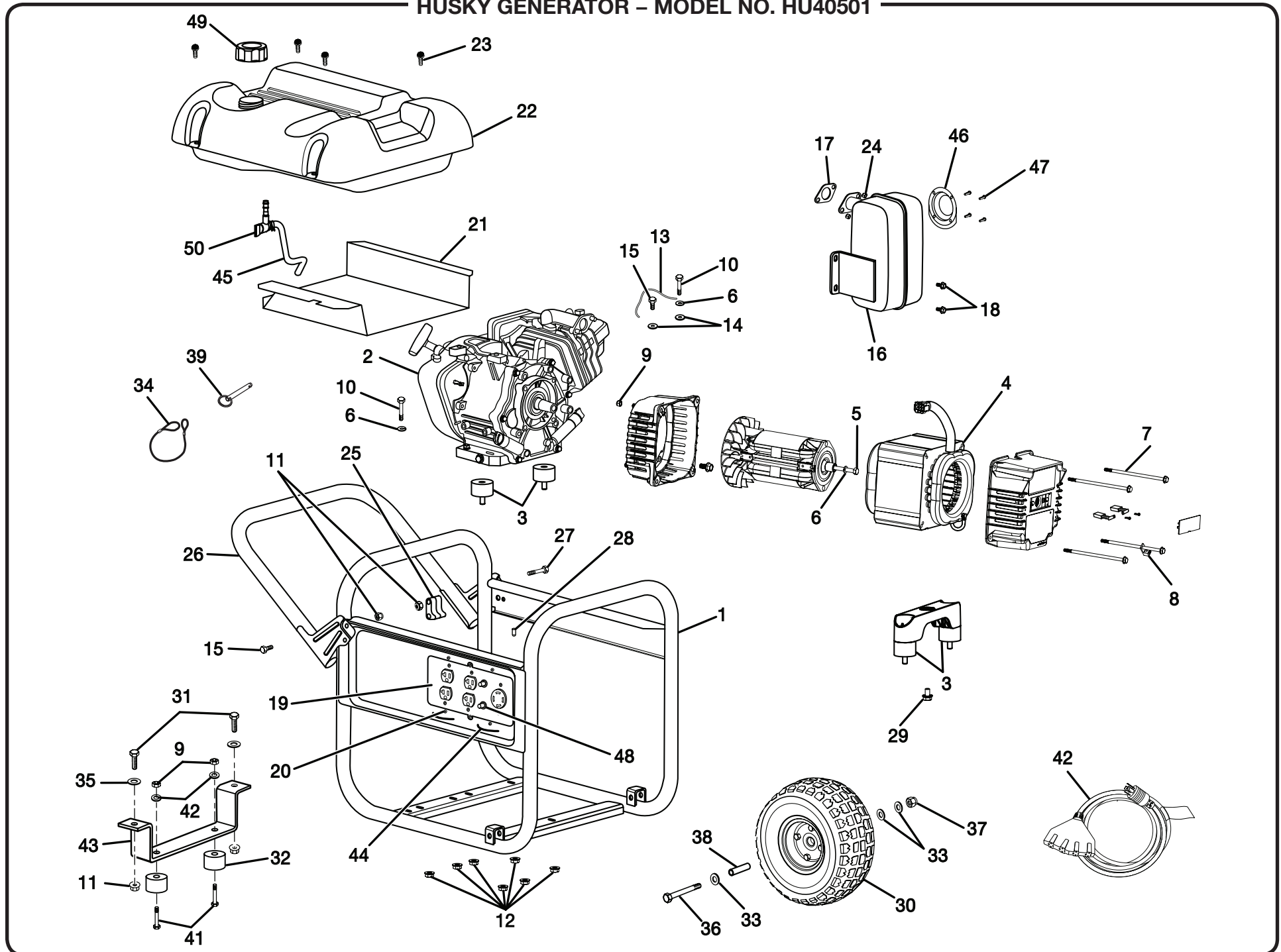
Pickens, SC 29671

Phone 1-866-340-3912

987000-397  
7-11-08 (REV:00)

[www.mymowerparts.com](http://www.mymowerparts.com)

HUSKY GENERATOR - MODEL NO. HU40501



## HUSKY GENERATOR – MODEL NO. HU40501

The model number will be found on a plate attached to the engine. Always mention the model number in all correspondence regarding your **GENERATOR** or when ordering replacement parts.

### PARTS LIST

| KEY NO. | PART NUMBER | DESCRIPTION                              | QTY. | KEY NO. | PART NUMBER | DESCRIPTION                               | QTY. |
|---------|-------------|--|------|---------|-------------|---|------|
| 1       | 308447004   | Frame Assembly .....                     | 1    | 37      | 678457003   | Lock Nut (3/8-16) .....                   | 2    |
| 2       | Note A      | Engine (Subaru OHC).....                 | 1    | 38      | 678672002   | Spacer (.38 ID) .....                     | 2    |
| 3       | 570356001   | Isolator .....                           | 4    | 39      | 310712001   | Handle Lock Pin.....                      | 1    |
| 4       | 310227009   | Generator Head Assembly.....             | 1    | 40      | 678473003   | End Cap .....                             | 2    |
| 5       | 661557006   | Bolt (5/16-24 x 6-5/8 in., Hex Hd.)..... | 1    | 41      | 290404002   | Ground Wire Assembly .....                | 1    |
| 6       | Note B      | Lock Washer (5/16 in.) .....             | 3    | 42      | 290426001   | Extension Cord (25 foot, 20 amp).....     | 1    |
| 7       | 660869006   | Bolt (1/4-20 x 6 in., Hex Hd.) .....     | 4    | 43      | Note B      | Bolt (1/4-20 x 1-1/2 in.).....            | 2    |
| 8       | 638703001   | Ground Lug .....                         | 1    | 44      | Note B      | Washer (1/4 in.) .....                    | 2    |
| 9       | 678016006   | Lock Nut (1/4-20) .....                  | 6    | 45      | 638709001   | Frame Support.....                        | 1    |
| 10      | Note B      | Bolt (5/16-18 x 1-1/2 in.).....          | 2    | 46      | 678655001   | Cord Retainer.....                        | 2    |
| 11      | 678457004   | Lock Nut (5/16-18).....                  | 4    | 47      | 310725004   | Fuel Line Assembly .....                  | 1    |
| 12      | 678145002   | Flange Nut (5/16-18) .....               | 7    | 48      | 638147003   | Spark Arrester Screen.....                | 1    |
| 13      | 290404001   | Ground Wire Assembly .....               | 1    | 49      | 661306001   | Screw (8-32 x 3/8 in.).....               | 4    |
| 14      | Note B      | Washer (5/16 in.) External Star.....     | 2    | 50      | 780351002   | Circuit Breaker (25 amp) .....            | 2    |
| 15      | Note B      | Bolt (5/16-18 x 3/4 in., Hex. Hd.) ..... | 2    | 51      | 310720002   | Fuel Cap.....                             | 1    |
| 16      | 309322004   | Muffler .....                            | 1    | 52      | 519711001   | Fuel Shut Off with Filter .....           | 1    |
| 17      | 638499003   | Gasket .....                             | 1    |         | 987000366   | Operator's Manual (960391003).....        | 1    |
| 18      | 661557007   | Bolt (5/16-24 x 5/8 in.) .....           | 1    |         | 901606006   | Lubricant (SAE 10W30).....                | 1    |
| 19      | 678674001   | Wire Panel.....                          | 1    |         | 638708002   | Carbon Cannister Bracket .....            | 1    |
| 20      | 661305002   | Screw (6-19 x 1/2 in.).....              | 4    |         | 310725005   | Fuel Line Assembly .....                  | 1    |
| 21      | 638497004   | Heat Shield.....                         | 1    |         | 310724003   | Carbon Cannister Hose Assembly.....       | 1    |
| 22      | Note C      | Fuel Tank Assembly .....                 | 1    |         | 310722003   | Carbon Cannister Assembly .....           | 1    |
| 23      | 660597003   | Screw (#10 x 1 in.).....                 | 4    |         | 310723003   | Carbon Cannister, Sentec.....             | 1    |
| 24      | 678654001   | Nut (8 mm) .....                         | 2    |         | 638710001   | Rollover Valve, Direct Mount, Sentec..... | 1    |
| 25      | 519789001   | Handle Lock Bracket .....                | 1    |         | 940819002   | Cord Warning Label .....                  | 1    |
| 26      | 310224004   | Handle .....                             | 1    |         | 961030006   | Caution/Danger Hang Tag.....              | 1    |
| 27      | Note B      | Bolt (5/16-18 x 1-3/4 in.).....          | 1    |         | 940707007   | Large Danger Label.....                   | 1    |
| 28      | 570364001   | Rubber Cap.....                          | 1    |         | 940974004   | Risk of Fire Danger Label.....            | 1    |
| 29      | 661557008   | Bolt (5/16-24 x 5/8 in.) .....           | 3    |         | 940513005   | Ground Label .....                        | 1    |
| 30      | 310223002   | Wheel .....                              | 2    |         | 940513009   | Ground Warning Label .....                | 1    |
| 31      | Note B      | Bolt (5/16-18 x 1 in.).....              | 2    |         | 940680020   | Hot Surface Label .....                   | 1    |
| 32      | 638706001   | Rubber Foot.....                         | 2    |         | 940514004   | Lock Pin Label .....                      | 1    |
| 33      | Note B      | Washer (3/8 in.) .....                   | 2    |         | 940705030   | Logo Label .....                          | 1    |
| 34      | 310715001   | Lanyard .....                            | 1    |         | 940708006   | Engine Lubricant Label .....              | 1    |
| 35      | 638675004   | Washer (5/16 in.) .....                  | 4    |         | 940617029   | Quick Start Label .....                   | 1    |
| 36      | Note B      | Bolt (3/8-16 x 4-1/4 in.).....           | 2    |         | 940617032   | Starting Label.....                       | 1    |

### STANDARD HARDWARE ITEM – MAY BE PURCHASED LOCALLY

**NOTE A:** Techtronic Industries North America, Inc., will not provide engines as replacement parts. Engines are covered through the engine manufacturer's warranty. Consult the accompanying engine manual or contact our service department for assistance.

**NOTE B:** These are standard parts available at your local hardware store.

**NOTE C:** Contact your nearest Husky® Service Center for replacement fuel tanks.



**WARNING:**

To avoid possible personal injury or equipment damage, a registered electrician or an authorized service representative should perform installation and all service. Under no circumstances should an unqualified person attempt to wire into a utility circuit.

## GENERADOR DE HUSKY – MODELO NÚM. HU40501

El número de modelo se encuentra en motor. Siempre mencione el número del modelo en toda correspondencia relacionada con el **GENERADOR** o al hacer pedidos de piezas de repuesto.

### LISTA DE PIEZAS

| NÚM. REF. | NÚM. PIEZA | DESCRIPCIÓN                                     | CANT. | NÚM. REF. | NÚM. PIEZA | DESCRIPCIÓN  | CANT. |
|-----------|------------|---|-------|-----------|------------|--|-------|
| 1         | 308447004  | Conj. de la armazón.....                        | 1     | 36        | Nota B     | Perno (3/8-16 x 4-1/4 pulg.).....                  | 2     |
| 2         | Nota A     | Motor (Subaru OHC).....                         | 1     | 37        | 578457003  | Tuerca de bloqueo (3/8-16).....                    | 2     |
| 3         | 570356001  | Aislador.....                                   | 4     | 38        | 678672002  | Espaciador (.38 ID).....                           | 2     |
| 4         | 310227009  | Conjunto de cabezal de su generador.....        | 1     | 39        | 310712001  | Pasador de seguro del mango.....                   | 1     |
| 5         | 661557006  | Perno (5/16-24 x 6-5/8 pulg., cabeza hex.)..... | 1     | 41        | 290426001  | Cordón de extensión (25 pie, 20A).....             | 1     |
| 6         | Nota B     | Arandela de seguridad (5/16 pulg.).....         | 3     | 42        | Nota B     | Perno (1/4-20 x 1-1/2 pulg.).....                  | 2     |
| 7         | 660869006  | Perno (1/4-20 x 6 pulg., cabeza hex.).....      | 4     | 43        | Nota B     | Arandela (1/4 pulg.).....                          | 2     |
| 8         | 638703001  | Terminal de Tierra.....                         | 1     | 44        | 638709001  | Soporte del bastidor.....                          | 1     |
| 9         | 678016006  | Tuerca de bloqueo (1/4-20).....                 | 6     | 45        | 678655001  | Retén para el cordón.....                          | 2     |
| 10        | Nota B     | Perno (5/16-18 x 1-1/2 pulg.).....              | 2     | 46        | 310725004  | Conj. de conductos de combustible.....             | 1     |
| 11        | 678457004  | Tuerca de bloqueo (5/16-18).....                | 4     | 47        | 638147003  | Pantalla parachispas.....                          | 1     |
| 12        | 678145002  | Tuerca de brida (5/16-18).....                  | 7     | 48        | 661306001  | Tornillo (8-32 x 3/8 pulg.).....                   | 4     |
| 13        | 290404001  | Conjunto de cable de tierra.....                | 1     | 49        | 780351002  | Cortacircuitos (25 amp).....                       | 2     |
| 14        | Nota B     | Arandela (5/16 pulg.) estrella.....             | 2     | 50        | 310720002  | Tapa de combustible.....                           | 1     |
| 15        | Nota B     | Perno (5/16-18 x 3/4 pulg., cabeza hex.).....   | 2     | 51        | 519711001  | Válvula combustible con filtro.....                | 1     |
| 16        | 309322004  | Silenciador.....                                | 1     |           | 987000366  | Manual del operador (901606006).....               | 1     |
| 17        | 638499003  | Empaquetadura.....                              | 1     |           | 901606006  | Lubricante (SAE 10W30).....                        | 1     |
| 18        | 661557007  | Perno (5/16-24 x 5/8 pulg.).....                | 2     |           | 638708002  | Soporte de receptáculo de carbón.....              | 1     |
| 19        | 678674001  | Panel de cabeado completo.....                  | 1     |           | 310725005  | Conjunto de conducto de combustible.....           | 1     |
| 20        | 661305002  | Tornillo (6-19 x 1/2 pulg.).....                | 4     |           | 310724003  | Conjunto de manguera de receptáculo de carbón..... | 1     |
| 21        | 638497004  | Protección del calor.....                       | 1     |           | 310722003  | Conjunto de receptáculo de carbón.....             | 1     |
| 22        | Nota C     | Conjunto tanque de combustible.....             | 1     |           | 310723003  | Receptáculo de carbón, Sentec.....                 | 1     |
| 23        | 660597003  | Tornillo (#10 x 1 pulg.).....                   | 4     |           | 638710001  | Válvula antirretorno, montaje directo, Sentec..... | 1     |
| 24        | 678654001  | Tuerca (8 mm).....                              | 2     |           | 940819002  | Etiqueta del cordón.....                           | 1     |
| 25        | 519789001  | Abrazadera de seguro del mango.....             | 1     |           | 961030006  | Etiqueta colgada del precaución/peligro.....       | 1     |
| 26        | 310224004  | Mango.....                                      | 1     |           | 940707007  | Etiqueta grande de peligro.....                    | 1     |
| 27        | Nota B     | Perno (5/16-18 x 1-3/4 pulg.).....              | 1     |           | 940974004  | Etiqueta de peligro del riesgo de incendio.....    | 1     |
| 28        | 570364001  | Tapa de goma.....                               | 1     |           | 940513005  | Etiqueta de tierra.....                            | 1     |
| 29        | 661557008  | Perno (5/16-24 x 5/8 pulg.).....                | 3     |           | 940513009  | Etiqueta de advertencia a tierra.....              | 1     |
| 30        | 310223002  | Rueda.....                                      | 2     |           | 940680020  | Etiqueta superficial caliente.....                 | 1     |
| 31        | Nota B     | Perno (5/16-18 x 1 pulg.).....                  | 2     |           | 940514004  | Etiqueta de pasador de sujeción.....               | 1     |
| 32        | 638706001  | Pie de goma.....                                | 2     |           | 940705030  | Etiqueta logotipo.....                             | 1     |
| 33        | Nota B     | Arandela (3/8 pulg.).....                       | 2     |           | 940708006  | Etiqueta de lubricante para motor.....             | 1     |
| 34        | 310715001  | Correa.....                                     | 1     |           | 940617029  | Etiqueta de arranque rapido.....                   | 1     |
| 35        | 638675004  | Arandela (5/16 pulg.).....                      | 4     |           | 940617032  | Etiqueta de arranque.....                          | 1     |

### ARTÍCULO ESTÁNDAR DE FERRETERÍA – PUEDE ADQUIRIRSE EN LA LOCALIDAD

**NOTA A:** Techtronic Industries North America, no proporcionará los motores como repuestos. Los motores están cubiertos por medio de la garantía del fabricante del motor. Consulte el manual adjunto del motor o comuníquese con nuestro departamento de servicio para recibir ayuda al respecto.

**NOTA B:** Estas son piezas estándar disponibles en su ferretería local.

**NOTA C:** Para hacer pedidos de tanques, localice el Centro de Servicio de Husky® más cercano.

**⚠ ADVERTENCIA:**

Para evitar posibles lesiones físicas o daños materiales, es necesario que la instalación y todo el servicio sea realizado por un electricista matriculado o representante de servicio autorizado. Bajo ninguna circunstancia debe permitirse que una persona que no está capacitada trate de manipular cables dentro del circuito de servicio eléctrico.