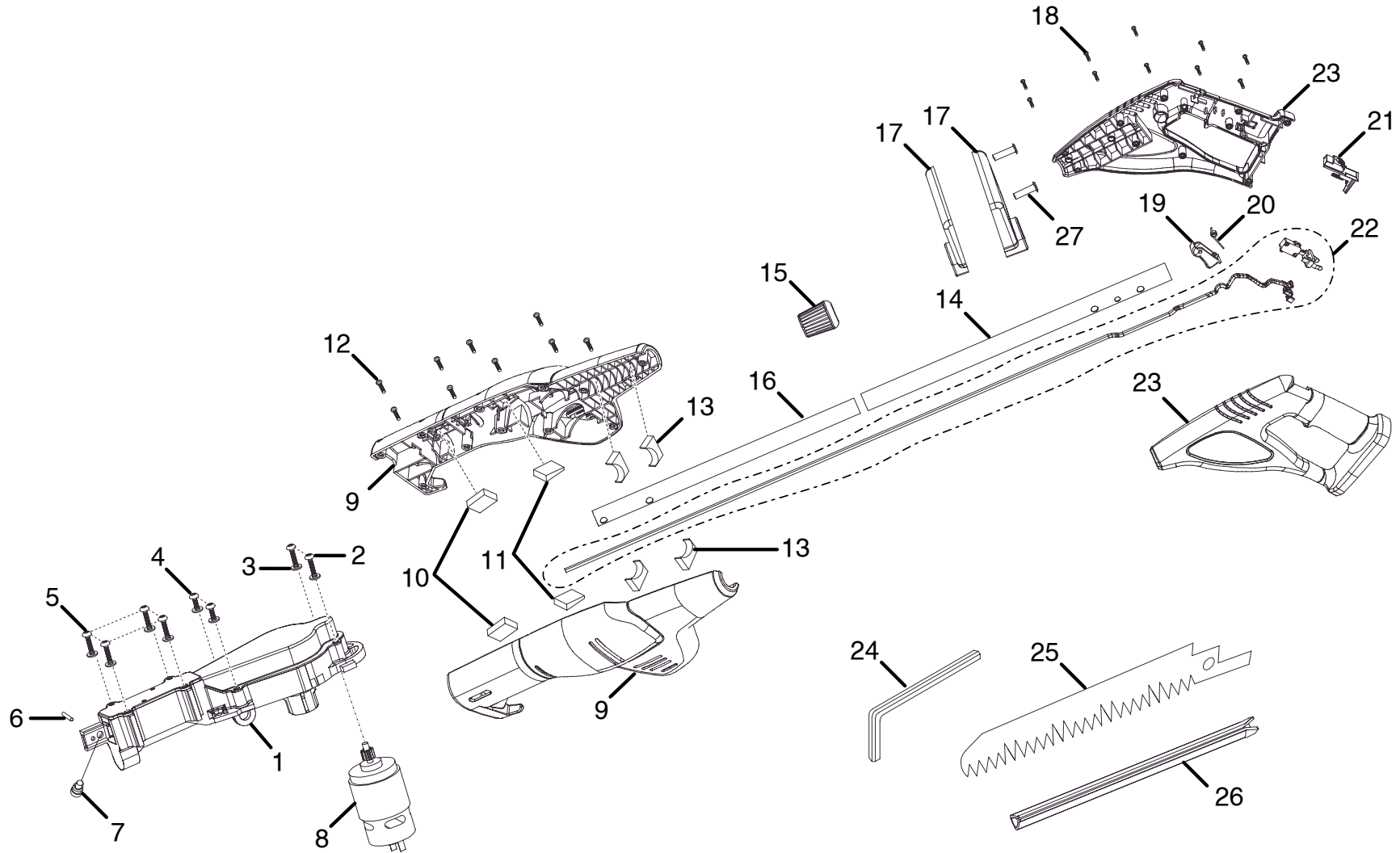


For Parts Call 606-678-9623 or 606-561-4983

**HOMELITE
18 VOLT CORDLESS POLE PRUNER
MODEL NO. UT34020
REPAIR SHEET**



HOMELITE 18 VOLT CORDLESS POLE PRUNER – MODEL NO. UT34020

The model number will be found on a plate attached to the motor housing. Always mention the model number in all correspondence regarding your **HOMELITE CORDLESS POLE PRUNER** or when ordering repair parts.

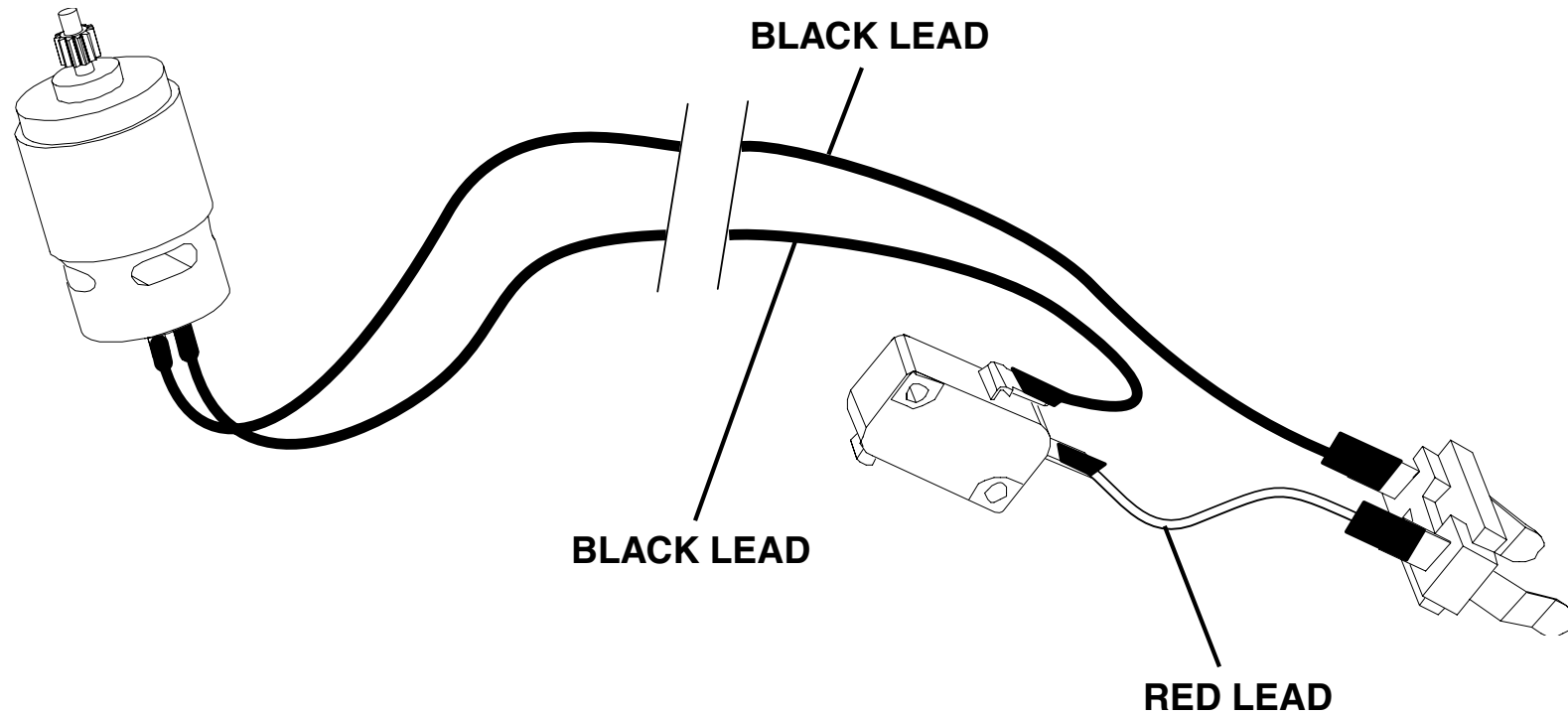
PARTS LIST

KEY NO.	PART NUMBER	DESCRIPTION	QTY.	KEY NO.	PART NUMBER	DESCRIPTION	QTY.
1	2201613	GEAR BOX ASSEMBLY.....	1	15	5203611	COLLECTING CAP.....	1
2	6621215	* SCREW (M4 X 28 mm).....	2	16	300909005	LOWER TUBE (26 mm).....	1
3	6703001	SPRING WASHER.....	2	17	984303001	FRONT HANDLE ASSEMBLY.....	1
4	6621211	* SCREW (M4 X 12 mm).....	2	18	6620606	* SCREW (M3.5 X 16 mm).....	10
5	6616503	* SCREW (M4 X 18 mm).....	4	19	5205506	TRIGGER.....	1
6	6904001	MOUNTING CLAMP.....	1	20	6794201	TRIGGER SPRING.....	1
7	6616926	SCREW (M6 X 14 mm).....	1	21	5912701	SAFETY BUTTON.....	1
8	2307403	MOTOR ASSEMBLY.....	1	22	2701511	SWITCH ASSEMBLY.....	1
9	984302001	HOUSING ASSEMBLY.....	1	23	984304001	HAND HOUSING SUPPORT ASSEMBLY.....	1
10	5670301	RUBBER.....	2	24	6800201	HEX KEY.....	1
11	5670401	RUBBER.....	2	25	6968001	BLADE.....	1
12	6620805	* SCREW (M4 X 16 mm).....	10	26	5944401	SCABBARD.....	1
13	5688401	RUBBER.....	4	27	6620501	* SCREW (M3 X 14 mm).....	4
14	300909004	UPPER TUBE (23 mm).....	1		983000-114	OPERATOR'S MANUAL	
					983000-114R	REPAIR SHEET	
					10-23-03		

* STANDARD HARDWARE ITEM – MAY BE PURCHASED LOCALLY

For Parts Call 606-678-9623 or 606-561-4983

HOMELITE 18 VOLT CORDLESS POLE PRUNER – MODEL NO. UT34020



WIRING DIAGRAM