

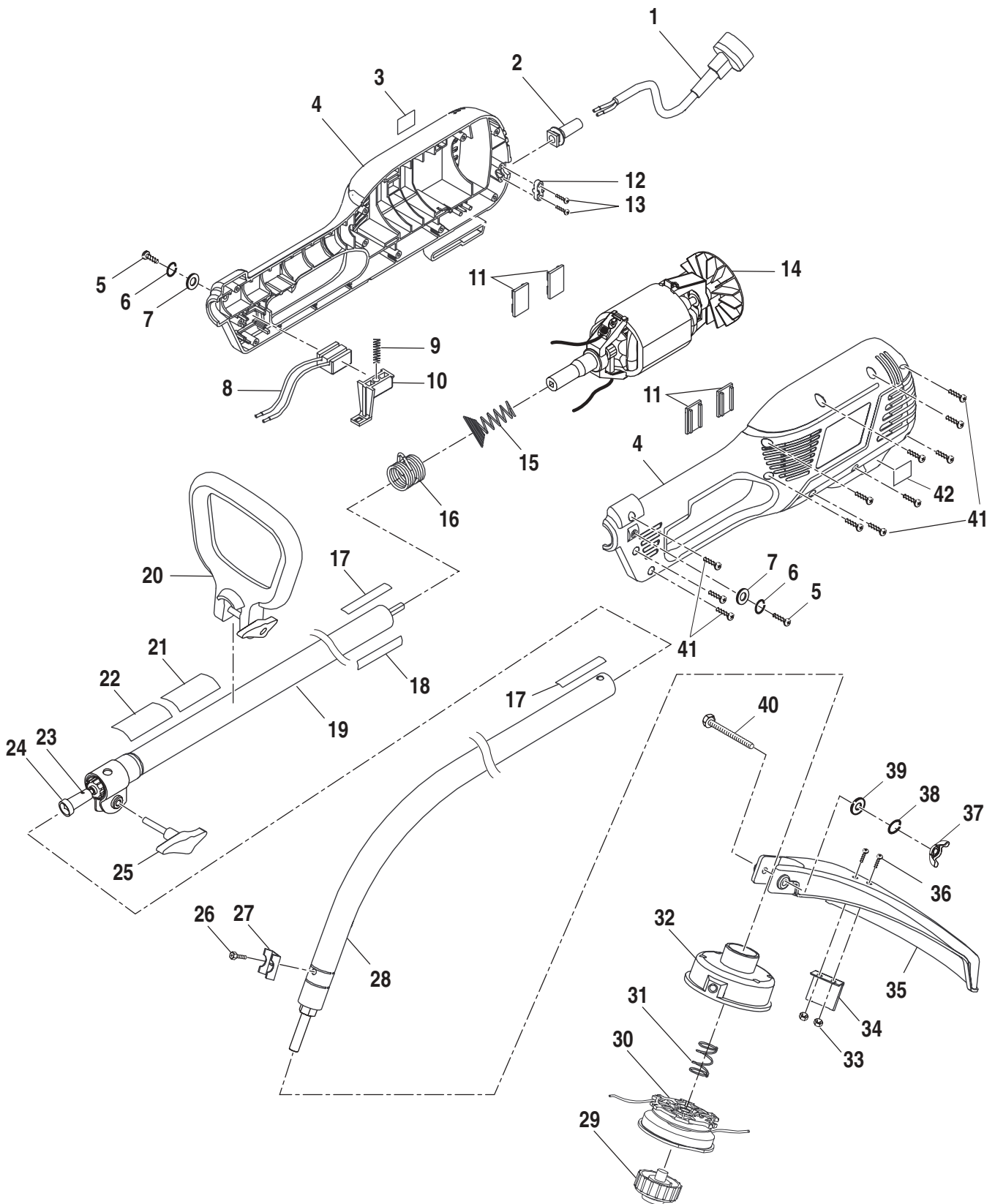
For Parts Call 606-678-9623 or 606-561-4983

**HOMELITE**

**15 in. LINE TRIMMER**

**MODEL NO. UT41002**

**REPAIR SHEET**



HOMELITE 15 in. LINE TRIMMER – MODEL NUMBER UT41002

The model number will be found on a plate attached to the motor housing. Always mention the model number in all correspondence regarding your **LINE TRIMMER** or when ordering repair parts.

**PARTS LIST**

KEY NO.	PART NUMBER	DESCRIPTION	QTY.
1	UT41002-01	POWER CORD .....	1
2	UT41002-03	BEND RELIEF .....	1
3	UT41002-28	LOGO PLATE - HOUSING SUPPORT .....	1
4	984725-001	HOUSING ASSEMBLY .....	1
5	UT41002-10	* SCREW (M4 X 12 mm) .....	2
6	UT41002-09	* SPRING WASHER (M4) .....	2
7	UT41002-08	* WASHER (M4) .....	2
8	UT41002-17	SWITCH .....	1
9	UT41002-16	SPRING .....	1
10	UT41002-15	SWITCH TRIGGER .....	1
11	UT41002-07	RUBBER CUSHION .....	4
12	UT41002-04	CORD CLAMP .....	1
13	UT41002-21	* SCREW (M4.2 X 15 mm) .....	2
14	UT41002-14	MOTOR ASSEMBLY .....	1
15	UT41002-19	SPRING .....	1
16	UT41002-12	HOOK .....	1
17	984032-001	ICON LABEL .....	2
18	984175-001	DATA PLATE .....	1
19	UT41002-11	ALUMINIUM BOOM ASSEMBLY (INCLUDES KEY NOS. 23 AND 24) .....	1
20	UT41002-18	AUXILIARY HANDLE ASSEMBLY .....	1
21	UT41002-29	WARNING LABEL .....	1
22	984339-001	WARNING LABEL .....	1
23	UT41002-20	* SCREW (M4 X 4 mm) .....	1
24	UT41002-26	COUPLER .....	1
25	UT41002-13	CLAMP LOCK KNOB .....	1
26	UP04256	* SCREW (10-24 X 3/8 in. HEX HD.) .....	1
27	UP04137	GRASS DEFLECTOR CLAMP .....	1
28	PA00881A	D/SHAFT HOUSING ASSEMBLY (TRIMMER LOWER CURVED BOOM) .....	1
29	DA98866A	RETAINING CAP .....	1
30	UP00145	SPOOL W/LINE (.080 in.) .....	1
31	06713	COMPRESSION SPRING .....	1
32	UP06567	TRIMMER HEAD W/EYELETS .....	1
33	UP03885	* HEX NUT (10-24) .....	2
34	UP04119	LINE CUTTING BLADE .....	1
35	A01286	GRASS DEFLECTOR .....	1
36	UP04159	* SCREW (10-24 X 7/8 in. HEX HD.) .....	2
37	UP04262	WING NUT .....	1
38	UP03409	LOCK WASHER .....	1
39	84006	FLAT WASHER .....	1
40	UP06523	* SCREW (10-24 X 2 in. HEX HD.) .....	1
41	UT41002-05	* SCREW (M4.2 X 19 mm) .....	10
42	UT41002-27	LOGO PLATE - HOUSING COVER .....	1
	983000-123	OPERATOR'S MANUAL	
	983000-123R	REPAIR SHEET	
	6-1-04		

**WARNING:** Improper repair of a double insulated tool can result in damage to the double insulation system possibly causing electrical shock or electrocution. Any repairs requiring disassembly of your tool requires safety testing and should only be performed by a Ryobi Authorized Service Center. For the service center nearest you call 1-800-525-2579.

\* Standard Hardware Item – May Be Purchased Locally