

Homelite®

PARTS LIST

LR5550UT03833

LRE5550UT03834

GENERATOR

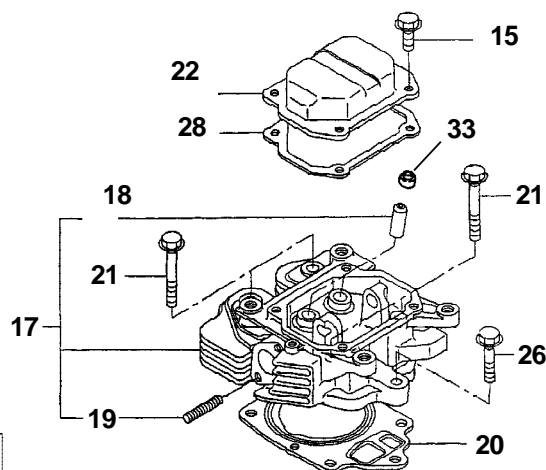
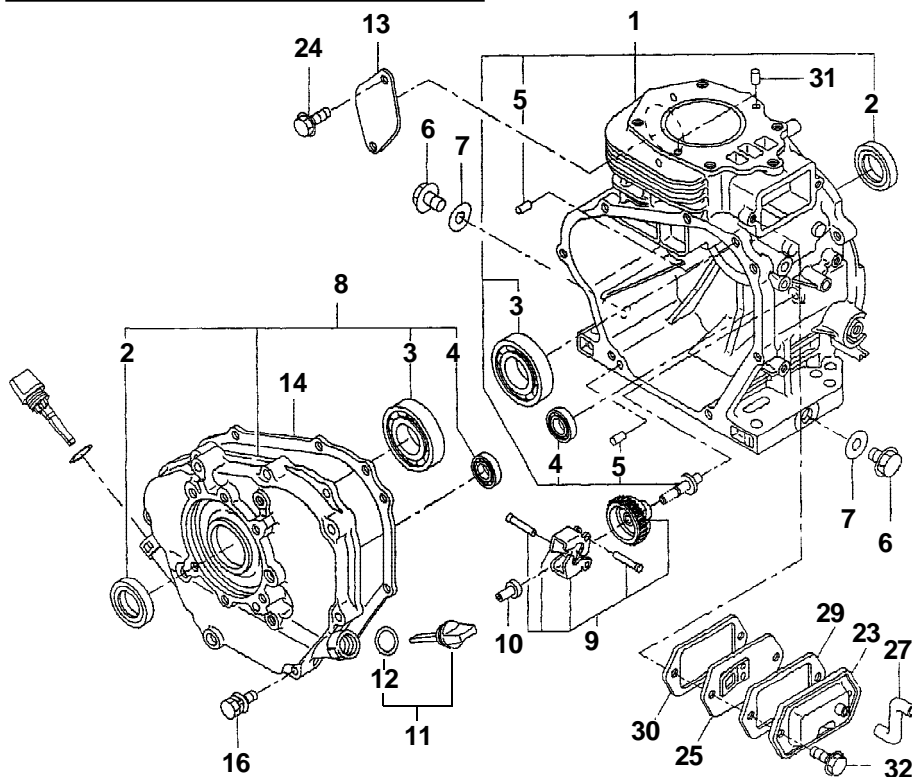
P/N PS 04522

LR5550
LRE5550

CRANKCASE

Warranty Flat Rate		
Job	Description	Time/Hr.
GB10	... Partial Engine Rebuild	3.5
GB11	... Complete Engine Rebuild	5.0
GB15	... Crankcase Seal (each)	1.0
GB21	... Cylinder Head Gasket	0.5
GB22	... Valve Train Rebuild	1.0

Torque Specs			
Item No.	In/Lbs	Nm	Required Loctite
15	72-84	8.0-9.5	
16	150-162	17-18.5	
24	159-188	18.0-21.2	

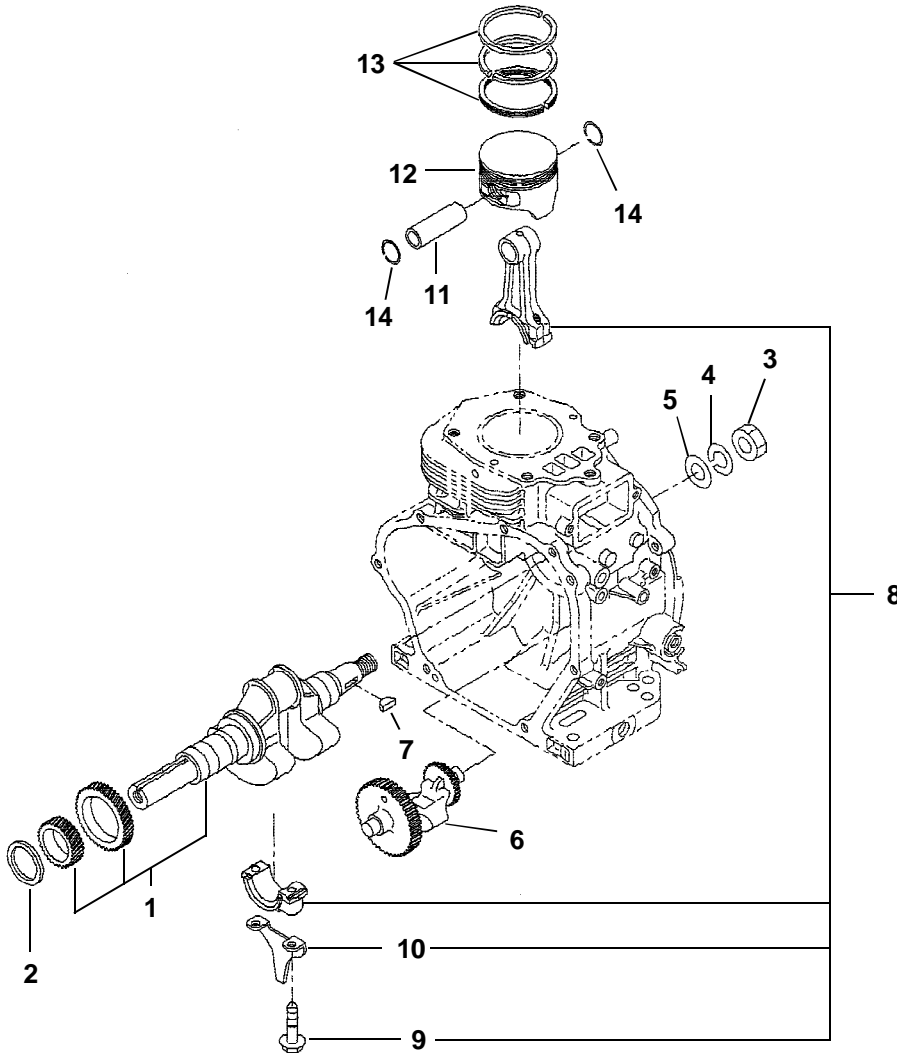


NO.	PART NO.	DESCRIPTION	ROBIN P/N	Qty.	NO.	PART NO.	DESCRIPTION	ROBIN P/N	Qty.
1	• UP 05312	Crankcase	247-10120-01	1	17	• UP 05321	Cylinder head	247-13001-31	1
2	UP 04898	Oil seal	044-03500-90	1	18	UP 05313	Valve guide	246-14201-03	2
3	UP 04899	Ball bearing	060-03500-10	1	19	UP 05314	Stud	010-50804-30	2
4	UP 04900	Ball bearing	060-01500-10	1	20	UP 05322	Head gasket	247-15001-13	1
5	UP 03220	Dowel pin	031-00600-20	2	21	UP 04378	Flange bolt	011-01000-40	4
6	UP 03223	Plug	040-11400-30	2	22	UP 05323	Rocker cover cp	246-15501-01	1
7	UP 03224	Gasket	021-11400-20	2	23	UP 05324	Breather Cover Cp	246-14301-01	1
8	• UP 05315	Main bearing cover	246-11002-31	1	24	UP 05014	Bolt	001-65081-20	2
2	UP 04898	Oil seal	044-03500-90	1	25	UP 05325	Breather Plate Cp	246-14401-01	1
3	UP 04899	Ball bearing	060-03500-10	1	26	UP 05326	Flange bolt	011-01000-20	1
4	UP 04900	Ball bearing	060-01500-10	1	27	UP 05327	Rubber pipe	246-10801-03	1
9	UP 05316	Governor gear cp	246-45001-01	1	28	UP 05328	Gasket rocker cover	246-16002-13	1
10	UP 03229	Governor sleeve	205-41901-03	1	29	UP 04383	Gasket breather cover	246-16006-03	1
11	• UP 04907	Oil gauge	224-63601-03	1	30	UP 05329	Gasket breather plate	246-16007-13	1
12	UP 04908	Gasket	021-32000-10	2	31	UP 03220	Dowel pin	031-00600-20	2
13	UP 05318	Blind cover	224-17101-03	1	32	UP 03300	Flange bolt	011-00600-30	2
14	UP 05319	Bearing cover gasket	246-15101-03	1					
15	UP 03242	Flange, bolt	011-00600-20	4		UP 05330	Gasket set	247-99001-07	1
16	UP 05320	Bolt and washer ay	001-13084-00	7		UP 05513	Complete engine	EH34	
						UP 05515	Complete engine	EH34 Electric	

9/21/2000

LR5550
LRE5550

CRANKSHAFT - PISTON



Warranty Flat Rate		
Job	Description	Time/Hr.
GB10	... Partial Engine Rebuild	3.5
GB11	... Complete Engine Rebuild	5.0

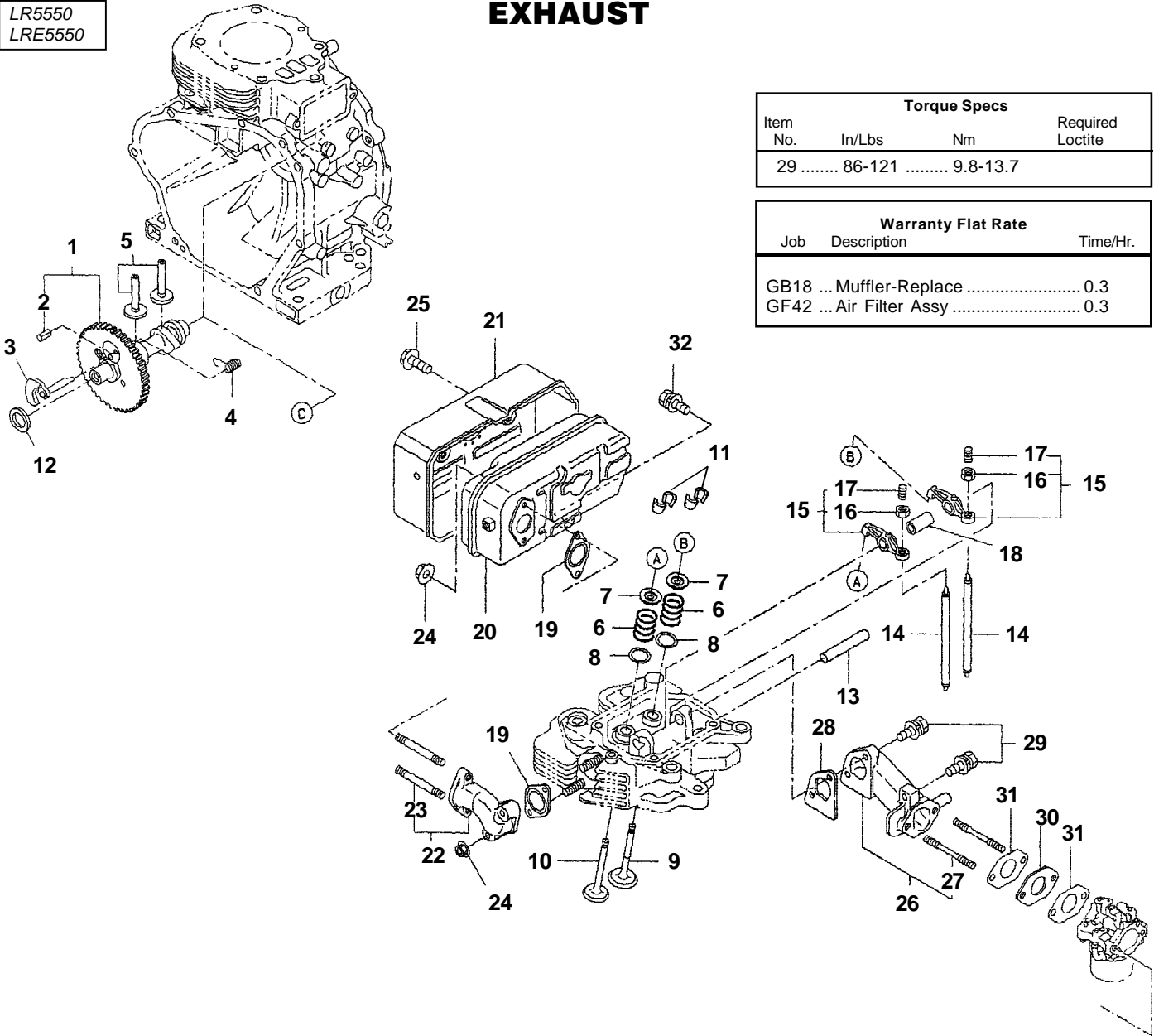
Torque Specs			
Item No.	In/Lbs	Nm	Required Loctite
3	434-470	49.0-53.1	
9	122-145	13.8-16.4	

NO.	PART NO.	DESCRIPTION	ROBIN P/N	Qty.
1	UP 05331	Crankshaft cp	246-21201-01	1
2	UP 04921	Spacer (.6)	023-03501-60	1
	UP 04922	Spacer (.8)	023-03501-70	1
	UP 04923	Spacer (1.0)	023-03501-80	1
3	UP 03249	Nut	002-18180-00	1
4	UP 03250	Spring washer	003-20180-00	1
5	UP 04925	Washer	003-10180-00	1
6	UP 05395	Balancer shaft	246-24102-23	1
7	UP 04927	Woodruff key	005-32054-01	1
8	• UP 05332	Connecting rod Ay	246-22501-00	1
9	UP 04393	Connecting rod bolt	246-23001-03	2
10	UP 05333	Oil scrapper	246-23101-13	1
11	UP 05334	Piston pin	246-23301-03	1
12	UP 05335	Piston	247-23401-13	1
	UP 05336	Piston (.25)	247-23402-13	1
	UP 05337	Piston (.5)	247-23403-13	1
13	UP 05338	Piston ring set (std)	247-23501-07	1
	UP 05339	Piston ring set (.25)	247-23502-07	1
	UP 05340	Piston ring set (.5)	247-23503-07	1
14	UP 04936	Clip	056-52100-20	2

9/21/2000

LR5550
LRE5550

EXHAUST



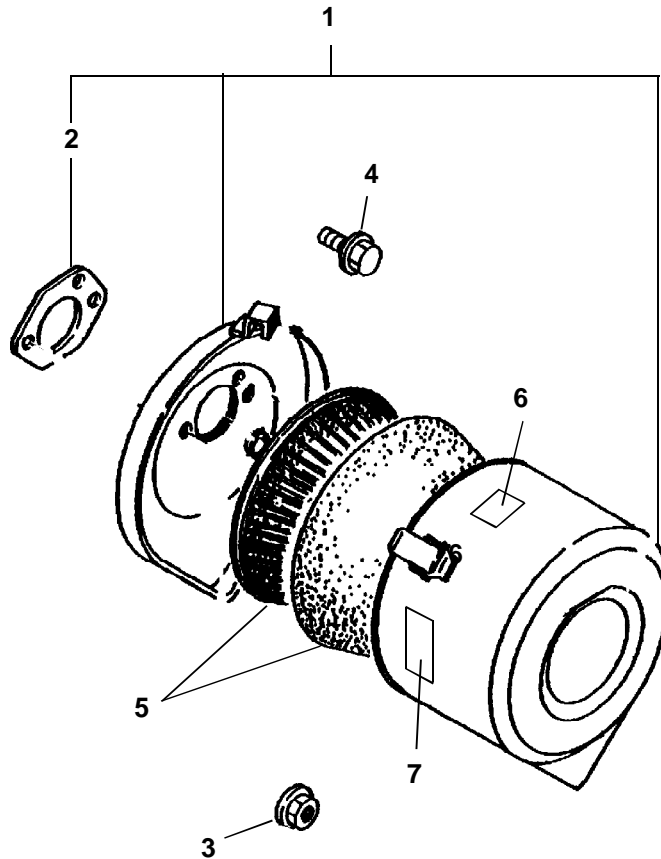
Torque Specs			
Item No.	In/Lbs	Nm	Required Loctite
29	86-121	9.8-13.7	

Warranty Flat Rate		
Job	Description	Time/Hr.
GB18	Muffler-Replace	0.3
GF42	Air Filter Assy	0.3

NO.	PART NO.	DESCRIPTION	ROBIN P/N	Qty.	NO.	PART NO.	DESCRIPTION	ROBIN P/N	Qty.
1	UP 05341	Camshaft	246-31701-01	1	18	UP 05351	Spacer / Rocker Shaft	246-36120-13	
2	UP 03954	Spring pin	005-19041-00	1	19	UP 04424	Gasket, exhaust	246-35201-03	2
3	UP 04939	Release lever cp	246-36201-11	1	20	UP 05352	Muffler cp	246-30101-31	1
4	UP 04940	Return spring	246-36701-03	1	21	UP 05353	Muffler Cover cp	246-34201-31	1
5	UP 05342	Tappet	246-33301-03	2	22	UP 05354	Exhaust Pipe cp	246-34001-01	1
6	UP 04416	Valve spring	246-33611-03	2	23	UP 05355	Stud	010-50803-60	2
7	UP 04942	Spring retainer	246-33711-03	2	24	UP 05356	Flange Nut	018-00800-10	4
8	UP 05350	Washer	020-02000-10	2	25	UP 03274	Flange Bolt	011-00600-10	2
9	UP 05343	Intake valve	246-33411-03	1	26	UP 05359	Intake Pipe cp	246-33001-01	1
10	UP 05344	Exhaust valve	246-33511-03	1	27	UP 03976	Stud	010-50602-30	2
11	UP 04419	Collet, valve	246-35501-03	4	28	UP 04432	Gasket, In. Pipe	246-36001-13	1
12	UP 04945	Spacer T=0.6	023-02200-50	1	29	UP 04433	Bolt and Washer AY	001-13082-80	3
	UP 04946	Spacer T=0.7	023-02200-60	1	30	UP 05362	Insulator	246-32901-03	1
	UP 04947	Spacer T=0.8	023-02200-70	1	31	UP 03281	Gasket, insulator	234-35902-03	2
13	UP 05345	Rocker shaft	239-35001-03	1	32	UP 05360	Bolt and Washer AY	011-11081-60	1
14	UP 05346	Push rod cp	246-35301-11	2					
15	UP 05347	Rocker arm Ay	246-36101-10	2					
16	UP 05348	Nut	017-00800-90	2					
17	UP 05349	Adjusting Screw	014-90800-21	1					

LR5550
LRE5550

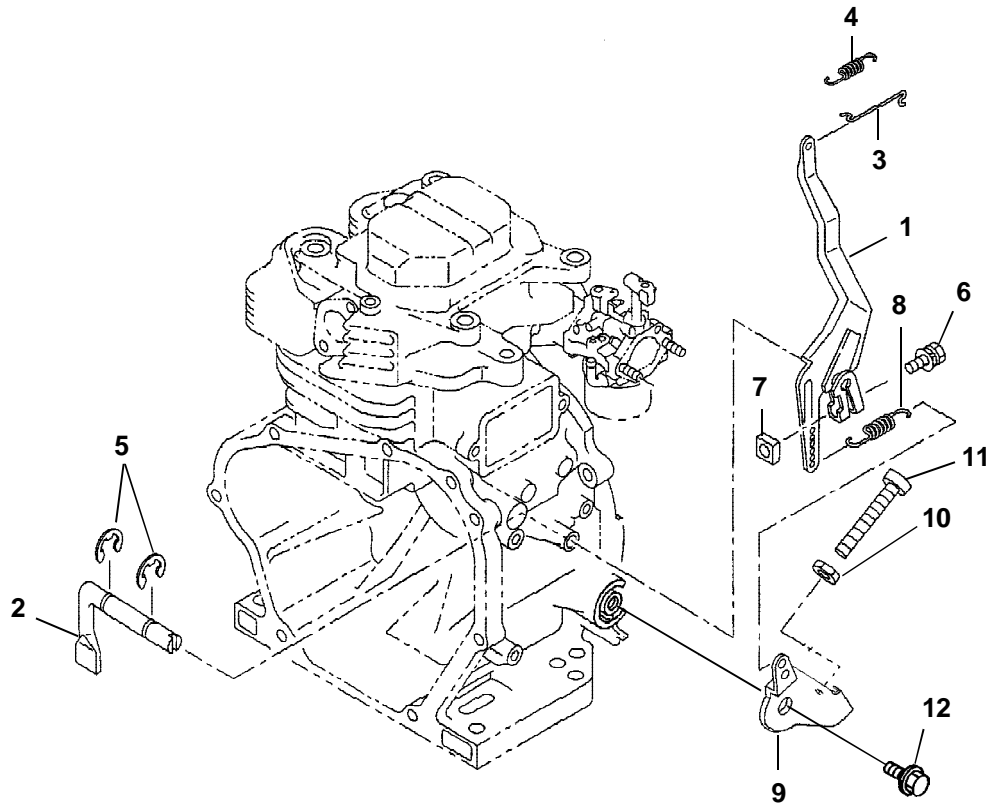
AIR CLEANER



NO.	PART NO.	DESCRIPTION	ROBIN P/N	Qty.
1	UP 04428	Air Cleaner AY	254-32602-10	1
2	UP 05361	Gasket	234-36003-08	1
3	UP 03987	Flange Nut	002-38060-00	2
4	UP 03282	Bolt and washer	001-10061-20	1
5	UP 03278	Element set	234-32604-07	1
6	UP 03990	Choke Label	073-20044-30	1
7	UP 05357	Label, cleaner	254-95301-13	1

LR5550
LRE5550

GOVERNOR



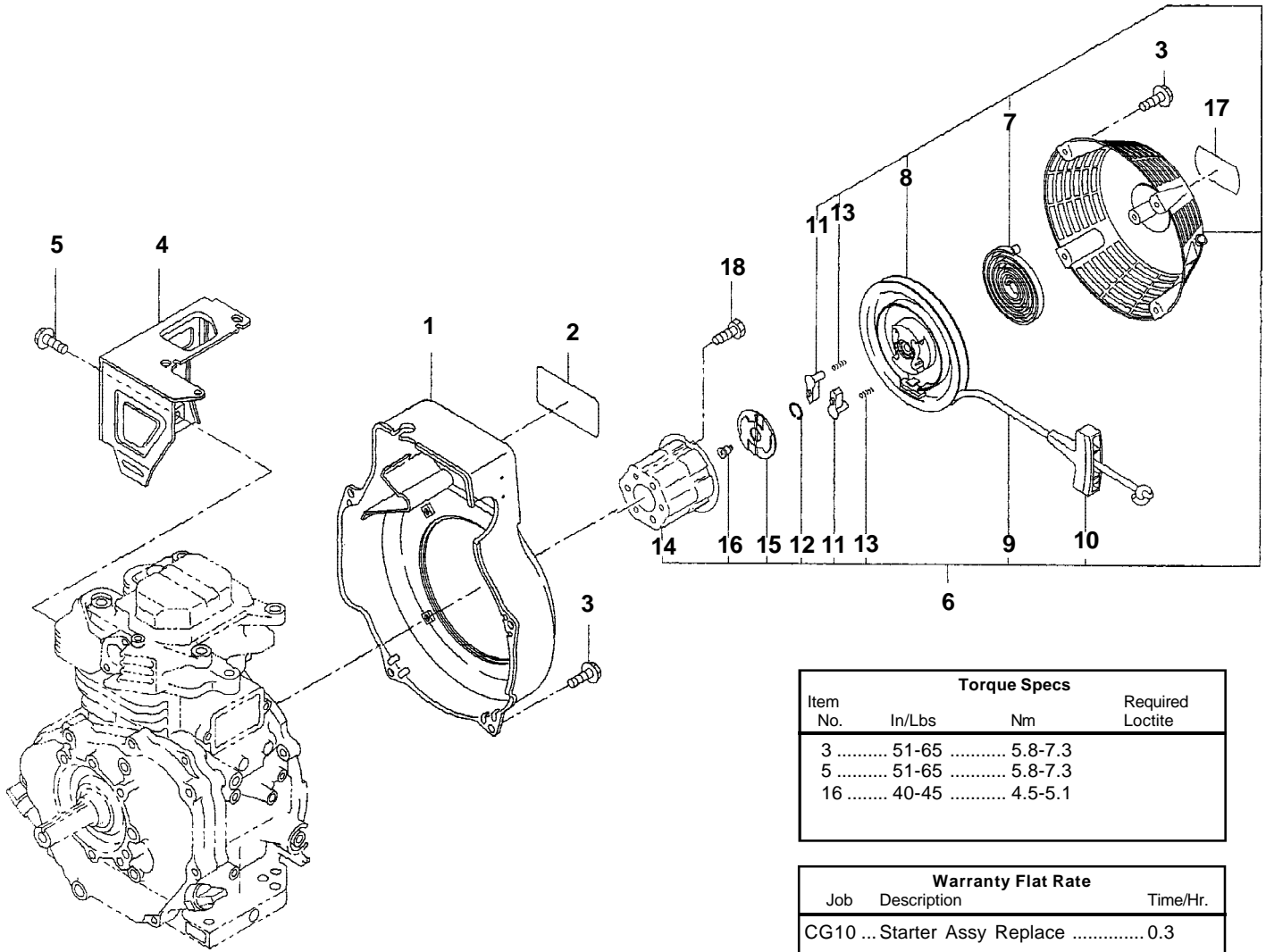
NO.	PART NO.	DESCRIPTION	ROBIN P/N	Qty.
1	UP 05363	Governor lever	246-42301-11	1
2	UP 05364	Governor shaft	246-42201-23	1
3	UP 03290	Governor rod	234-42701-01	1
4	UP 05365	Rod spring	246-42801-13	1
5	UP 03292	Clip	003-13060-00	2
6	UP 03293	Bolt and Washer AY	001-14062-50	1
7	UP 03294	Nut	018-60600-20	1
8	UP 05366	Governor spring	246-42501-23	1
9	UP 05367	Speed control lever	246-43310-03	1
10	UP 04500	Nut	002-17050-00	1
11	UP 05368	Screw, panhead	004-31053-50	1
12	UP 03353	Bolt & Washer	001-10081-60	1

Torque Specs			
Item No.	In/Lbs	Nm	Required Loctite
11	65-80	7.3-9.0	

Warranty Flat Rate		
Job	Description	Time/Hr.
GB23	... Governor Levers/Linkage	0.8
GB24	... Governor Shaft/Gear	2.5

LR5550
LRE5550

STARTER



Item No.	Torque Specs		Required Loctite
	In/Lbs	Nm	
3	51-65	5.8-7.3	
5	51-65	5.8-7.3	
16	40-45	4.5-5.1	

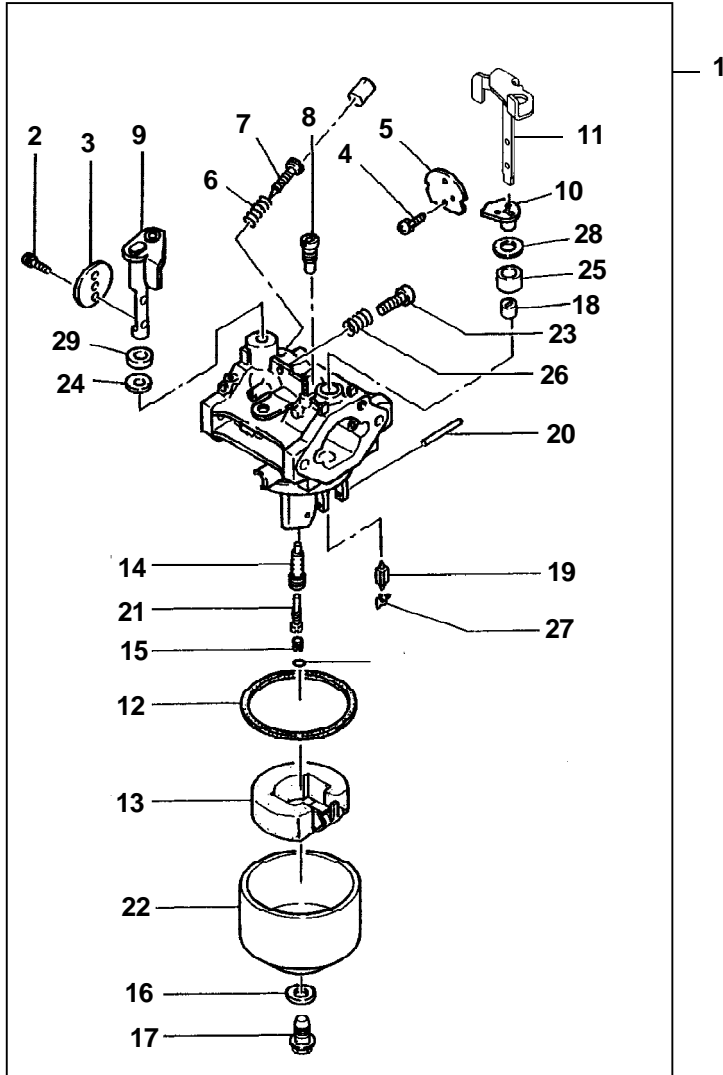
Warranty Flat Rate		
Job	Description	Time/Hr.
CG10	Starter Assy Replace	0.3

NO.	PART NO.	DESCRIPTION	ROBIN P/N	Qty.
1	UP 05369	Blower housing	246-51205-11	1
2	UP 05370	Label (trademark)	247-91705-03	1
3	UP 03274	Flange bolt	011-00600-10	8
4	UP 05371	Cylinder Baffle cp	246-52701-11	1
5	UP 03358	Flange bolt	011-00600-10	1
6	•UP 05372	Recoil starter assy	246-50201-20	1
7	UP 05373	Spring rewind	246-50115-08	1
8	UP 05009	Reel	246-50120-08	1
9	08274 10	Starter rope	270-50110-08	1
10	UP 04008	Starter knob	261-50100-08	1
11	UP 05010	Ratchet	246-50125-08	2
12	UP 05011	Friction spring	246-50130-08	1
13	08274 07	Return spring	227-50135-08	2
14	UP 05374	Pulley	246-50147-08	1
15	UP 05013	Ratchet guide	246-50160-08	1
16	08274 09	Set screw	227-50152-08	1
17	UP 04013	Label, OHV	073-20049-50	1
18	UP 05014	Bolt	001-65081-20	3

9/21/2000

LR5550
LRE5550

CARBURETOR



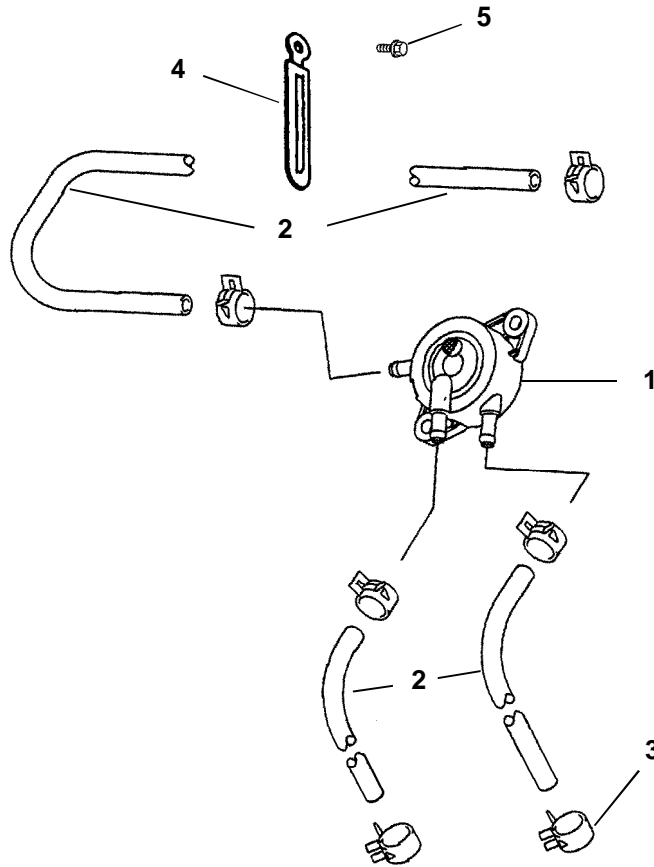
Torque Specs			
Item No.	In/Lbs	Nm	Required Loctite
17	49	6.5	

Warranty Flat Rate		
Job	Description	Time/Hr.
GF10	... Carburetor Replace	0.5

NO.	PART NO.	DESCRIPTION	ROBIN P/N	Qty.	NO.	PART NO.	DESCRIPTION	ROBIN P/N	Qty.
1	UP 05375	Carburetor	247-62331-00	1	21	UP 04474	Guide holder	246-62425-08	1
2	UP 03314	Screw	209-62351-08	2	22	UP 03326	Float chamber body	224-62552-08	1
3	UP 05377	Throttle valve	213-62535-08	1	23	UP 04044	Screw	246-62435-08	1
4	UP 03316	Screw	237-62451-08	2	24	UP 05382	Seal	106-62392-08	1
5	UP 03315	Choke valve	234-62525-08	1	25	UP 03336	Cap, choke	247-62550-08	1
6	UP 04053	Spring	209-62445-08	2	26	UP 04053	Spring	209-62445-08	
7	UP 03944	Adjuster	246-62430-08	1	27	UP 05090	Clip	224-62569-18	1
8	UP 05378	Pilot jet	247-62420-08	1	28	UP 03337	Seal	236-62680-08	1
9	UP 05381	Throttle shaft	246-62531-08	1	29	UP 03335	Gasket	156-62351-08	1
10	UP 03320	Ring	239-62560-08	1					
11	UP 04457	Choke lever	234-62520-08	1					
12	UP 03328	Chamber Gasket	206-62540-08	1					
13	UP 03329	Float	234-62506-08	1					
14	UP 05379	Main nozzle	246-62441-08	1					
15	UP 05380	Main jet	246-62402-08	1					
16	UP 03327	Insert washer	207-62345-08	1					
17	UP 04460	Bolt	224-62544-08	1					
18	UP 03323	Ring	226-62550-08	1					
19	UP 05082	Needle valve	224-62312-18	1					
20	UP 03325	Float pin	214-62515-08	1					

9/21/2000

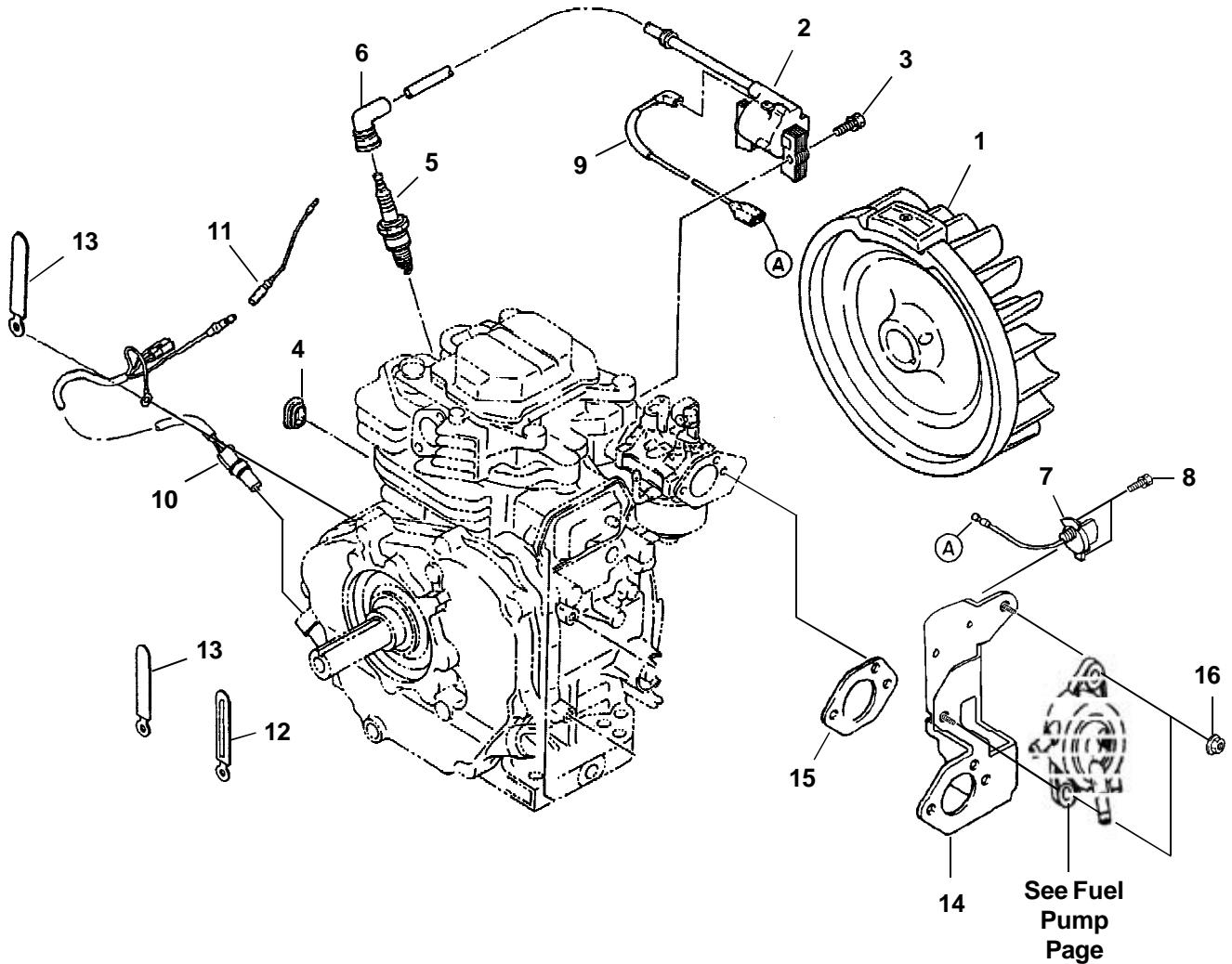
FUEL PUMP



NO.	PART NO.	DESCRIPTION	ROBIN P/N	Qty.
1	UP 05384	Fuel Pump Ay	267-62201-00	1
2	UP 05015	Fuel Line (Cut to Length) (39 in./1000mm)	085-10600-00	1
3	UP 04016	Hose clamp	056-11100-20	6
4	UP 04062	Clamp cp	056-60002-60	1
5	UP 03300	Screw	011-00600-30	1

LR5550

IGNITION



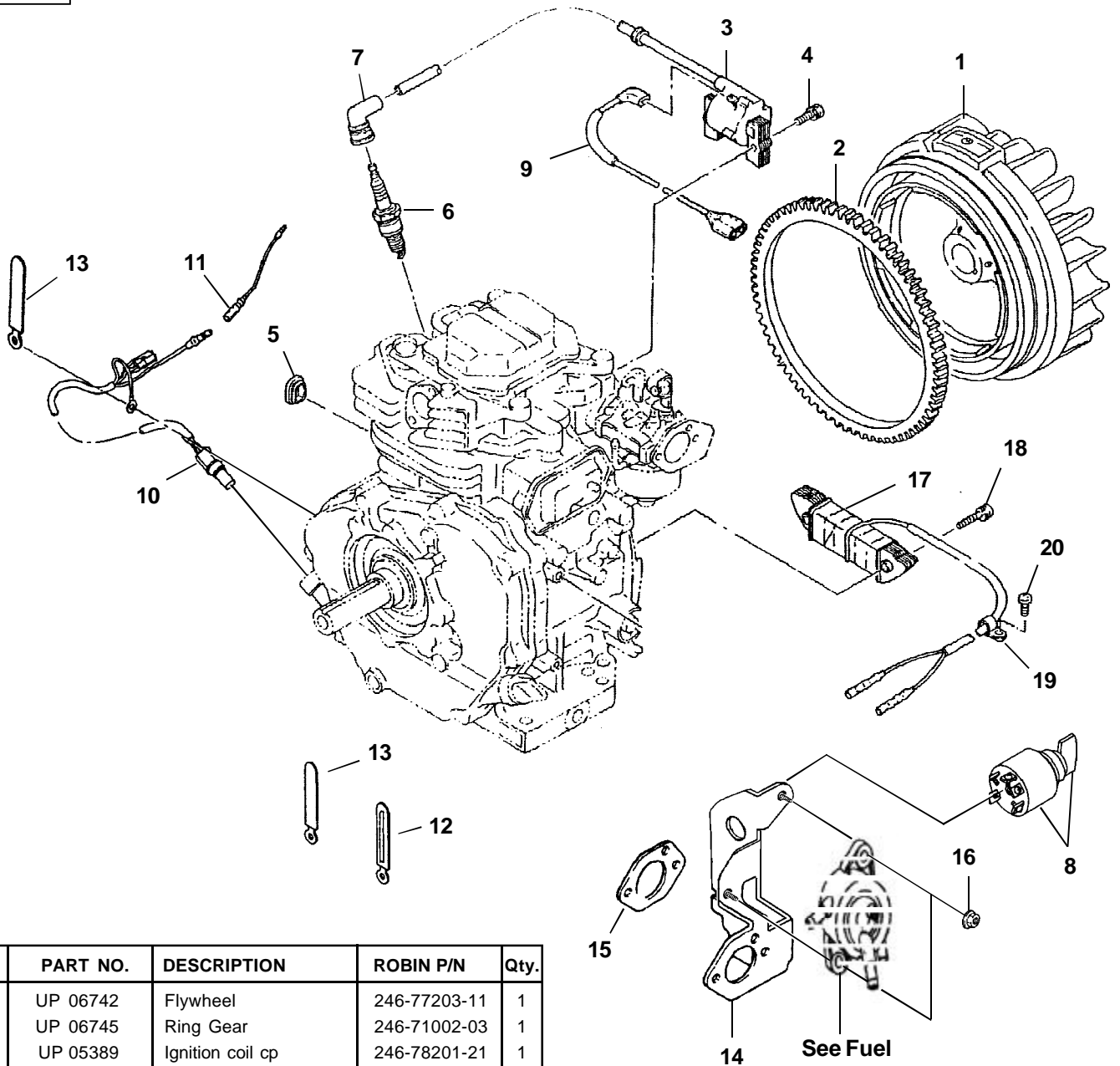
NO.	PART NO.	DESCRIPTION	ROBIN P/N	Qty.
1	UP 05388	Flywheel	246-77202-01	1
2	UP 05389	Ignition coil cp	246-78201-21	1
3	UP 03996	Bolt and washer Ay	001-14063-00	1
4	UP 05390	Grommet	227-75001-03	1
5	UP 05045	Spark plug	065-01404-80	1
6	UP 03351	Spark plug cap	065-50001-40	1
7	UP 04065	Switch AY	066-00003-61	1
8	UP 03347	Tapping screw	015-00400-90	2
9	UP 05391	Wire 3 cp	246-73103-01	1
10	UP 05392	Oil Sensor cp	KS3-11013-01	1
11	UP 05393	Wire 18 cp	246-73118-01	1
12	UP 04062	Clamp cp	056-60002-50	1
13	UP 05394	Clamp	056-60002-60	2
14	UP 05383	Bracket, Fuel Pump	246-65501-01	1
15	UP 05387	Gasket, Air Cleaner	234-26003-031	1
16	UP 03987	Nut	002-38060-00	2

Warranty Flat Rate		
Job	Description	Time/Hr.
GA11	... Ignition Module	0.4
GA17	... Ign. Switch/Lead	0.4
CF64	... Oil Sensor Test & Replace	0.5

Torque Specs			
Item No.	In/Lbs	Nm	Required Loctite
3	15-20	1.7-2.3	
5	166-195	18.8-22.0	

LRE5550

IGNITION



NO.	PART NO.	DESCRIPTION	ROBIN P/N	Qty.
1	UP 06742	Flywheel	246-77203-11	1
2	UP 06745	Ring Gear	246-71002-03	1
3	UP 05389	Ignition coil cp	246-78201-21	1
4	UP 03996	Bolt and washer Ay	001-14063-00	1
5	UP 05390	Grommet	227-75001-03	1
6	UP 05045	Spark plug	065-01404-80	1
7	UP 03351	Spark plug cap	065-50001-40	1
8	UP 04065	Switch AY	066-00003-61	1
9	UP 05391	Wire 3 cp	246-73103-01	1
10	UP 05392	Oil Sensor cp	KS3-11013-01	1
11	UP 05393	Wire 18 cp	246-73118-01	1
12	UP 04062	Clamp cp	056-60002-50	1
13	UP 05394	Clamp	056-60002-60	2
14	UP 06743	Bracket, Fuel Pump	246-65502-01	1
15	UP 05387	Gasket, Air Cleaner	234-26003-031	1
16	UP 03987	Nut	002-38060-00	2
17	UP 06744	Charging Coil	246-79201-01	1
18	UP 04497	Screw & Washer AY	004-31060-80	2
19	UP 03349	Clamp	206-75501-01	1
20	UP 04497	Screw	004-31060-80	1

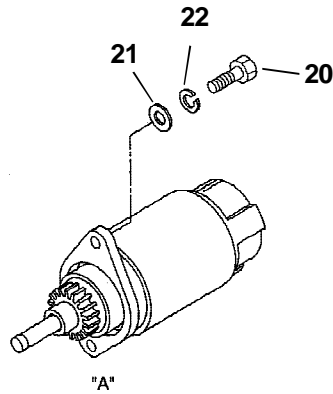
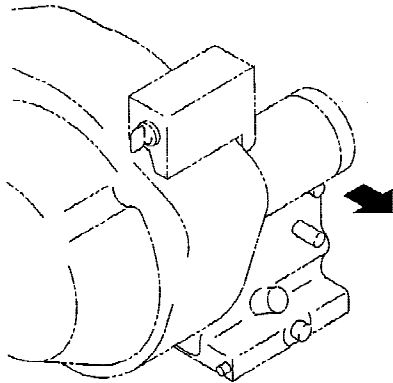
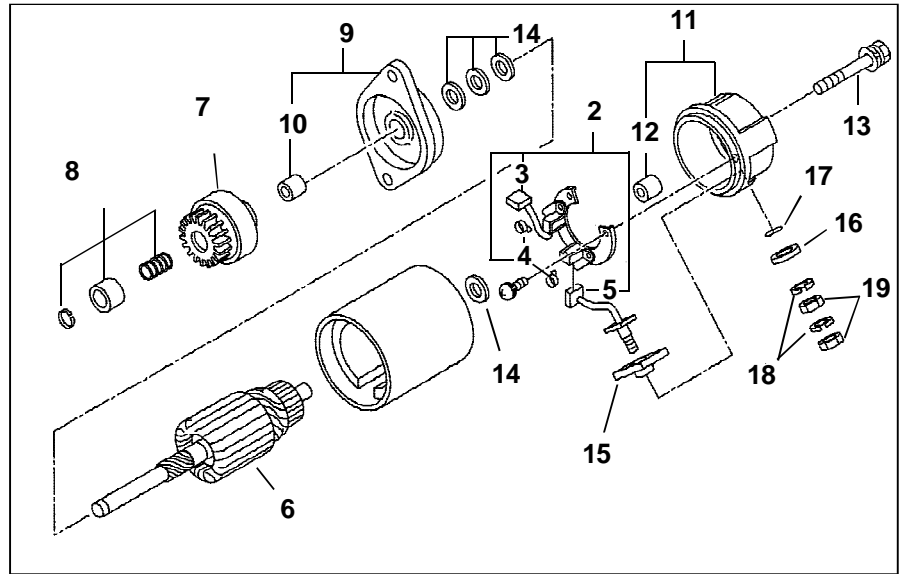
Warranty Flat Rate		
Job	Description	Time/Hr.
GA11	... Ignition Module	0.4
GA17	... Ign. Switch/Lead	0.4
CF64	... Oil Sensor Test & Replace	0.5

Torque Specs			
Item No.	In/Lbs	Nm	Required Loctite
4	15-20	1.7-2.3	
6	166-195	18.8-22.0	

9/2/12/000

LRE5550

ELECTRIC MOTOR

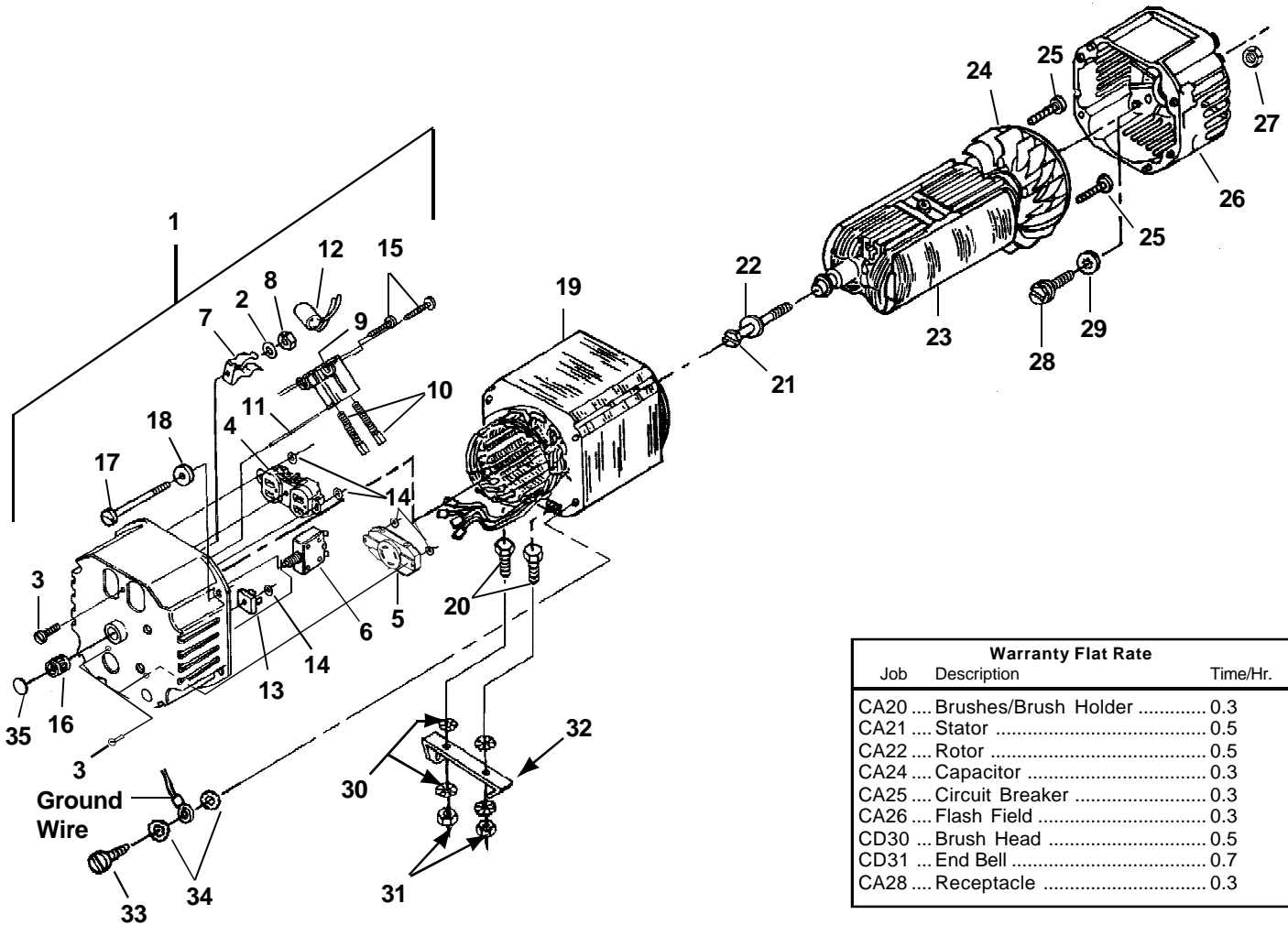


NO.	PART NO.	DESCRIPTION	ROBIN P/N	Qty.
1	• UP 06746	Starting motor assy	224-70502-00	1
2	• UP 05025	Holder assy, brush	235-70530-08	1
3	UP 05023	Brush	235-70535-08	1
4	UP 05024	Spring, brush	235-70545-08	2
5	UP 05031	Brush (-)	235-70540-08	1
6	UP 05027	Armature assy	235-70550-08	1
7	UP 06747	Pinion assy	224-70551-08	1
8	UP 06748	Pinion stopper set	224-70553-08	1
9	• UP 05030	Front cover assy	246-70500-08	1
10	UP 05037	Front metal	214-70560-08	1
11	• UP 05032	Rear cover assy	246-70505-08	1
12	UP 05033	Case metal	113-70510-08	1
13	UP 05035	Through bolt	235-70575-08	2
14	UP 05036	Washer kit	235-70555-08	1
15	UP 05038	Bushing	235-70565-08	1
16	UP 05039	Bushing	235-70566-08	1
17	UP 05040	O ring	246-70580-08	1
18	UP 04503	Spring Washer	003-20060-00	2
19	UP 03299	Nut	002-27060-00	2
20	UP 05041	Bolt, starter	214-79007-01	2
21	UP 05042	Washer	003-10080-00	2
22	UP 05043	Spring washer	003-20080-00	2

Warranty Flat Rate		
Job	Description	Time/Hr.
CG10 ... Starter Assembly	Replace 0.3

LR5550
LRE5550

BRUSH HEAD - GENERATOR



Warranty Flat Rate		
Job	Description	Time/Hr.
CA20	Brushes/Brush Holder	0.3
CA21	Stator	0.5
CA22	Rotor	0.5
CA24	Capacitor	0.3
CA25	Circuit Breaker	0.3
CA26	Flash Field	0.3
CD30	Brush Head	0.5
CD31	End Bell	0.7
CA28	Receptacle	0.3

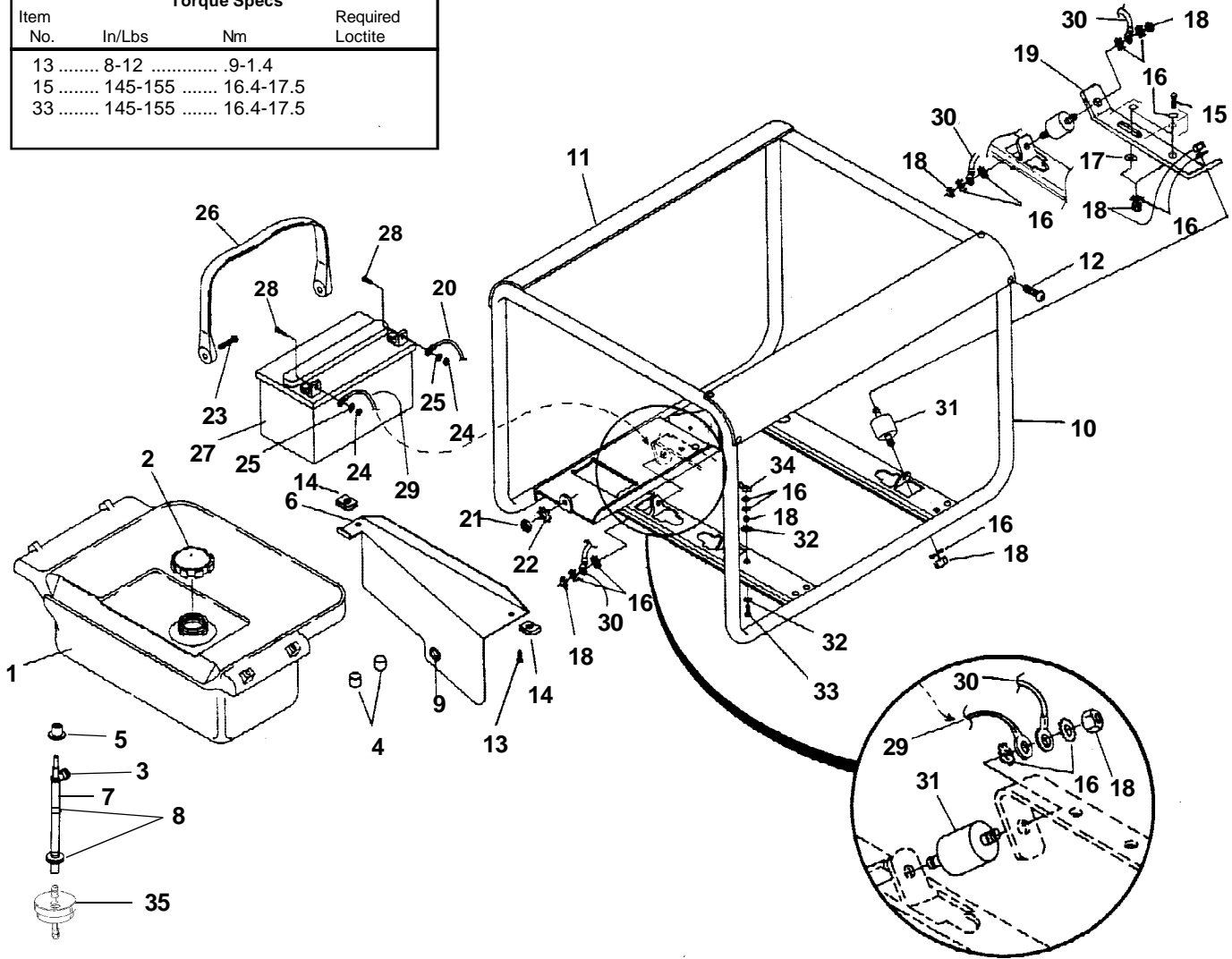
NO.	PART NO.	DESCRIPTION	Qty.	NO.	PART NO.	DESCRIPTION	Qty.
1	• A 06923	COMPLETE BRUSH HEAD	1	18	UP 03418	WASHER-Flat	4
2	83004	WASHER-Lock (ext.)	1	19	A 02795 BS	STATOR	1
3	80630	SCREW-Mach. Pan Hd. (6-32 X 1/2")	3	20	UP 03381	SCREW- Hex Hd. (5/16-18 X 3/4")	2
4	UP 03498	RECEPTACLE-Duplex (Nema 5-20R)	1	21	UP 03425	BOLT-Rotor	1
5	UP 03478	RECEPTACLE-Locking (120V/240V) (Nema L14-20R)	1	22	UP 03407	WASHER-Lock (5/16")	1
6	UP 03489	BREAKER-Circuit (20 amp.)	2	23	A 02798 AS	ROTOR	1
7	02435	CLIP-Spring Cap	1	24	•UP 03737	FAN-Generator	1
8	81002	NUT-Hex (6-32)	1	25	UP 03403	SCREW-Pan Hd. (6-19 X 3/4")	4
9	UP 03449	BRUSH HOLDER	1	26	02026 9	END BELL	1
10	•UP 03736	BRUSH & RETAINER KIT	1	27	UP 03400	NUT-Hex (1/4-20)	4
11	02857	PIN	1	28	UP 03390	SCREW-Hex Hd. (5/16-24 X 3/4")	4
12	A 02860	CAPACITOR (w/Lead)	1	29	UP 03412	WASHER-Lock	4
13	95672	RECTIFIER	1	30	UP 03413	WASHER-Lock (int./ext.)	4
14	UP 06528	WASHER-Shaft Retention	4	31	UP 03397	NUT-Hex (5/16-18)	2
15	UP 03403	SCREW-Pan Hd. (6-19 X 3/4)	2	32	UP 03459	SUPPORT-Engine	1
16	UP 03450	BEARING-Needle	1	33	UP 03406	SCREW-Taptite (10/24 X 3/4")	1
17	UP 03430	BOLT-Stator	4	34	83121	WASHER-Lock (int./ext.)	2
				35	UP 03437	PLUG-Expansion	1

9/21/2000

LR5550
LRE5550

FRAME - FUEL TANK

Item No.	Torque Specs		Required Loctite
	In/Lbs	Nm	
13	8-12	9-1.4	
15	145-155	16.4-17.5	
33	145-155	16.4-17.5	



NO.	PART NO.	DESCRIPTION	Qty.
1	A 04861 A	FUEL TANK (5 Gal.)	1
2	UP 03458	FUEL CAP (2 1/4" dia.)	1
3	UP 03464	VALVE-Fuel	1
4	UP 03465	PAD-Fuel Tank	4
5	UP 03480	BUSHING	1
6	UP 03461	SHIELD-Fuel Tank	1
7	UP 03486	FUEL LINE	1
8	UP 03434	CLIP-Hose	2
9	UP 03457	BUSHING-Snap In	1
10	UP 03386	ROLL CAGE	1
	UP 04804	ROLL CAGE (Electric Start)	1
11	UP 03460	BRACE-Tank Support	2
12	UP 03420	SCREW-Torx (10-24 X 1/2")	8
13	UP 03389	SCREW-Pan Hd. (8-32 X 3/8")	2
14	UP 03398	NUT-Hi Speed	2
15	UP 03386	SCREW-Hex Hd. (5/16-18 X 2")	4
16	UP 03413	WASHER-Lock (int.)	16
17	UP 03416	WASHER-Flat	1
18	UP 03397	NUT-Hex (5/16-18)	15
19	UP 03535	SUPPORT-Engine	1
20	UP 03507	CABLE-Battery (Red, Pos.)	1

NO.	PART NO.	DESCRIPTION	Qty.
21	UP 03394	NUT-Hex (10-32)	2
22	UP 03411	WASHER-Lock	2
23	UP 03378	SCREW-Shoulder (10-32 X 1/4")	2
24	UP 03399	NUT-Hex (10-32)	4
25	UP 03409	WASHER-Lock	4
26	UP 03455	STRAP-Battery Hold Down	1
27	UP 03494	BATTERY (12 Volt)	1
28	UP 03380	SCREW-Hex Hd. (1/4-20 X 5/8")	2
29	UP 03456	BATTERY CABLE (Black, to Ground)	1
30	UP 03511	GROUND STRAP	2
31	UP 03483	ISOLATOR	4
32	UP 03413	WASHER-Lock (ext./int.)	6
33	UP 03382	SCREW-Hex Hd. (5/16-18 X 1 1/2")	1
34	UP 03395	NUT-Wing	1
35	UP 03697	Fuel Filter	1

Warranty Flat Rate		
Job	Description	Time/Hr.
CF16	Fuel Tank	0.3
CS17	Roll Cage	0.5
CS18	Isolators	0.3

For Parts Call 606-678-9623 or 606-561-4983

NOTES

For Parts Call 606-678-9623 or 606-561-4983

For product information, technical help, dealer locations or parts ordering information visit our website at:
www.homelite.com

John Deere Consumer Products, Inc.

P.O. Box 7047
Charlotte, NC 28241
tel: USA only - 1-800-242-4672 / fax: 1-704-588-0926

**John Deere Consumer Products Limited
Produits Consommateurs John Deere Limitée**

1850-55e/th Avenue
Lachine, Québec, Canada H8T 3J5
tel: Canada only - 1-800-363-5715 / fax: Canada only - 1-800-665-1588

John Deere Consumer Products Europe B.V.

Haverstraat 24
2153 GB Nieuw Vennepe
The Netherlands
tel: +31-252-687342 / fax: +31-252-687993

John Deere Consumer Products SARL

Rue du Paradis - BP 231 - Ormes
45144 Saint-Jean-De-La-Ruelle
Cedex, France
tel: 33-23-874-2630 / fax: 33-23-870-0279

John Deere Limited

A.C.N. 008 671 725
166-170 Magnesium Drive
Crestmead, Queensland 4132
Australia
tel: 61-7-3802-3222 / fax: 61-7-3803-6555

John Deere Consumer Products, Inc.

www.mymowerparts.com

