

Homelite®

PARTS LIST



<i>Models</i>		
d3350b	UT10767,	A
d3350bc	UT10768,	A
z3350b	UT10759	
20av	UT10759A	
z3350bc	UT10771	
20av w/cc	UT10771A	
i3350b	UT10774,	A
	UT10840	
b2014	UT10797R,	UT10934
All American	UT10790	

d3850b	UT10769,	A
	UT10833	
d3850bc	UT10770,	A
	UT10824,	UT10837
	UT10838	
z3850b	UT10772	
23av	UT10772A,	UT10820
z3850bc	UT10773	
23av w/cc	UT10773A,	UT10829
	UT10822,	UT10823

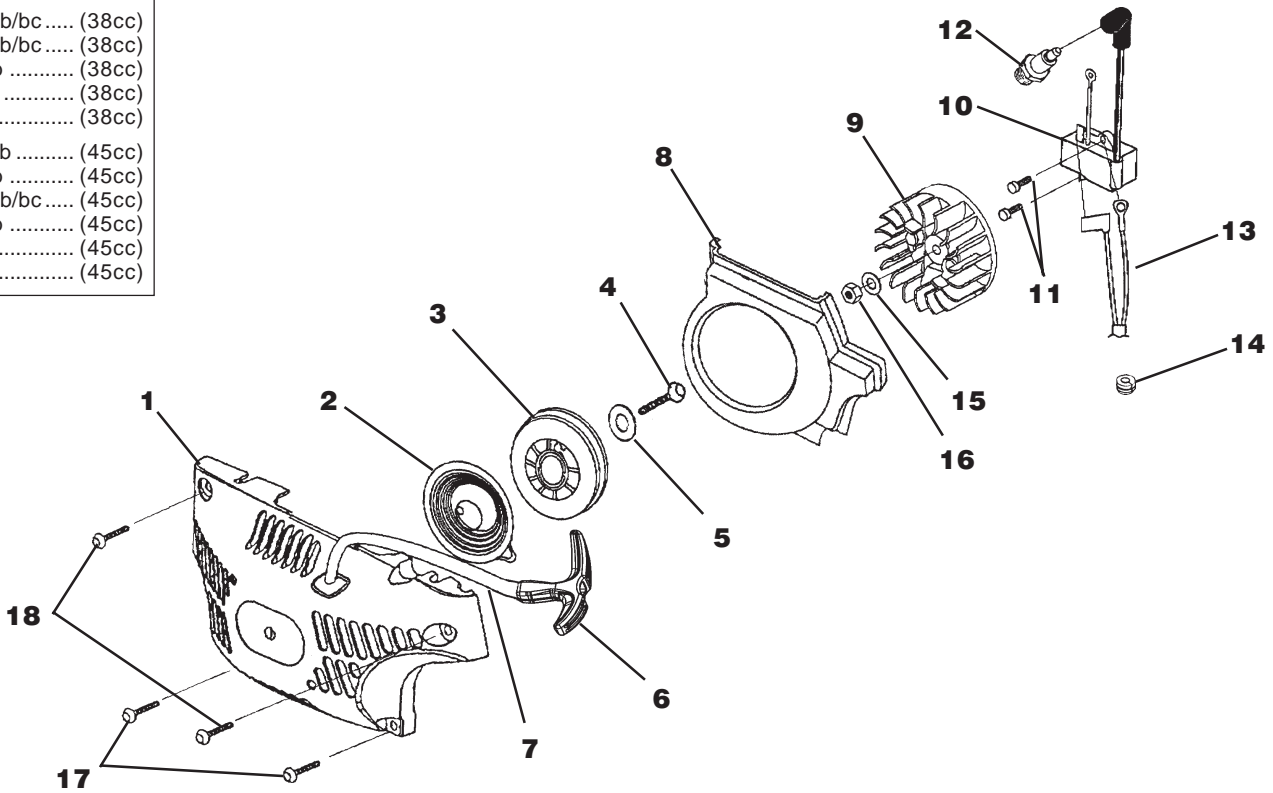
<i>Models</i>		
i3850b	UT10758,	A
b2316	UT10798R,	UT10936
b2316 w/cc	UT10798R1,	UT10937

B2718	UT10877,	UT10938
B2720	UT10875,	UT10939
B2720cc	UT10876,	UT10940
d4150b	UT10801	
d4150b w/cc	UT10802	
i4150b	UT10808,	UT10839
d4550b	UT10787,	UT10832
d4550bc	UT10826,	UT10836
i4550b	UT10807,	UT10834
25av	UT10803	
25av w/cc	UT10804	
27av	UT10805	
27av	UT10805,	UT10831
27av w/cc	UT10825,	UT10827,
	UT10830,	UT10835

P/N PS 05012

STARTER - IGNITION

d3350b/bc.....	(33cc)
z3350b/bc.....	(33cc)
i3350b.....	(33cc)
b2014.....	(33cc)
20av.....	(33cc)
d3850b/bc.....	(38cc)
z3850b/bc.....	(38cc)
i3850b.....	(38cc)
b2316.....	(38cc)
23av.....	(38cc)
d4150b.....	(45cc)
i4150b.....	(45cc)
d4550b/bc.....	(45cc)
i4550b.....	(45cc)
25av.....	(45cc)
27av.....	(45cc)



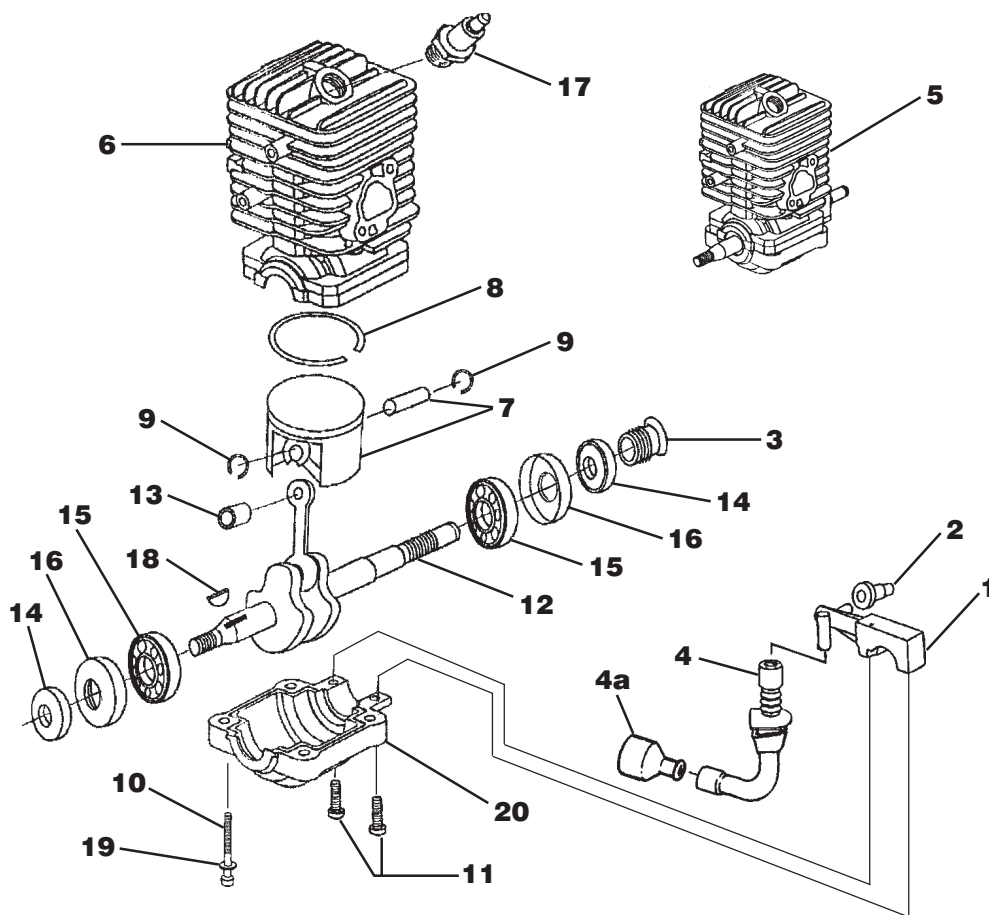
NO.	PART NO.	DESCRIPTION	QTY.
1	• A 08679 A	Starter Kit	1
2	UP 04092	Spring & Container	1
3	UP 05460	Pulley, Starter	1
4	UP 04237	Screw, Thread Form (10-14 x 5/8")	1
5	UP 04089	Washer, Retaining	1
6	UP 04216	Grip, Starter	1
7	UP 03911	Rope, Starter 46"	1
8	UP 04192	Baffle, Fan Housing	1
9	UP 04242	Rotor & Starter Pawl	1
10	• A 08676 A	Ignition Kit (33cc models)	1
	UP 05851	Ignition Kit	1
11	UP 04086	Screw, Thread Form (8-32 x 5/8")	2
12	UP 04093	Spark Plug	1
13	UP 04222	Ignition Switch Harness	1
14	UP 04215	Grommet, Wire Harness (Split)	1
15	UP 04241	Washer, Flat	1
16	UP 04081	Nut, Jam	1
17	UP 04236	Screw, Truss Hd. (10-14 x 7/8")	2
18	UP 04237	Screw, Truss Hd. (10-14 x 5/8")	2

Torque Specs			
Item No.	In/Lbs	Nm	Required Loctite
4.....	30-40.....	3.4-4.5	
11.....	30-40.....	3.4-4.5	
12.....	120-180.....	13.6-20.3	
16.....	100-150.....	11.3-16.9	
17.....	30-40.....	3.4-4.5	
18.....	30-40.....	3.4-4.5	

Warranty Flat Rate		
Job	Description	Time/Hr.
FA11 ...	Solid State Module	0.3
FA12 ...	Ground Wire Harness	0.3
FG10 ...	Starter Assy	0.3

ENGINE INTERNAL - OIL PUMP

d3350b/bc.....	(33cc)
z3350b/bc.....	(33cc)
i3350b.....	(33cc)
b2014.....	(33cc)
20av.....	(33cc)
d3850b/bc.....	(38cc)
z3850b/bc.....	(38cc)
i3850b.....	(38cc)
b2316.....	(38cc)
23av.....	(38cc)
d4150b.....	(45cc)
i4150b.....	(45cc)
d4550b/bc.....	(45cc)
i4550b.....	(45cc)
25av.....	(45cc)
27av.....	(45cc)



NO.	PART NO.	DESCRIPTION	QTY.
1	• UP 06602	Oil Pump Kit	1
2	UP 04185	Grommet, Oil Outlet	1
3	UP 04188	Left Hand Worm	1
4	UP 04048	Tube, Oil Intake	1
4 a	UP 04054	Oil Filter	1
5	• UP 03696	Short Block, Complete (33cc)	1
	UP 03853	Short Block, Complete (38cc)	1
	UP 04168	Short Block, Complete (45cc)	1
6	• A 08666	Cylinder Kit (33cc)	1
	A 08667	Cylinder Kit (38cc)	1
	UP 00129	Cylinder Kit (45cc)	1
	UP 04183	Gasket, Muffler (Not Shown)	1
	UP 04184	Gasket, Heat Dam (Not Shown)	1
	UP 04094	Gasket, Carburetor (Not Shown)	1
7	• UP 06971	Piston & Pin (33cc)	1
8	UP 04177	Piston Ring (33cc)	1
9	UP 04051	Ring, Retaining	2
7	• UP 06972	Piston & Pin (38cc)	1
8	UP 04190	Piston Ring (38cc)	1
9	UP 04051	Ring, Retaining	2
7	• UP 00130	Piston & Pin (45cc)	1
8	UP 04231	Piston Ring (45cc)	1
9	UP 04051	Ring, Retaining	2
10	UP 04083	Screw, Cap-Socket Hd. (10-24 x 2")	4
11	UP 03898	Screw, Pan Hd., Plastite (8-16 x 5/8")	2
12	• UP 03587	Crankshaft & Rod Assy (33 & 38cc)	1
	• UP 00131	Crankshaft & Rod Assy (45cc)	1
13	UP 04174	Bearing, Needle	1
14	UP 04047	Shaft Seal	2
15	• UP 04176	Bearing & Rubber Case	2
16	UP 04046	Rubber Case	2

NO.	PART NO.	DESCRIPTION	QTY.
17	UP 04093	Spark Plug	1
18	UP 03874	Woodruff Key	1
19	UP 04087	Washer	4
20	UP 04172	Lower Crankcase (33 & 38cc)	1
	UP 04232	Lower Crankcase (45cc)	1

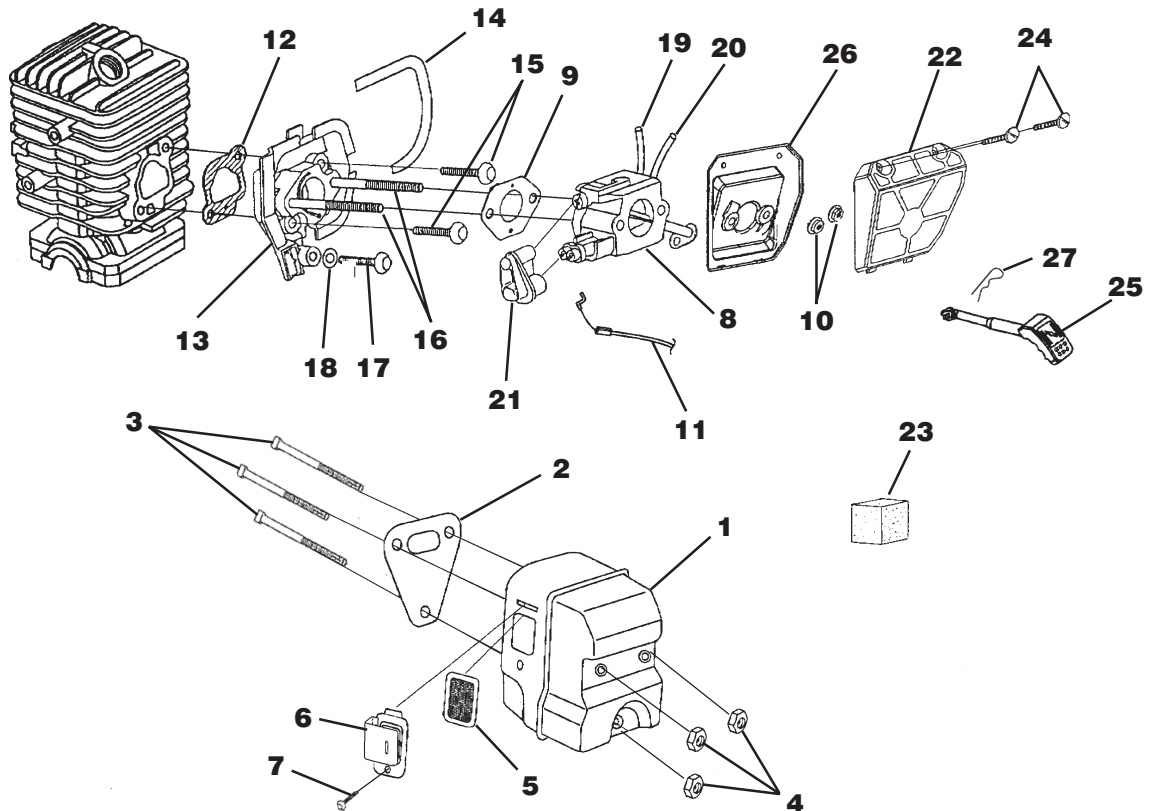
Torque Specs			
Item No.	In/Lbs	Nm	Required Loctite
10	65-75	7.3-8.5	262 Red
11	15-20	1.7-2.3	
17	120-180	13.6-20.3	

Warranty Flat Rate		
Job	Description	Time/Hr.
FE11	Automatic Oiler	1.0
FB10	Partial Engine Rebuild	1.0
FB20	Short Block	1.0
FB15	C/Case Seal (per side)	0.6

3/16/2001

CARBURETOR - MUFFLER - AIR FILTER

d3350b/bc	(33cc)
z3350b/bc	(33cc)
i3350b	(33cc)
b2014	(33cc)
20av	(33cc)
d3850b/bc	(38cc)
z3850b/bc	(38cc)
i3850b	(38cc)
b2316	(38cc)
23av	(38cc)
d4150b	(45cc)
i4150b	(45cc)
d4550b/bc	(45cc)
i4550b	(45cc)
25av	(45cc)
27av	(45cc)



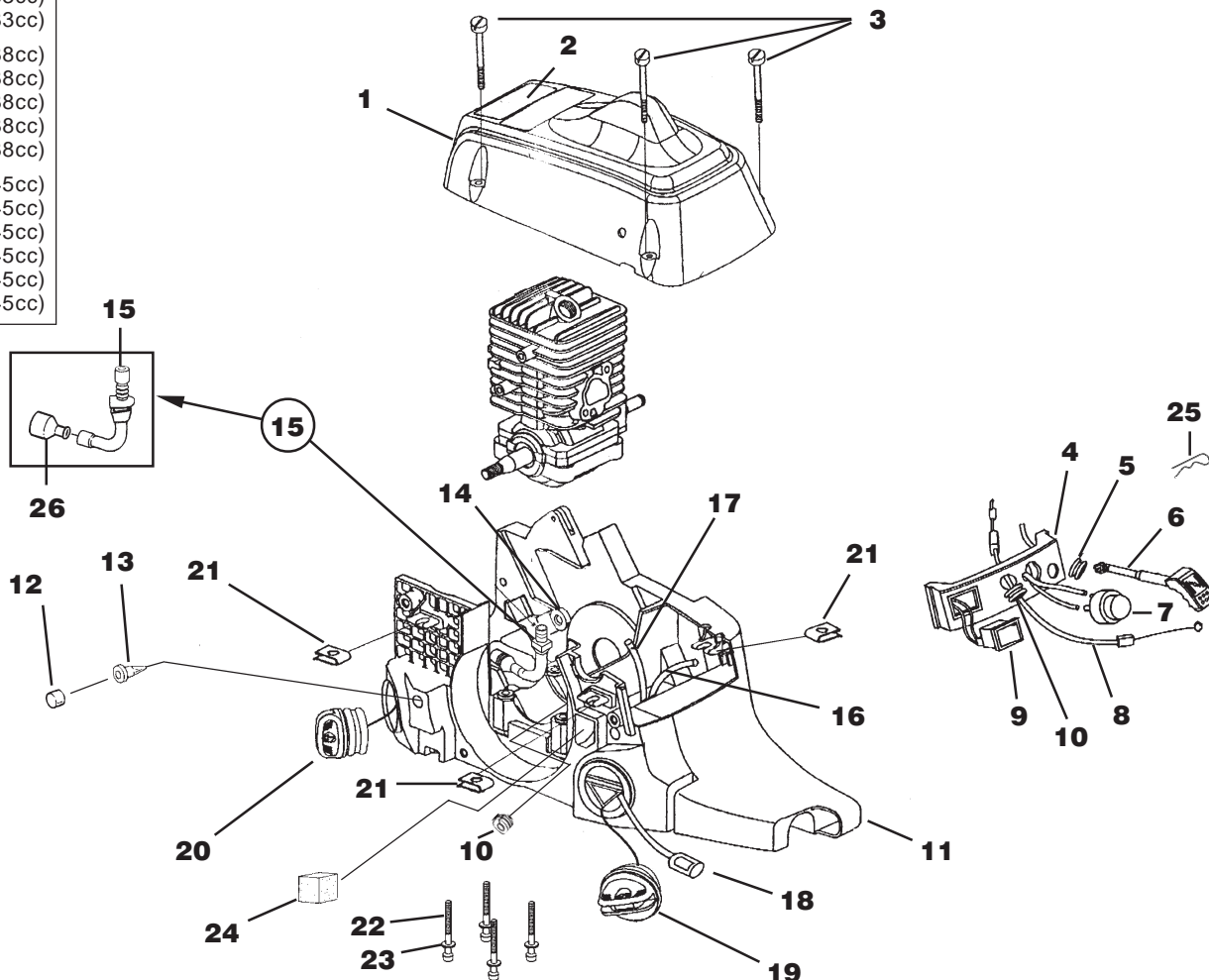
NO.	PART NO.	DESCRIPTION	QTY.
1	•UP 06752	Muffler Kit (33/38cc)	1
	•UP 00126	Muffler Kit (45cc)	1
2	UP 04183	Muffler Gasket	1
3	UP 04049	Screw-Square Hd.	3
4	UP 04059	Nut-Locking Hex (10-32)	3
5	UP 04203	Screen, Spark	1
6	UP 04204	Deflector, Muffler (33/38cc)	1
	UP 04169	Deflector, Muffler (45cc)	1
7	UP 04244	Screw	1
8	•UP 06737	Carburetor Assembly (33 & 38cc)	1
	•UP 00125	Carburetor Assy (45cc)	1
	• A 09160	Carburetor Assy (i3350b, i3850b only)	1
9	UP 04094	Carburetor Gasket	1
10	UP 04217	Flange Nut (10-24)	2
11	UP 04218	Throttle Cable	1
12	UP 04184	Gasket, Heat Dam	1
13	UP 04173	Heat Dam	1
14	UP 04191	Seal, Heat Dam	1
15	UP 04084	Screw, Truss Hd. Taptite (10-24 x 7/8")	2
16	UP 04189	Screw, Carburetor	2
17	UP 03897	Screw, Thread Form (10-14 x 1/2")	1
18	12789	Washer, Retaining	1
19	UP 04211	Fuel Line (Tank to Carburetor 8 1/2")	1
20	UP 04209	Fuel Line (Carburetor to Purge Bulb 4")	1
21	UP 04171	Carburetor Grommet	1
	•UP 06753	Air Filter Kit	1
22	UP 04533	Air Filter Cover	1
23	UP 04208	Pre Filter (In engine housing)	1
24	UP 04235	Screw-Slotted Pan Hd. (8-16 x 5/8")	2
25	UP 04213	Rod, Choke	1
26	UP 04178	Air Filter Plate	1
27	UP 04227	Spring Clip (Choke Rod)	1

Item No.	Torque Specs		Required Loctite
	In/Lbs	Nm	
4	50-60	5.6-6.7	
10	30-40	3.4-4.5	
15	45-55	5.0-6.2	
17	30-40	3.4-4.5	
24	15-20	1.7-2.3	

Warranty Flat Rate		
Job	Description	Time/Hr.
FB18	Muffler	0.3
FF10	Carb. Replace	0.4
FF12	Fuel Line	0.3
FF44	Air Filter System	0.2
FF17	Heat Dam	0.6
FF15	Choke	0.3
FF13	Throttle Cable	0.5

ENGINE HOUSING - FUEL TANK - OIL TANK

d3350b/bc.....	(33cc)
z3350b/bc.....	(33cc)
i3350b.....	(33cc)
b2014.....	(33cc)
20av.....	(33cc)
d3850b/bc.....	(38cc)
z3850b/bc.....	(38cc)
i3850b.....	(38cc)
b2316.....	(38cc)
23av.....	(38cc)
d4150b.....	(45cc)
i4150b.....	(45cc)
d4550b/bc.....	(45cc)
i4550b.....	(45cc)
25av.....	(45cc)
27av.....	(45cc)



NO.	PART NO.	DESCRIPTION	QTY.
1	A 08692	Cylinder Cover Kit	1
2	UP 04212	Safety Decal	1
3	UP 04219	Screw-Slotted Pan Hd.	3
4	UP 04193	Control Panel	1
5	UP 04052	Grommet	1
6	UP 04213	Rod, Choke	1
7	UP 04033	Bulb, Air Purge	1
8	UP 04218	Throttle Cable	1
9	UP 04197	Switch, Rocker	1
10	UP 04215	Grommet - Split	2
11	A 08892	Engine Housing	1
12	UP 04205	Element, Filter (Bronze)	2
13	UP 04045	Duck Bill Valve	2
14	UP 04185	Oil Outlet Grommet	1
15	UP 04048	Oil Intake Tube	1
16	UP 04210	Rubber Tubing (5 1/2")	1
17	UP 04211	Rubber Tubing (8 1/2")	1
18	UP 03871	Fuel Filter	1
19	DA 07590	Fuel Cap w/ Retainer	1
20	DA 07591	Oil Cap w/ Retainer	1
	UP 04054	Oil Filter (Not Shown)	1
	UP 04180	Guide Bar Bolt (Not Shown)	2
21	UP 04221	Speed Nut ("U-Type")	3
22	UP 04083	Screw, Cap-Socket Hd. (10-24 x 2")	4
23	UP 04087	Washer	4
24	UP 04208	Pre Filter	1
25	UP 04227	Spring Clip (Choke Rod)	1
26	UP 04054	Oil Filter	1

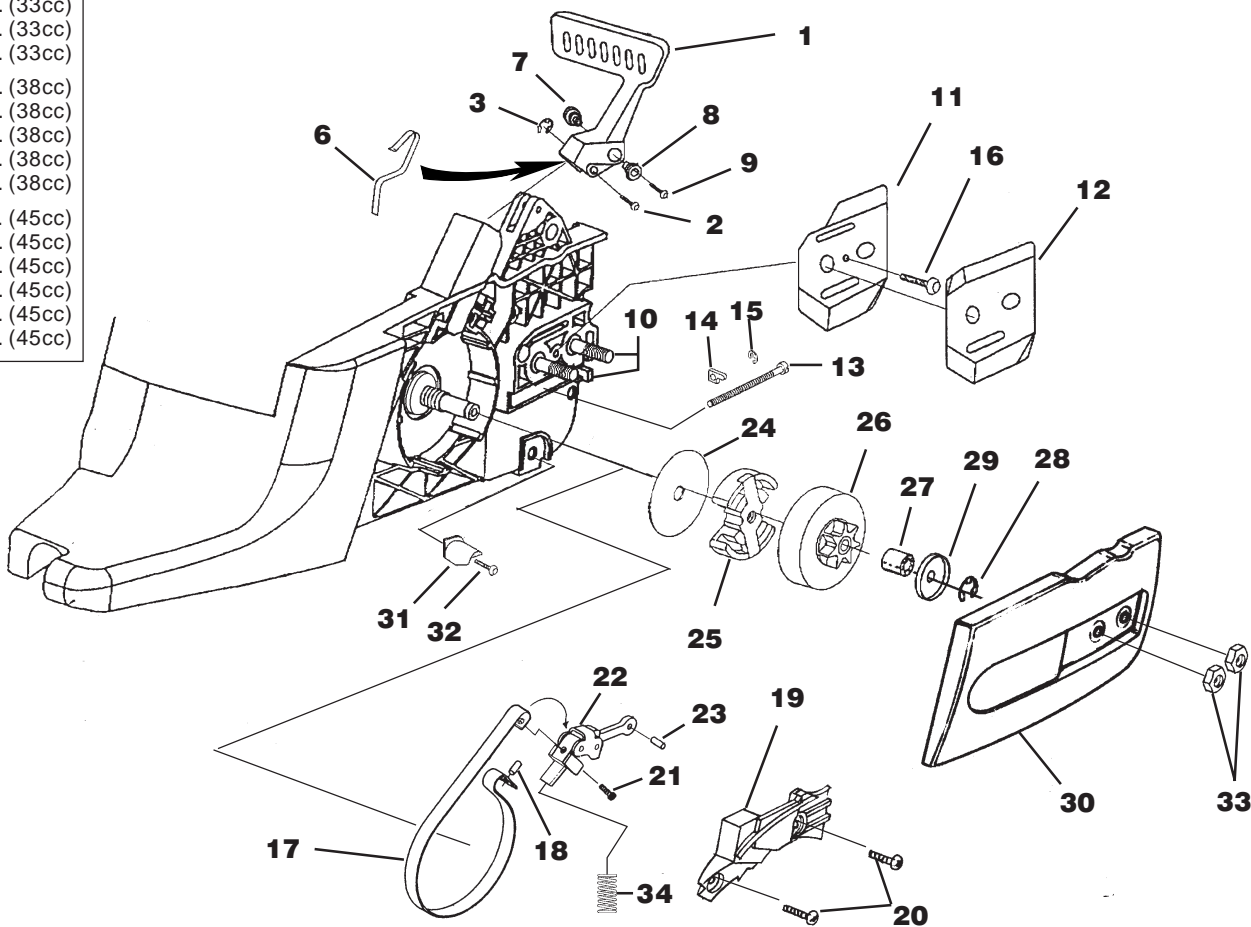
Item No.	Torque Specs		Required Loctite
	In/Lbs	Nm	
3	15-25	1.7-2.8	
22	65-76	7.3-8.5	

Warranty Flat Rate		
Job	Description	Time/Hr.
FD12 ...	Eng. Hsg.	1.5
	Oil Tank,	
	Use Job FD12.....	1.5
	Fuel Tank,	
	Use Job FD12.....	1.5
FD90 ...	Eng. Cyl. Cover	0.3
FF14 ...	Primer Bulb Assy.	0.3
FF15 ...	Choke Rod	0.3
FE12 ...	Oil Line	0.5
FA17 ...	Ignition Switch	0.3
FF12 ...	Fuel Line	0.3
FF13 ...	Throttle Cable	0.5

3/16/2001

CLUTCH - CHAIN BRAKE - DRIVE CASE COVER

- d3350b/bc (33cc)
- z3350b/bc (33cc)
- i3350b (33cc)
- b2014 (33cc)
- 20av (33cc)
- d3850b/bc (38cc)
- z3850b/bc (38cc)
- i3850b (38cc)
- b2316 (38cc)
- 23av (38cc)
- d4150b (45cc)
- i4150b (45cc)
- d4550b/bc (45cc)
- i4550b (45cc)
- 25av (45cc)
- 27av (45cc)



NO.	PART NO.	DESCRIPTION	QTY.
1	•UP 06568	Hand Guard Kit	1
2	UP 04214	Hand Guard Actuating Pin	1
3	UP 04054	Retaining Ring	1
4	UP 04207	Hand Guard Link	1
5	UP 04090	Roll Pin (Non-chain brake units-not shown)	1
6	UP 04224	Spring, Handguard	1
7	UP 04202	Pivot, L.H.	1
8	UP 04201	Pivot, R.H.	1
9	UP 04240	Screw, Hex Socket Hd. (8-32 x 5/8")	1
10	UP 04180	Guide Bar Bolt	2
11	•UP 06966	Guide Bar Adjusting Kit	1
12	UP 04206	Plate, Guide Bar	1
13	UP 04085	Plate, Guide Bar	1
14	UP 04187	Screw, Guide Bar Adjusting	1
15	UP 04186	Pin, Guide Bar Adjusting	1
16	UP 04056	Ring, Retaining	1
17	UP 04082	Screw, Thread Form (6-19 x 1/2")	1
18	• A 08680 A	Chain Brake Kit	1
19	UP 04309	Cover, Chain Brake	1
20	UP 04181	Pin, Roll	1
21	UP 04082	Screw, Pan Hd. (6-19 x 1/2")	1
22	UP 04239	Screw, Pan Hd. (8-16 x .320)	1
23	UP 04223	Chain Brake Link	1
24	UP 04090	Pin, Roll	1
25	UP 04182	Thrust Washer	1
26	UP 06727	Clutch & Hardware	1
27	•UP 06967	Sprocket, Drum (3/8 Pitch)	1
28	•UP 04560	Sprocket, Drum (.325 Pitch) (i3850b & 45cc only)	1
29	UP 04175	Bearing, Needle	1
30	UP 04228	Ring, Retaining	1
31	UP 04179	Washer, Cupped	1

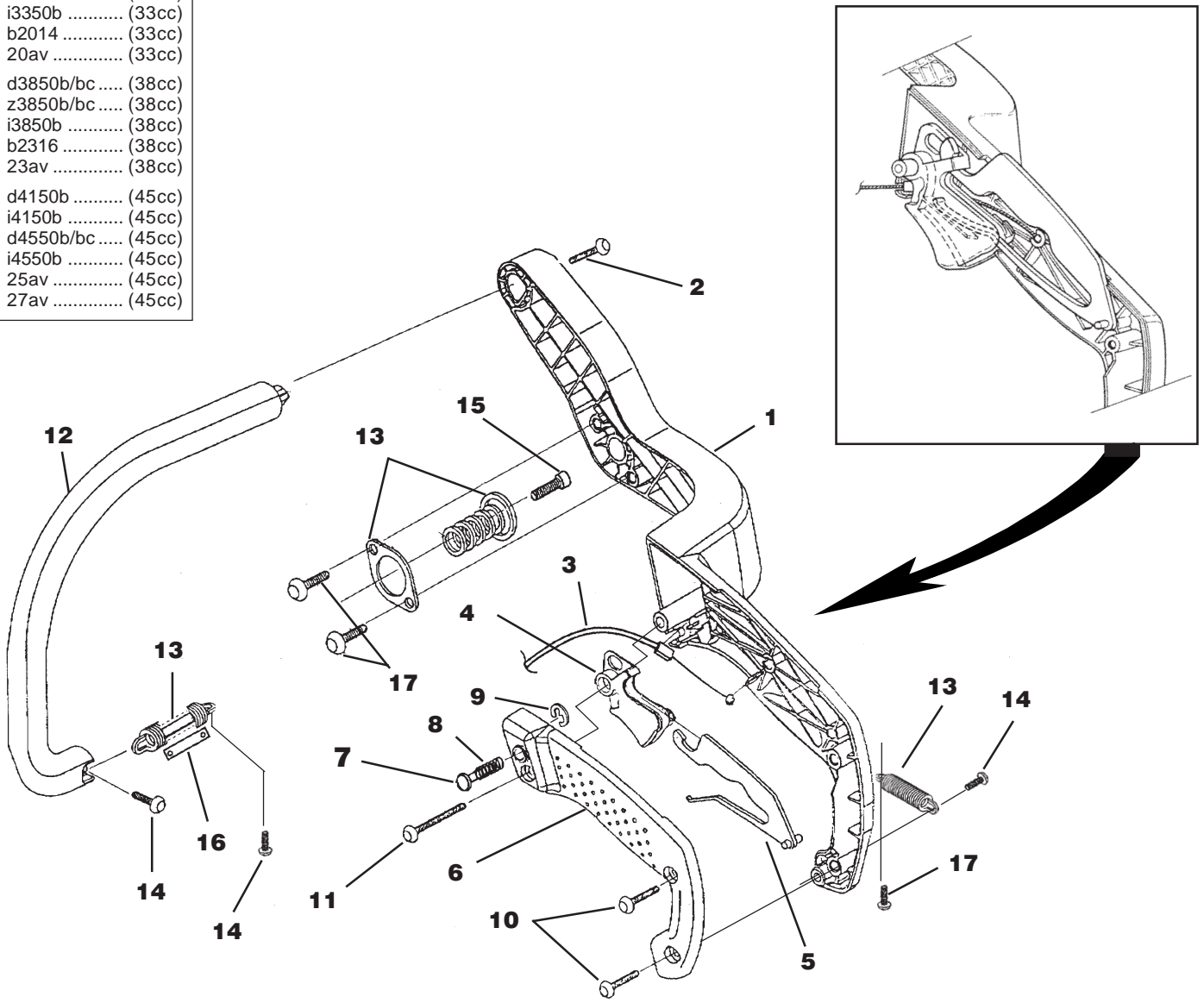
NO.	PART NO.	DESCRIPTION	QTY.
30	•UP 06975	Drive Case Cover	1
31	UP 04088	Stop, Chain	1
32	UP 03900	Screw, Thread Form (10-14 x 3/4")	1
33	UP 04058	Nut, Hex	2
34	UP 04032	Spring, Compression	1

Torque Specs			
Item No.	In/Lbs	Nm	Required Loctite
9	25-35	2.8-3.9	
16	8-18	.9-2.0	
20	10-20	1.1-2.3	
21	20-30	2.3-3.4	
25	130-180	14.7-20.3	
32	30-50	3.4-5.6	
33	Hand Tight		

Warranty Flat Rate		
Job	Description	Time/Hr.
FC10	Chain Assy.	0.3
FD10	Clutch Brake	0.4
FK10	Guide Bar, Shims Adj.	0.3
FK11	Guide Bar Studs	1.0
FD97	Hand Guard	0.3
FC12	Sprocket/Retaining Ring	0.3

HANDLES

- d3350b/bc (33cc)
- z3350b/bc (33cc)
- i3350b (33cc)
- b2014 (33cc)
- 20av (33cc)
- d3850b/bc (38cc)
- z3850b/bc (38cc)
- i3850b (38cc)
- b2316 (38cc)
- 23av (38cc)
- d4150b (45cc)
- i4150b (45cc)
- d4550b/bc (45cc)
- i4550b (45cc)
- 25av (45cc)
- 27av (45cc)



NO.	PART NO.	DESCRIPTION	QTY.
1	•UP 06977	Rear Handle Kit	1
2	UP 04234	Screw-Pan Hd. (12-14 x 1 1/2")	1
3	UP 04218	Throttle Cable	1
4	UP 04195	Trigger, Throttle	1
5	UP 04196	Throttle Lock Out	1
6	• A 08683	Handle Cover Kit	1
7	UP 04199	Throttle Lock Pin	1
8	UP 04226	Spring, Compression	1
9	UP 04050	Ring, Retainer	1
10	UP 03900	Screw, Thread Form (10-14 x 3/4")	2
11	UP 04238	Screw, Thread Form (10-14 x 1 3/8")	1
12	•UP 06973	Front Handle Kit	1
	UP 04234	Screw-Pan Hd. (12-14 x 1 1/2") (See No. 2 above)	1
13	• A 08677	Isolator Kit	1
14	UP 04237	Screw, Truss Hd. (10-14 x 5/8")	3
15	UP 04233	Screw, Truss Hd. (10-24 x 5/8")	1
16	UP 04200	Limitter, Isolator	1
17	UP 03897	Screw, Thread Form (10-14 x 1/2")	3

Item No.	Torque Specs		Required Loctite
	In/Lbs	Nm	
2	40-50	4.5-5.6	
10	30-40	3.4-4.5	
11	30-40	3.4-4.5	
14	30-40	3.4-4.5	
15	40-50	4.5-5.6	
17	30-40	3.4-4.5	

Warranty Flat Rate		
Job	Description	Time/Hr.
FD20	Handle Bar Assy.	0.3
FD24	Rear Handle Assy.	0.5
FF13	Throttle Cable/Trigger	0.5
FD96	Isolator Kit	0.4

3/16/2001

ACCESSORIES

3/8 pitch

12"
14"
16"
18"

Guide Bar (PowerTip)

PT 12371 MD (3/8")
PT 14371 MD (3/8")
PT 16371 MD (3/8")
PT 18371 MD (3/8")

Chain

H1 N7245 AH (3/8")
H1 N7252 AH (3/8")
H1 N7256 AH (3/8")
H1 N7262 AH (3/8")

.325 pitch

13"
15"
16"
18"
20"

PL13321 MA (.325)
PL15321 MA (.325)
PT16321 MA (.325)
PT18321 MA (.325)
PT20321 MA (.325)

D1 L7256 AH or D1 L7356 AH (.325)
D1 L7264 AH or D1 L7364 AH (.325)
D1 L7266 AH or D1 L7366 AH (.325)
D1 L7272 AH or D1 L7372 AH (.325)
D1 L7278 AH or D1 L7378 AH (.325)

Sealant Silicon PS 24823
Rubber tubing (10') UP06561
Wrench - Combination 09207
Digital Tachometer 18416
Grease, Multi-purpose 18453

Compression Tester 94194
Bit, Torx T27 UP07160
Carry Case UP04562
Bumper Spike Kit UP06732

For product information, technical help, dealer locations or parts ordering information visit our website at:
www.homelite.com.

**John Deere Consumer Products Limited
Produits Consommateurs John Deere Limitée**

1850-55e/th Avenue
Lachine, Québec, Canada H8T 3J5
tel: 1-514-636-5900 / fax: 1-514-636-9966

John Deere Consumer Products International B.V.

Haverstraat 24
2153 GB Nieuw Vennep
The Netherlands
tel: +31-252-687342 / fax: +31-252-687993

John Deere Limited

A.C.N. 008 671 725
166-170 Magnesium Drive
Crestmead, Queensland 4132
Australia
tel: 61-7-3802-3222 / fax: 61-7-3803-6555

**JOHN DEERE
WORLDWIDE COMMERCIAL & CONSUMER EQUIPMENT DIVISION**

4401 Bland Road, Suite 200
Raleigh, NC 27609

Phone 1-800-537-8233