

Homelite®

PARTS LIST

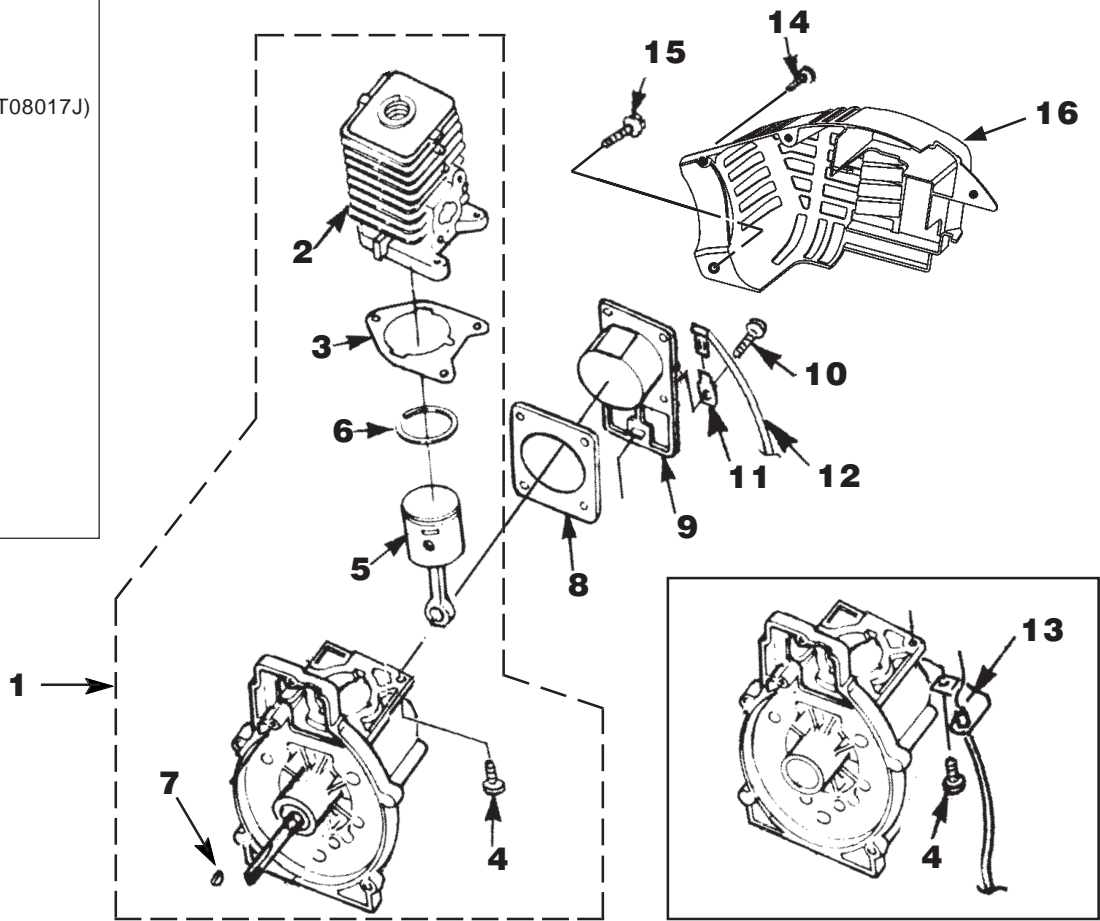
BLOWERS

D25B	UT08079,	
HB100	UT08011B,	C, D, E, F, G, H, J
HB180	UT08009A,	B, C, D, E, F
HB180-V	UT08010A,	B, C, D, E, F
HB180-VI	UT08016B,	C, D, E, F, G
HB180-VGK	UT08038,	A, B, C
HB25155	UT08068R,	AR
HB25150	UT08034R,	AR
HB25150V	UT08035R,	AR
HB251YV	UT08078R	
HB290	UT08037,	A, B
HB290-V	UT08041,	A
HB390	UT08023,	A, B, C, D
HB390-V	UT08024,	A, B, C, D
HB390-V	UT08031,	A, B, C
HB390-VI	UT08027,	A, B, C, D,
The Backpacker™	UT08017H,	J, K
BP250	UT08017B,	C, D, E, F, G
BP250I	UT08045A	
BP30185	UT08036R,	AR
BX90	UT08026,	A, B, C, D, E, F
BX90	UT08042	
Yard Broom™	UT08026G,	H, J, K,
Yardvark™	UT08074,	A, B, UT08077

P/N PS 05009

ENGINE INTERNAL

- D25B (25cc)
- BX90 (25cc)
- BP250 (30cc)
- BP250i (30cc)
- Backpacker™ ... (30cc)
- Backpacker™ ... (25cc)(UT08017J)
- BP30185 (30cc)
- HB100 (25cc)
- HB180 (25cc)
- HB180-V (25cc)
- HB180-VI (25cc)
- HB180-VGK (25cc)
- HB251YV (25cc)
- HB25150 (25cc)
- HB25150V (25cc)
- HB25155 (25cc)
- HB290 (25cc)
- HB290-V (25cc)
- HB390 (30cc)
- HB390-V (30cc)
- HB390-VI (30cc)
- Yard Broom™ (25cc)
- Yarkvark™ (25cc)



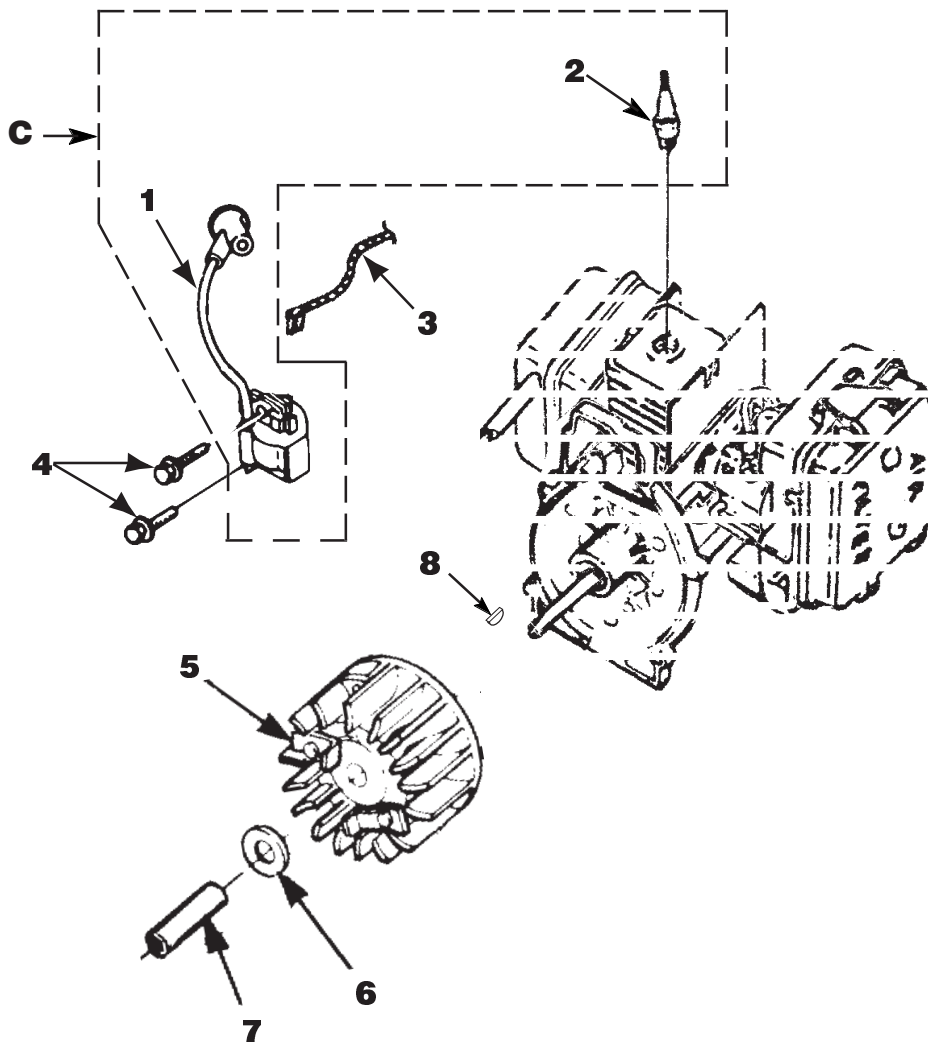
NO.	PART NO.	DESCRIPTION	QTY.
1	•UP 03121	SHORT BLOCK W/Rotor (30cc)	1
2	•UP 07146	30 CC CYLINDER KIT	1
3	UP 03857	GASKET-Cylinder *	1
4	UP 04345	SCREW, SEMS (12-24 x 3/4)	3
5	•UP 03366	30 CC PISTON & ROD	1
6	UP 03837	RING-Piston **	2
7	UP 03874	KEY-Woodruff	1
	UP 03817	GASKET-Muffler (Not Shown)	1
1	•UP 03123	SHORT BLOCK W/Rotor (25cc)	1
2	•UP 04136	25 CC CYLINDER KIT	1
3	UP 03857	GASKET-Cylinder	1
4	UP 04345	SCREW, SEMS (12-24 x 3/4)	3
5	•UP 00768	25 CC PISTON & ROD	1
6	UP 03838	RING-Piston	1
7	UP 03874	KEY-Woodruff	1
	UP 03817	GASKET-Muffler (Not Shown)	1
8	UP 04335	GASKET-Crankcase *	1
9	UP 04336	CRANKCASE COVER-Stamped Steel	1
10	UP 04295	SCREW, SEMS (10-24 x .56) * (Use with stamped steel c/case cover)	4
9	UP 03914	CRANKCASE COVER-Aluminum	1
10	UP 04277	SCREW, SEMS (10-24 x .810) * (Use with aluminum c/case cover)	4
11	UP 03834	TAB-Male	1
12	UP 04302	CABLE-Throttle w/Ignition Leads (BP250's, Backpacker & BP30185)	1

NO.	PART NO.	DESCRIPTION	QTY.
13	UP 04296	CABLE BRACKET (BP250's, Backpacker & BP30185)	1
14	UP 03893	SCREW-Thread Form. (#8 X 1/2")	3
15	UP 03900	SCREW-Thread Form. (#10 X 3/4")	6
16	UP 06522	SHROUD	1
	UP 06779	SHROUD-Flocked (HB180-VI, HB390-VI)	1

TORQUE SPECIFICATIONS			
Item No.	In/Lbs	Nm	Required Loctite
4	55-65	6.2-7.3	262 Red
8	55-65	6.2-7.3	262 Red
14	8-12	9-1.4	
15	20-30	2.3-3.4	

Warranty Flat Rate		
Job#	Description	Time/hr.
CB20	Short Block	1.0
CB10	Partial Eng. Rebuild	1.0
CD22	Engine Shroud	.3
CB21	Crankcase Cover	.3
CB20	Short Block (BP250's & Backpacker)	1.3
CB10	Partial Eng. Rebuild (BP250's & Backpacker)	1.3

** NOTE: Ring for single ring 30CC piston is 04933.
* Also included with Short block & Cylinder Kits.



D25B	(25cc)
BX90	(25cc)
BP250	(30cc)
BP250i	(30cc)
Backpacker™ ..	(30cc)
Backpacker™ ..	(25cc)(UT08017J)
BP30185	(30cc)
HB100	(25cc)
HB180	(25cc)
HB180-V	(25cc)
HB180-VI	(25cc)
HB180-VGK	(25cc)
HB251YV	(25cc)
HB25150	(25cc)
HB25150V	(25cc)
HB25155	(25cc)
HB290	(25cc)
HB290-V	(25cc)
HB390	(30cc)
HB390-V	(30cc)
HB390-VI	(30cc)
Yard Broom™ ..	(25cc)
Yarkvark™	(25cc)

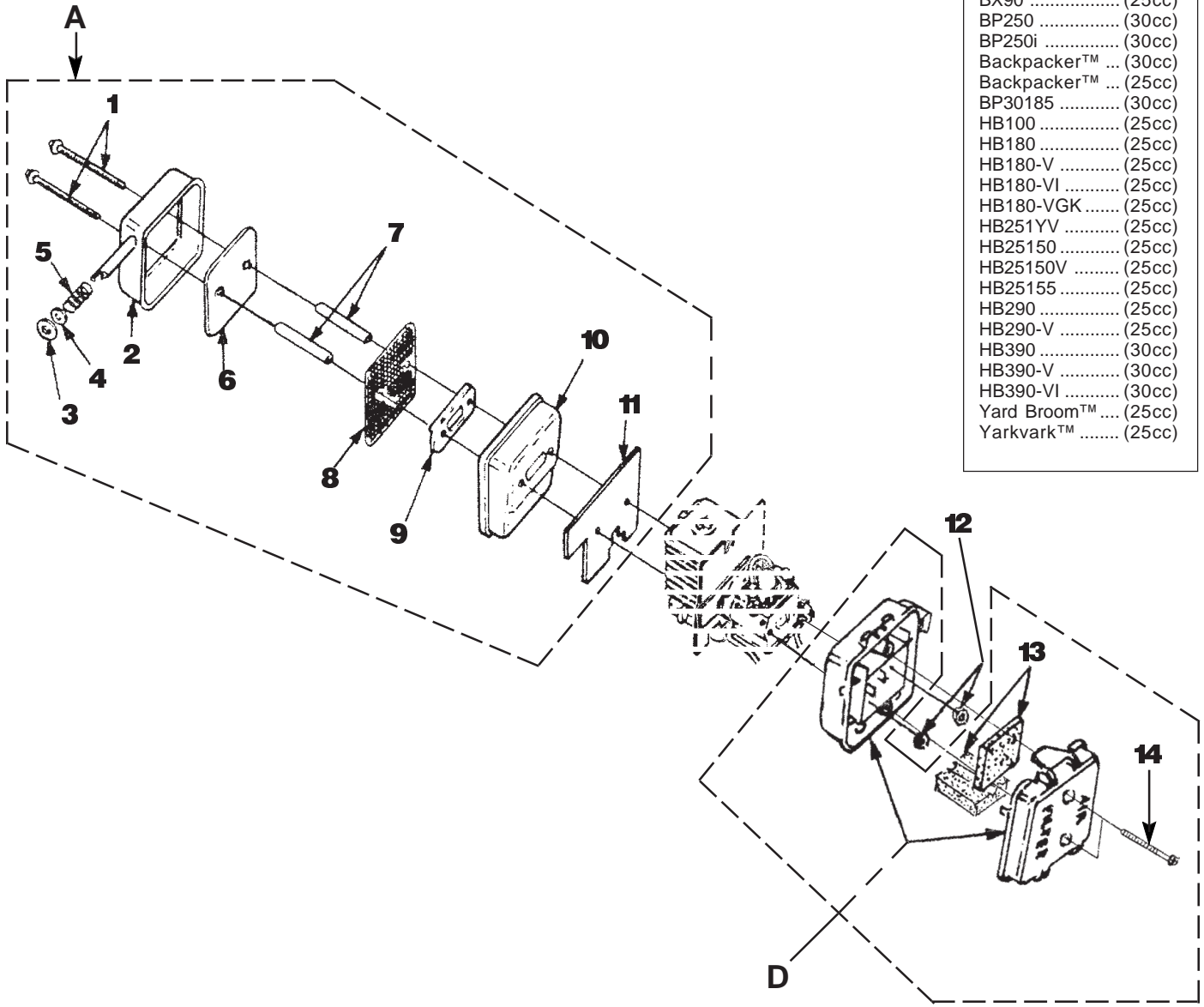
NO.	PART NO.	DESCRIPTION	QTY.
C	UP 03858	IGNITION KIT w/Module	1
1	UP 03868	TERMINAL-Hi-Tension	1
2	UP 03883	SPARK PLUG (RDJ-7Y)	1
3	A 03924	LEAD-Electrical (BP250's, Backpacker & BP30185)	1
4	UP 03896	SCREW-Thread Form. (8-32 x 1")	2
5	UP 03009	ROTOR & STARTER PAWLS	1
6	UP 03906	WASHER-Flat	1
7	UP 03854	SPACER-Fan	1
8	UP 03874	KEY-Woodruff	1

TORQUE SPECIFICATIONS			
Item No.	In/Lbs	Nm	Required Loctite
2	120-180	13.6-20.3	
4	30-40	3.4-4.5	242 Blue

Warranty Flat Rate		
Job#	Description	Time/hr.
FA11	Solid State Ignition7
FA11	Solid State Ignition (BP250's & Backpacker)9

For Parts Call 606-678-9623 or 606-561-4983

MUFFLER and AIR CLEANER



D25B	(25cc)
BX90	(25cc)
BP250	(30cc)
BP250i	(30cc)
Backpacker™ ..	(30cc)
Backpacker™ ..	(25cc)
BP30185	(30cc)
HB100	(25cc)
HB180	(25cc)
HB180-V	(25cc)
HB180-VI	(25cc)
HB180-VGK	(25cc)
HB251YV	(25cc)
HB25150	(25cc)
HB25150V	(25cc)
HB25155	(25cc)
HB290	(25cc)
HB290-V	(25cc)
HB390	(30cc)
HB390-V	(30cc)
HB390-VI	(30cc)
Yard Broom™ ..	(25cc)
Yarkvark™	(25cc)

NO.	PART NO.	DESCRIPTION	QTY.
A	• UP 04486	MUFFLER-Complete	1
1	UP 03902	SCREW-Sems Hex Hd. (10-24 x 2 1/2")	2
2	UP 03810	MUFFLER COVER	1
3	UP 03813	WASHER-Insulating	1
4	UP 03901	WASHER-Flat	1
5	UP 03814	SPRING-Compression	1
6	UP 04289	DEFLECTOR-Muffler	1
7	UP 03860	SPACER-Muffler	1
8	UP 03815	SCREEN-Spark Arrestor	1
9	UP 03918	PLATE-Reinforcing	1
10	UP 04305	BODY-Muffler	1
11	UP 03817	GASKET-Muffler *	1
12	UP 03885	NUT-Hex (10-24)	2
D	• UP 00011	AIR FILTER KIT	1
13	UP 00012	AIR FILTER	1
14	UP 03890	SCREW-Thd. Form. (#8-16 x 3/4")	2

TORQUE SPECIFICATIONS			
Item No.	In/Lbs	Nm	Required Loctite
1	40-50	4.5-5.6	
12	30-40	3.4-4.5	
14	30-40	3.4-4.5	

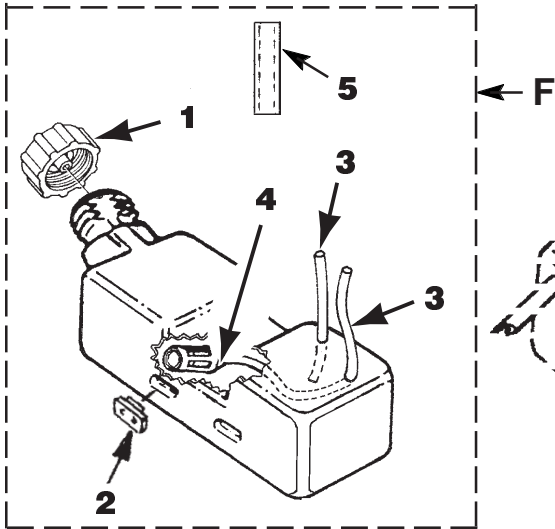
Warranty Flat Rate		
Job#	Description	Time/hr.
CB18	Muffler3
CF42	Air Filter Cover/Body2

* Also included with Short block & Cylinder Kits.

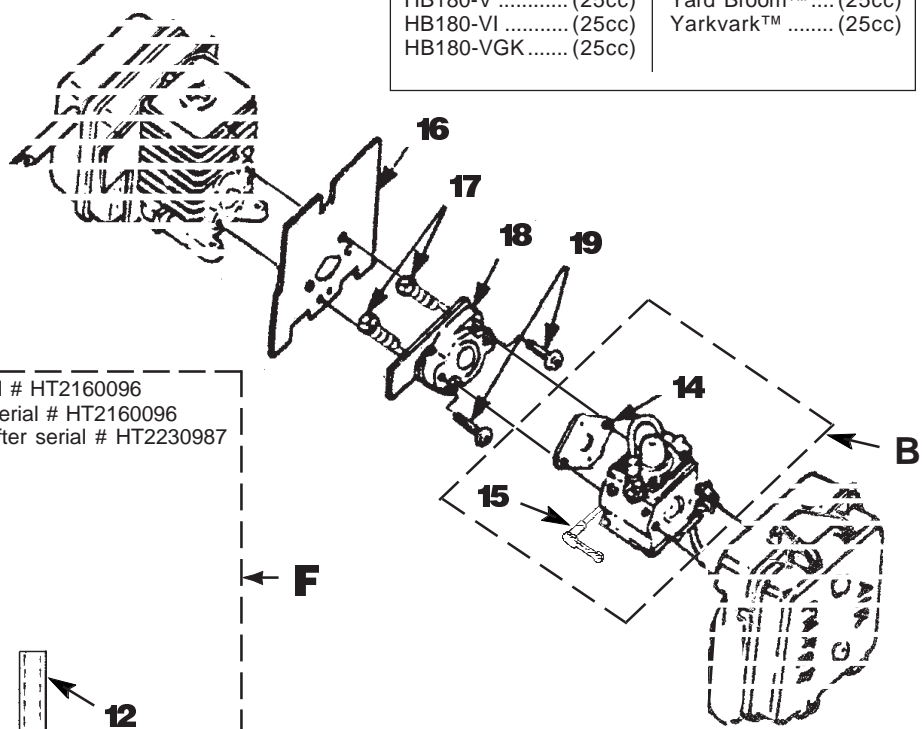
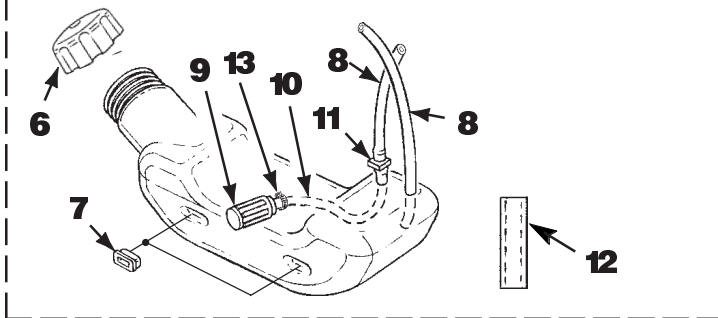
For Parts Call 606-678-9623 or 606-561-4983

CARBURETOR and FUEL TANK

D25B	(25cc)	HB251YV	(25cc)
BX90	(25cc)	HB25150	(25cc)
BP250	(30cc)	HB25150V	(25cc)
BP250i	(30cc)	HB25155	(25cc)
Backpacker™	(30cc)	HB290	(25cc)
Backpacker™	(25cc)	HB290-V	(25cc)
BP30185	(30cc)	HB390	(30cc)
HB100	(25cc)	HB390-V	(30cc)
HB180	(25cc)	HB390-VI	(30cc)
HB180-V	(25cc)	Yard Broom™	(25cc)
HB180-VI	(25cc)	Yarkvark™	(25cc)
HB180-VGK	(25cc)		



For models: Yardvark™ UT08074 after serial # HT2160096
 Yard Broom™ UT08026H after serial # HT2160096
 The Backpacker™ UT08017H after serial # HT2230987



NO.	PART NO.	DESCRIPTION	QTY.
F	• UP 00136	FUEL TANK KIT	1
1	UP 04111	FUEL CAP (1 3/8" Opening))	1
2	UP 03501	BUMPER-Rubber	3
3	70310 32	TUBING-Rubber (8")	2
4	UP 03871	FUEL FILTER	1
5	42833 04	INSULATION-Tubing	1
F	• UP 00136	FUEL TANK KIT	1
6	UP 00106	FUEL CAP (1 5/8" Opening)	1
7	UP 03501	BUMPER-Rubber	3
8	UP 03825	TUBING-Rubber (8")	2
9	UP 03871	FUEL FILTER	1
10	UP 03905	TUBING-Rubber (8")	1
11	UP 04310	Fitting, Inlet (small for 2.5mm ID fuel line)	1
	UP 03831	Fitting, Inlet (large for 3mm ID fuel line)	1
12	UP 04339	INSULATION-Tubing	1
13	UP 03913	CLAMP	1
B	• UP 00651	CARBURETOR KIT	1
14	UP 03915	GASKET-Carburetor *	1
15	UP 03943	LEVER-Choke (Walbro WT419,WT469)	1
	UP 04278	LEVER-Choke (Zama, H39)	1
B	• UP 00652	CARBURETOR KIT	1
		(BP250's, Backpacker & BP30185)	
14	UP 03916	GASKET-Carburetor *	1
15	UP 03943	LEVER-Choke (Walbro WT419,WT469)	1
	UP 04278	LEVER-Choke (Zama, H39)	1
B	• UP 00653	CARBURETOR KIT (UT08026 E, F, G, H)	1
		(UT08026 J, UT08011 G, H, J)	
14	UP 03915	GASKET-Carburetor *	1
15	UP 03941	LEVER-Choke	1

NO.	PART NO.	DESCRIPTION	QTY.
16	UP 04308	GASKET-Heat Dam *	1
17	UP 04131	SCREW-Thread Form. (10-24 x 1")	2
18	UP 04348	HEAT DAM	1
19	UP 04140	SCREW, SEMS (10-24 x 1.110) *	2

* Also included with Short block & Cylinder Kits.

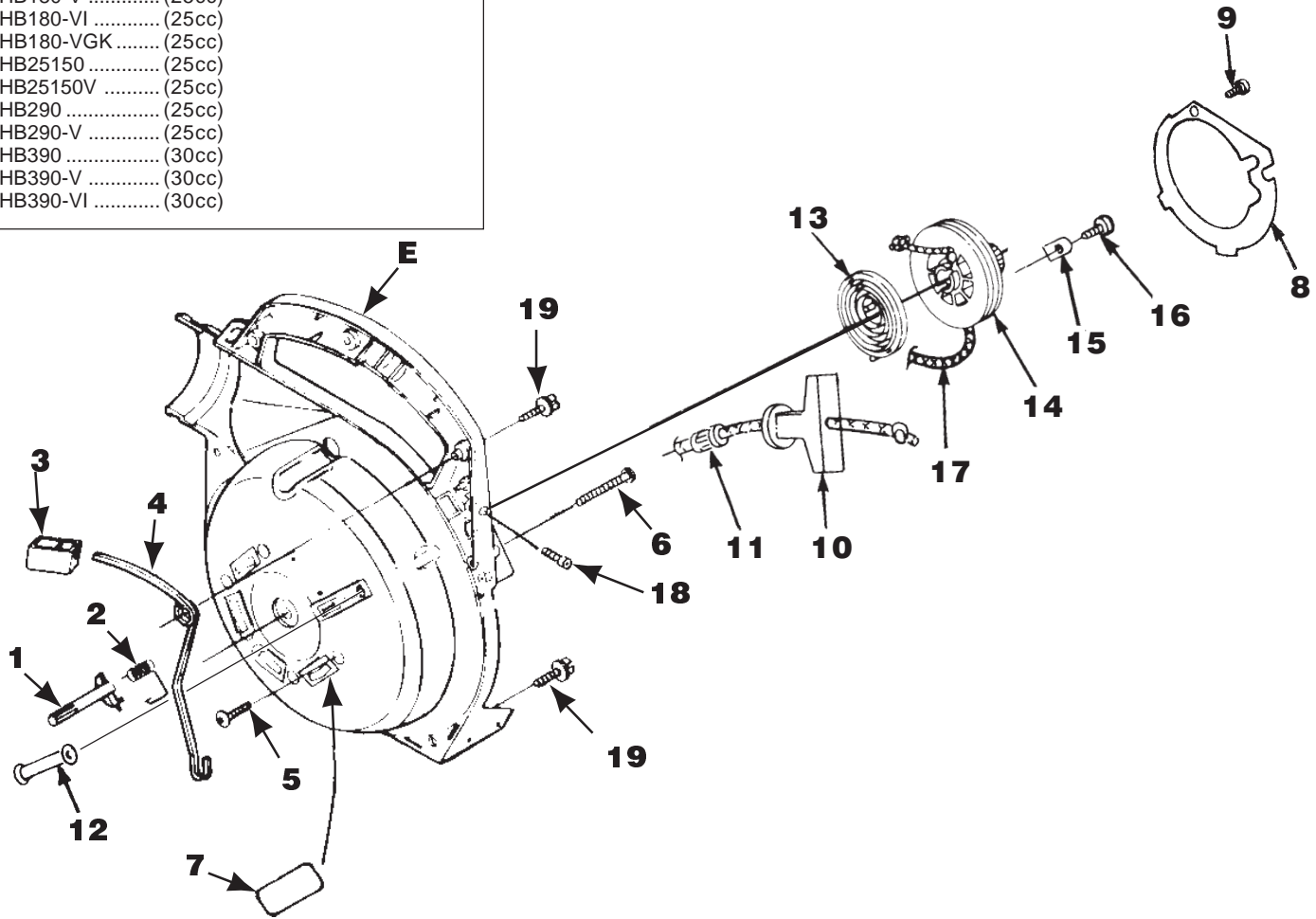
TORQUE SPECIFICATIONS			
Iten No.	In/Lbs	Nm	Required
17	30-40	3.4-4.5	Loctite
19	40-50	4.5-5.6	262 Red

Warranty Flat Rate		
Job#	Description	Time/hr.
CF16	Fuel Tank3
CF10	Carburetor/Replace3
CF12	Fuel Line/Fuel Return3
CF17	Manifold3
FF14	Primer Bulb3

11/8/2000

STARTER

- BX90(25cc)(excludes UT08026E,F)
- BP250(30cc)
- BP250i(30cc)
- Backpacker™(25cc & 30cc)
- BP30185(30cc)
- HB100(25cc)(excludes UT08011G,H,J)
- HB180(25cc)
- HB180-V(25cc)
- HB180-VI(25cc)
- HB180-VGK(25cc)
- HB25150(25cc)
- HB25150V(25cc)
- HB290(25cc)
- HB290-V(25cc)
- HB390(30cc)
- HB390-V(30cc)
- HB390-VI(30cc)



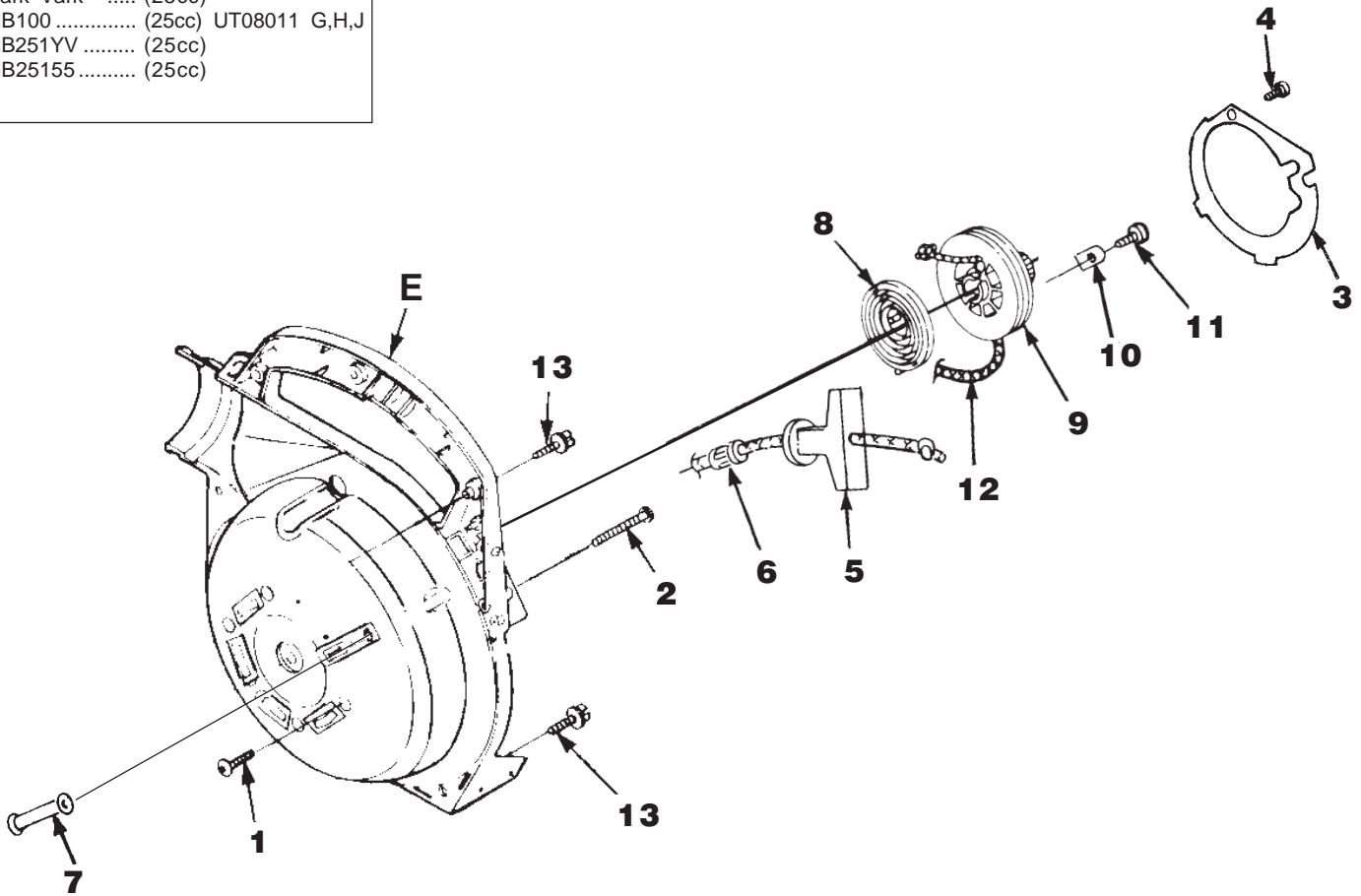
NO.	PART NO.	DESCRIPTION	QTY.
1	UP 03800	LATCH-Throttle	1
2	UP 03811	SPRING-Throttle Latch	1
3	UP 03798	TRIGGER-Throttle	1
4	UP 03803	LEVER-Throttle	1
5	UP 03406	SCREW-Thread Form. (10-24 X 3/4")	4
6	UP 03869	SCREW-Thread Form. (#10 X 1 5/8")	1
E	UP 06792	VOLUTE HOUSING & STARTER	1
7	UP 03822	KIT-Sealing	1
8	UP 04279	PLATE-Rotor	1
9	UP 03894	SCREW-Thread Form. (#6 X 1 3/8")	1
10	UP 04276	GRIP-Starter	1
11	UP 03910	BUSHING-Starter	1
12	UP 03809	BUSHING-Starter Rope	1
13	UP 03917	SPRING & CONTAINER	1
14	UP 04349	PULLEY-Starter	1
15	UP 03919	BRACKET-Retaining	2
16	UP 03897	SCREW-Thread Form. (#10 X 1/2")	2
17	UP 03911	ROPE-Starter	1
18	UP 03887	SCREW-Phil. Hd. (8-32 X 5/8")	1
19	UP 03900	SCREW-Thread Form. (10-24 X 3/4")	6

TORQUE SPECIFICATIONS			
Item No.	In/Lbs	Nm	Required Loctite
5	55-60	6.2-6.8	
6	20-30	2.3-3.4	
9	8-12	.9-1.4	
16	30-40	3.4-4.5	
18	20-30	2.3-3.4	
19	20-30	2.3-3.4	

Warranty Flat Rate		
Job#	Description	Time/hr.
CF13	Throttle Trigger	.4
CG10	Starter Assy	.8
CD18	Volute Hsg. Inner	.7
FD20	Handle Replace	.3
CG10	Starter Assy (BP250's & Backpacker)	1.0
CD18	Volute Hsg. Inner (BP250's & Backpacker)	.9
CF13	Throttle Cable/Trigger (BP250's & Backpacker)	.5

STARTER

BX90	(25cc)	UT08026 E,F
D25B	(25cc)	
Yard Broom	(25cc)	
Yark Vark™	(25cc)	
HB100	(25cc)	UT08011 G,H,J
HB251YV	(25cc)	
HB25155	(25cc)	

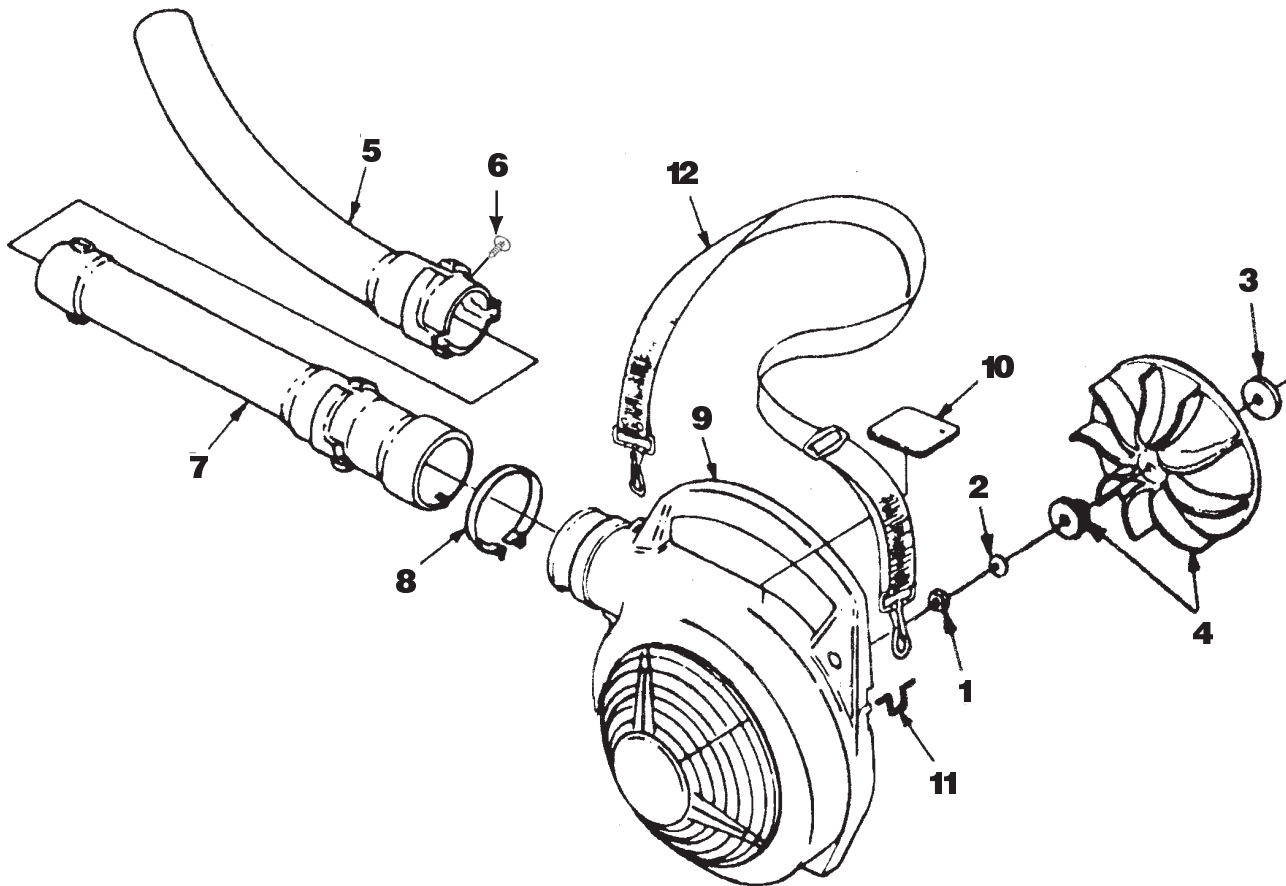
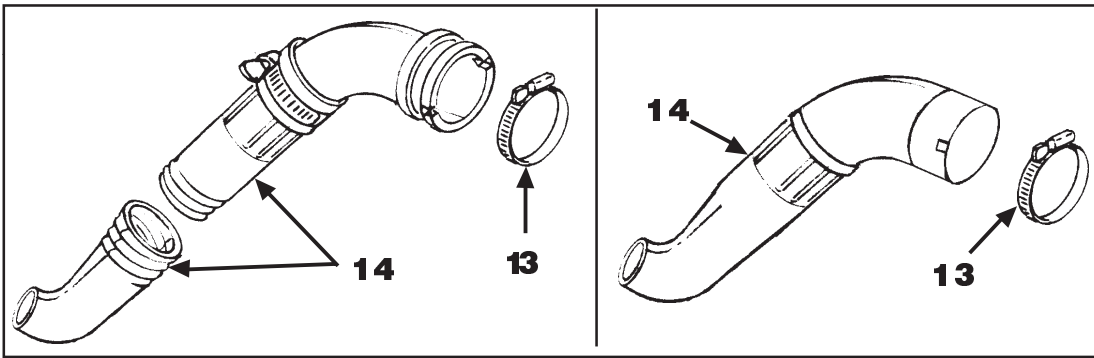


NO.	PART NO.	DESCRIPTION	QTY.
1	UP 03406	SCREW-Thread Form. (10-24 X 3/4")	1
2	UP 03869	SCREW-Thread Form. (#10 X 1 5/8")	1
E	•UP 04551	VOLUTE HOUSING & STARTER	1
3	UP 04279	PLATE-Rotor	1
4	UP 03894	SCREW-Thread Form. (#6 X 1 3/8")	1
5	UP 04276	GRIP-Starter	1
6	UP 03910	BUSHING-Starter	1
7	UP 03809	BUSHING-Starter Rope	1
8	UP 03917	SPRING & CONTAINER	1
9	UP 04349	PULLEY-Starter	1
10	UP 03919	BRACKET-Retaining	2
11	UP 03897	SCREW-Thread Form. (#10 X 1/2")	2
12	UP 03911	ROPE-Starter	1
13	UP 03900	SCREW-Thread Form. (10-24 X 3/4")	6

TORQUE SPECIFICATIONS			
Item No.	In/Lbs	Nm	Required Loctite
1	55-60	6.2-6.8	
2	20-30	2.3-3.4	
4	8-12	.9-1.4	
11	30-40	3.4-4.5	
13	20-30	2.3-3.4	

Warranty Flat Rate		
Job#	Description	Time/hr.
CG10	Starter Assy	.8
CD18	Volute Hsg (Inner)	.7
CF13	Trigger	.3

BX90	(25cc)
UT08026A, B, C, D, F	
D25B	(25cc)
Yard Broom ...	(25cc)
Yardvark	(25cc)
HB100	(25cc)
UT08011B, C, D, E, F	
UT08011H,J	
HB251YV	(25cc)
HB25155	(25cc)

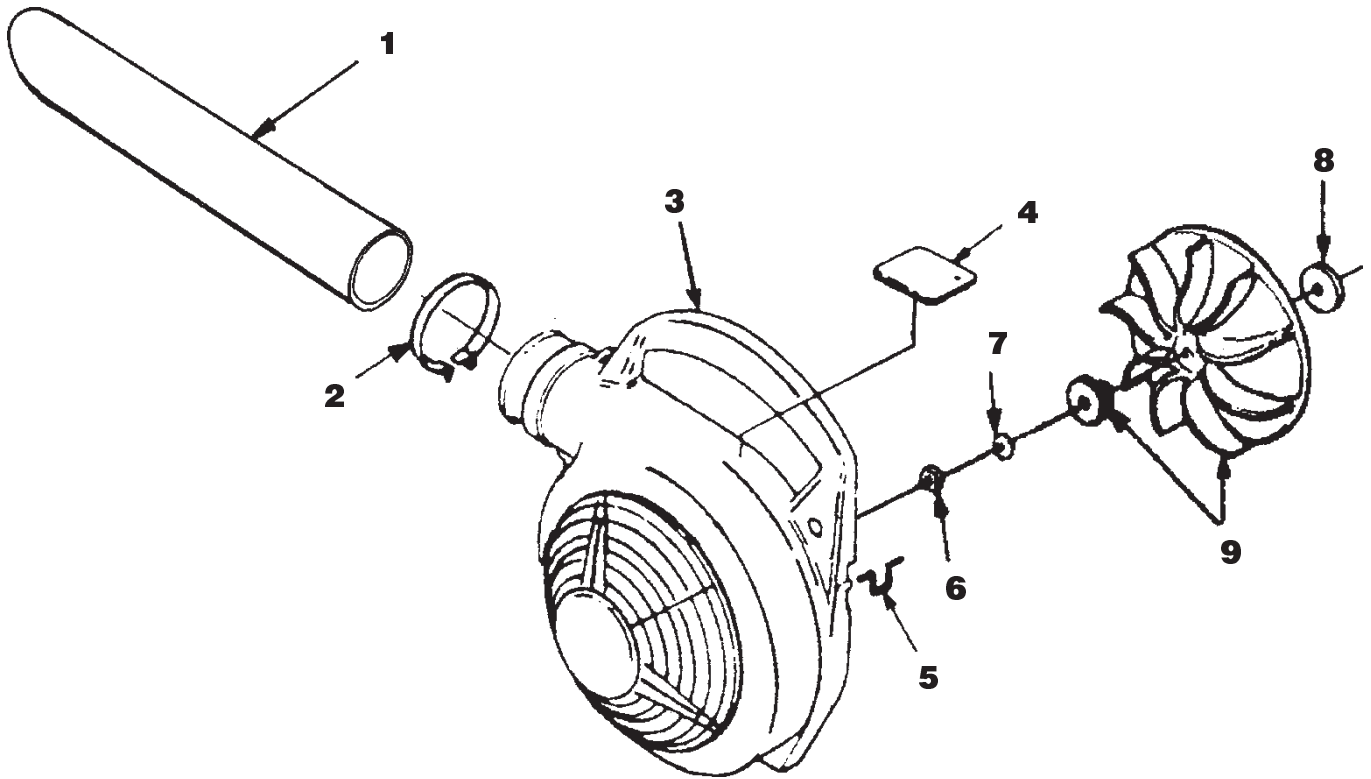


NO.	PART NO.	DESCRIPTION	QTY.
1	UP 03884	NUT-Hex (3/8-24)	1
2	UP 03835	WASHER-Bellville (3/8")	1
3	UP 03836	WASHER-Flat	2
4	UP 06826	BLOWER FAN KIT	1
5	UP 00876	NOZZLE-Sweeper	1
6	UP 04299	CLIP - Push	2
7	UP 00878	TUBE-Upper	1
8	UP 03821	CLAMP w/Fasteners	1
9	UP 00757	VOLUTE HOUSING (Outer)	1
10	UP 04332	DECAL-Warning	1
11	UP 03818	LOOP-Wire	1
12	UP 06723	SHOULDER STRAP	1
13	UP 04286	CLAMP	2
14	UP 04290	TUBE KIT	1
13	UP 04286	CLAMP	1

TORQUE SPECIFICATIONS			
Item No.	In/Lbs	Nm	Required Loctite
1	130-150	14.7-16.9	

Warranty Flat Rate		
Job#	Description	Time/hr.
CD81	Fan Blower	.5
CD17	Volute Hsg (Outer)	.5
CD95	Tubes	.3

BX90	(25cc)	UT08026 E
HB100	(25cc)	UT08011 G

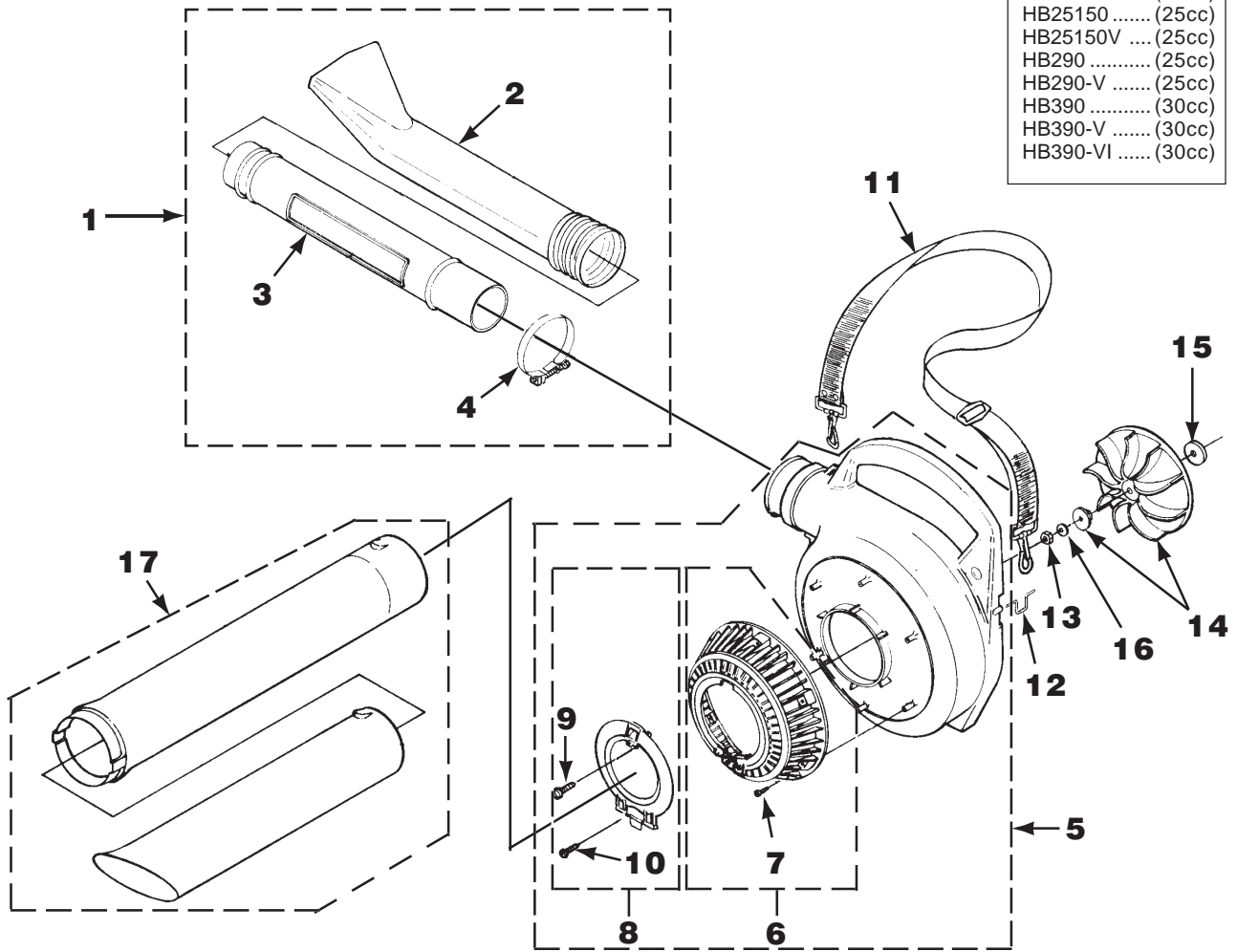


NO.	PART NO.	DESCRIPTION	QTY.
1	UP 04331	TUBE	1
2	UP 03821	CLAMP w/Fasteners	1
3	•UP 00757	VOLUTE HOUSING (Outer)	1
4	UP 04332	DECAL-Warning	1
5	UP 03818	LOOP-Wire	1
6	UP 03884	NUT-Hex (3/8-24)	1
7	UP 03835	WASHER-Bellville (3/8")	1
8	UP 03836	WASHER-Flat	2
9	UP 06826	BLOWER FAN KIT	1

TORQUE SPECIFICATIONS			
Item No.	In/Lbs	Nm	Required Loctite
6	130-150	14.7-16.9	

Warranty Flat Rate		
Job#	Description	Time/hr.
CD81	Fan Blower5
CD17	Volute Hsg (Outer)8
CD95	Tubes3

HB180	(25cc)
HB180-V	(25cc)
HB180-VI	(25cc)
HB180-VGK ..	(25cc)
HB25150	(25cc)
HB25150V	(25cc)
HB290	(25cc)
HB290-V	(25cc)
HB390	(30cc)
HB390-V	(30cc)
HB390-VI	(30cc)



NO.	PART NO.	DESCRIPTION	QTY.
1	•UP 06741	BLOWER TUBE KIT	1
2	UP 03812	NOZZLE-Sweeper	1
3	UP 04365	TUBE	1
4	UP 03821	CLAMP w/Fasteners	1
5	•UP 03861	VOLUTE HOUSING KIT	1
6	•UP 06720	BLOWER VAC GRILLE KIT	1
7	UP 03894	SCREW-Thread Form. (#6 X 3/8")	6
8	•UP 06613	ACCESS DOOR KIT	1
9	UP 03888	SCREW-Thread Rolling (#10 X 5/8")	1
10	UP 03893	SCREW-Thread Form. (#8 X 1/2")	1
11	UP 06723	SHOULDER STRAP	1
12	UP 03818	WIRE LOOP	1
13	UP 03884	NUT-Hex (3/8-24)	1
14	UP 06826	BLOWER FAN KIT	1
15	UP 03836	WASHER-Flat	2
16	UP 03835	WASHER-Bellville (3/8")	1
17	UP 06705	TUBE Kit w/Decals (Vacuum units only)	1

TORQUE SPECIFICATIONS			
Item No.	In/Lbs	Nm	Required Loctite
7	8-12	9-1.4	
9	10-20	1.1-2.3	
10	8-12	9-1.4	
13	130-150	14.7-16.9	

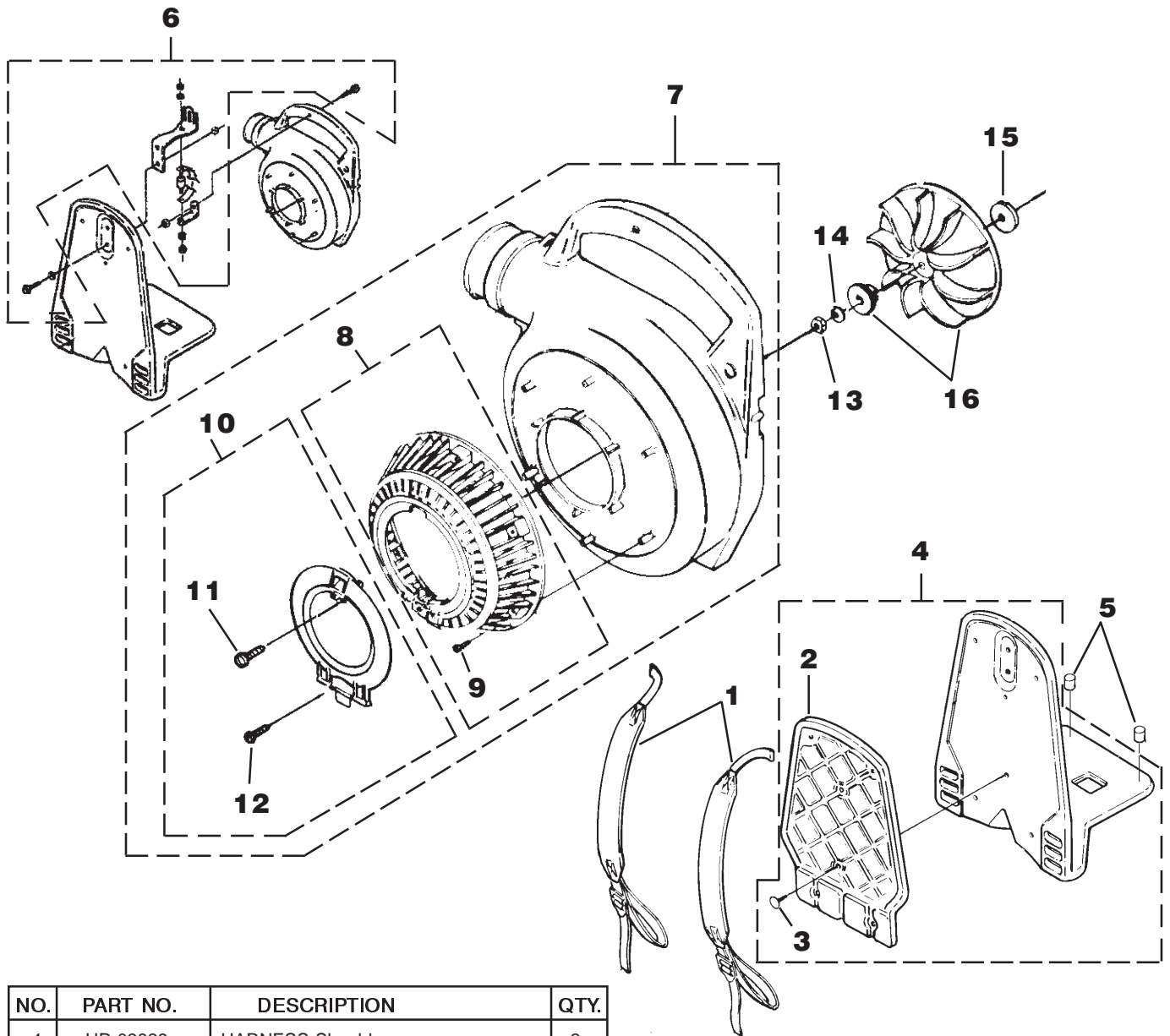
Warranty Flat Rate		
Job#	Description	Time/hr.
CD81	Fan, Blower5
CD17	Volute Hsg (Outer)5
CD24	Grill/Cover- Blower Vac3
CD95	Tubes3

See page 13 for Accessories Listing.

PLEASE NOTE: The Gutter Maintenance Kit, listed on the Accessories page, is standard with the HB180-VGK unit.

BACK PACK, TUBE KIT & HANDLE

BP250	(30cc)
BP250i	(30cc)
Back Packer™	(30cc)
Back Packer™	(25cc)
BP30185	(30cc)



NO.	PART NO.	DESCRIPTION	QTY.
1	UP 03829	HARNESS-Shoulder	2
4	UP 04405	FRAME-Blower	1
2	UP 06884	PAD-Foam	1
3	UP 03830	CLIP-Push	6
5	UP 03826	VIBRATION ISOLATOR (One included in #6 kit)	2
6	UP 06885	VIBRATION ISOLATOR KIT	1
7	•UP 03861	VOLUTE HOUSING KIT	1
8	•UP 06720	BLOWER VAC GRILLE KIT	1
9	UP 03894	SCREW-Thread Form. (#6 X 3/8")	6
10	•UP 06613	ACCESS DOOR KIT	1
11	UP 03888	SCREW-Thread Rolling (#10 X 5/8")	1
12	UP 03893	SCREW-Thread Form. (#8 X 1/2")	1
13	UP 03884	NUT-Hex (3/8-24)	1
14	UP 03835	WASHER-Bellville (3/8")	1
15	UP 03836	WASHER-Flat	2
16	UP 06826	BLOWER FAN KIT	1

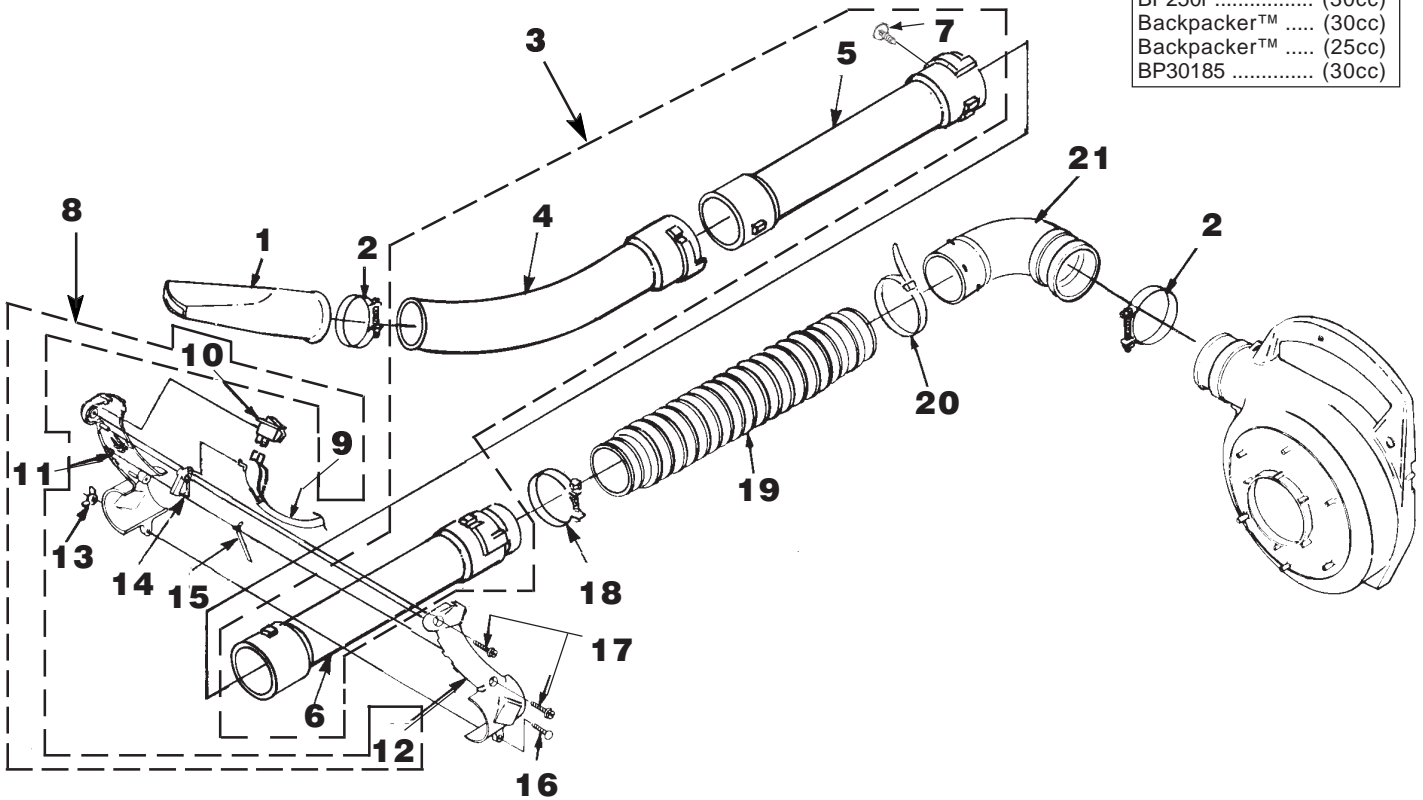
TORQUE SPECIFICATIONS			
Item No.	In/Lbs	Nm	Required Loctite
9	8-12	9-1.4	
11	10-20	1.1-2.3	
12	8-12	9-1.4	
13	130-150	14.7-17.0	

Warranty Flat Rate		
Job#	Description	Time/hr.
CD17	Volute Hsg (Outer)	.7
CD81	Fan, Blower	.7
CD24	Grill/Cover	.4
CS16	Backpack Frame/Wire Stand	.3

11/8/2000

TUBES

BP250	(30cc)
BP250i	(30cc)
Backpacker™	(30cc)
Backpacker™	(25cc)
BP30185	(30cc)



NO.	PART NO.	DESCRIPTION	QTY.
1	UP 05582	NOZZLE-Sweeper	1
2	UP 03821	CLAMP	2
3	• UP 05582	BLOWER TUBE KIT	1
4	UP 00876	TUBE-Elbow	1
5	UP 00875	TUBE-Straight	1
6	UP 00874	TUBE-Upper	1
7	UP 04299	CLIP-Push	4
8	• UP 03794	HANDLE & SWITCH KIT	1
9	UP 04302	ELECTRICAL LEAD w/Terminal	1
10	UP 03833	SWITCH	1
11	UP 04300	HANDLE-Control (Right)	1
12	UP 04301	HANDLE-Control (Left)	1
13	UP 03886	NUT - Wing (10-24)	1
14	UP 04346	TRIGGER	1
15	UP 03908	LATCH-Trigger	1
16	UP 03892	BOLT-Rib Neck, Rnd. Hd. (10-24 X 7/8")	1
17	UP 03900	SCREW-Thread Form. (10-14 X 3/4")	2
18	UP 03819	CLAMP (#87)	1
19	UP 03827	BELLOWS-Plastic	1
20	UP 04568	CABLE-Tie	1
21	UP 04297	ELBOW-Curved	1

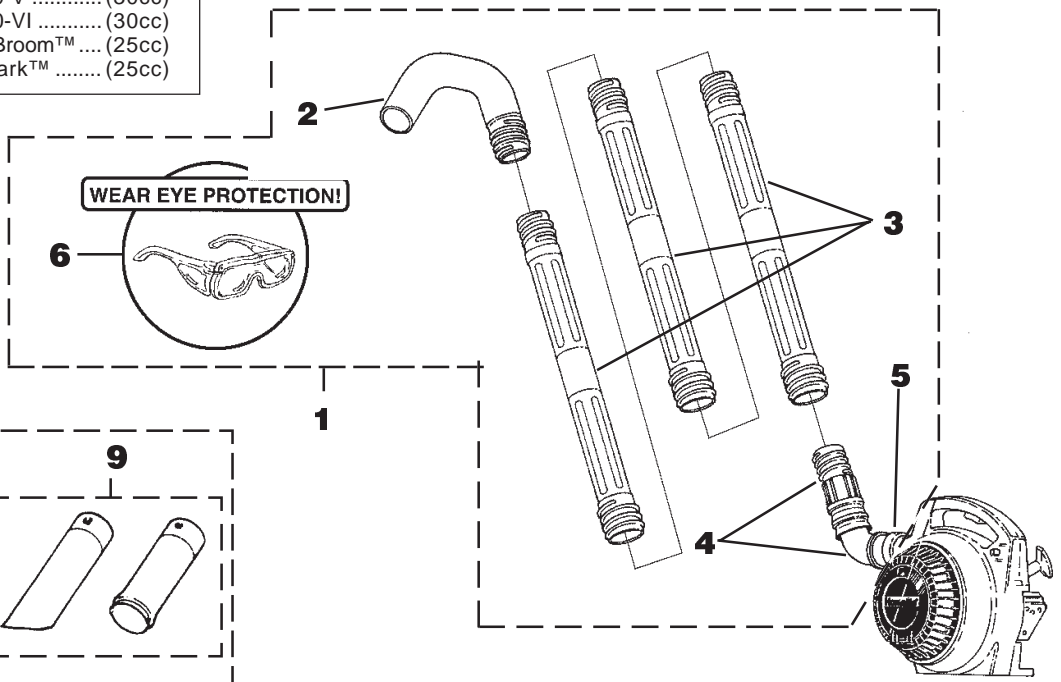
TORQUE SPECIFICATIONS			
Item No.	In/Lbs	Nm	Required Loctite
17	20-30	2.3-3.4	

Warranty Flat Rate		
Job#	Description	Time/hr.
FA17	Ign. Switch/Lead	.3
CF21	Pistol Grip Assy.	.3
CF13	Throttle Cable	.5
CD95	Tubes	.3

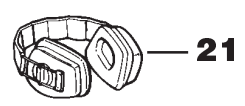
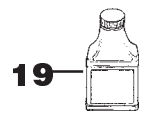
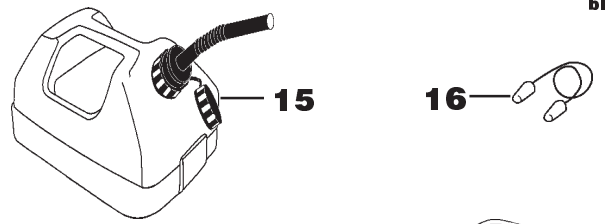
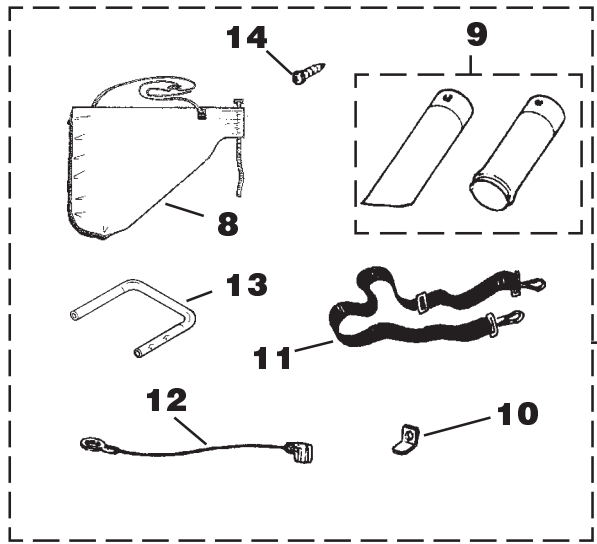
NOTE: See Page 11 for part numbers for Volute Housing & Grille Kits.

TUBES - ACCESSORIES

BX90	(25cc)	HB290-V	(25cc)
BP250	(30cc)	HB390	(30cc)
BP250i	(30cc)	HB390-V	(30cc)
Backpacker™	(30cc)	HB390-VI	(30cc)
Backpacker™	(25cc)	Yard Broom™	(25cc)
BP30185	(30cc)	Yarkvark™	(25cc)
D25B	(25cc)		
HB100	(25cc)		
HB180	(25cc)		
HB180-V	(25cc)		
HB180-VI	(25cc)		
HB180-VGK	(25cc)		
HB251YV	(25cc)		
HB25150	(25cc)		
HB25150V	(25cc)		
HB25155	(25cc)		
HB290	(25cc)		



Please Note:
Kit does not
include
blower.

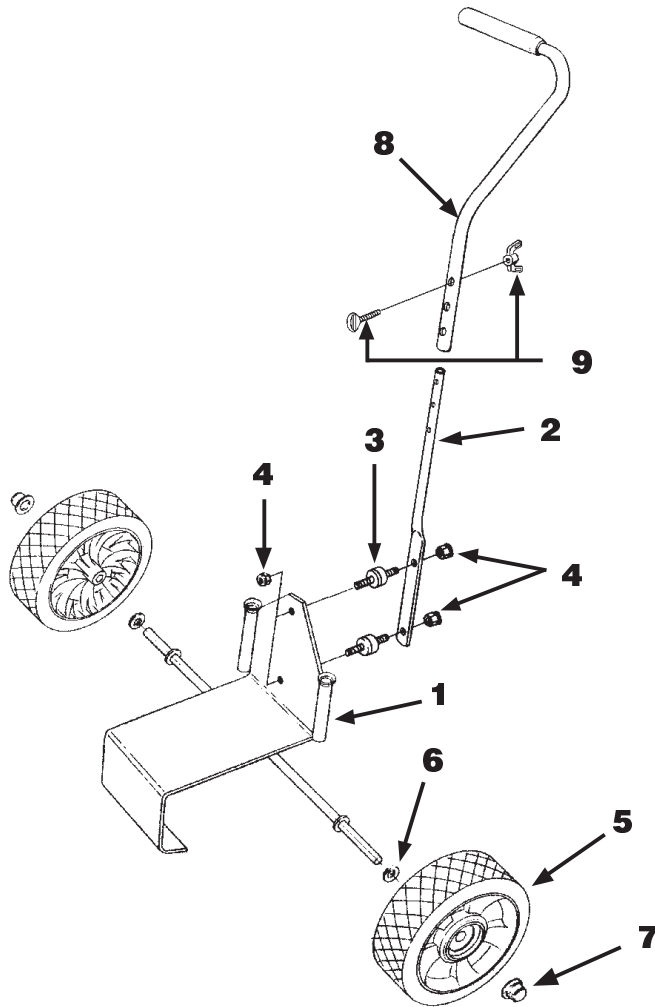
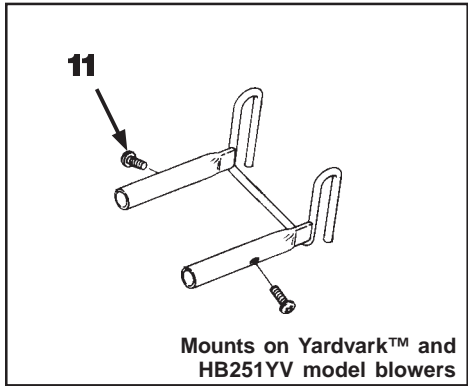


NO.	PART NO.	DESCRIPTION	QTY.
1	• A 02514 D	GUTTER MAINTENANCE KIT (HB100's, HB180's, HB25150, HB25150V, HB290's, HB390's)	1
2	UP 06830	FULL ELBOW	1
3	UP 05618	STRAIGHT TUBE	3
4	UP 06836	UPPER ELBOW & SWIVEL ADAPTER	1
5	UP 03821	CLAMP w/Fasteners	1
6	UP 06835	SAFETY GLASSES-Clear	1
7	•UP 04152	VACUUM KIT (HB180's, HB25150, HB25150V, HB290's, HB390's)	1
8	UP 04548	LEAF BAG	1
9	UP 06705	VACUUM TUBE KIT w/ Decal	1
10	UP 03834	TAB-Male	1
11	UP 06723	HARNESS-Shoulder	1
12	UP 03823	LEAD-Ground	1
13	UP 03816	HANDLE	1
14	UP 03889	SCREW	1
15	A 02976 A	GAS CAN 1 1/4 Gallon	
16	UP 06839	EAR PLUGS	
17	UP 06835	SAFETY GLASSES-Clear	
18	01231 D	EXACT MIX™ Oil - 1 pint (50:1)	
19	08581	EXACT MIX™ Oil - 2.6 oz. (50:1)	
20	UP 06778	GOGGLES	
21	UP 07694	EAR PROTECTORS	

PLEASE NOTE: The Gutter Maintenance Kit comes standard with the HB180-VGK.

11/8/2000

Yardvark™ (25cc)
 HB251YV (25cc)



NO.	PART NO.	DESCRIPTION	QTY.
1	• PS 01106	DOLLY COMPLETE Includes:	1
2	UP 00490	HANDLE, Lower	1
3	• UP 00489	ISOLATOR KIT (2 per)	2
4	UP 05627	NUT (1/4-20) (4 per)	4
5	UP 00420	WHEEL	2
6	UP 00418	WASHER	2
7	UP 00419	NUT, Push	2
8	PS 01105	HANDLE, Upper	1
9	UP 00616	SCREW & WING NUT	1
10	• UP 00417	BRACKET	1
11	UP 04291	SCREW, Torx Hd. (8-32 x 1/2")	2

TORQUE SPECIFICATIONS			
Item No.	In/Lbs	Nm	Required Loctite
4	40-50	4.5-5.6	
9	Hand Tight		
11	12-17	1.4-1.9	

Warranty Flat Rate		
Job#	Description	Time/hr.
CS10	Lower Handle/Mounting Bracket	.3
CS18	Isolators	.3
CS25	Wheel (each)	.3

For Parts Call 606-678-9623 or 606-561-4983

For product information, technical help, dealer locations or parts ordering information visit our website at:
www.homelite.com.

**John Deere Consumer Products Limited
Produits Consommateurs John Deere Limitée**

1850-55e/th Avenue
Lachine, Québec, Canada H8T 3J5
tel: 1-514-636-5900 / fax: 1-514-636-9966

John Deere Consumer Products International B.V.

Haverstraat 24
2153 GB Nieuw Vennep
The Netherlands
tel: +31-252-687342 / fax: +31-252-687993

John Deere Limited

A.C.N. 008 671 725
166-170 Magnesium Drive
Crestmead, Queensland 4132
Australia
tel: 61-7-3802-3222 / fax: 61-7-3803-6555

**JOHN DEERE
WORLDWIDE COMMERCIAL & CONSUMER EQUIPMENT DIVISION**

4401 Bland Road, Suite 200
Raleigh, NC 27609

Phone 1-800-537-8233

www.mymowerparts.com