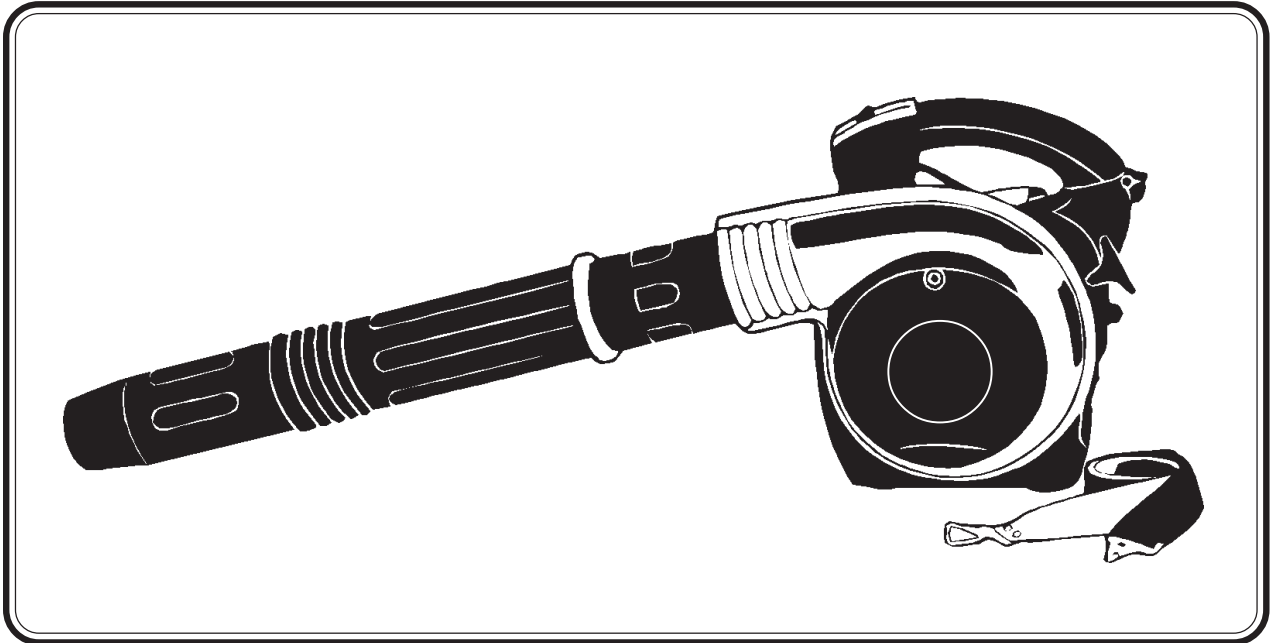


Homelite®

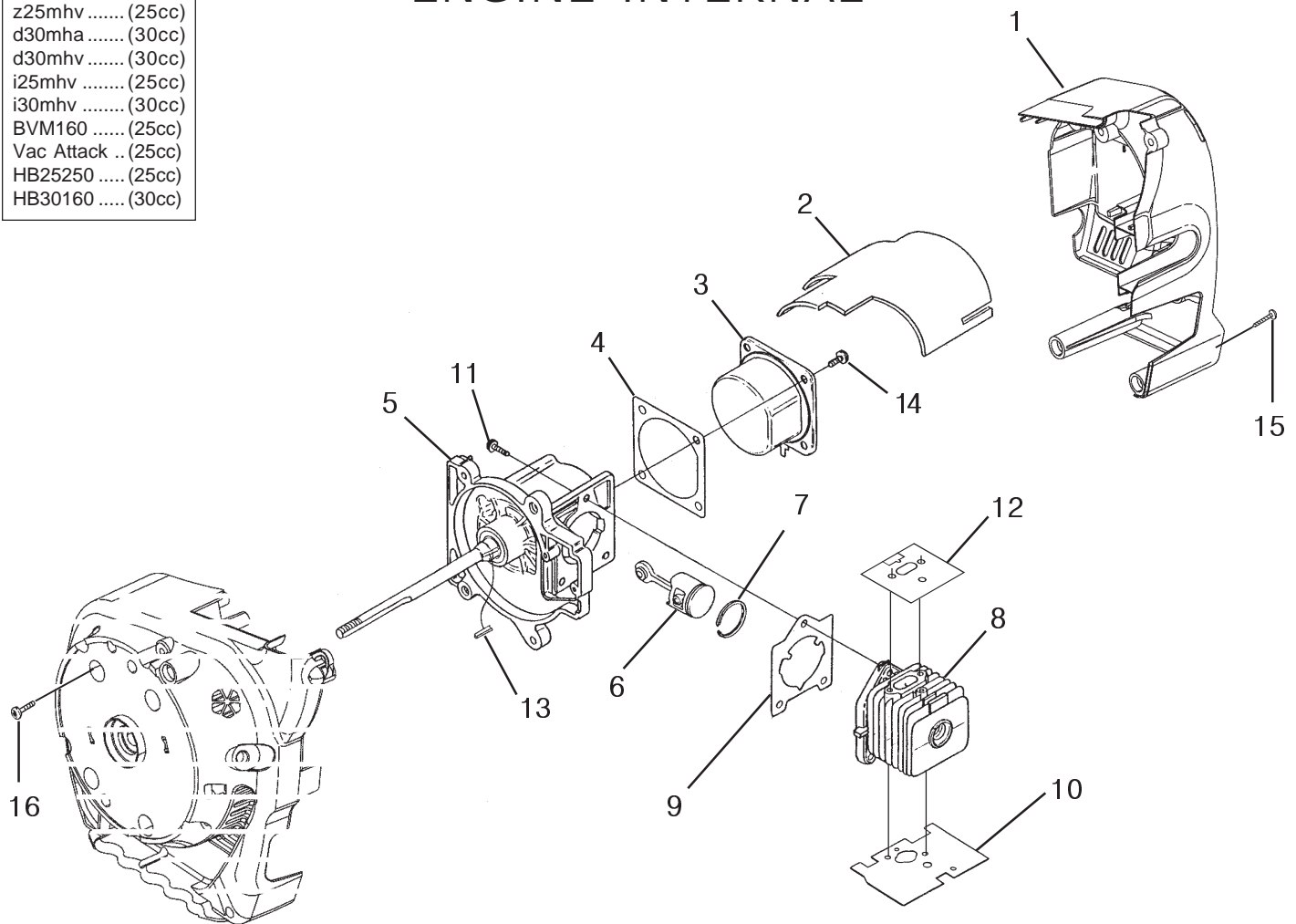
PARTS LIST



d25mhv	UT08067,	A, B
z25mhv	UT08052,	UT08076, A
Vac Attack™	UT08052A,	B
d30mha	UT08066,	A, B
d30mhv	UT08057,	A, B
i25mhv	UT08059,	A, B
i30mhv	UT08058,	A, B
BVM160	UT08069,	A, B
HB25250	UT08071R,	AR
HB30160	UT08070R,	AR

ENGINE INTERNAL

- d25mhv (25cc)
- z25mhv (25cc)
- d30mha (30cc)
- d30mhv (30cc)
- i25mhv (25cc)
- i30mhv (30cc)
- BVM160 (25cc)
- Vac Attack .. (25cc)
- HB25250 (25cc)
- HB30160 (30cc)



NO.	PART NO.	DESCRIPTION	Qty.
1	UP 04314	Shroud	1
2	UP 04322	Heat Shield, Muffler	1
3	• UP 06543	Crankcase Cover	1
4	UP 04335	Gasket, C/Case *	1
5	• UP 00759	Short Block (Svc) (30cc)	1
6	• UP 03366	Piston & Rod (30cc)	1
7	UP 03837	Piston Ring (30cc) **	2
8	• UP 07146	Cylinder Kit (30cc)	2
9	UP 03857	Gasket, Cylinder	1
10	UP 04308	Gasket, Heat Dam	1
11	UP 04345	Screw, Sems (12-24 x 3/4)	3
12	UP 04350	Gasket, Muffler	1
13	UP 03874	Key, Woodruff	1
14	UP 04295	Screw, Sems (10-24 x .560)	4
5	• UP 00756	Short Block (Svc) (25cc)	1
6	• UP 00768	Piston & Rod (25cc)	1
7	PS 01359	Piston Ring (25cc)	1
8	• UP 07145	Cylinder Kit (25cc)	1
9	UP 03857	Gasket, Cylinder	1
10	UP 04308	Gasket, Heat Dam	1
11	UP 04345	Screw, Sems (12-24 x 3/4)	3
12	UP 04350	Gasket, Muffler	1
13	UP 03874	Key, Woodruff	1
14	UP 04295	Screw, Sems (10-24 x .560)	4
15	UP 03895	Screw, Thread Forming (10-14 x 7/8)	5
16	UP 03406	Taptite, Truss (10-24 x 3/4)	4

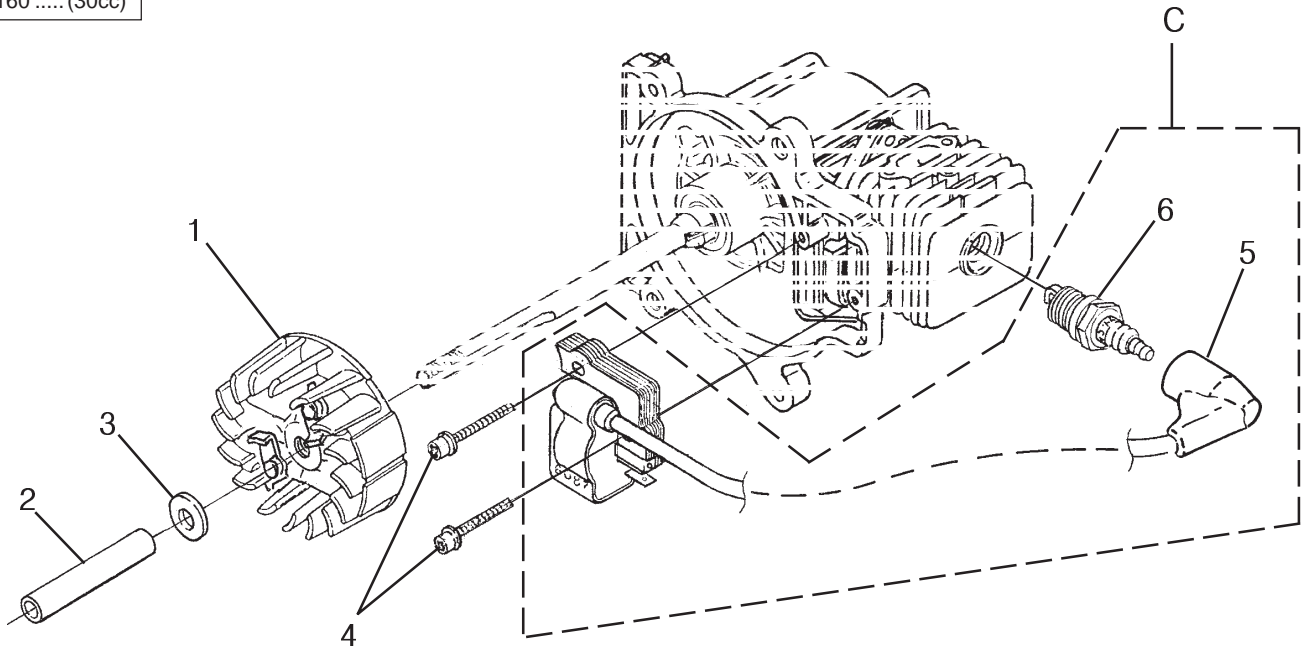
Torque Specs			
Item No.	In/Lbs	Nm	Required Loctite
11.....	55-65	6.2-7.3	262 Red
14	35-45	4.0-5.1	262 Red
15.....	30-40	3.4-4.6	
16.....	55-60	6.2-6.8	

Warranty Flat Rate		
Job	Description	Time/Hr.
CB20 ...	Short Block	1.0
CD22 ..	Shroud3
CB21 ...	Crankcase Cover3
CB10 ...	Partial Engine Rebuild	1.0

* Also included with Short Block and Cylinder assemblies.
 ** NOTE: Ring for single ring 30CC piston is 04933.

IGNITION

- d25mhv (25cc)
- z25mhv (25cc)
- d30mha (30cc)
- d30mhv (30cc)
- i25mhv (25cc)
- i30mhv (30cc)
- BVM160 (25cc)
- Vac Attack .. (25cc)
- HB25250 (25cc)
- HB30160 (30cc)



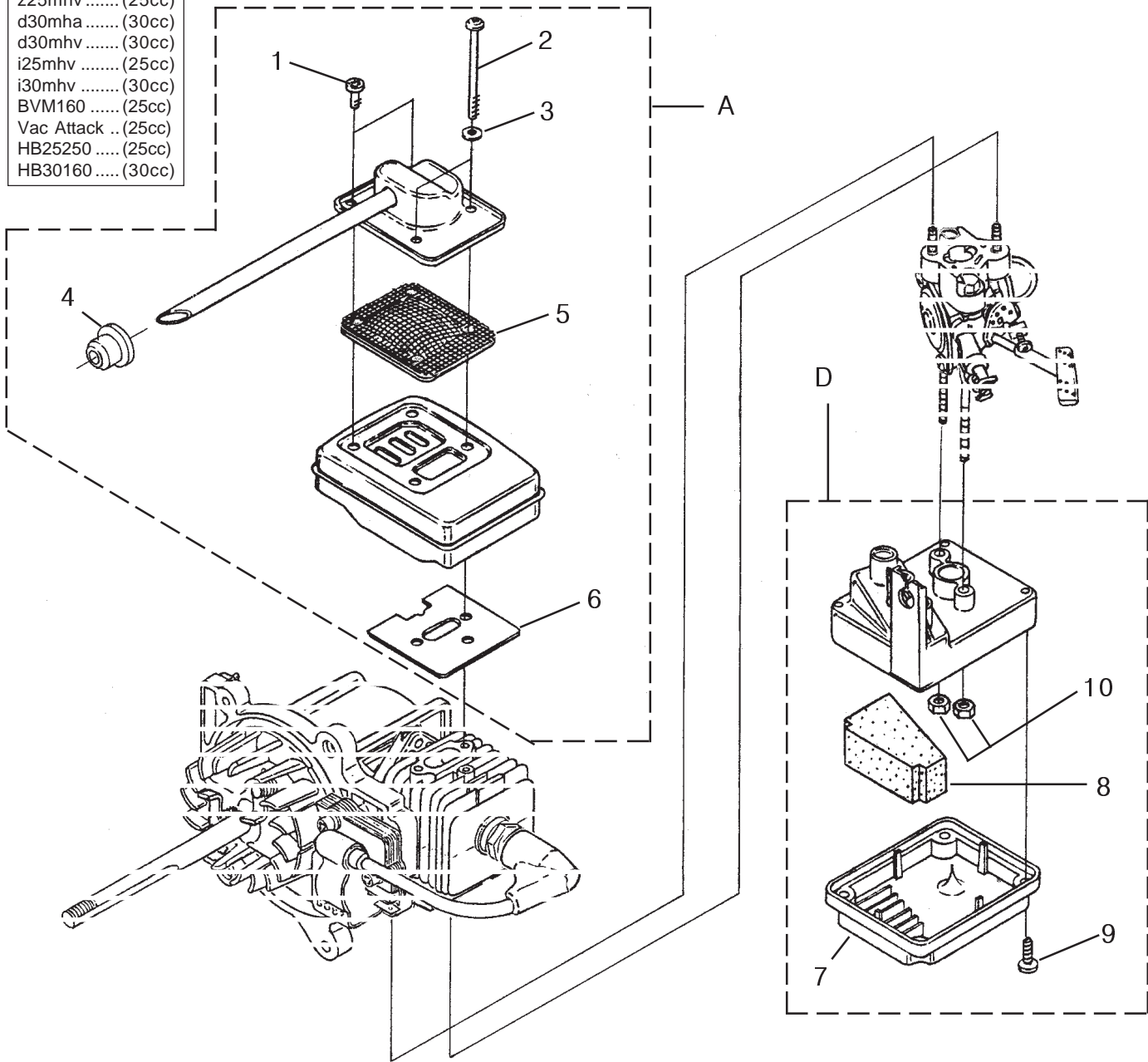
NO.	PART NO.	DESCRIPTION	Qty.
1	●UP 03856	Rotor & Starter Pawls	1
2	UP 03855	Spacer	1
3	UP 03906	Washer, Flat	1
4	UP 03896	Screw-Thread Forming (8-32 X 1)	2
C	●UP 03858	Ignition Kit	1
5	UP 03868	Terminal & Cover	1
6	UP 03883	Resistor Spark Plug (RDJ-7Y)	1

Torque Specs			
Item No.	In/Lbs	Nm	Required Loctite
4 30-40 3.4-4.5 242 Blue
6 120-180 13.6-20.3	

Warranty Flat Rate		
Job	Description	Time/Hr.
FA22	... Rotor	7
FA18	... Ignition Module	7

MUFFLER - AIR CLEANER

- d25mhv (25cc)
- z25mhv (25cc)
- d30mha (30cc)
- d30mhv (30cc)
- i25mhv (25cc)
- i30mhv (30cc)
- BVM160 (25cc)
- Vac Attack .. (25cc)
- HB25250 (25cc)
- HB30160 (30cc)



NO.	PART NO.	DESCRIPTION	Qty.
A	•UP 06823	Muffler Assembly, Crimped	1
1	UP 04248	Screw, Taptite (8-32 x 3/8)	2
2	UP 04249	Screw, Torx Truss Hd. (10-24 X 2.188")	2
3	UP 03866	Washer, Conical #10	2
4	UP 04321	Muffler Grommet	1
5	UP 04316	Screen Assy., Spark	1
6	UP 03817	Gasket, Muffler *	1
D	•UP 06824	Air Filter Assembly	1
7	UP 04318	Cover, Air Box	1
8	UP 04323	Filter Element #1	1
9	UP 03893	Screw, Thread Forming (8-16 X .50)	4
10	UP 03885	Nut, Lock Hex (10-24)	2

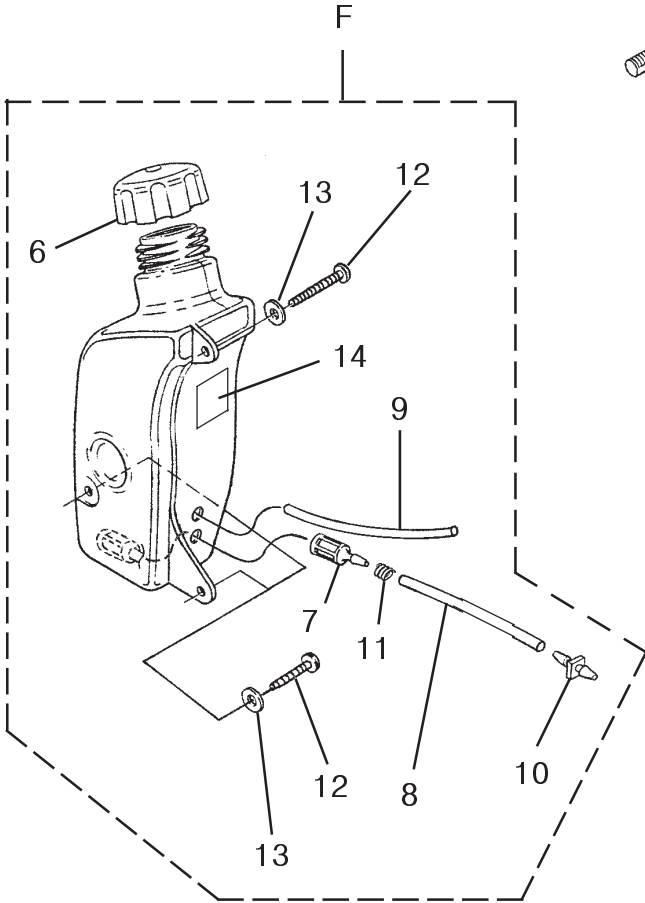
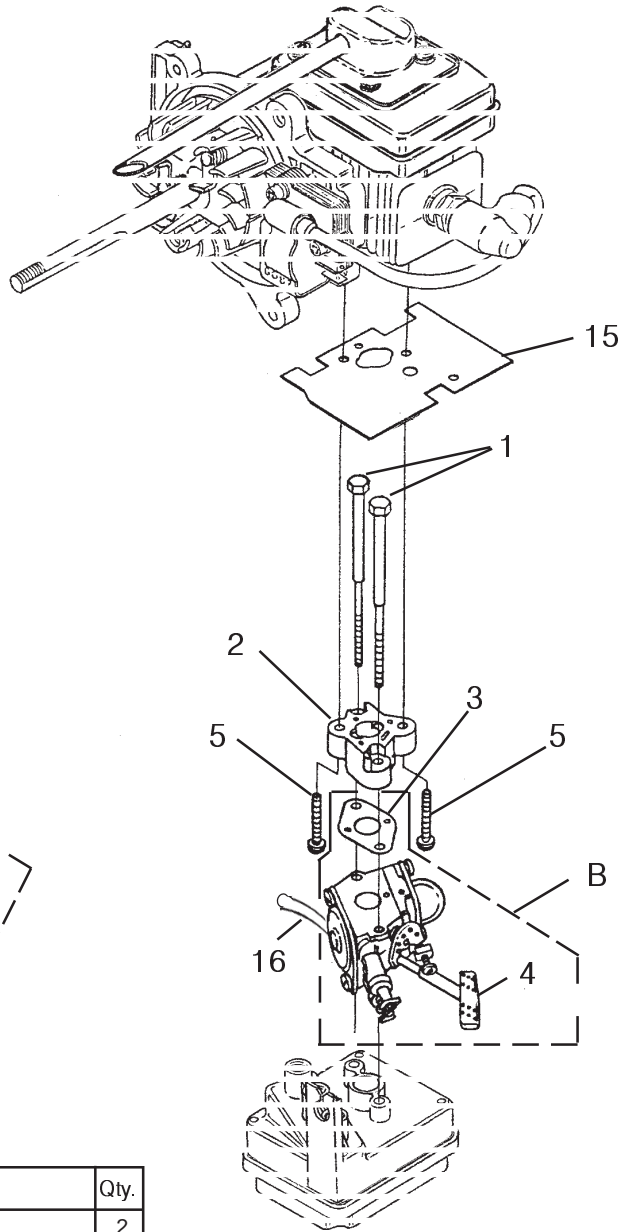
Torque Specs			
Item No.	In/Lbs	Nm	Required Loctite
1	20-30	2.3-3.4	
2	50-60	5.6-6.8	
9	30-40	3.4-4.5	
10	30-40	3.4-4.5	

Warranty Flat Rate		
Job	Description	Time/Hr.
CB18	Muffler Assy	.3
CB22	Spark Screen	.3
CF42	Air Filter Assy	.3

* Also included with Short Block and Cylinder assemblies.

CARBURETOR - FUEL TANK

- d25mhv (25cc)
- z25mhv (25cc)
- d30mha (30cc)
- d30mhv (30cc)
- i25mhv (25cc)
- i30mhv (30cc)
- BVM160 (25cc)
- Vac Attack .. (25cc)
- HB25250 (25cc)
- HB30160 (30cc)



NO.	PART NO.	DESCRIPTION	Qty.
1	UP 04307	Screw, Machine (10-24 x 2.8)	2
2	UP 03863	Heat Dam	1
B	• UP 00654	Carburetor Assembly	1
3	UP 03916	Gasket, Carburetor *	1
4	UP 04278	Lever, Choke (Zama)	1
5	UP 04140	Screw, Sems (10-24 x 1") *	2
F	• UP 00495	Fuel Tank Assy.	1
6	UP 04708	Fuel Cap	1
7	UP 03871	Fuel Filter	1
8	UP 04347	Tubing, Rubber (3")	1
9	UP 04294	Tubing, Rubber (5")	1
10	UP 04310	Fitting, Inlet (small for 2.5mm ID fuel line)	1
	UP 03831	Fitting, Inlet (large for 3mm ID fuel line)	1
11	UP 03913	Clamp, Wire	1
12	UP 03900	Screw, Thread Forming (10-14 x 3/4)	3
13	UP 03867	Washer	3
14	UP 03907	Tape, Aluminum	1
15	UP 04308	Gasket, Heat Dam *	1
16	UP 04294	Tubing, Rubber (5")	1

Torque Specs			
Item No.	In/Lbs	Nm	Required Loctite
1	30-40	3.4-4.5 **	
5	50-60	5.6-6.8	262 Red
12	30-40	3.0-4.0	

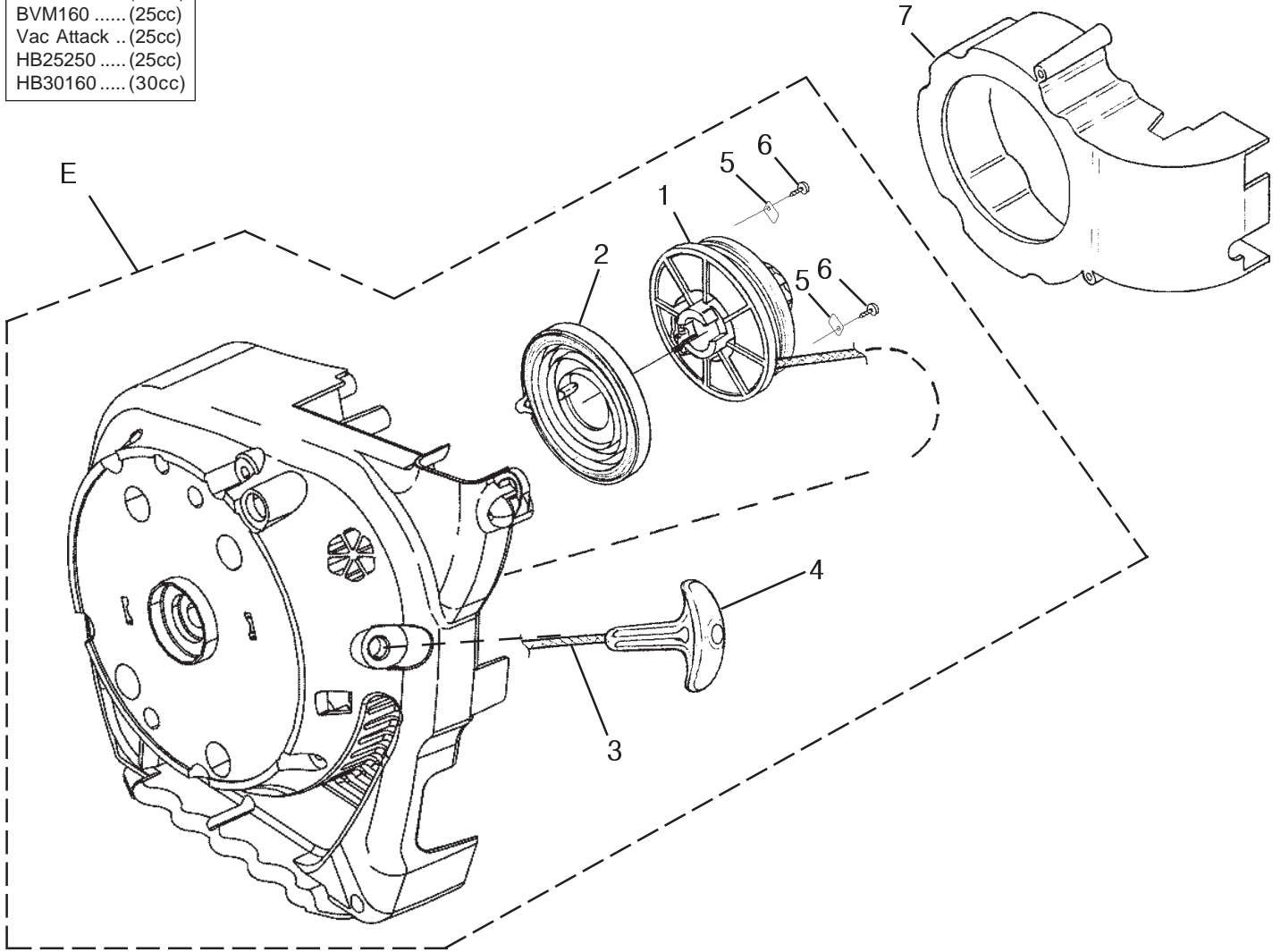
** See Torque Specs, page 4 - Item 10

Warranty Flat Rate		
Job	Description	Time/Hr.
CF17	Heat Dam	.3
CF10	Carburetor/Replace	.3
FF15	Choke Lever	.3
CF16	Fuel Tank	.3
CF12	Fuel Line/Fuel Return	.3

* Also included with Short Block and Cylinder assemblies.

STARTER

- d25mhv (25cc)
- z25mhv (25cc)
- d30mha (30cc)
- d30mhv (30cc)
- i25mhv (25cc)
- i30mhv (30cc)
- BVM160 (25cc)
- Vac Attack .. (25cc)
- HB25250 (25cc)
- HB30160 (30cc)



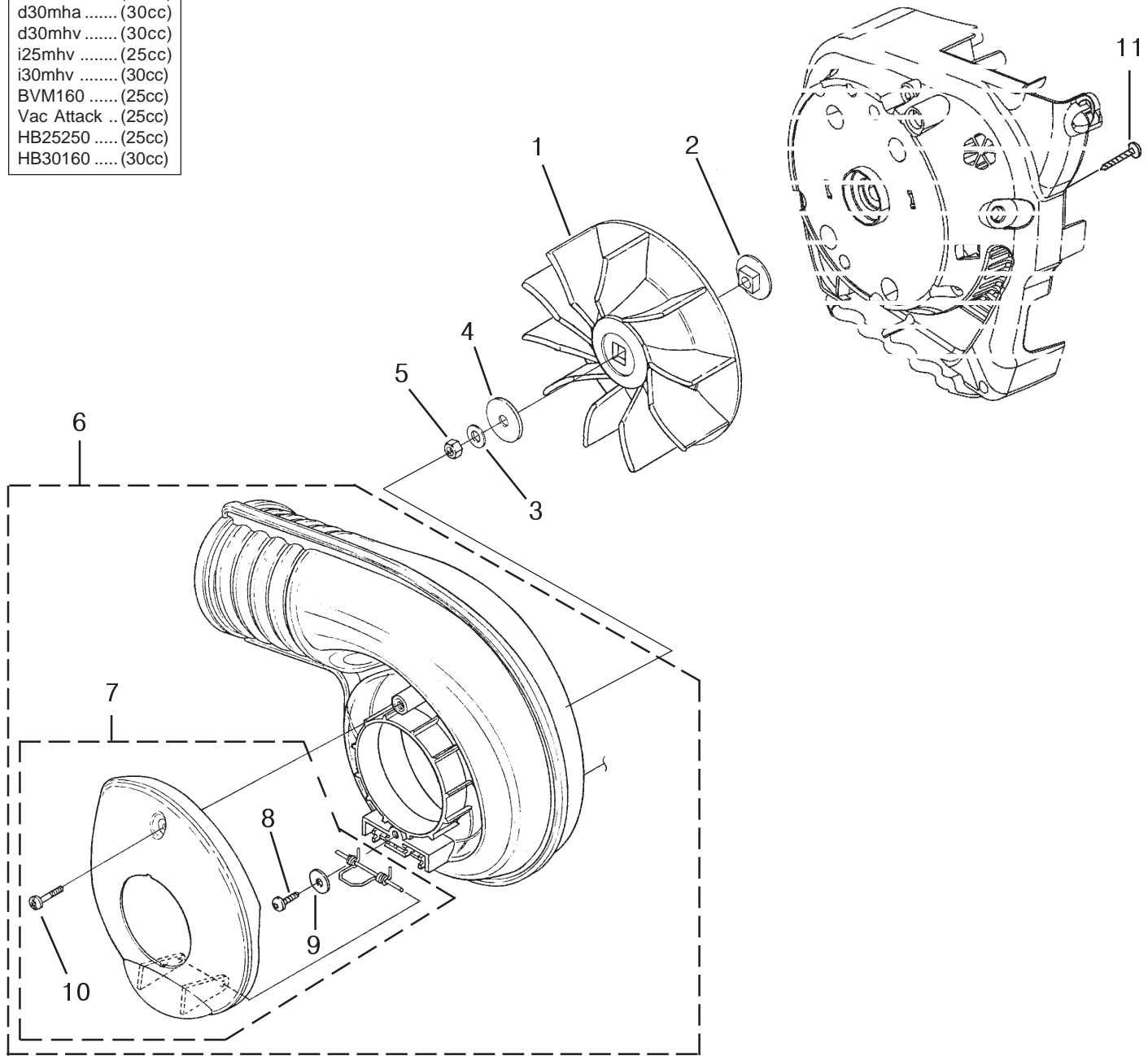
NO.	PART NO.	DESCRIPTION	Qty.
E	UP 00497	Starter (Svc)	1
1	UP 04349	Pulley, Starter	1
2	UP 03917	Spring & Container	1
3	UP 03912	Rope, Starter 42"	1
	UP 04276	Grip, Starter (Black)	1
5	UP 03919	Bracket-Retaining	2
6	UP 03897	Screw-Plastite (#10-1/2")	2
7	UP 04319	Scroll	1

Torque Specs			
Item No.	In/Lbs	Nm	Required Loctite
6	30-40	3.4-4.5	

Warranty Flat Rate		
Job	Description	Time/Hr.
CG10	.. Starter Assy	.8
CD60	.. Scroll	.8

VOLUTE - FAN

- d25mhv (25cc)
- z25mhv (25cc)
- d30mha (30cc)
- d30mhv (30cc)
- i25mhv (25cc)
- i30mhv (30cc)
- BVM160 (25cc)
- Vac Attack .. (25cc)
- HB25250 (25cc)
- HB30160 (30cc)



NO.	PART NO.	DESCRIPTION	Qty.
1	UP 04311	Fan	1
2	UP 04303	Adapter, Fan	1
3	UP 03835	Washer, Belleville	1
4	UP 03873	Washer, Flat	1
5	UP 03884	Nut (3/8-24)	1
6	UP 06899	Volute W/Door Assembly	1
7	UP 06898	Volute Door	1
8	UP 03897	Screw, Thread Forming (10-14 X 1/2)	1
9	UP 03909	Washer	1
10	UP 04547	Screw, Machine (10-24 X 3/4)	1
11	UP 03895	Screw, Plastite (10-14 X 7/8)	5

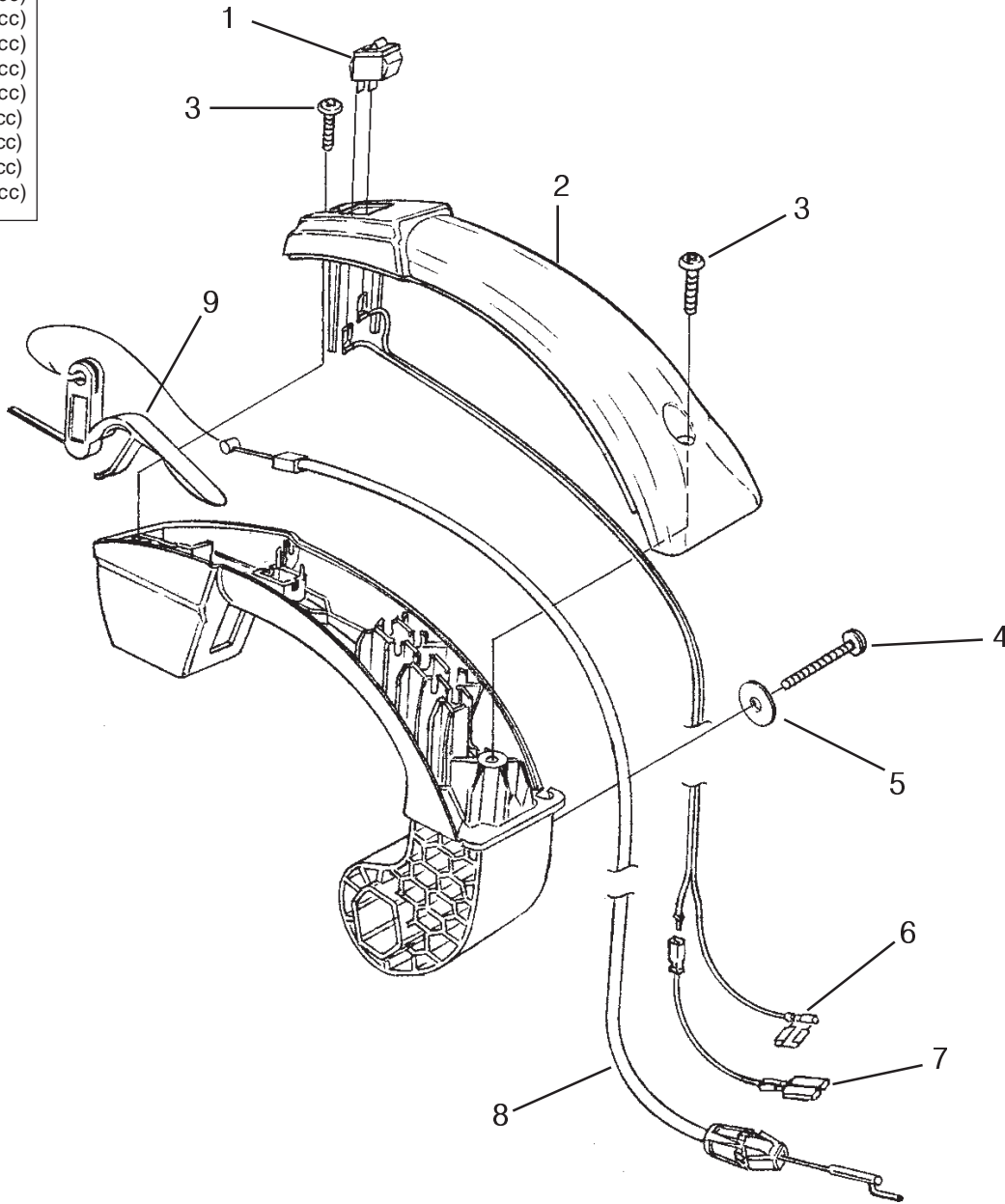
Torque Specs			
Item No.	In/Lbs	Nm	Required Loctite
5	130-150	14.7-17.0	
8	30-40	3.4-4.5	
10	15-20	1.7-2.3	
11	35-45	4.0-5.0	

Warranty Flat Rate		
Job	Description	Time/Hr.
CD81	.. Fan	.5
CD80	.. Volute	.4
CD24	.. Volute Door	.3

11/8/2000

HANDLE

- d25mhv (25cc)
- z25mhv (25cc)
- d30mha (30cc)
- d30mhv (30cc)
- i25mhv (25cc)
- i30mhv (30cc)
- BVM160 (25cc)
- Vac Attack .. (25cc)
- HB25250 (25cc)
- HB30160 (30cc)



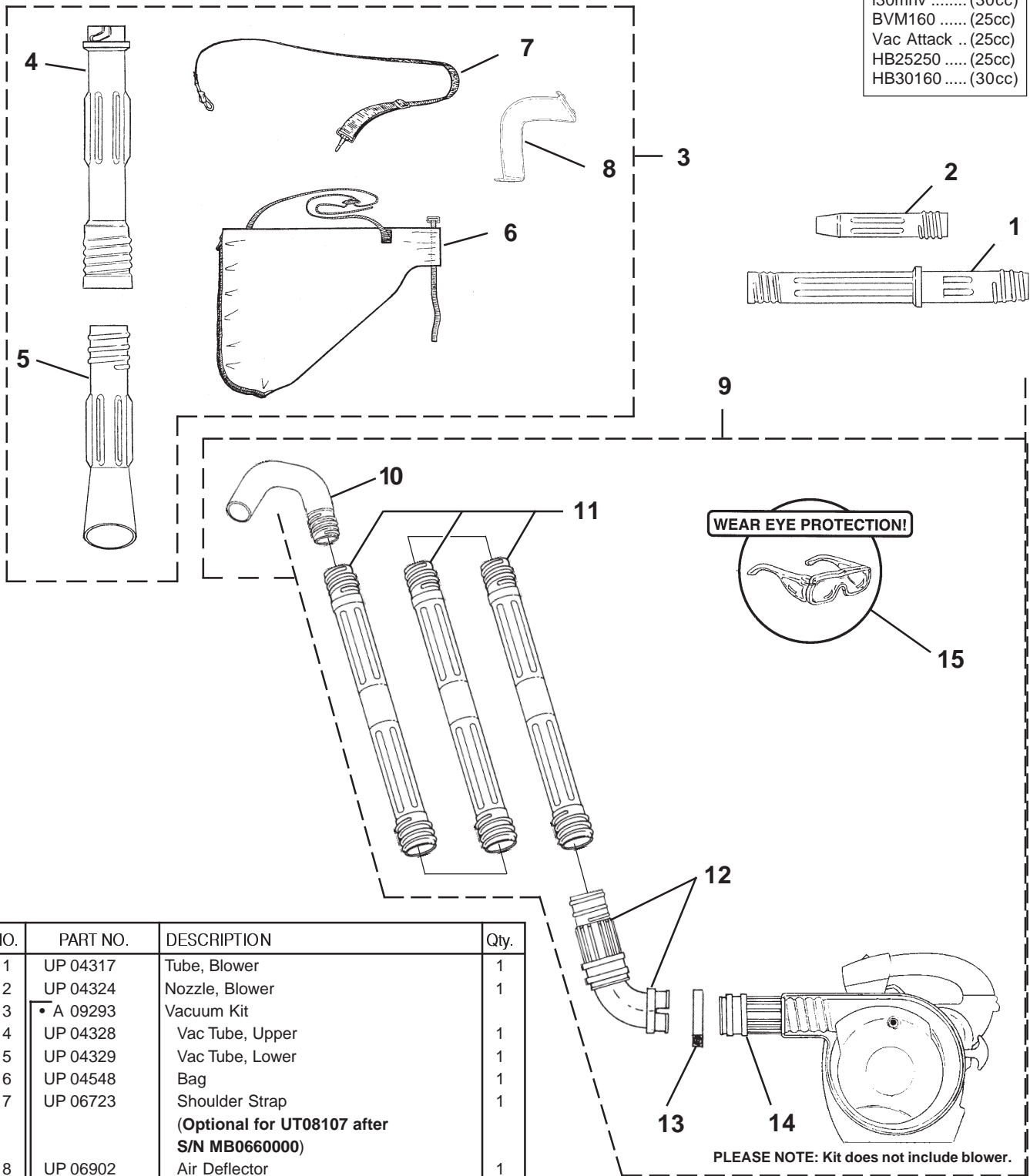
NO.	PART NO.	DESCRIPTION	Qty.
	•UP 06900	Handle Assembly	1
1	UP 04320	Switch, Rocker (Stop)	1
2	UP 04325	Handle Cover	1
3	UP 03898	Screw, Thread Forming (8-16 X 1/2)	2
4	UP 03895	Screw, Thread Forming (10-14 X 7/8)	1
5	UP 06901	Washer, Flat	1
6	UP 04333	Kill Switch Lead	1
7	UP 04327	Cable, Throttle	1
8	UP 04326	Trigger	1

Torque Specs			
Item No.	In/Lbs	Nm	Required Loctite
3	10-25	1.1-2.8	
4	30-45	3.4-5.1	

Warranty Flat Rate		
Job	Description	Time/Hr.
CD20	.. Handle4
CA17	... Switch3
CF13	... Throttle Cable4
CF35	... Trigger3
CA16	... Lead Wire8

TUBES - STRAP - ACCESSORIES

- d25mhv (25cc)
- z25mhv (25cc)
- d30mha (30cc)
- d30mhv (30cc)
- i25mhv (25cc)
- i30mhv (30cc)
- BVM160 (25cc)
- Vac Attack .. (25cc)
- HB25250 (25cc)
- HB30160 (30cc)



NO.	PART NO.	DESCRIPTION	Qty.
1	UP 04317	Tube, Blower	1
2	UP 04324	Nozzle, Blower	1
3	• A 09293	Vacuum Kit	1
4	UP 04328	Vac Tube, Upper	1
5	UP 04329	Vac Tube, Lower	1
6	UP 04548	Bag	1
7	UP 06723	Shoulder Strap (Optional for UT08107 after S/N MB0660000)	1
8	UP 06902	Air Deflector	1
9	• A 02514 D	Gutter Maintenance Kit	1
10	UP 06830	Full Elbow	1
11	UP 05618	Straight Tube	3
12	UP 06836	Upper Elbow & Swivel Adapter	1
13	UP 03821	Large Clamp	1
14	UP 06868	Adapter	1
15	UP 06835	Safety Glasses - Clear	1

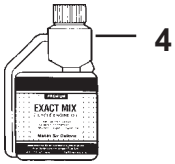
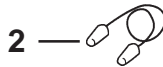
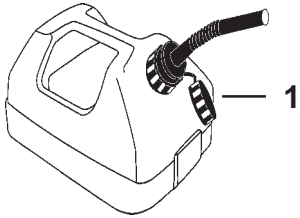
Special Tools	
Part No.	Description
18416	Electronic Tachometer
18774	Fuel Mix Tester
23488 C Thread Locking Compound
24982 03 T25 Torx Bit 6" Long
94194	Compression Tester
JA 31316 4 Spark Tester

PLEASE NOTE: Kit does not include blower.

11/8/2000

ACCESSORIES

d25mhv (25cc)
 z25mhv (25cc)
 d30mha (30cc)
 d30mhv (30cc)
 i25mhv (25cc)
 i30mhv (30cc)
 BVM160 (25cc)
 Vac Attack .. (25cc)
 HB25250 (25cc)
 HB30160 (30cc)



NO.	PART NO.	DESCRIPTION	Qty.
1	A 02976 A	GAS CAN 1 1/4 Gallon	
2	UP 06839	EAR PLUGS	
3	UP 06835	SAFETY GLASSES-Clear	
4	01231 D	EXACT MIX™ Oil - 1 pint (50:1)	
5	A 06778	GOGGLES	
6	UP 07694	EAR PROTECTORS	

For Parts Call 606-678-9623 or 606-561-4983

NOTES

For Parts Call 606-678-9623 or 606-561-4983

For product information, technical help, dealer locations or parts ordering information visit our website at:
www.homelite.com.

John Deere Consumer Products, Inc.
P.O. Box 7047
Charlotte, NC 28241
tel: USA only - 1-800-242-4672 / fax: 1-704-588-0926

John Deere Consumer Products Limited
Produits Consommateurs John Deere Limitée
1850-55e/th Avenue
Lachine, Québec, Canada H8T 3J5
tel: Canada only - 1-800-363-5715 / fax: Canada only - 1-800-665-1588

John Deere Consumer Products Europe B.V.
Haverstraat 24
2153 GB Nieuw Vennep
The Netherlands
tel: +31-252-687342 / fax: +31-252-687993

John Deere Consumer Products SARL
Rue du Paradis - BP 231 - Ormes
45144 Saint-Jean-De-La-Ruelle
Cedex, France
tel: 33-23-874-2630 / fax: 33-23-870-0279

John Deere Limited
A.C.N. 008 671 725
166-170 Magnesium Drive
Crestmead, Queensland 4132
Australia
tel: 61-7-3802-3222 / fax: 61-7-3803-6555

John Deere Consumer Products, Inc.

www.mymowerparts.com