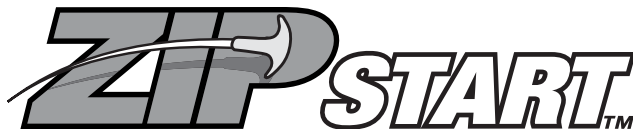
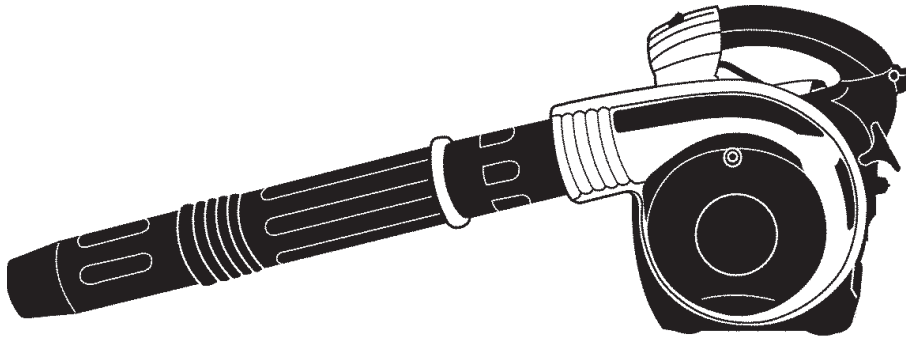


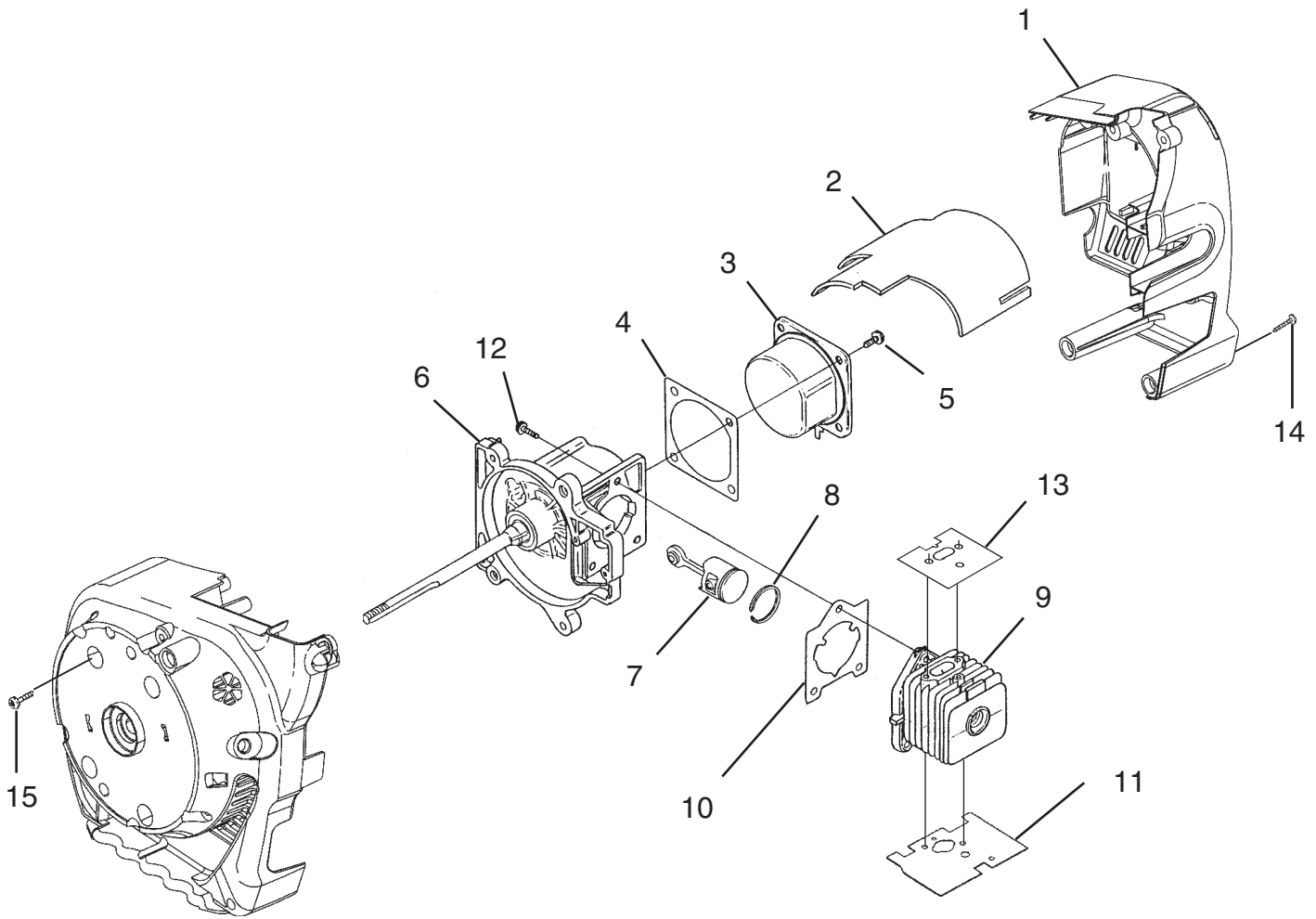
Homelite®

PARTS LIST



i25mhv.....UT08095 (25cc)

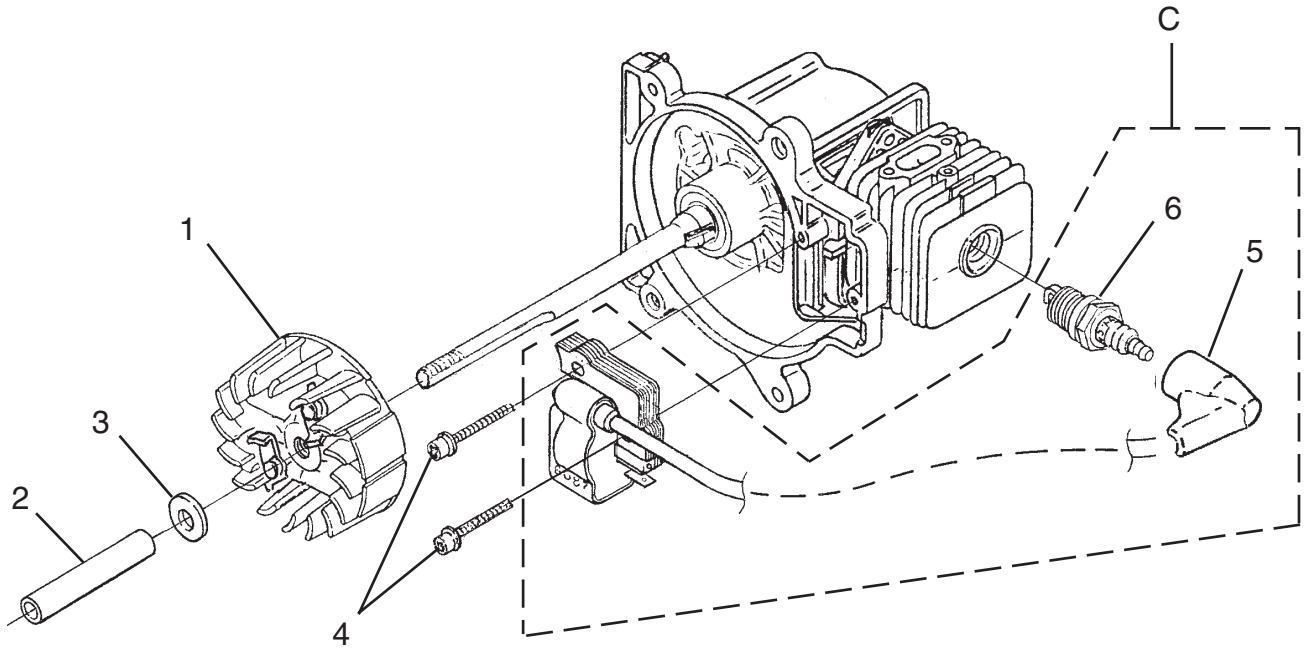
ENGINE INTERNAL



NO.	PART NO.	DESCRIPTION	Qty.
1	UP 04314A	Shroud	1
2	08107B	Heat Shield, Muffler	1
3	• UP 06543A	Crankcase Cover Kit	1
4	06443A	Gasket, C/Case	1
5	PS01565	Screw, Sems (10-24 x .560)	4
6	• UP 03369A	Short Block (Svc) (25cc)	1
7	• 984544001	Piston & Rod (25cc)	1
8	PS01359	Piston Ring (25cc)	1
9	• UP 04136A	Cylinder Kit (25cc)	1
10	04388B	Gasket, Cylinder	1
11	06900A	Gasket, Heat Dam	1
12	PS02807	Screw, Sems (12-24 x 3/4 in.)	3
13	00394B	Gasket, Muffler	1
14	82537	Screw, Thread Forming (10-14 x 7/8 in.)	5
15	82538	Tapite, Truss (10-24 x 3/4 in.)	4

Item No.	Torque Specs		Required Loctite
	In/Lbs	Nm	
5	35-45	4.0-5.1	262 Red
12	55-65	6.2-7.3	262 Red
14	30-40	3.4-4.6	
15	55-60	6.2-6.8	

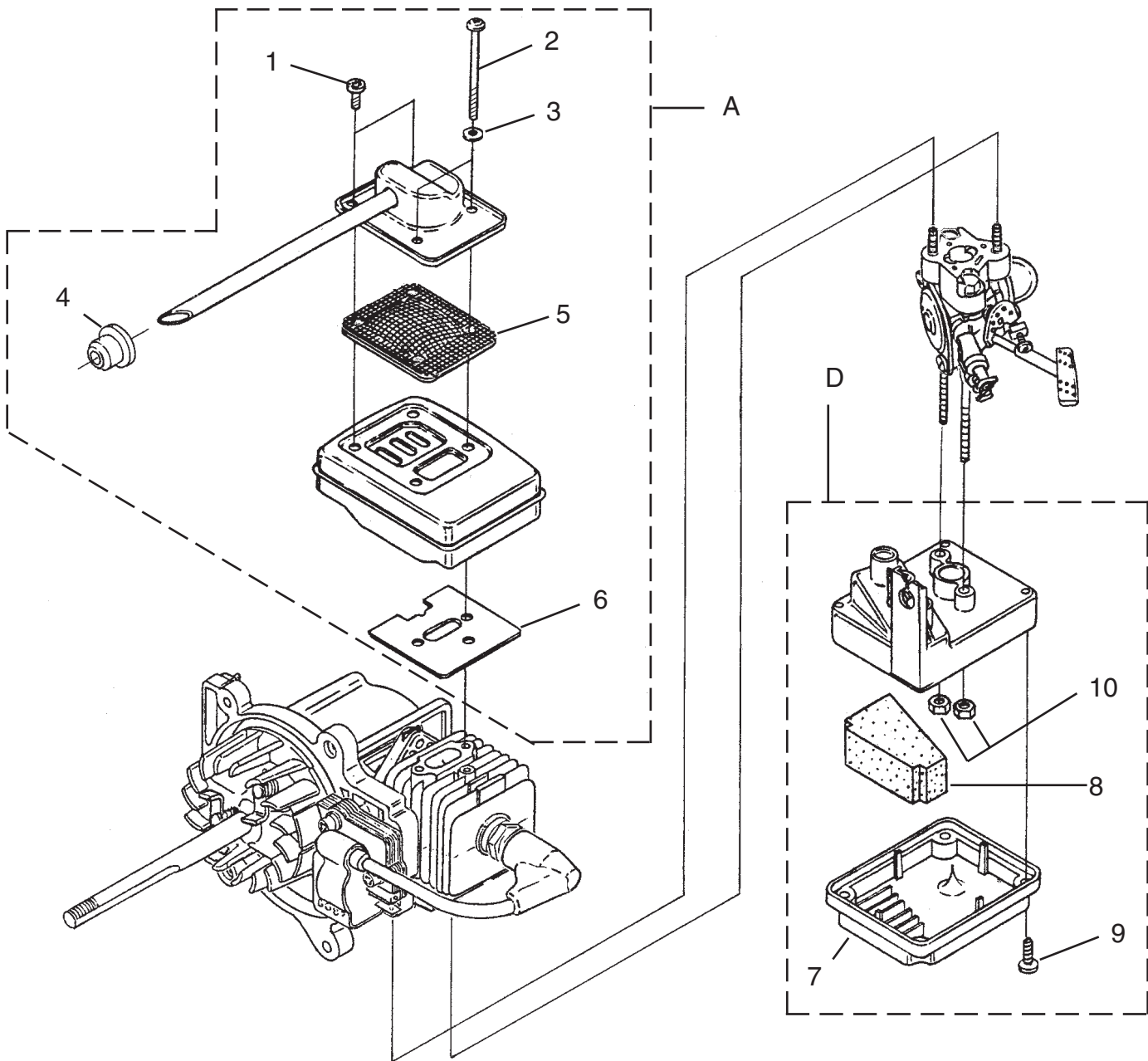
IGNITION



NO.	PART NO.	DESCRIPTION	Qty.
1	984531-001	Rotor & Starter Pawls	1
2	PS04650	Spacer	1
3	95479A	Washer, Flat	1
4	82540	Screw-Thread Forming (8-32 X 1)	2
C	•UP 06784	Ignition Kit w/Ignition Module	1
5	PS06232	Ignition Module	1
6	PS02227	Spark Plug	1

Item No.	Torque Specs		Required Loctite
	In/Lbs	Nm	
4	30-40	3.4-4.5	242 Blue
6	120-180	13.6-20.3	

MUFFLER - AIR CLEANER

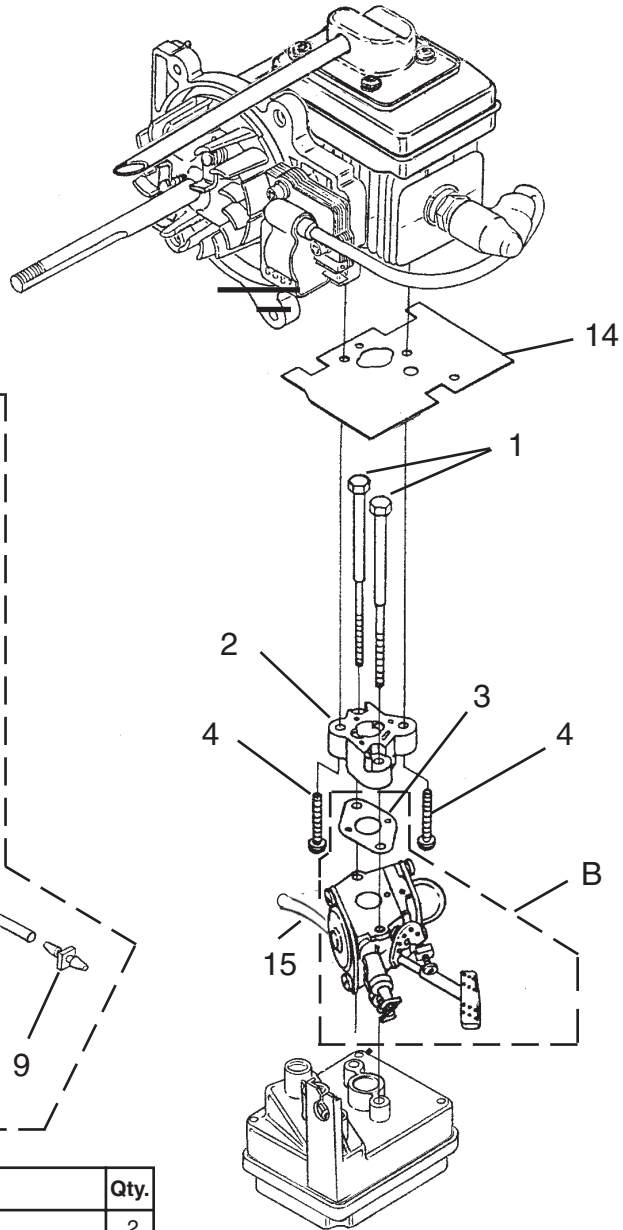
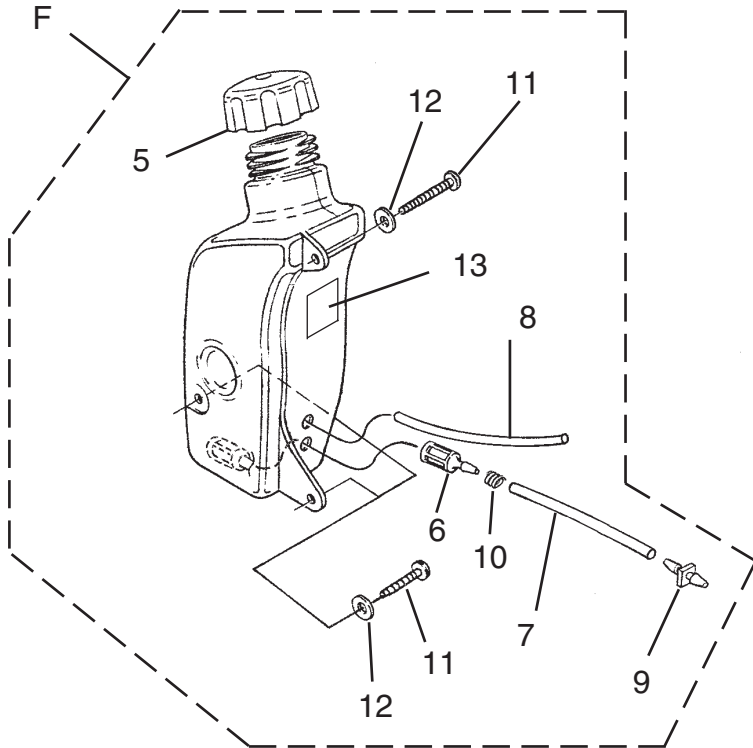


NO.	PART NO.	DESCRIPTION	Qty.
A	•UP 06823A	Muffler Assembly, Crimped	1
1	82600	Screw, Taptite (8-32 x 3/8 in.)	2
2	82613	Screw, Torx Truss Hd. (10-24 X 2.188")	2
3	12021	Washer, Conical #10	2
4	08104	Muffler Grommet	1
5	PS00429	Screen Assy., Spark	1
6	_00394B	Gasket, Muffler *	1
D	•UP 06824A	Air Filter Assembly	1
7	07547	Cover, Air Box	1
8	08108	Filter Element #1	1
9	82376	Screw, Thread Forming (8-16 X .50)	4
10	_07589	Nut, Lock Hex (10-24)	2

Item No.	Torque Specs		Required Loctite
	In/Lbs	Nm	
1	20-30	2.3-3.4	
2	50-60	5.6-6.8	
9	30-40	3.4-4.5	
10	30-40	3.4-4.5	

* Also included with Short Block and Cylinder Kits.

CARBURETOR - FUEL TANK



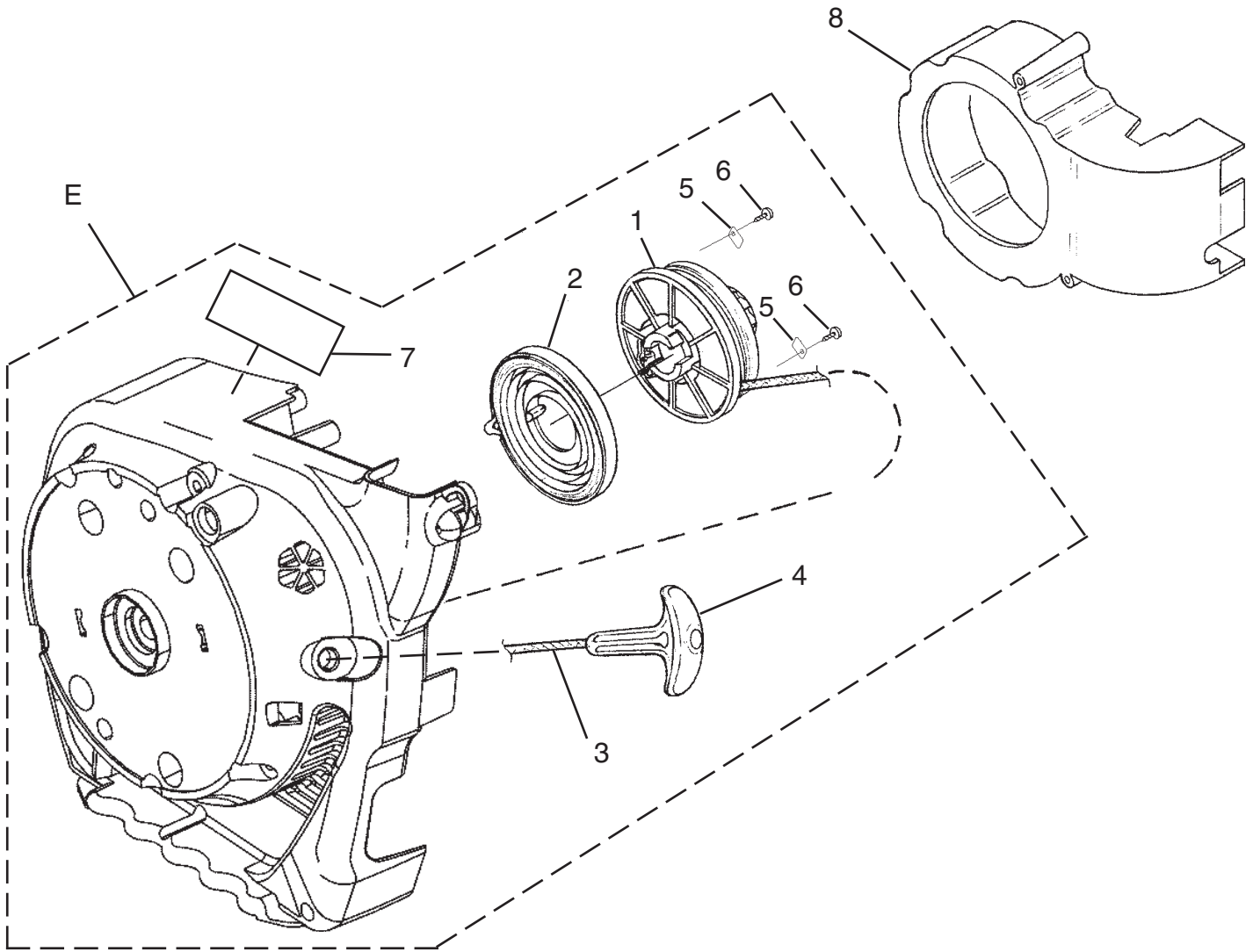
NO.	PART NO.	DESCRIPTION	Qty.
1	PS06881	Screw, Machine (10-24 x 2.8)	2
2	PS04357	Heat Dam	1
B	• UP00608A	Carburetor Kit	1
3	98766A	Gasket, Carburetor *	1
4	093221	Screw, Sems (10-24 x 1 in.) *	2
F	UP 00495A	Fuel Tank Assy.	1
5	A09116	Fuel Cap	1
6	PS03380	Fuel Filter	1
7	9477212	Tubing, Rubber (3")	1
8	0143920	Tubing, Rubber (5")	1
9	07332	Fitting, Inlet (small for 2.5mm ID fuel line)	1
10	98268	Clamp, Wire	1
11	82563	Screw, Thread Forming (10-14 x 3/4 in.)	3
12	12789	Washer	3
13	08684	Heat Shield	1
14	06900A	Gasket, Heat Dam *	1
15	0143920	Tubing, Rubber (5")	1

Item No.	Torque Specs		Required Loctite
	In/Lbs	Nm	
1	30-40	3.4-4.5 **	
4	50-60	5.6-6.8	262 Red
11	30-40	3.0-4.0	

** See Torque Specs, page 4 - Item 10

* Also included with Cylinder Kit.

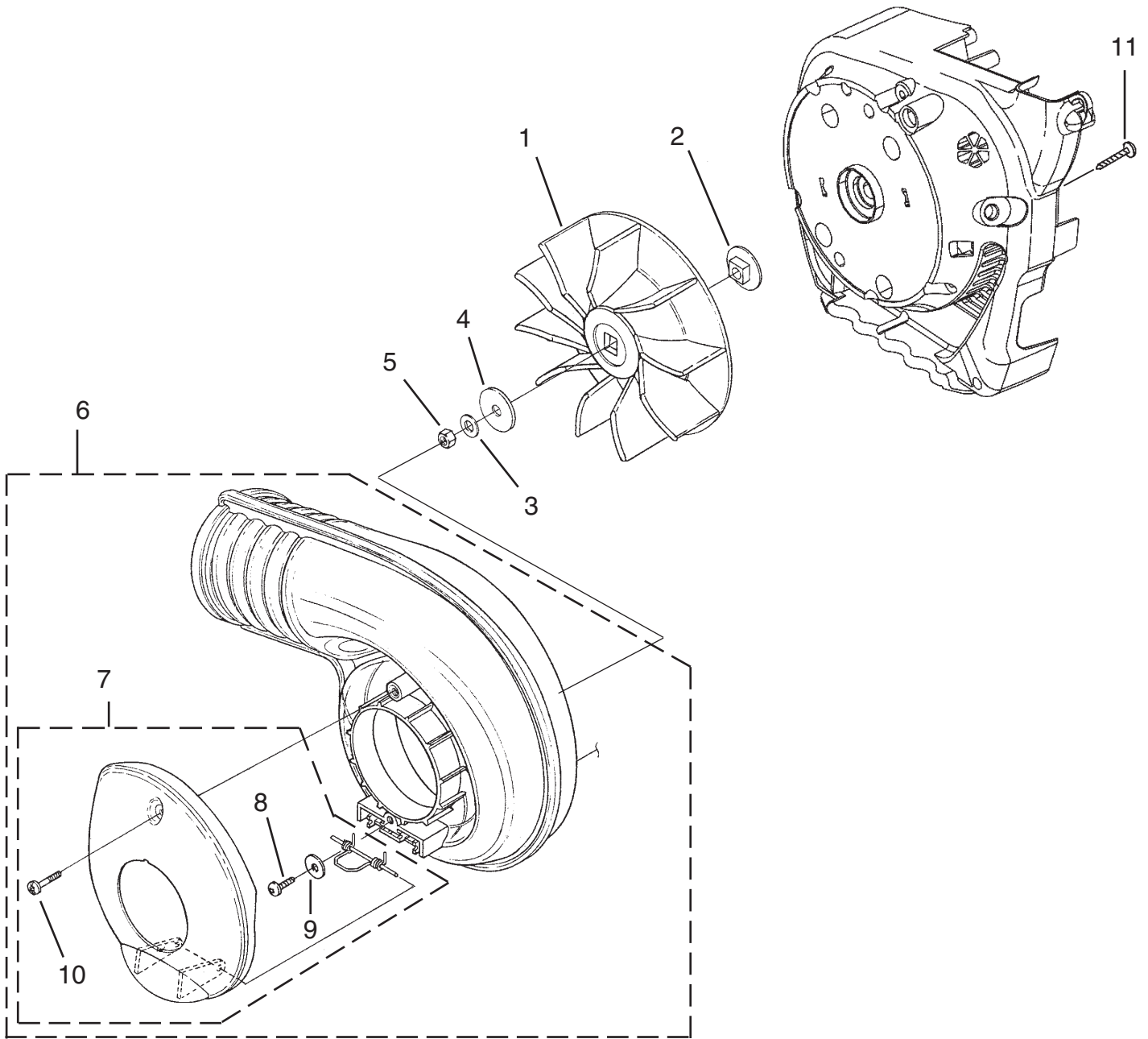
STARTER



NO.	PART NO.	DESCRIPTION	Qty.
E	• UP 00497A	Starter (Svc)	1
1	98770A	Pulley, Starter	1
2	A98773A	Spring & Container	1
3	9789902	Rope, Starter 42"	1
4	PS00179	Grip, Starter (Black)	1
5	98791	Bracket-Retaining	2
6	82541	Screw-Plastite (#10-1/2")	2
7	08501A	Start / Warning Decal	1
8	07614C	Scroll	1

Item No.	Torque Specs		Required Loctite
	In/Lbs	Nm	
6	30-40	3.4-4.5	

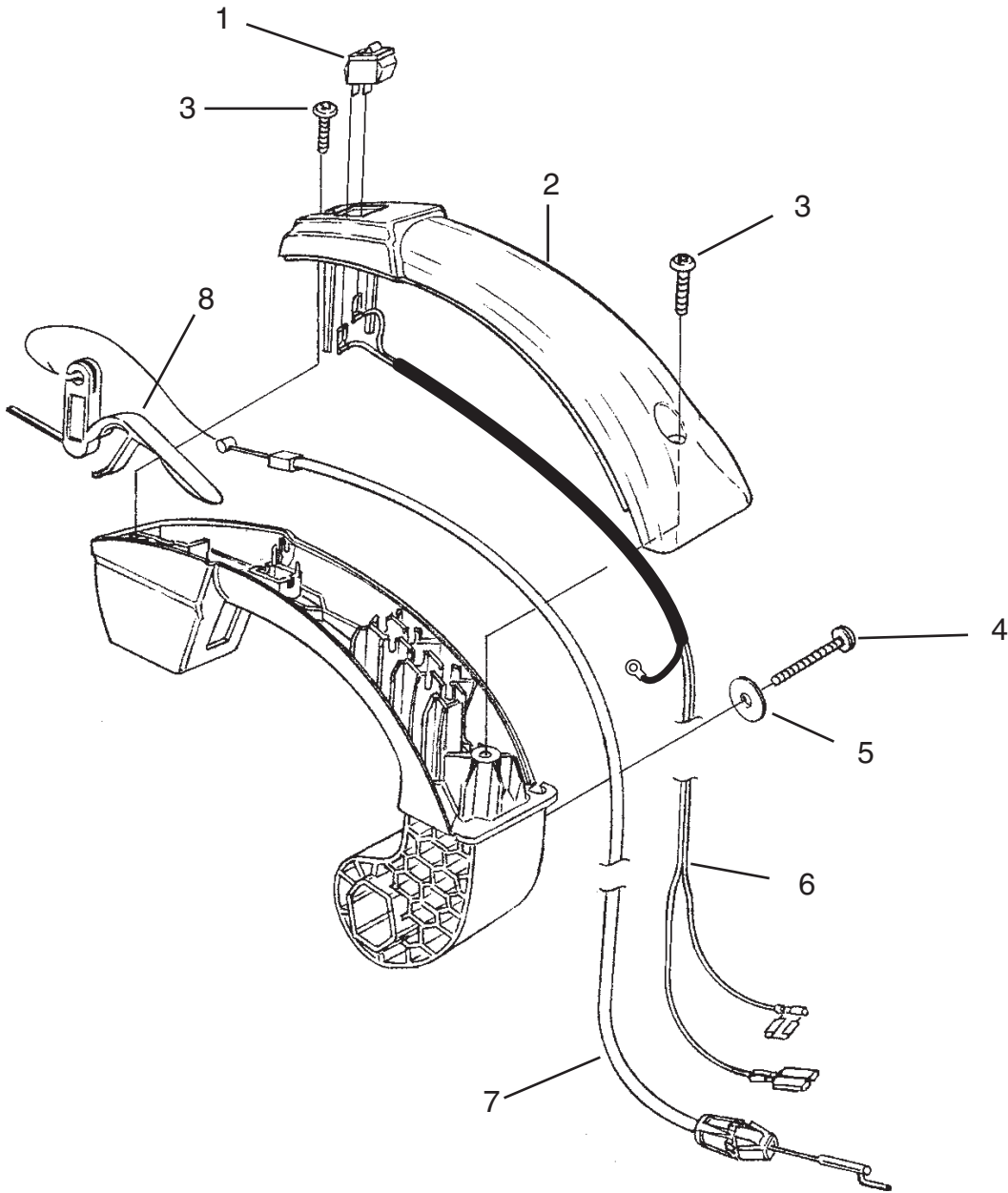
VOLUTE - FAN



NO.	PART NO.	DESCRIPTION	Qty.
1	07409	Fan	1
2	04335	Adapter, Fan	1
3	03163	Washer, Belleville	1
4	58833	Washer, Flat	1
5	81124A	Nut (3/8-24)	1
6	•UP 06899A	Volute W/Door Assembly	1
7	•UP 06898A	Access Door	1
8	82541	Screw, Thread Forming (10-14 X 1/2 in.)	1
9	95935	Washer	1
10	08204	Screw, Machine (10-24 X 3/4 in.)	1
11	82537	Screw, Plastite (10-14 X 7/8 in.)	5

Item No.	Torque Specs.		Required Loctite
	In/Lbs	Nm	
5	130-150	14.7-17.0	
8	30-40	3.4-4.5	
10	15-20	1.7-2.3	
11	35-45	4.0-5.0	

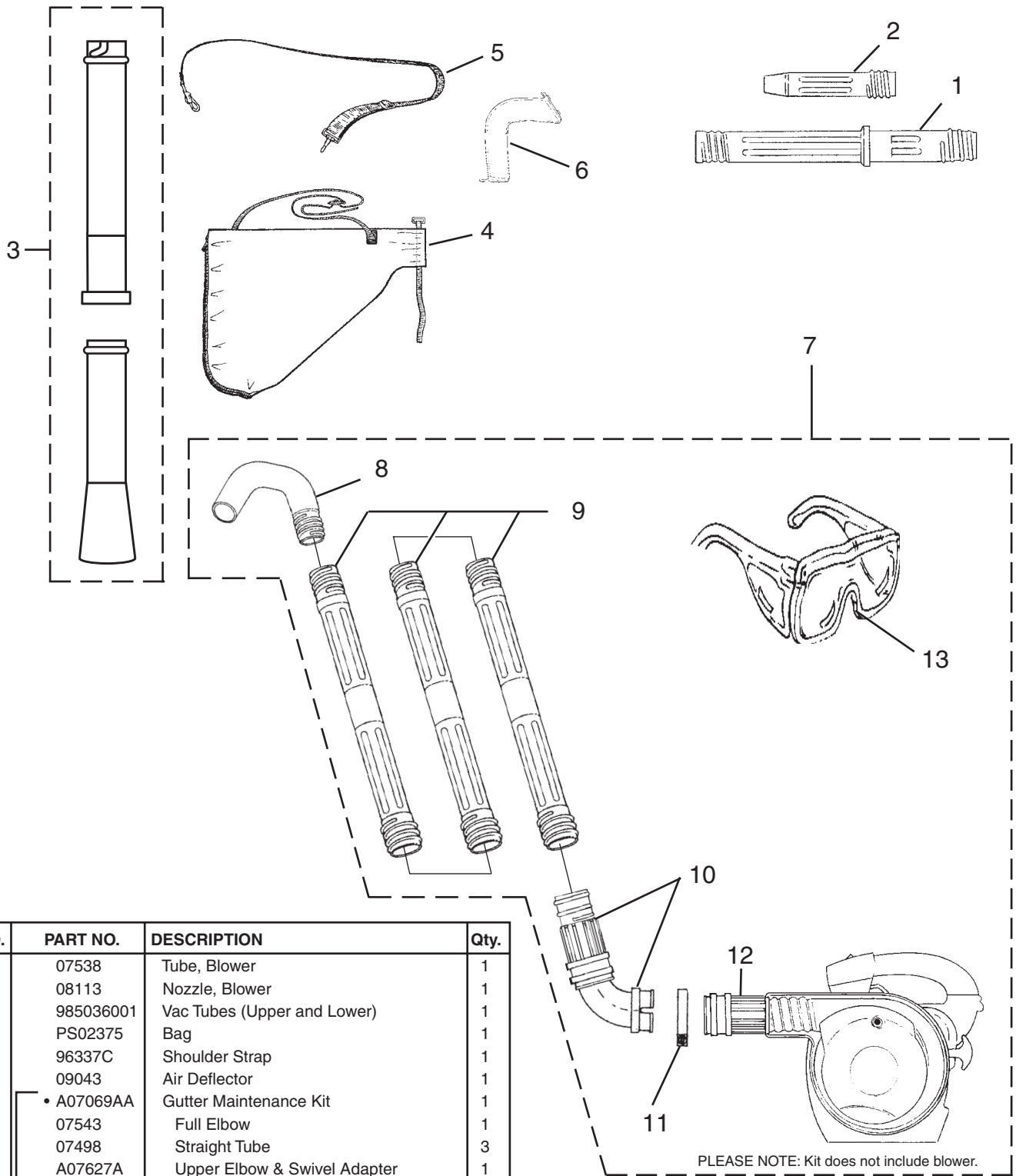
HANDLE



NO.	PART NO.	DESCRIPTION	QTY.
	985298001	Handle Assembly, Conductive	1
1	PS06163	Switch, Rocker (Stop)	1
2	984997001	Handle Cover	1
3	82546	Screw, Thread Forming (8-16 X 1/2)	2
4	82537	Screw, Thread Forming (10-14 X 7/8)	1
5	JA995620	Washer, Flat	1
6	985031001	Kill Switch Leads	1
7	08119	Cable, Throttle	1
8	08118A	Trigger	1

Item No.	Torque Specs.		Required Loctite
	In/Lbs	Nm	
3	10-25	1.1-2.8	
4	30-45	3.4-5.1	

TUBES - STRAP - ACCESSORIES



PLEASE NOTE: Kit does not include blower.

NO.	PART NO.	DESCRIPTION	Qty.
1	07538	Tube, Blower	1
2	08113	Nozzle, Blower	1
3	985036001	Vac Tubes (Upper and Lower)	1
4	PS02375	Bag	1
5	96337C	Shoulder Strap	1
6	09043	Air Deflector	1
7	• A07069AA	Gutter Maintenance Kit	1
8	07543	Full Elbow	1
9	07498	Straight Tube	3
10	A07627A	Upper Elbow & Swivel Adapter	1
11	004335	Large Clamp	1
12	08711A	Adapter, Gutter	1
13	02557A	Safety Glasses - Clear	1

Part No.	Special Tools Description
18416 Electronic Tachometer
18774 Fuel Mix Tester
23488 C Thread Locking Compound
24982 03 T25 Torx Bit 6" Long
94194 Compression Tester
JA 31316 4 Spark Tester

NOTES

NOTES

For product information, technical help, dealer locations or parts ordering information visit our website at: www.homelite.com.

Ryobi Technologies GmbH

Itterpark 7
D-40724 Hilden
Germany
Tel.: +49 (0)2103 / 29 58 0
Fax : +49 (0)2103 / 29 58 29
info@ryobi-rtg.de

Ryobi Technologies

Customer Services
Anvil House
Tuns Lane
Henley-on-Thames
RG9 1SA
UK

Homelite / R.T.S.A

BP 50012 - 95945 Roissy CDG Cedex – FRANCE

Ryobi Technologies Australia PTY Limited

359-361 Horsley Road, Milperra, NSW 2214 Australia