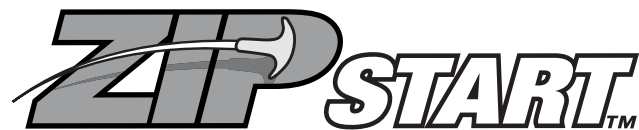


Homelite®

PARTS LIST

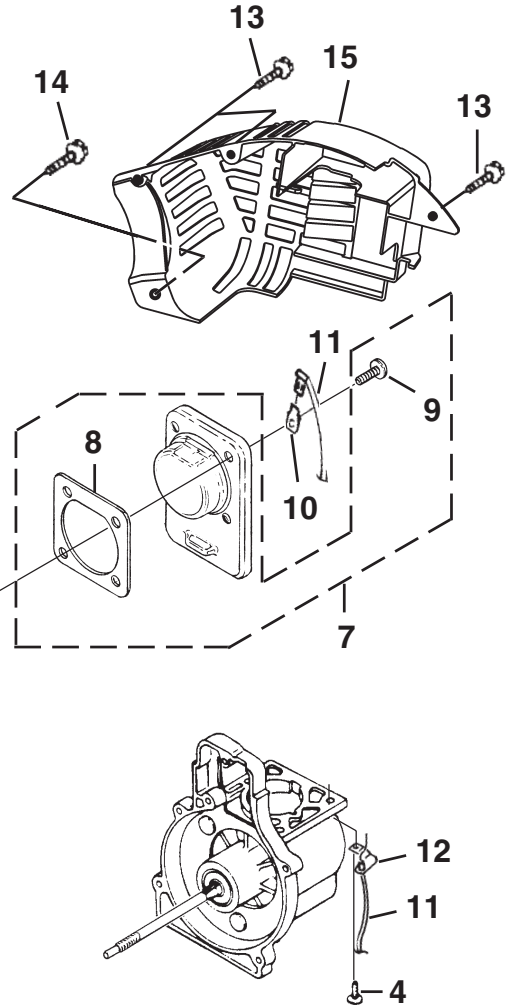
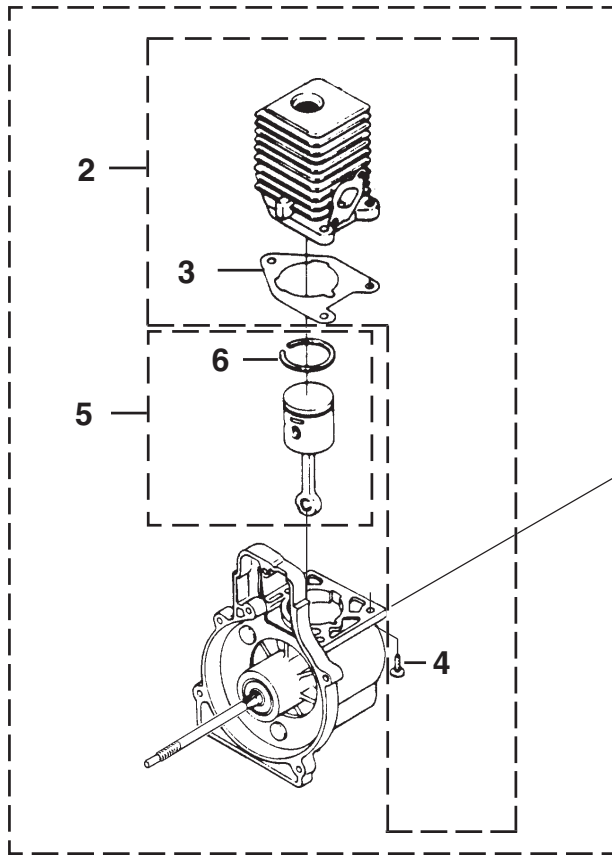
BLOWERS



| | |
|-------------------------|--------------------------------------|
| BackPacker™ | UT08017L, UT08083, UT08111, UT08111A |
| BBV25 | UT08103 |
| BP250 (I) | UT08097 |
| BP25175 | UT08101, UT08122 |
| d25mha | UT08080, UT08086, UT08108 |
| HB25155V | UT08099, UT08120 |
| Yard Sweeper™ | UT08081, UT08082, UT08106 |
| Yard Sweeper™ Vac | UT08119 |

ENGINE INTERNAL

| | |
|-------------------|--------|
| BackPacker™ | (25cc) |
| BBV25 | (25cc) |
| BP250 (I) | (25cc) |
| BP25175 | (25cc) |
| d25mha | (25cc) |
| HB25155V | (25cc) |
| Yard Sweeper™ | (25cc) |
| Yard Sweeper™ Vac | (25cc) |



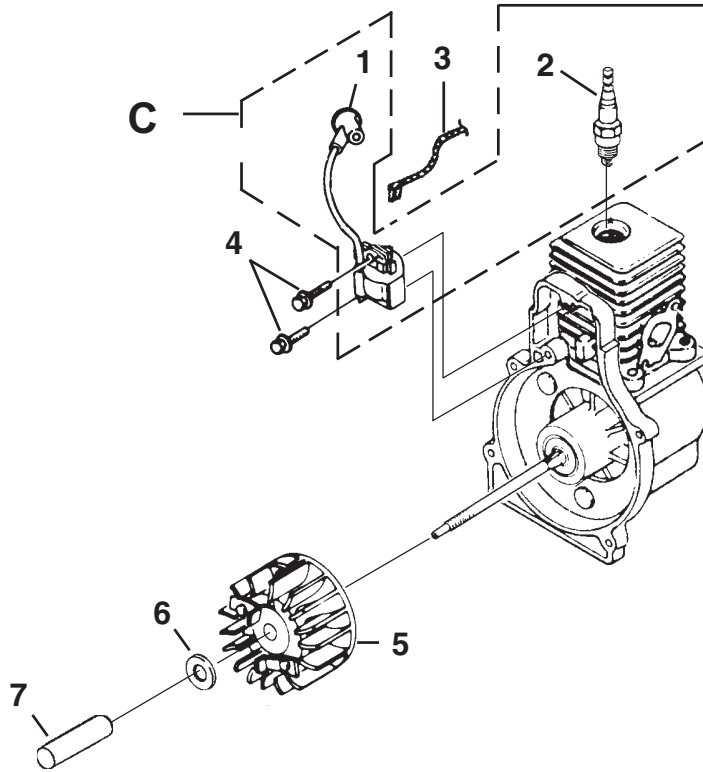
| NO. | PART NO. | DESCRIPTION | QTY. |
|-----|-------------|---|------|
| 1 | •UP 03369A | SHORT BLOCK (25cc) | 1 |
| 2 | •UP 04136A | 25 CC CYLINDER KIT | 1 |
| 3 | 04388B | GASKET-Cylinder | 1 |
| | 00394B | GASKET-Muffler (Not Shown) | 1 |
| | 00775A | GASKET-Heat Dam (Not Shown) | 1 |
| 4 | PS02807 | SCREW, SEMS (12-24 x 3/4) | 3 |
| 5 | •984544-001 | 25 CC PISTON & ROD | 1 |
| 6 | PS01359 | RING-Piston | 1 |
| 7 | •PS02130 | CRANKCASE COVER-Stamped Steel | 1 |
| 8 | 06443A | GASKET-Crankcase * | 1 |
| 9 | PS01565 | SCREW, SEMS (10-24 x .56) | 4 |
| 10 | 02851 | TAB-Male | 1 |
| 11 | PA00666 | CABLE-Throttle w/Ignition Leads (BackPacker™, BP250I, BP25175) | 1 |
| 12 | A01767 | CABLE BRACKET (BackPacker™, BP250I, BP25175) | 1 |
| 13 | 82376 | SCREW-Thread Form. (#8 X 1/2") | 3 |
| 14 | 82563 | SCREW-Thread Form. (#10 X 3/4") | 1 |
| 15 | UP 06522A | SHROUD | 1 |

| TORQUE SPECIFICATIONS | | | |
|-----------------------|--------|---------|------------------|
| Iten No. | In/Lbs | Nm | Required Loctite |
| 4 | 55-65 | 6.2-7.3 | 262 Red |
| 9 | 55-65 | 6.2-7.3 | 262 Red |
| 13 | 8-12 | .9-1.4 | |
| 14 | 20-30 | 2.3-3.4 | |

* Also included with Cylinder Kits.

IGNITION with ROTOR

| | | |
|-------------------|-------|--------|
| BackPacker™ | | (25cc) |
| BBV25 | | (25cc) |
| BP250 (I) | | (25cc) |
| BP25175 | | (25cc) |
| d25mha | | (25cc) |
| HB25155V | | (25cc) |
| Yard Sweeper™ | | (25cc) |
| Yard Sweeper™ Vac | | (25cc) |

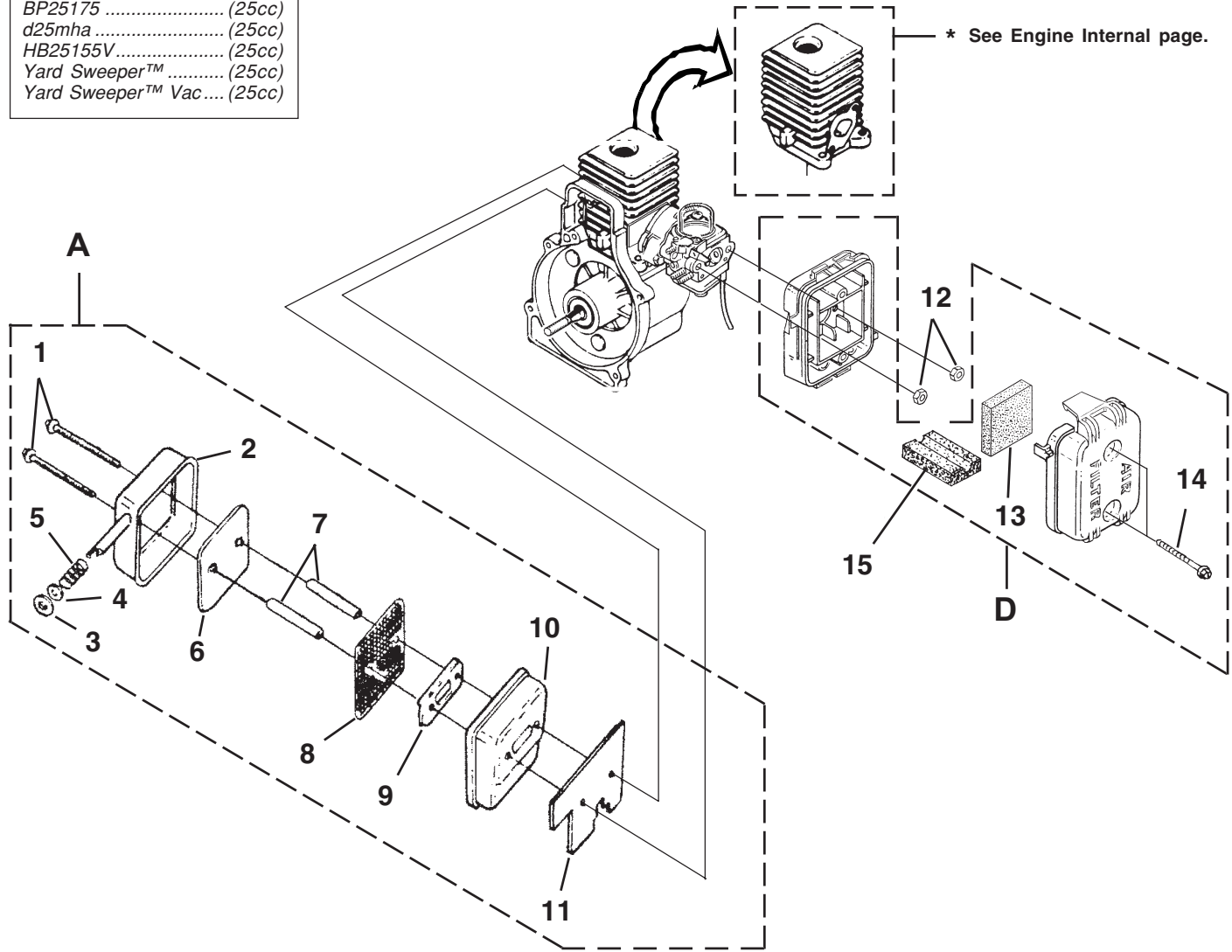


| NO. | PART NO. | DESCRIPTION | QTY. |
|-----|------------|---|------|
| C | •UP 06784 | IGNITION KIT w/ Module | 1 |
| 1 | UP 03868 | TERMINAL-Hi-Tension | 1 |
| 2 | PSO2227 | SPARK PLUG (RDJ-7Y) | 1 |
| 3 | PA00666 | CABLE-Throttle w/Ignition Leads (BackPacker™, BP250I, BP25175) | 1 |
| 4 | 82540 | SCREW-Thread Form. (8-32 x 1") | 2 |
| 5 | 984531-001 | ROTOR & STARTER PAWLS | 1 |
| 6 | 95479A | WASHER-Flat | 1 |
| 7 | PSO3566 | SPACER-Fan | 1 |

| TORQUE SPECIFICATIONS | | | |
|-----------------------|---------|-----------|------------------|
| Item No. | In/Lbs | Nm | Required Loctite |
| 2 | 120-180 | 13.6-20.3 | |
| 4 | 30-40 | 3.4-4.5 | 242 Blue |

MUFFLER and AIR CLEANER

- BackPacker™ (25cc)
- BBV25 (25cc)
- BP250 (I) (25cc)
- BP25175 (25cc)
- d25mha (25cc)
- HB25155V (25cc)
- Yard Sweeper™ (25cc)
- Yard Sweeper™ Vac..... (25cc)



| NO. | PART NO. | DESCRIPTION | QTY. |
|-----|------------|-------------------------------------|------|
| A | • PA01181 | MUFFLER-Complete | 1 |
| 1 | 88060 | SCREW-Sems Hex Hd. (10-24 x 2 1/2") | 2 |
| 2 | A00366 | MUFFLER COVER | 1 |
| 3 | 00381 | WASHER-Insulating | 1 |
| 4 | 84117 | WASHER-Flat | 1 |
| 5 | 00387 | SPRING-Compression | 1 |
| 6 | 00777 | DEFLECTOR-Muffler | 1 |
| 7 | 04785 | SPACER-Muffler | 2 |
| 8 | 00388B | SCREEN-Spark Arrestor | 1 |
| 9 | 98783 | PLATE-Reinforcing | 1 |
| 10 | 98781 | BODY-Muffler | 1 |
| 11 | 00394B | GASKET-Muffler * | 1 |
| 12 | 81208 | NUT-Hex (10-24) | 2 |
| D | • UP 00011 | AIR FILTER KIT | 1 |
| 13 | 98760 | AIR FILTER | 1 |
| 14 | 093221 | SCREW-Thd. Form. (#8-16 x 3/4") | 2 |
| 15 | 04857 | FOAM AIR FILTER ** | 1 |

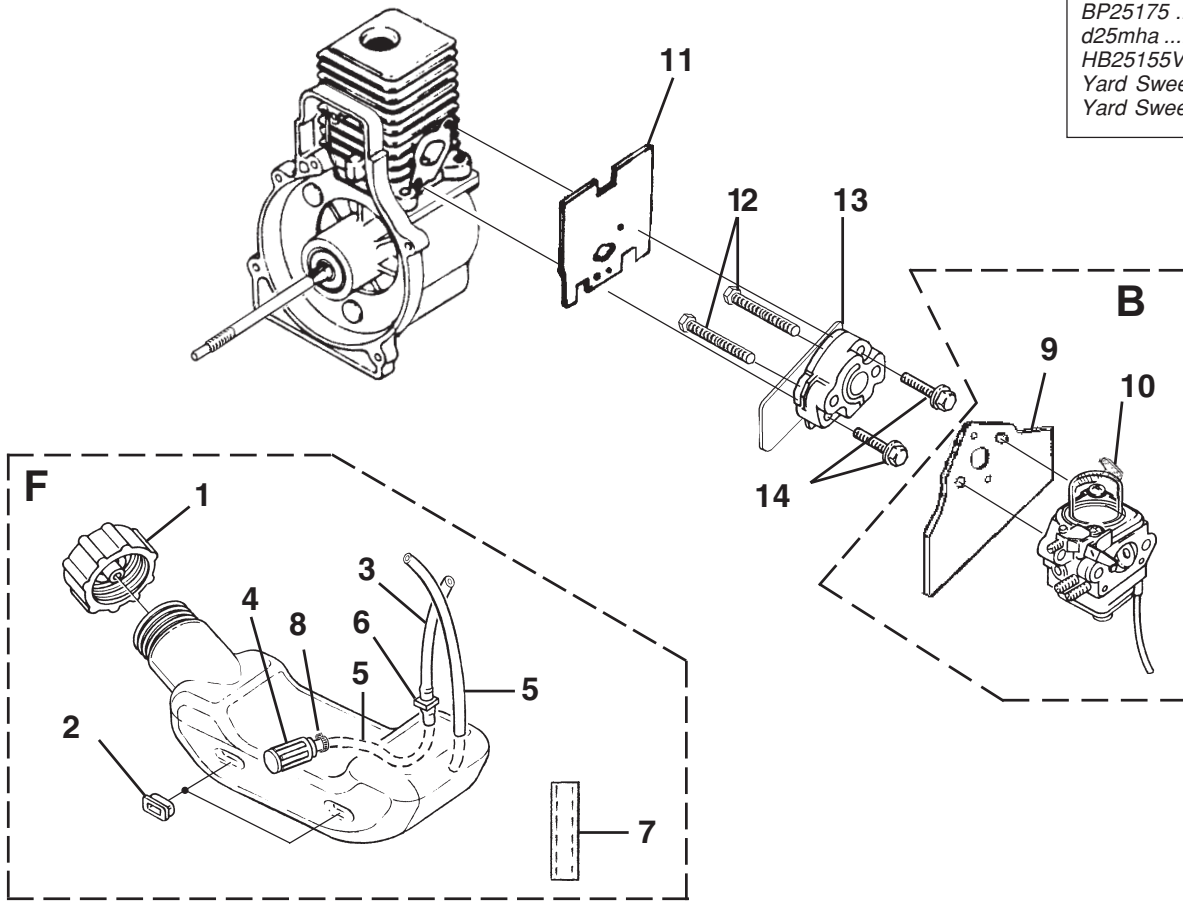
| TORQUE SPECIFICATIONS | | | |
|-----------------------|--------|---------|------------------|
| Item No. | In/Lbs | Nm | Required Loctite |
| 1 | 40-50 | 4.5-5.6 | |
| 12 | 30-40 | 3.4-4.5 | |
| 14 | 30-40 | 3.4-4.5 | |

* Also included with Short block & Cylinder Kits.

** Not used on UT08111 and UT08111A

CARBURETOR and FUEL TANK

| | |
|-----------------------|--------|
| BackPacker™ | (25cc) |
| BBV25 | (25cc) |
| BP250 (I) | (25cc) |
| BP25175 | (25cc) |
| d25mha | (25cc) |
| HB25155V | (25cc) |
| Yard Sweeper™ | (25cc) |
| Yard Sweeper™ Vac.... | (25cc) |



| NO. | PART NO. | DESCRIPTION | QTY. |
|-----|-------------|--|------|
| F | • UP 00136A | FUEL TANK KIT | 1 |
| 1 | AO9116 | FUEL CAP (1 5/8" Opening) | 1 |
| 2 | 98792 | BUMPER-Rubber | 3 |
| 3 | 0143922 | TUBING-Rubber (5.5") | 1 |
| 4 | PSO3380 | FUEL FILTER | 1 |
| 5 | 9477225 | TUBING-Rubber (6 1/4") | 2 |
| 6 | 07332 | Fitting, Inlet (small for 2.5mm ID fuel line) | 1 |
| | 02067 | Fitting, Inlet (large for 3mm ID fuel line) | 1 |
| 7 | 4283309 | INSULATION-Tubing | 1 |
| 8 | 98268 | CLAMP | 1 |
| | 06443A | GASKET-Crankcase (Not shown) | 1 |
| | PS01565 | SCREW, Sems (10-24 x .56) (Not Shown) | 4 |
| B | • UP 00010A | CARBURETOR KIT | 1 |
| 9 | 987661 | GASKET-Carburetor * | 1 |
| 10 | UP 03943 | LEVER-Choke (Walbro WT419,WT469) | 1 |
| B | • UP 00652 | CARBURETOR KIT (BackPacker™, BP250I, BP25175) | 1 |
| 9 | 98766A | GASKET-Carburetor * | 1 |
| 10 | UP 03943 | LEVER-Choke (Walbro WT419,WT469) | 1 |
| 11 | 00775A | GASKET-Heat Dam * | 1 |
| 12 | 04474 | CARB. BOLT | 2 |
| 13 | 98768A | HEAT DAM | 1 |
| 14 | 093221 | SCREW, SEMS (10-24 x 1.110) | 2 |

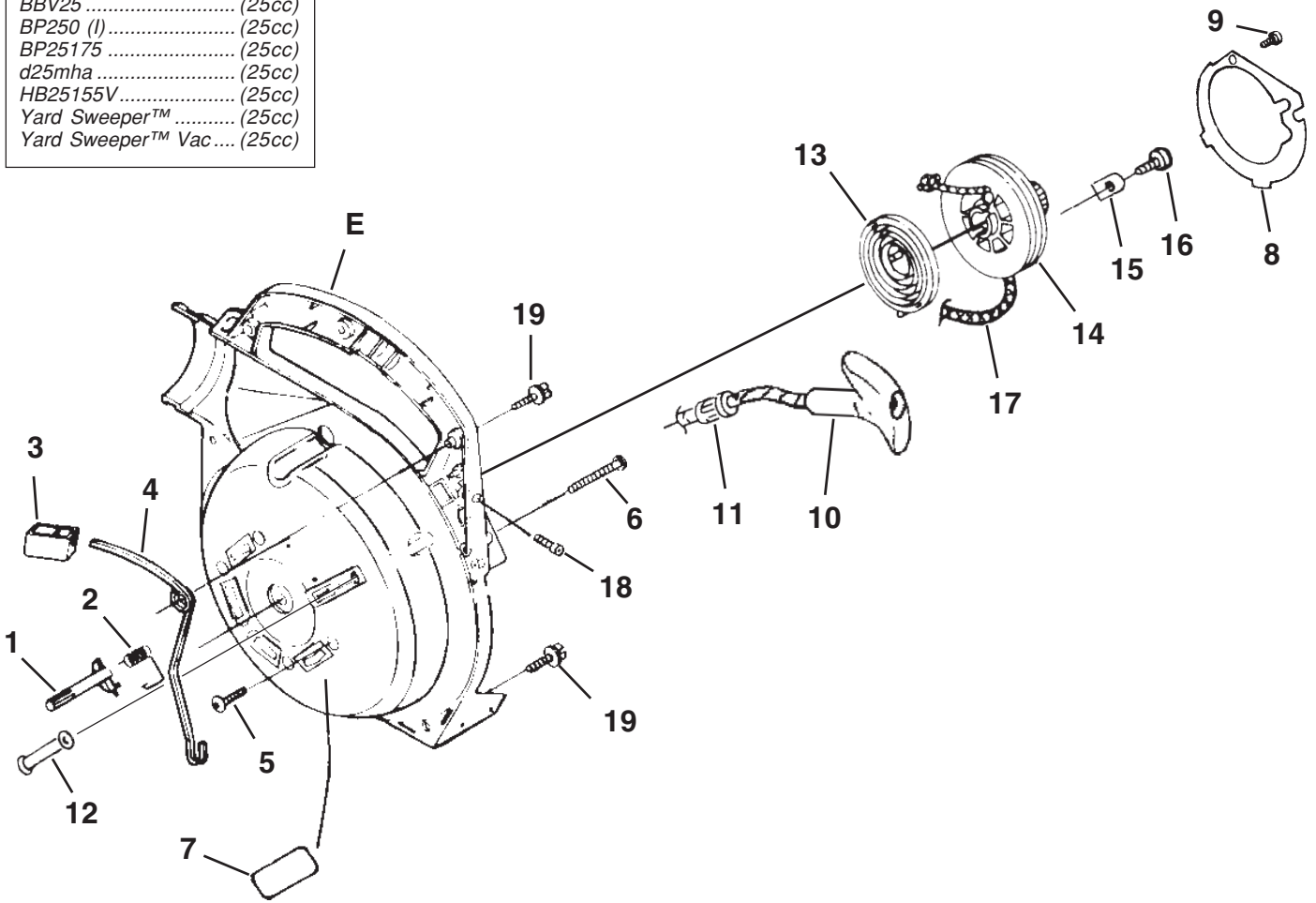
| TORQUE SPECIFICATIONS | | | |
|-----------------------|--------|---------|------------------|
| Item No. | In/Lbs | Nm | Required Loctite |
| 12 | 30-40 | 3.4-4.5 | |
| 14 | 40-50 | 4.5-5.6 | 262 Red |

10/23/2003

* Also included with Cylinder Kits.

STARTER

- BackPacker™ (25cc)
- BBV25 (25cc)
- BP250 (I) (25cc)
- BP25175 (25cc)
- d25mha (25cc)
- HB25155V (25cc)
- Yard Sweeper™ (25cc)
- Yard Sweeper™ Vac..... (25cc)



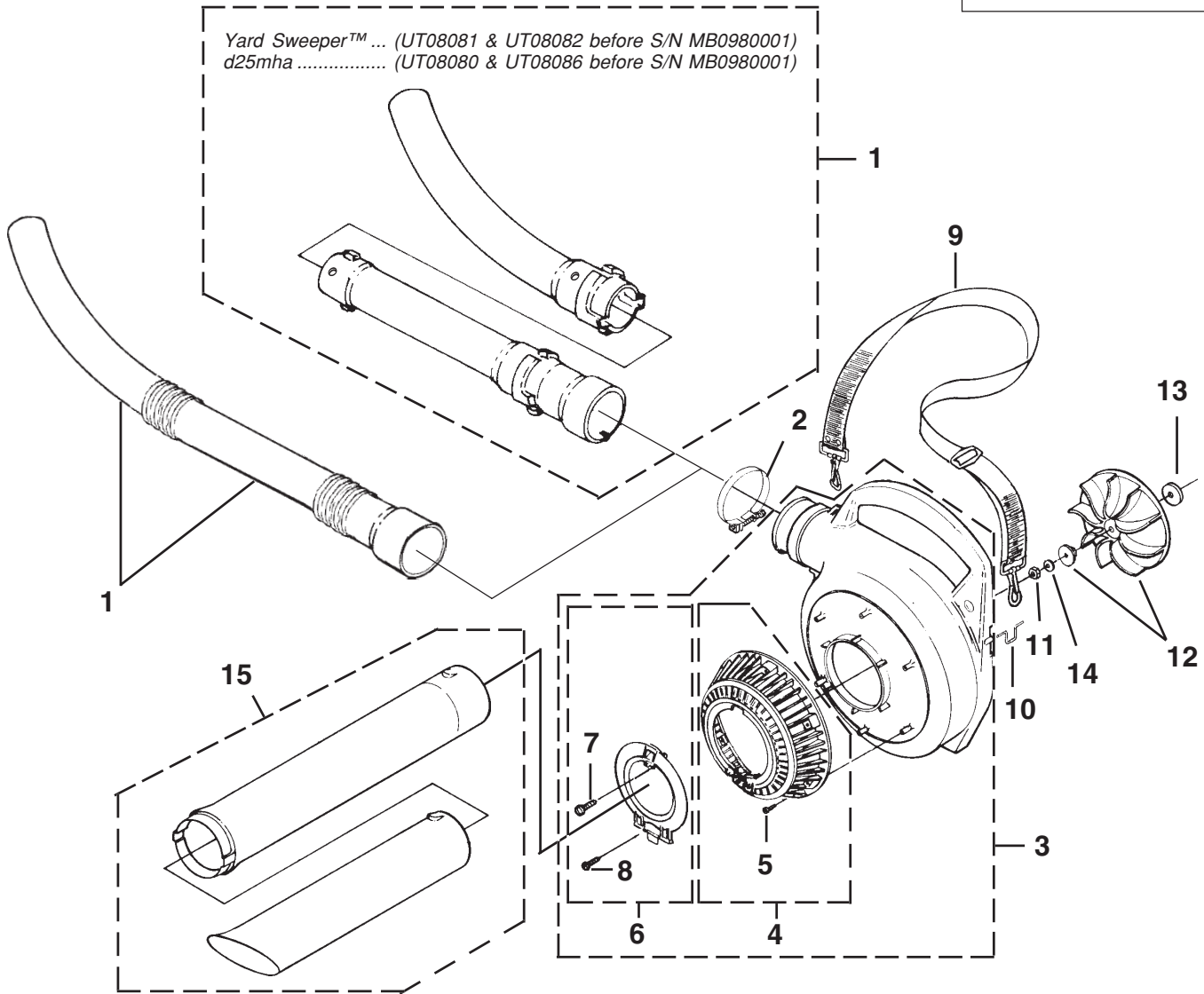
| NO. | PART NO. | DESCRIPTION | QTY. |
|-----|------------|-----------------------------------|------|
| 1 | 00368A | LATCH-Throttle ** | 1 |
| 2 | 00370 | SPRING-Throttle Latch ** | 1 |
| 3 | 00367 | TRIGGER-Throttle ** | 1 |
| 4 | 00369A | LEVER-Throttle ** | 1 |
| 5 | 82538 | SCREW-Thread Form. (10-24 X 3/4") | 4 |
| 6 | JA416903 | SCREW-Thread Form. (#10 X 1 5/8") | 1 |
| E | •UP 06792A | VOLUTE HOUSING & STARTER | 1 |
| 7 | UP03822A | KIT-Sealing ** | 1 |
| 8 | 00374 | PLATE-Rotor | 1 |
| 9 | 82528 | SCREW-Thread Form. (#6 X 1 3/8") | 1 |
| 10 | 5946702 | GRIP-Starter (Yellow) ** | 1 |
| | PSO1200 | GRIP-Starter (Yellow) | 1 |
| 11 | 969811A | BUSHING-Starter | 1 |
| 12 | 00364B | GUIDE-Starter Rope | 1 |
| 13 | A98773A | SPRING & CONTAINER | 1 |
| 14 | 98770A | PULLEY-Starter | 1 |
| 15 | 98791 | BRACKET-Retaining | 2 |
| 16 | 82541 | SCREW-Thread Form. (#10 X 1/2") | 2 |
| 17 | 9789901 | ROPE-Starter | 1 |
| 18 | PS82146 | SCREW-Phil. Hd. (8-32 X 5/8") ** | 1 |
| 19 | 82563 | SCREW-Thread Form. (10-24 X 3/4") | 5 |

| TORQUE SPECIFICATIONS | | | |
|-----------------------|--------|---------|------------------|
| Item No. | In/Lbs | Nm | Required Loctite |
| 5 | 55-60 | 6.2-6.8 | |
| 6 | 20-30 | 2.3-3.4 | |
| 9 | 8-12 | .9-1.4 | |
| 16 | 30-40 | 3.4-4.5 | |
| 18 | 20-30 | 2.3-3.4 | |
| 19 | 20-30 | 2.3-3.4 | |

** Not used on UT08111 and UT08111A

VOLUTE, FAN & TUBES

d25mha (25cc)
 HB25155V..... (25cc)
 Yard Sweeper™ (25cc)
 Yard Sweeper™ Vac.... (25cc)



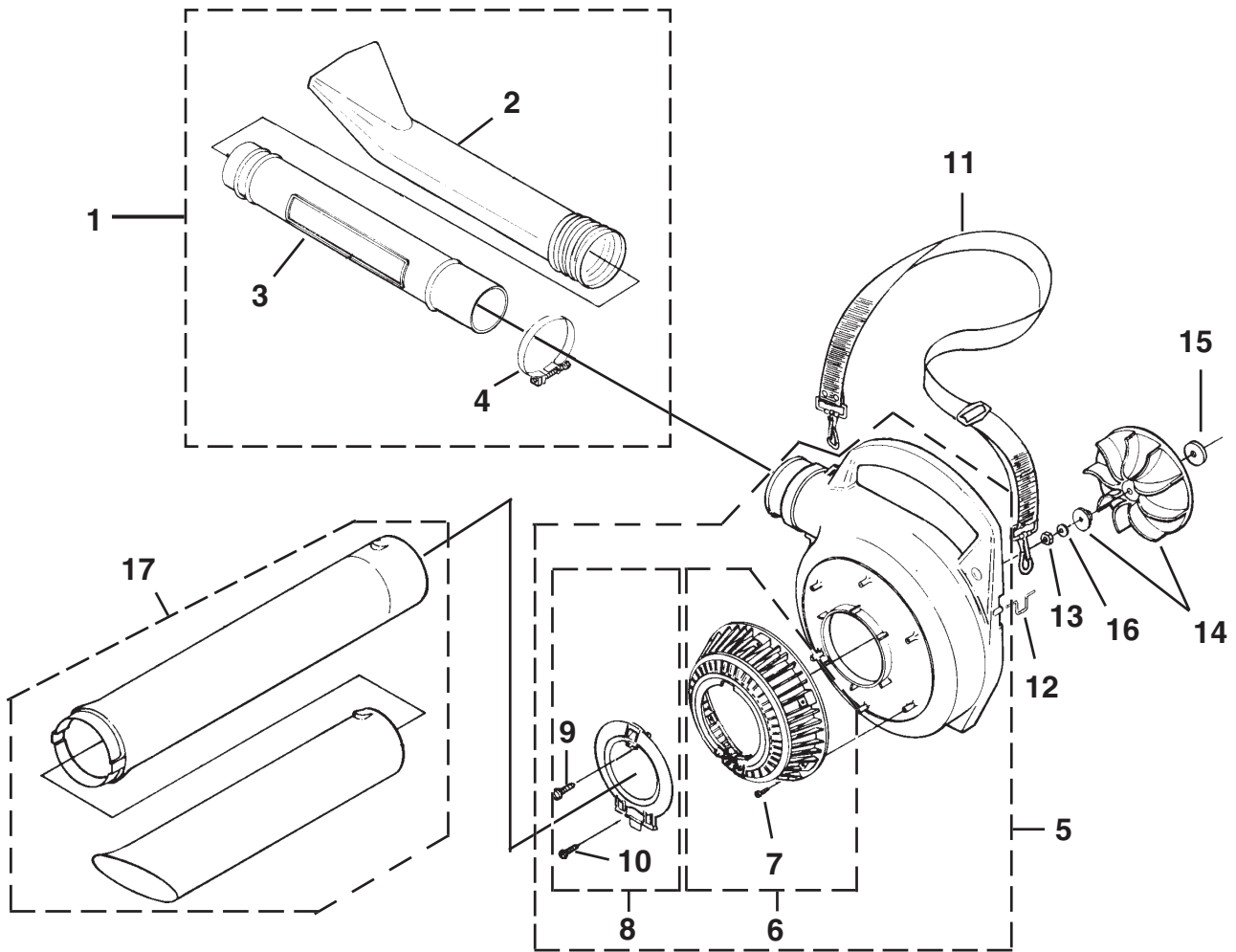
| NO. | PART NO. | DESCRIPTION | QTY. |
|-----|-------------|--|------|
| 1 | 984917-001 | BLOWER TUBE KIT | 1 |
| 2 | 00433B | CLAMP w/Fasteners | 1 |
| 3 | 984918-001 | VOLUTE HOUSING KIT | 1 |
| 4 | •UP 06720A | BLOWER VAC GRILLE KIT | 1 |
| 5 | 82528 | SCREW-Thread Form. (#6 X 3/8") | 6 |
| 6 | •984910-001 | ACCESS DOOR KIT | 1 |
| 7 | 82312 | SCREW-Thread Rolling (#10 X 5/8") | 1 |
| 8 | 82376 | SCREW-Thread Form. (#8 X 1/2") | 1 |
| 9 | 96337C | SHOULDER STRAP | 1 |
| 10 | 00398 | WIRE LOOP | 1 |
| 11 | 81124A | NUT-Hex (3/8-24) | 1 |
| 12 | UP 06826A | BLOWER FAN KIT | 1 |
| 13 | 03165 | WASHER-Flat | 2 |
| 14 | 03163 | WASHER-Bellville (3/8") | 1 |
| 15 | UP 06705A | VACCUM TUBE KIT (Vacuum units only) | 1 |

| TORQUE SPECIFICATIONS | | | |
|-----------------------|---------|-----------|------------------|
| Item No. | In/Lbs | Nm | Required Loctite |
| 5 | 8-12 | .9-1.4 | |
| 7 | 10-20 | 1.1-2.3 | |
| 8 | 8-12 | .9-1.4 | |
| 11 | 130-150 | 14.7-16.9 | |

1/30/2004

BBV25 (25cc)

VOLUTE, FAN & TUBES

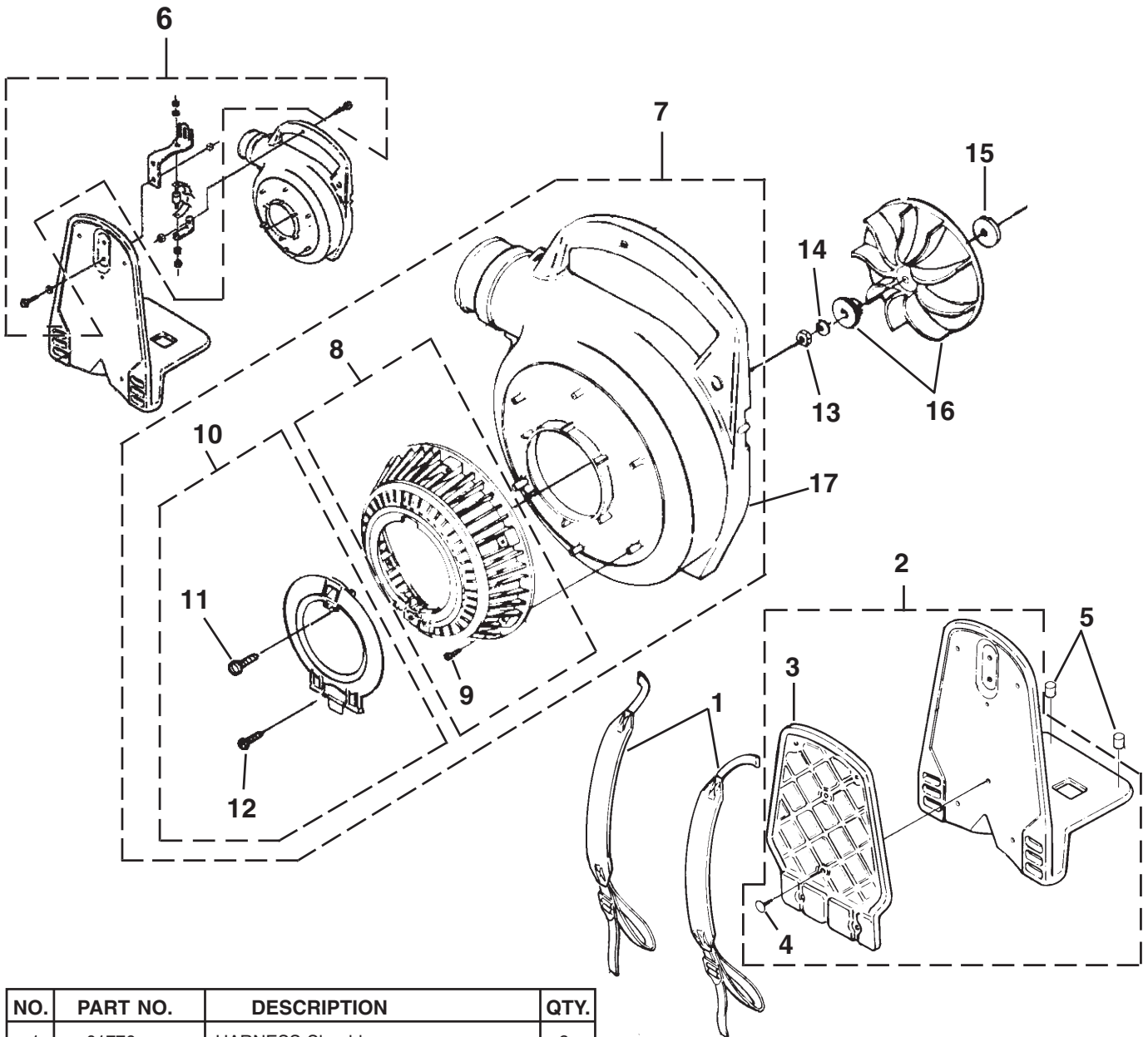


| NO. | PART NO. | DESCRIPTION | QTY. |
|-----|--------------|--|------|
| 1 | • UP 06741A | BLOWER TUBE KIT | 1 |
| 2 | 00373A | NOZZLE-Sweeper | 1 |
| 3 | 00372B | TUBE | 1 |
| 4 | 00433B | CLAMP w/Fasteners | 1 |
| 5 | • 984918-001 | VOLUTE HOUSING KIT | 1 |
| 6 | • UP 06720A | BLOWER VAC GRILLE KIT | 1 |
| 7 | 82528 | SCREW-Thread Form. (#6 X 3/8") | 6 |
| 8 | • 984910-001 | ACCESS DOOR KIT | 1 |
| 9 | 82312 | SCREW-Thread Rolling (#10 X 5/8") | 1 |
| 10 | 82376 | SCREW-Thread Form. (#8 X 1/2") | 1 |
| 11 | 96337C | SHOULDER STRAP | 1 |
| 12 | 00398 | WIRE LOOP | 1 |
| 13 | 81124A | NUT-Hex (3/8-24) | 1 |
| 14 | UP 06826A | BLOWER FAN KIT | 1 |
| 15 | 03165 | WASHER-Flat | 2 |
| 16 | 03163 | WASHER-Bellville (3/8") | 1 |
| 17 | UP 06705A | VACUUM TUBE KIT (Vacuum units only) | 1 |

| TORQUE SPECIFICATIONS | | | |
|-----------------------|---------|-----------|------------------|
| Item No. | In/Lbs | Nm | Required Loctite |
| 7 | 8-12 | .9-1.4 | |
| 9 | 10-20 | 1.1-2.3 | |
| 10 | 8-12 | .9-1.4 | |
| 13 | 130-150 | 14.7-16.9 | |

BACK PACK, TUBE KIT & HANDLE

BackPacker™ (25cc)
 BP250 (I) (25cc)
 BP25175 (25cc)



| NO. | PART NO. | DESCRIPTION | QTY. |
|-----|--------------|--|------|
| 1 | 01776 | HARNES-Shoulder | 2 |
| 2 | • UP04405A | FRAME-Blower | 1 |
| 3 | PSO2023 | PAD-Foam | 1 |
| 4 | 01783 | CLIP-Push | 6 |
| 5 | 01770A | VIBRATION ISOLATOR | 2 |
| 6 | UP 06885A | VIBRATION ISOLATOR KIT (One included in #6 kit) | 1 |
| 7 | • 984918-001 | VOLUTE HOUSING KIT ** | 1 |
| 8 | • UP 06720A | BLOWER VAC GRILLE KIT | 1 |
| 9 | 82528 | SCREW-Thread Form. (#6 X 3/8") | 6 |
| 10 | • 984910-001 | ACCESS DOOR KIT ** | 1 |
| 11 | 82312 | SCREW-Thread Rolling (#10 X 5/8") ** | 1 |
| 12 | 82376 | SCREW-Thread Form. (#8 X 1/2") | 1 |
| 13 | 81124A | NUT-Hex (3/8-24) | 1 |
| 14 | 03163 | WASHER-Bellville (3/8") | 1 |
| 15 | 03165 | WASHER-Flat | 2 |
| 16 | UP 06826A | BLOWER FAN KIT | 1 |
| 17 | 985121-001 | VOLUTE OUTER - SVC | 1 |

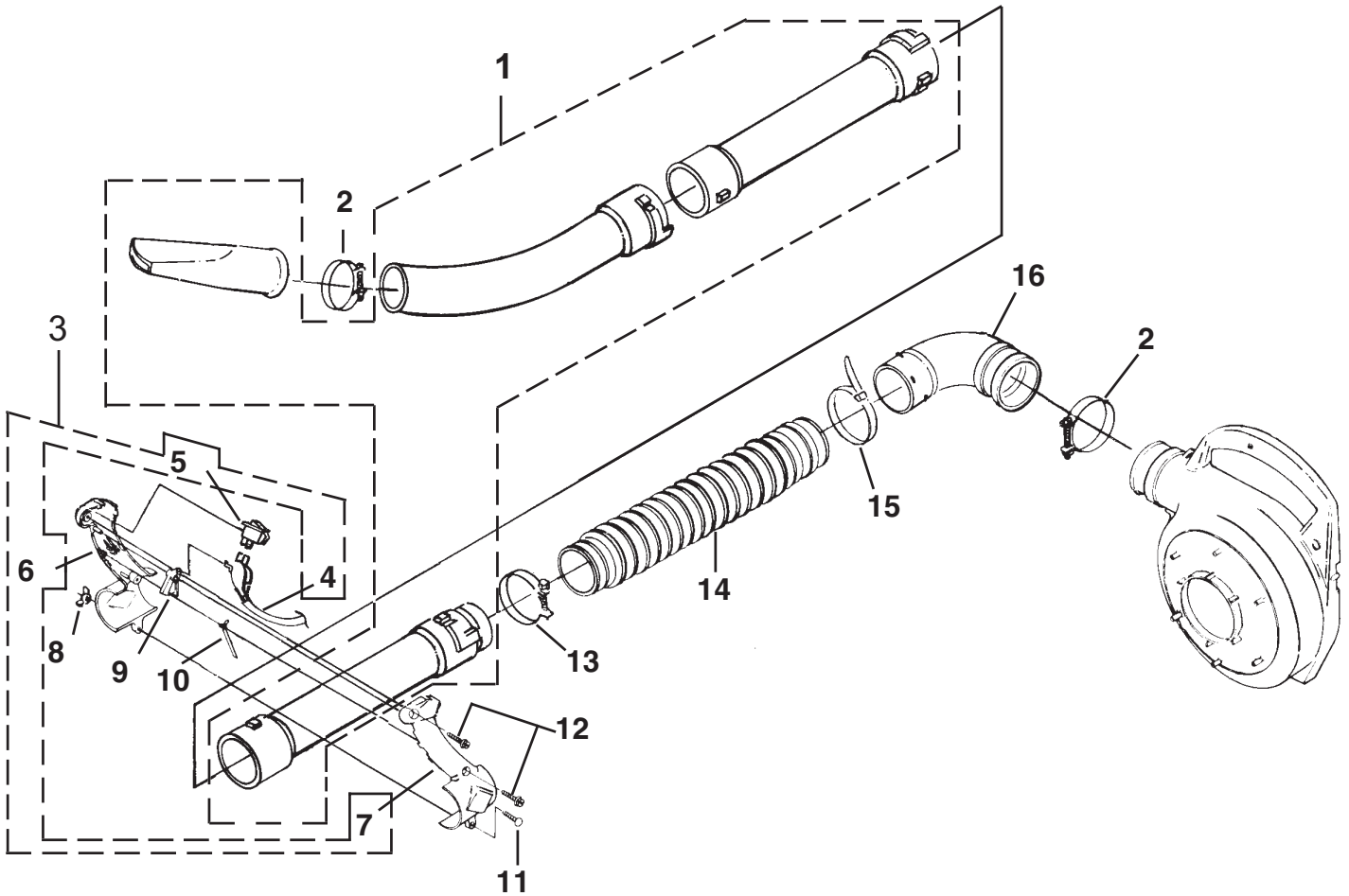
| TORQUE SPECIFICATIONS | | | |
|-----------------------|---------|-----------|------------------|
| Item No. | In/Lbs | Nm | Required Loctite |
| 9 | 8-12 | .9-1.4 | |
| 11 | 10-20 | 1.1-2.3 | |
| 12 | 8-12 | .9-1.4 | |
| 13 | 130-150 | 14.7-17.0 | |

** Not used on UT08111 and UT08111A

1/30/2004

TUBES

BackPacker™ .. (UT08017L & UT08083)
 BackPacker™ .. (UT08111 before S/N MB0980001)
 BP250 (I)..... (UT08097 before S/N MB0980001)
 BP25175 (UT08101, UT08122)



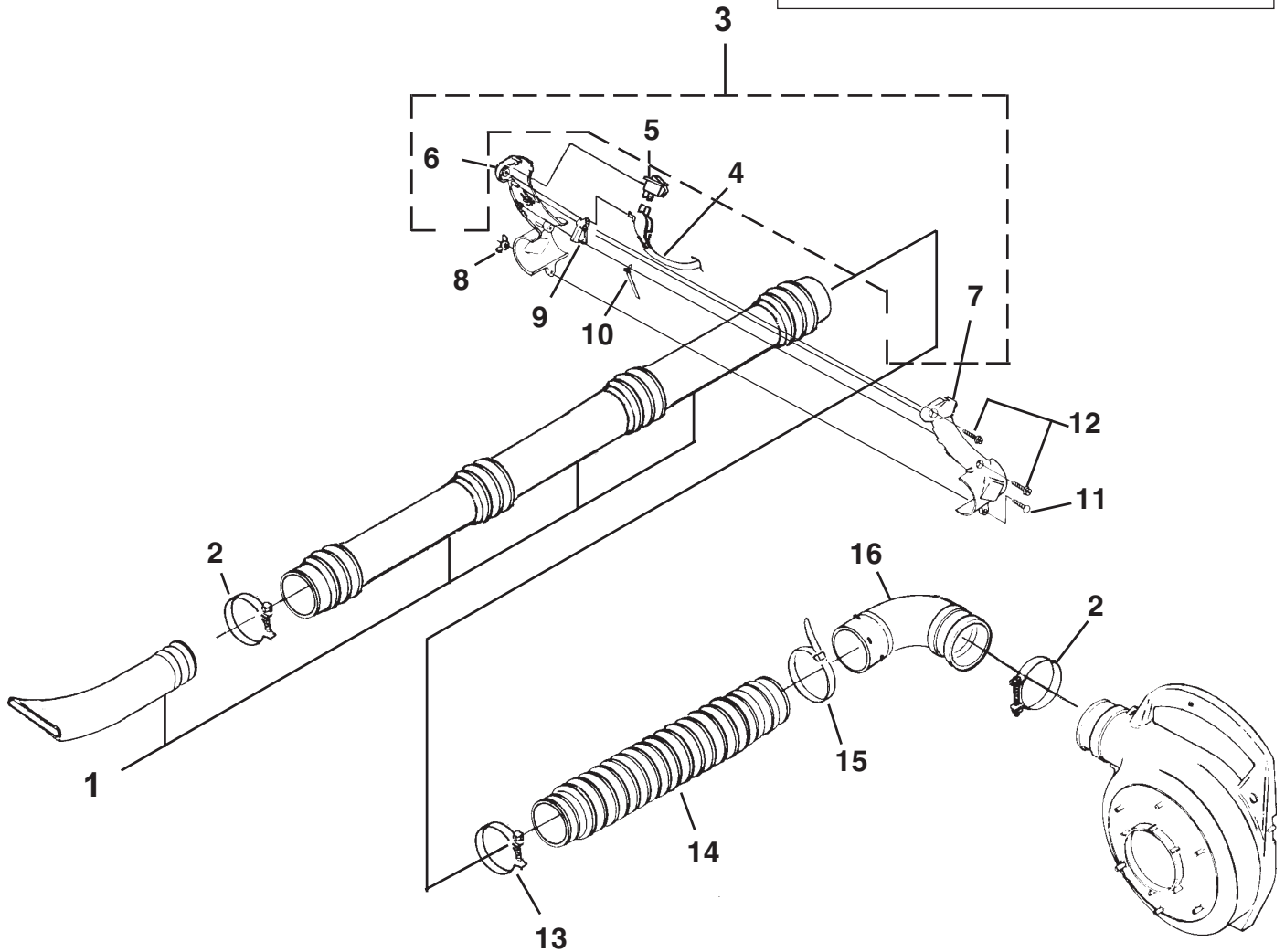
| NO. | PART NO. | DESCRIPTION | QTY. |
|-----|-------------|--|------|
| 1 | UP 05582A | BLOWER TUBE KIT | 1 |
| 2 | 00433B | CLAMP | 2 |
| 3 | • UP 03794A | HANDLE & SWITCH KIT | 1 |
| 4 | PA00666 | CABLE-Throttle w/ Ignition Leads | 1 |
| 5 | 985703001 | SWITCH | 1 |
| 6 | 03922 | HANDLE-Control (Right) | 1 |
| 7 | 03923 | HANDLE-Control (Left) | 1 |
| 8 | 81281 | NUT - Wing (10-24) | 1 |
| 9 | 94452B | TRIGGER | 1 |
| 10 | 95906A | LATCH-Trigger | 1 |
| 11 | 82375 | BOLT-Rib Neck, Rnd. Hd. (10-24 X 7/8") | 1 |
| 12 | 82563 | SCREW-Thread Form. (10-14 X 3/4") | 2 |
| 13 | 004331 | CLAMP (#87) | 1 |
| 14 | 01772 | BELLOWS-Plastic | 1 |
| 15 | JA375487 | CABLE-Tie | 1 |
| 16 | 01771A | ELBOW-Curved | 1 |

| TORQUE SPECIFICATIONS | | | |
|-----------------------|-------------|---------|------------------|
| Item No. | In/Lbs | Nm | Required Loctite |
| 12 | 20-30 | 2.3-3.4 | |

NOTE: See Page 9 for part numbers for Volute Housing & Grille Kits.

TUBES

BackPacker™ .. (UT08111 after S/N MB0979999)
BP250 (I)..... (UT08097 after S/N MB0979999)



| NO. | PART NO. | DESCRIPTION | QTY. |
|-----|-----------|--|------|
| 1 | UP 05582A | BLOWER TUBE KIT | 1 |
| 2 | 00433B | CLAMP | 2 |
| 3 | UP 03794A | HANDLE & SWITCH KIT | 1 |
| 4 | PA00666 | CABLE-Throttle w/ Ignition Leads | 1 |
| 5 | 985703001 | SWITCH | 1 |
| 6 | 03922 | HANDLE-Control (Right) | 1 |
| 7 | 03923 | HANDLE-Control (Left) | 1 |
| 8 | 81281 | NUT - Wing (10-24) | 1 |
| 9 | 94452B | TRIGGER | 1 |
| 10 | 95906A | LATCH-Trigger | 1 |
| 11 | 82375 | BOLT-Rib Neck, Rnd. Hd. (10-24 X 7/8") | 1 |
| 12 | 82563 | SCREW-Thread Form. (10-14 X 3/4") | 2 |
| 13 | 004331 | CLAMP (#87) | 1 |
| 14 | 01772 | BELLOWS-Plastic | 1 |
| 15 | JA375487 | CABLE-Tie | 1 |
| 16 | 01771A | ELBOW-Curved | 1 |

| TORQUE SPECIFICATIONS | | | |
|-----------------------|-------------|---------|------------------|
| Item No. | In/Lbs | Nm | Required Loctite |
| 12 | 20-30 | 2.3-3.4 | |

For UT08111 and UT08111A

| | | | |
|---|------------|-----------------|---|
| 1 | 985114-001 | BLOWER TUBE KIT | 1 |
| 2 | 004335 | CLAMP | 1 |

1/30/2004

NOTE: See Page 9 for part numbers for Volute Housing & Grille Kits.

For Parts Call 606-678-9623 or 606-561-4983

For product information, technical help, dealer locations or parts ordering information visit our website at:
www.homelite.com.

HOMELITE CONSUMER PRODUCTS, INC.

1428 Pearman Dairy Road Anderson, SC 29625

Post Office Box 1207, Anderson, SC 29622

Phone 1-800-chainsaw (1-800-242-4672)

www.homelite.com

983000-377R
1-30-04

1/30/2004

www.mymowerparts.com