

# Homelite®

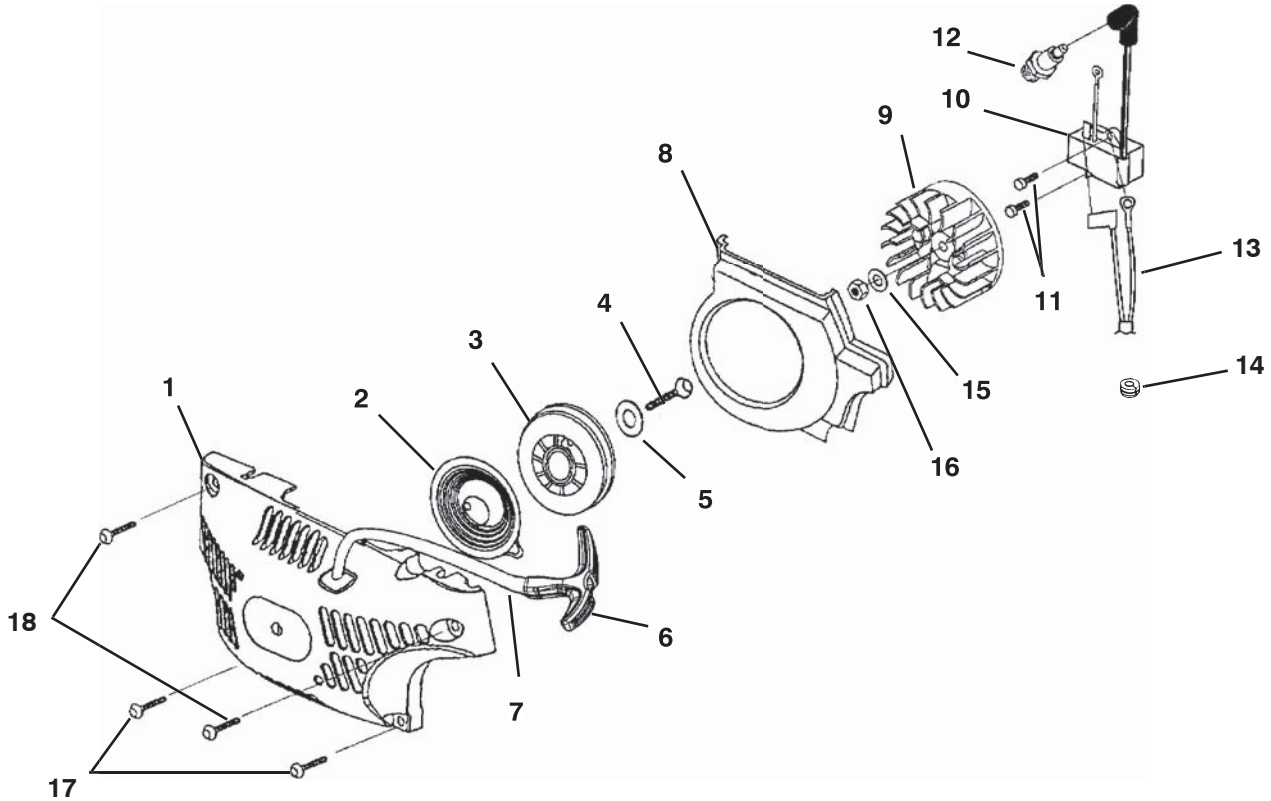
## PARTS LIST



Model	
i4550b	UT10862

**STARTER - IGNITION**

i4550b..... (45cc)

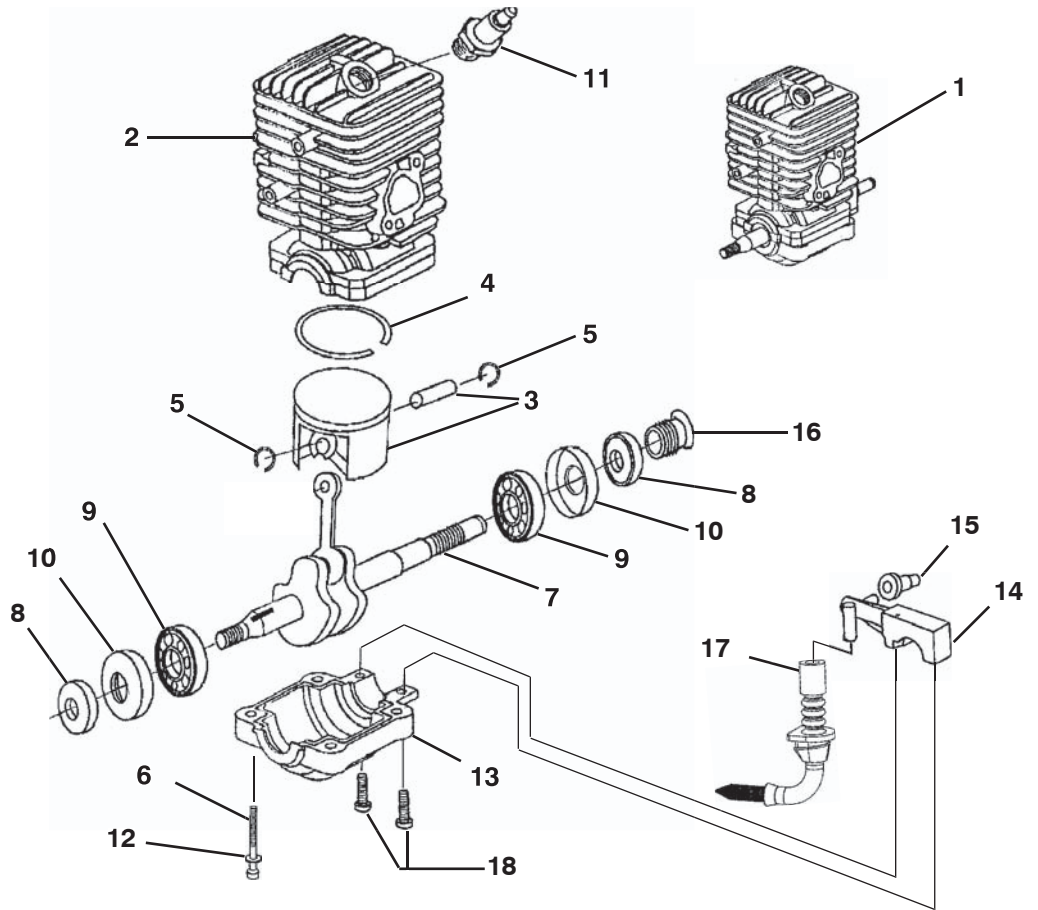


NO.	PART NO.	DESCRIPTION	QTY.
1	UP06749A	Starter Kit	1
2	A97908	Spring & Container	1
3	PS03117	Pulley, Starter	1
4	82621	Screw, Thread Form (10-14 x 5/8")	1
5	94062	Washer, Retaining	1
6	PS03480	Grip, Starter	1
7	9789901	Rope, Starter 46"	1
8	06876	Baffle, Fan Housing	1
9	UP05850A	Rotor & Starter Pawl	1
10	UP05851A	Ignition Kit	1
11	82575	Screw, Thread Form (8-32 x 5/8")	2
12	PS02227	Spark Plug	1
13	A07602A	Ignition Switch Harness	1
14	07587	Grommet, Wire Harness (Split)	1
15	PS84065	Washer, Flat	1
16	81229A	Nut, Jam	1
17	82620	Screw, Truss Hd. (10-14 x 7/8")	2
18	82621	Screw, Truss Hd. (10-14 x 5/8")	2

Item No.	Torque Specs		Required Loctite
	In/Lbs	Nm	
4	30-40	3.4-4.5	
11	30-40	3.4-4.5	
12	120-180	13.6-20.3	
16	100-150	11.3-16.9	
17	30-40	3.4-4.5	
18	30-40	3.4-4.5	

**ENGINE INTERNAL - OIL PUMP**

i4550b..... (45cc)

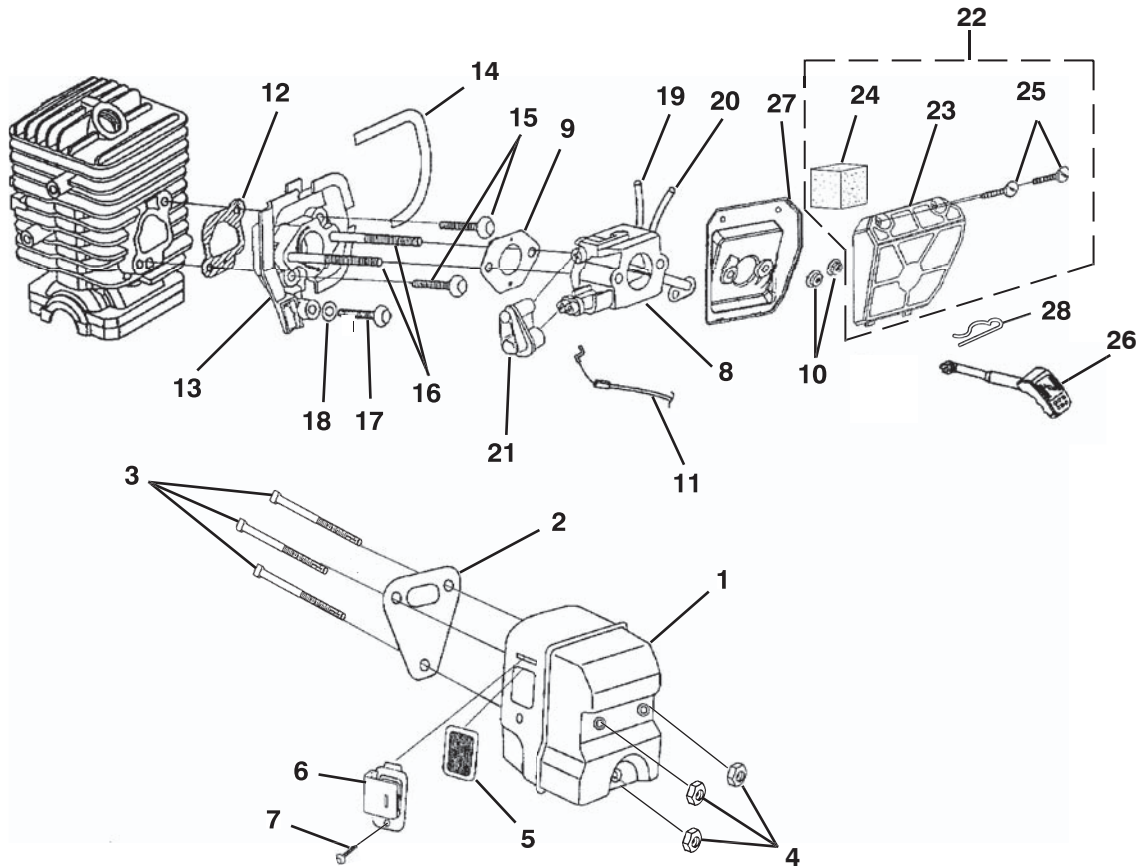


NO.	PART NO.	DESCRIPTION	QTY.
1	•UP04166A	Short Block, Complete (45cc)	1
2	•UP00129A	Cylinder Kit (45cc)	1
	06839	Gasket, Muffler (Not Shown)	1
	06840A	Gasket, Heat Dam (Not Shown)	1
	98339	Gasket, Carburetor (Not Shown)	1
3	•UP00130A	Piston & Pin (45cc)	1
4	09082	Piston Ring (45cc)	1
5	64813	Ring, Retaining	2
6	82527	Screw, Cap-Socket Hd. (10-24 x 2")	4
7	•UP04165A	Crankshaft & Rod Assy (45cc)	1
8	04920	Shaft Seal	2
9	08838	Ball Bearing	2
10	04919	Rubber Case	2
11	PS02227	Spark Plug	1
12	84008	Washer	4
13	09097	Lower Crankcase (45cc)	1
14	•UP06602	Oil Pump Kit	1
15	06841	Grommet, Oil Outlet	1
16	06847	Left Hand Worm	1
17	PA01037	Oil Intake Tube w/Filter	1
18	82546	Screw, T.F. (8-16 x 5/8")	2

Item No.	Torque Specs		Required Loctite
	In/Lbs	Nm	
6	65-75	7.3-8.5	262 Red
11	120-180	13.6-20.3	
18	15-20	1.7-2.3	

**CARBURETOR - MUFFLER - AIR FILTER**

i4550b..... (45cc)



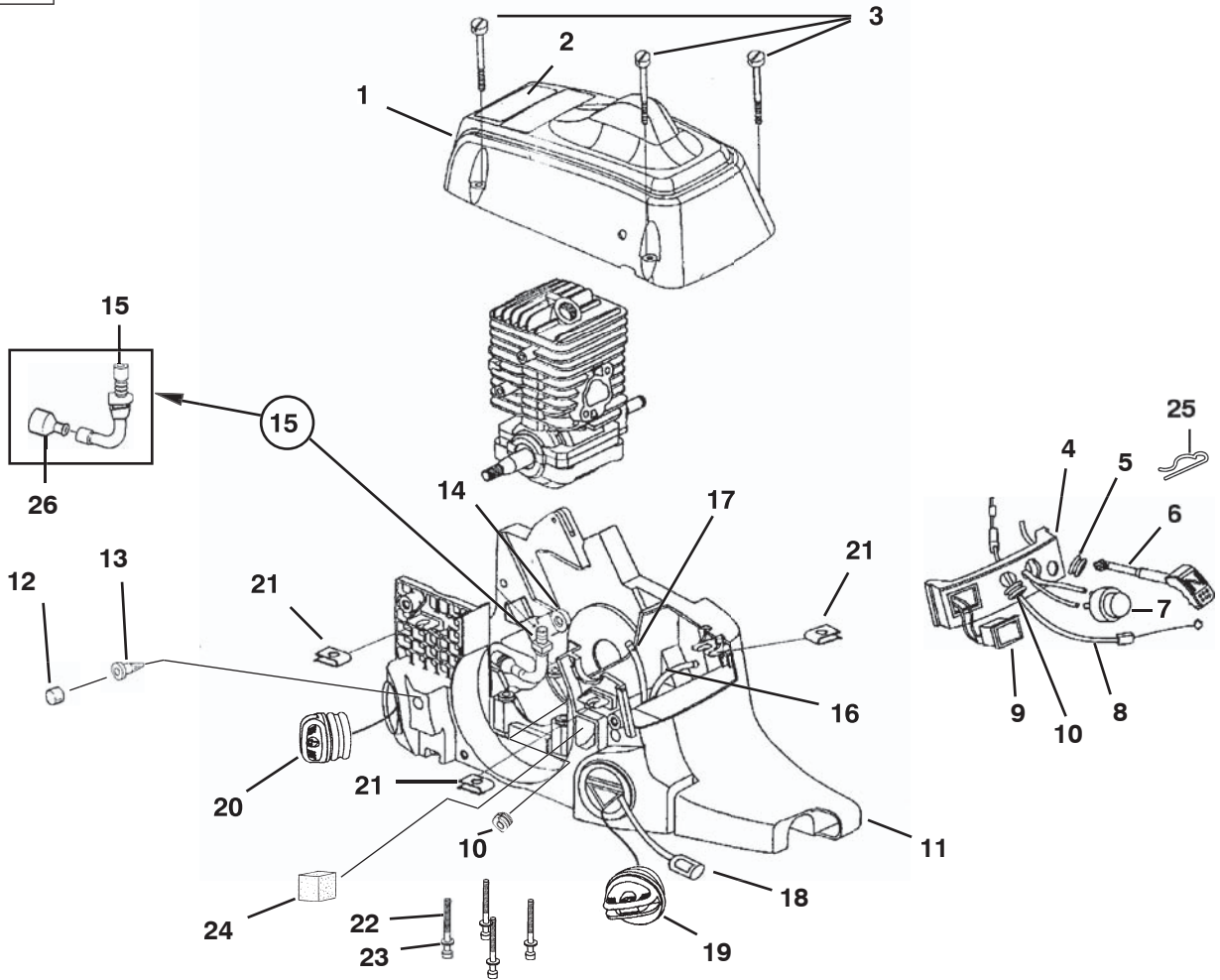
NO.	PART NO.	DESCRIPTION	QTY.
1	•UP00126A	Muffler Kit (45cc)	1
2	06839	Muffler Gasket	1
3	PS04525	Screw-Square Hd.	3
4	81206	Nut-Locking Hex (10-32)	3
5	07394	Screen, Spark	1
6	PS00087	Deflector, Muffler (45cc)	1
7	95922	Screw	1
8	•UP00499	Carburetor Assy (Int'l 45cc)	1
9	98339	Carburetor Gasket	1
10	07589	Flange Nut (10-24)	2
11	A07596B	Throttle Cable	1
12	06840A	Gasket, Heat Dam	1
13	04916	Heat Dam	1
14	06873	Seal, Heat Dam	1
15	82539	Screw, Truss Hd. Taptite (10-24 x 7/8")	2
16	06852	Screw, Carburetor	2
17	82541	Screw, Thread Form (10-14 x 1/2")	1
18	12789	Washer, Retaining	1
19	0745434	Fuel Line (Tank to Carburetor 8 1/2")	1
20	0745416	Fuel Line (Carburetor to Purge Bulb 4")	1
21	04907	Carburetor Grommet	1

NO.	PART NO.	DESCRIPTION	QTY.
22	•UP06753A	Air Filter Kit	1
23	04938	Air Filter Cover	1
24	PS05070	Pre Filter (In engine housing)	1
25	82617	Screw-Slotted Pan Hd. (8-16 x 5/8")	2
26	PS03969	Rod, Choke	1
27	04937	Air Filter Plate	1
28	08939	Spring Clip (Choke Rod)	1

Item No.	Torque Specs		Required Loctite
	In/Lbs	Nm	
4	50-60	5.6-6.7	
10	30-40	3.4-4.5	
15	45-55	5.0-6.2	
17	30-40	3.4-4.5	
25	15-20	1.7-2.3	

**ENGINE HOUSING - FUEL TANK - OIL TANK**

i4550b..... (45cc)



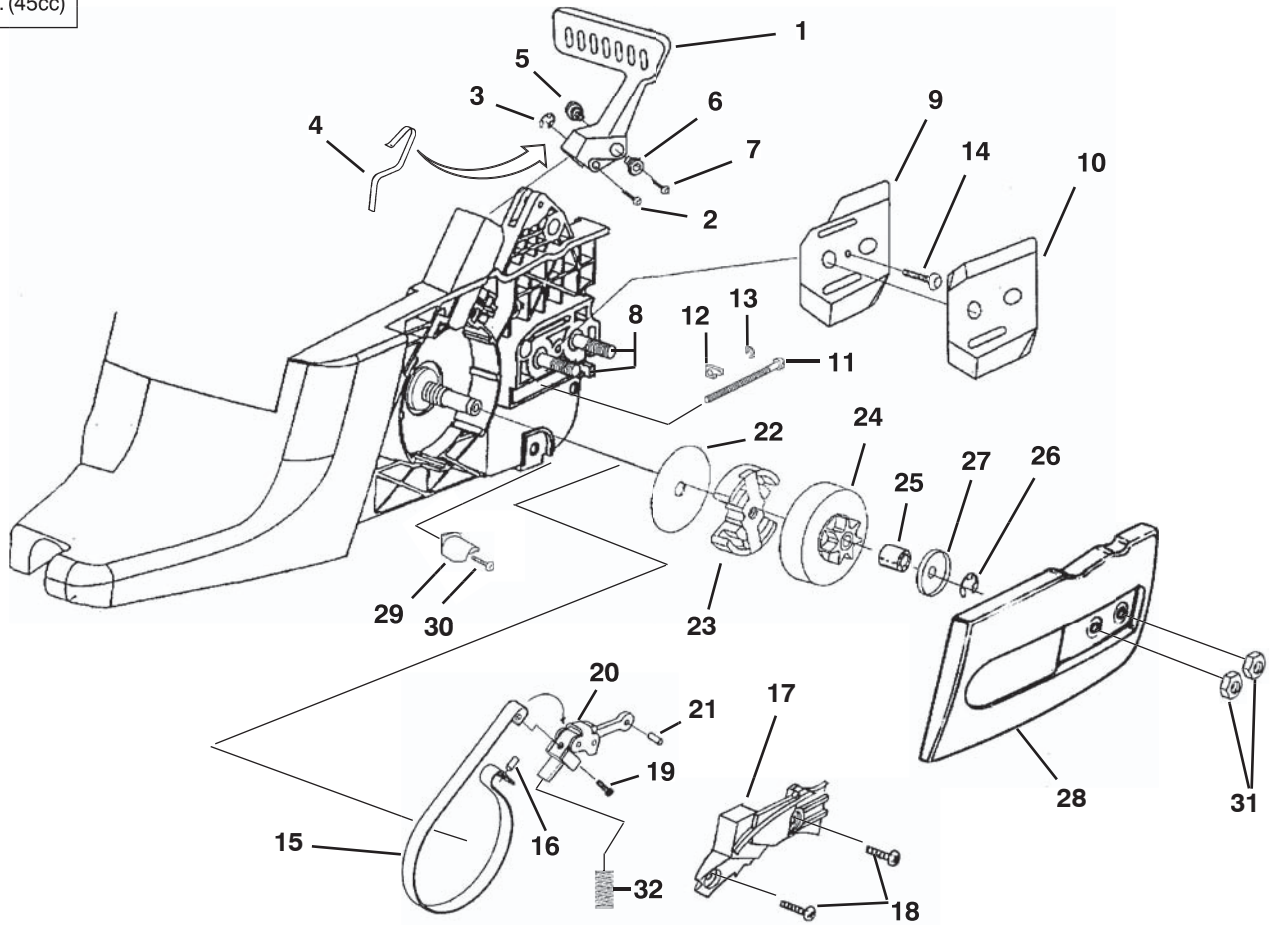
NO.	PART NO.	DESCRIPTION	QTY.
1	•A08692A	Cylinder Cover Kit	1
2	PS06324	Safety Decal	1
3	07597	Screw-Slotted Pan Hd.	3
4	PS03503	Control Panel	1
5	64862	Grommet	1
6	PS03969	Rod, Choke	1
7	01183	Bulb, Air Purge	1
8	A07596B	Throttle Cable	1
9	PS02369	Switch, Rocker	1
10	07587	Grommet - Split	2
11	•UP06754A	Engine Housing	1
12	07403	Element, Filter (Bronze)	2
13	03134	Duck Bill Valve	2
14	06841	Oil Outlet Grommet	1
15	PA01037	Oil Intake Tube	1
16	0745422	Rubber Tubing (5 1/2")	1
17	0745434	Rubber Tubing (8 1/2")	1
18	PS03380	Fuel Filter	1
19	DA07590	Fuel Cap w/ Retainer	1
20	DA07591	Oil Cap w/ Retainer	1
	A68593	Oil Filter (Not Shown)	1
	PS04881	Guide Bar Bolt (Not Shown)	2

NO.	PART NO.	DESCRIPTION	QTY.
21	07598	Speed Nut ("U-Type")	3
22	82527	Screw, Cap-Socket Hd. (10-24 x 2")	4
23	84008	Washer	4
24	PS05070	Pre Filter	1
25	08939	Spring Clip (Choke Rod)	1
26	A68593	Oil Filter	1

Torque Specs			
Item No.	In/Lbs	Nm	Required Loctite
3	15-25	1.7-2.8	
22	65-76	7.3-8.5	

**CLUTCH - CHAIN BRAKE - DRIVE CASE COVER**

i4550b..... (45cc)



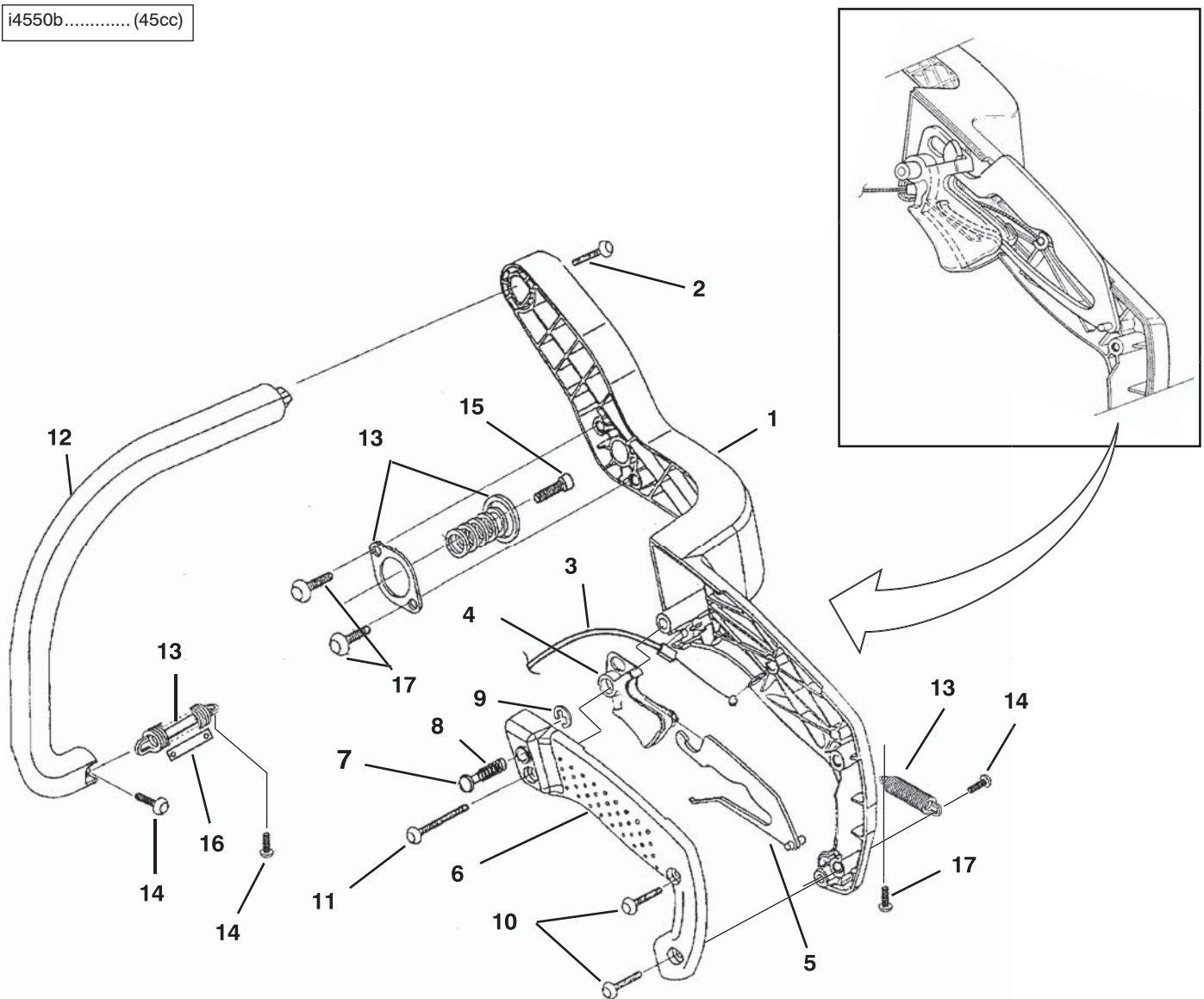
NO.	PART NO.	DESCRIPTION	QTY.
1	•UP06568A	Hand Guard Kit	1
2	07580	Hand Guard Actuating Pin	1
3	69599	Retaining Ring	1
4	07613	Spring, Handguard	1
5	07393	Pivot, L.H.	1
6	07392	Pivot, R.H.	1
7	82624	Screw, Hex Socket Hd. (8-32 x 5/8")	1
8	PS04881	Guide Bar Bolt	2
	•UP06966A	Guide Bar Adjusting Kit	1
9	07404A	Plate, Guide Bar	1
10	07405A	Plate, Guide Bar	1
11	06844	Screw, Guide Bar Adjusting	1
12	06842	Pin, Guide Bar Adjusting	1
13	69599	Ring, Retaining	1
14	82513	Screw, Thread Form (6-19 x 1/2")	1
15	•UP06373A	Chain Brake Kit	1
16	06672	Pin, Roll	1
17	06843A	Cover, Chain Brake	1
18	82513	Screw, Pan Hd. (6-19 x 1/2")	2
19	82623	Screw, Pan Hd. (8-16 x .320)	1
20	984897001	Chain Brake Link	1
21	95395A	Pin, Roll	1
22	04940	Thrust Washer	1
23	UP06727A	Clutch & Hardware	1

NO.	PART NO.	DESCRIPTION	QTY.
24	•A06867	Sprocket, Drum (.325 Pitch)	1
25	PS04669	Bearing, Needle	1
26	08981	Ring, Retaining	1
27	04939A	Washer, Cupped	1
28	•UP06975A	Drive Case Cover	1
29	UP05634A	Stop, Chain	1
30	82541	Screw, Thread Form (10-14 x 1/2")	1
31	81196	Nut, Hex	2
32	984679001	Spring, Compression	1

Torque Specs			
Item No.	In/Lbs	Nm	Required Loctite
7	25-35	2.8-3.9	
14	8-18	.9-2.0	
18	10-20	1.1-2.3	
19	20-30	2.3-3.4	
23	130-180	14.7-20.3	
30	30-50	3.4-5.6	
31	Hand Tight		

### HANDLES

i4550b..... (45cc)



NO.	PART NO.	DESCRIPTION	QTY.
1	•UP06977A	Rear Handle Kit	1
2	82615	Screw-Pan Hd. (12-14 x 1 1/2")	1
3	A07596B	Throttle Cable	1
4	984354001	Trigger, Throttle	1
5	PS03966	Throttle Lock Out	1
6	•A08683A	Handle Cover Kit	1
7	PS03971	Throttle Lock Pin	1
8	08898	Spring, Compression	1
9	58409	Ring, Retainer	1
10	82563	Screw, Thread Form (10-14 x 3/4")	2
11	82622	Screw, Thread Form (10-14 x 1 3/8")	1
12	•UP06973A	Front Handle Kit	1
	82615	Screw-Pan Hd. (12-14 x 1 1/2") (See No. 2 above)	1
13	•UP08007A	Isolator Kit	1
14	82621	Screw, Truss Hd. (10-14 x 5/8")	3
15	82597	Screw, Truss Hd. (10-24 x 5/8")	1
16	01812A	Limitter, Isolator	1
17	82541	Screw, Thread Form (10-14 x 1/2")	3

Item No.	Torque Specs		Required Loctite
	In/Lbs	Nm	
2	40-50	4.5-5.6	
10	30-40	3.4-4.5	
11	30-40	3.4-4.5	
14	30-40	3.4-4.5	
15	40-50	4.5-5.6	
17	30-40	3.4-4.5	

For Parts Call 606-678-9623 or 606-561-4983

**HOMELITE CONSUMER PRODUCTS, INC.**

1428 Pearman Dairy Road, Anderson, SC 29625

Post Office Box 1207, Anderson, SC 29622

Phone 1-800-chainsa (1-800-242-4672)

[www.homelite.com](http://www.homelite.com)

983000-384R

11-21-03

[www.mymowerparts.com](http://www.mymowerparts.com)