

Homelite®

PARTS LIST



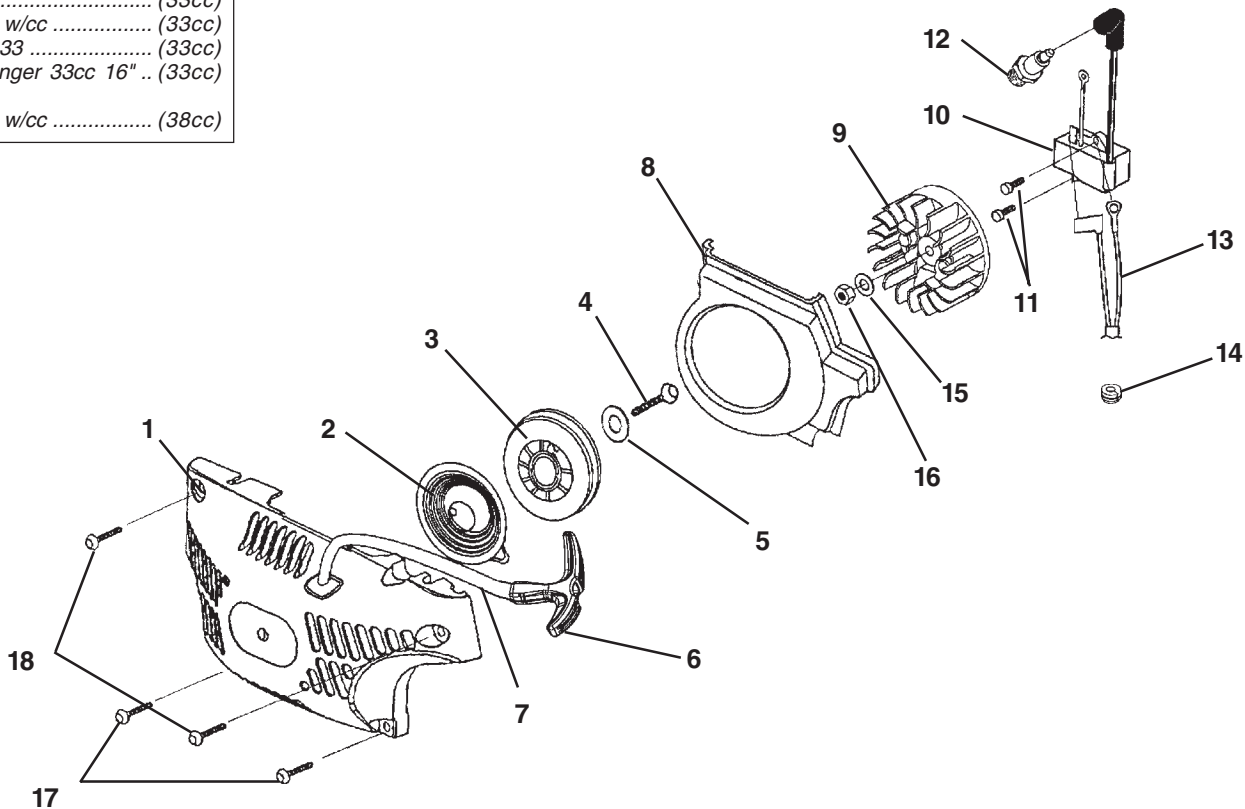
Models

20	UT10847,	UT10881
20 w/cc	UT10853,	UT10883
23 w/cc	UT10870	
33 cc 14"	UT10901	
	UT10901A	
B2216CC	UT10941	
d3300	UT10855,	UT10880
d3300c	UT10857,	UT10882
PS33	UT10854	
Ranger 33cc 16"	UT10926	

P/N PS03837

STARTER - IGNITION

B2216CC	(33cc)
d 3300	(33cc)
d 3300c	(33cc)
20	(33cc)
20 w/cc	(33cc)
PS33	(33cc)
Ranger 33cc 16" ..	(33cc)
23 w/cc	(38cc)

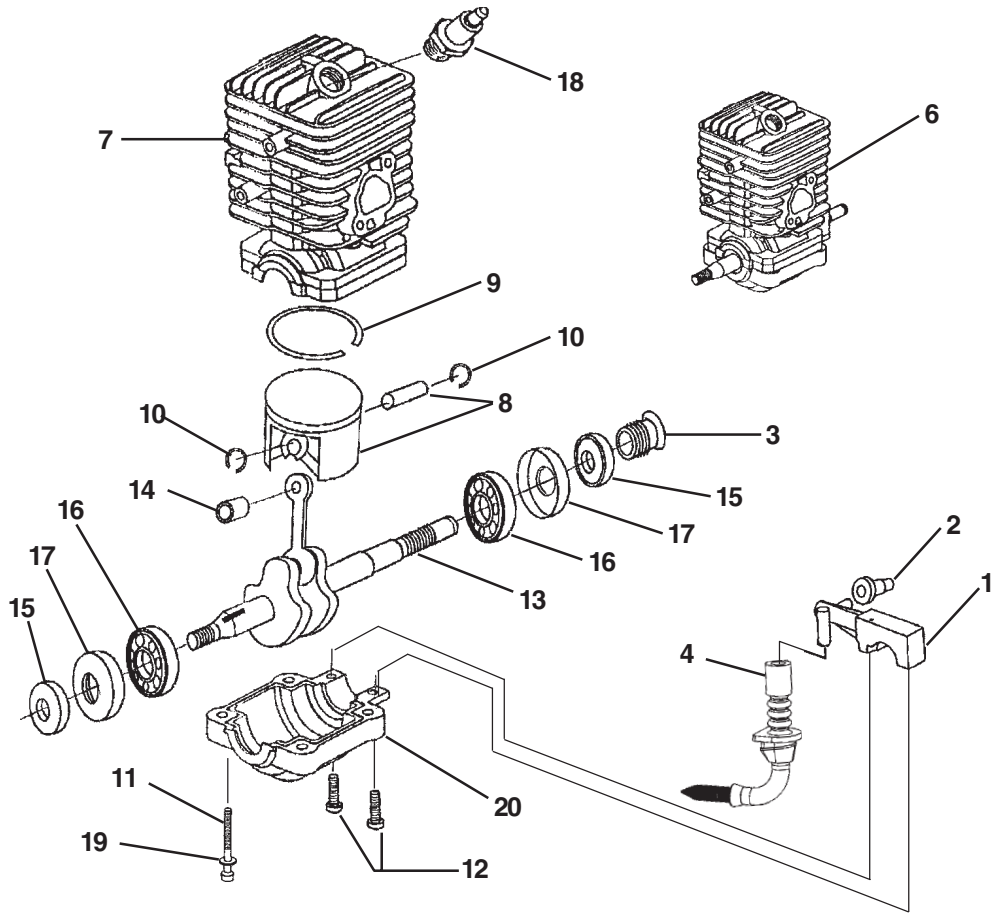


NO.	PART NO.	DESCRIPTION	QTY.
1	•UP 06749 A	Starter Kit	1
2	A 97908	Spring & Container	1
3	PS 03117	Pulley, Starter	1
4	82621	Screw, Thread Form, Plastite (10-14 x 5/8")	1
5	94062	Washer, Retaining	1
6	PS 06114	Grip, Starter	1
7	9789901	Rope, Starter 46"	1
8	06876	Baffle, Fan Housing	1
9	UP 05850 A	Rotor & Starter Pawl	1
10	•UP 07865 A	Ignition Kit (33cc models) PHELON	1
	•UP 05851 A	Ignition Kit (38cc models) WALBRO	1
		Both kits include:	
11	82575	Screw, Thread Form (8-32 x 5/8")	2
12	PS 02227	Spark Plug	1
13	A 07602 A	Ignition Switch Harness	1
14	07587	Grommet, Wire Harness (Split)	1
15	PS 84065	Washer, Flat	1
16	985730001	Nut, Jam	1
17	82620	Screw, Truss Hd., Plastite (10-14 x 7/8")	2
18	82621	Screw, Truss Hd., Plastite (10-14 x 5/8")	2

Item No.	Torque Specs		Required Loctite
	In/Lbs	Nm	
4	30-40	3.4-4.5	
11	30-40	3.4-4.5	242 Blue
12	120-180	13.6-20.3	
16	100-150	11.3-16.9	
17	30-40	3.4-4.5	
18	30-40	3.4-4.5	

ENGINE INTERNAL - OIL PUMP

B2216CC	(33cc)
d3300	(33cc)
d3300c	(33cc)
20	(33cc)
20 w/cc	(33cc)
PS33	(33cc)
Ranger 33cc 16" ..	(33cc)
23 w/cc	(38cc)



NO.	PART NO.	DESCRIPTION	QTY.
1	•UP 06602	Oil Pump Kit	1
2	06841	Grommet, Oil Outlet	1
3	06847	Left Hand Worm	1
4	PA 01037	Oil Intake Tube w/Filter	1
6	•UP 03119 A	Short Block, Complete (33cc)	1
	UP 04161	Short Block, Complete (38cc)	1
7	• A 08666 A	Cylinder Kit (33cc)	1
	A 08667	Cylinder Kit (38cc)	1
	900848001	Gasket, Muffler (Not Shown)	1
	06840 A	Gasket, Heat Dam (Not Shown)	1
	98339	Gasket, Carburetor (Not Shown)	1
8	•UP 06971 A	Piston & Pin (33cc)	1
9	04933	Piston Ring	1
10	64813	Ring, Retaining	2
8	•UP 06972 A	Piston & Pin (38cc)	1
9	06857	Piston Ring	1
10	64813	Ring, Retaining	2
11	82527	Screw, Cap-Socket Hd. (10-24 x 2")	4
12	PS 04989	Screw, Pan Hd., (8-32 x 5/8")	2
13	PA 00979	Crankshaft & Rod Assembly	1
14	PS 04921	Bearing, Needle	1
15	04920	Shaft Seal	2
16	A 04931A	Bearing & Rubber Case	2
17	04919	Rubber Case	1

NO.	PART NO.	DESCRIPTION	QTY.
18	PS 02227	Spark Plug	1
19	84008	Washer	4
20	04909	Lower Crankcase	1

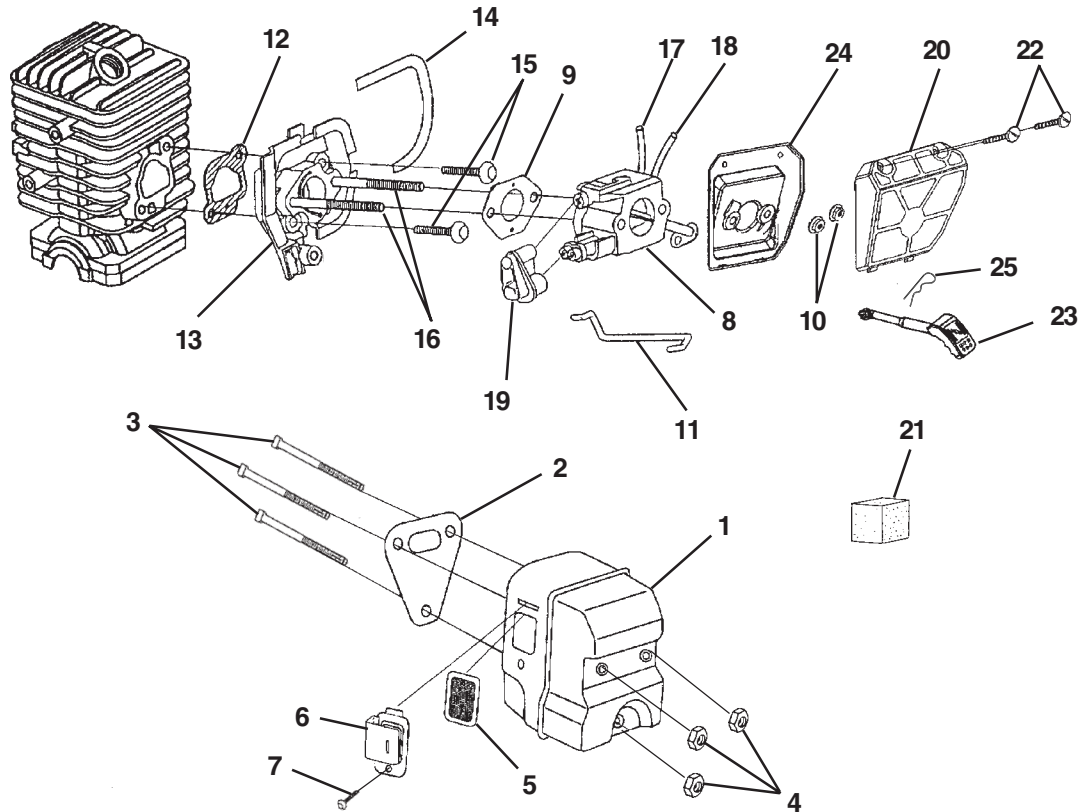
Torque Specs			
Item No.	In/Lbs	Nm	Required Loctite
11	65-75	7.3-8.5	262 Red
12	15-20	1.7-2.3	
18	120-180	13.6-20.3	

12/14/2004
(REV:00)

CARBURETOR - MUFFLER - AIR FILTER

- B2216CC (33cc)
- d3300 (33cc)
- d3300c (33cc)
- 20 (33cc)
- 20 w/cc (33cc)
- PS33 (33cc)
- Ranger 33cc 16" .. (33cc)

- 23 w/cc (38cc)

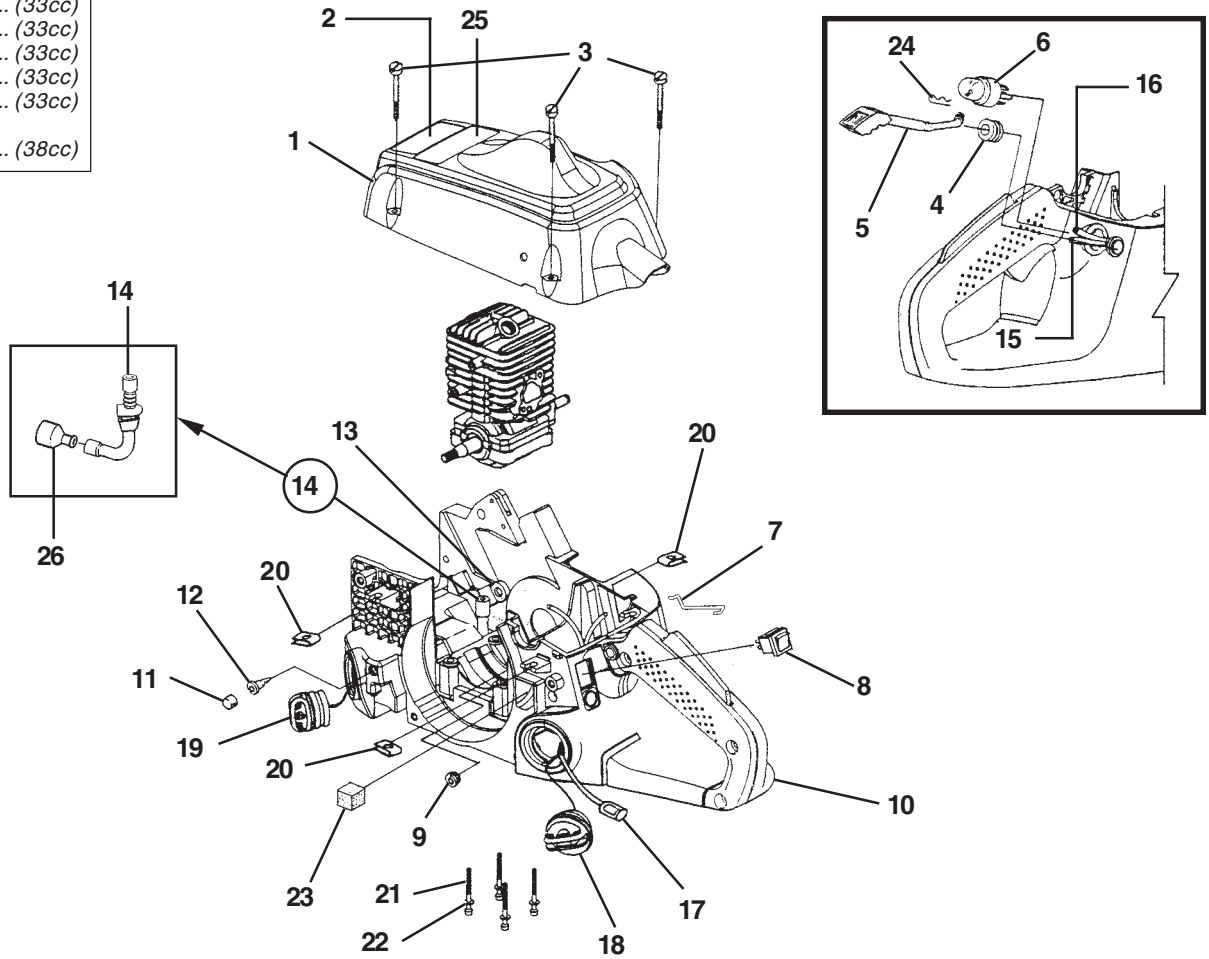


NO.	PART NO.	DESCRIPTION	QTY.
1	984890-001	Muffler Kit	1
2	900848001	Muffler Gasket	1
3	PS 04525	Screw-Square Hd.	3
4	81206	Nut-Locking Hex (10-32)	3
5	07394	Screen, Spark	1
6	07396 A	Deflector, Muffler	1
7	95922	Screw (8-32 x .312)	1
8	• A 09159 A	Carburetor Assembly	1
9	98339	Carburetor Gasket	1
10	07589	Flange Nut (10-24)	2
11	PS 01591	Throttle Wire	1
12	06840 A	Gasket, Heat Dam	1
13	04916	Carburetor Spacer	1
14	06873	Seal, Heat Dam	1
15	82539	Screw, Truss Hd. Taptite (10-24 x 7/8")	2
16	06852	Screw, Carburetor	2
17	0745434	Fuel Line (Tank to Carburetor 8 1/2")	1
18	0745416	Fuel Line (Carburetor to Purge Bulb 4")	1
19	04907	Carburetor Grommet	1
	• UP 06753 A	Air Filter Kit	1
20	04938	Air Filter Cover	1
21	PS 05070	Pre Filter (In engine housing)	1
22	82617	Screw-Slotted Pan Hd. (8-16 x 5/8")	2
23	PS 06280	Rod, Choke	1
24	04937	Air Filter Plate	1
25	08939	Spring Clip (Choke Rod)	1

Item No.	Torque Specs		Required Loctite
	In/Lbs	Nm	
4	50-60	5.6-6.7	
10	30-40	3.4-4.5	
15	45-55	5.0-6.2	
22	15-20	1.7-2.3	

ENGINE HOUSING - FUEL TANK - OIL TANK

- B2216CC (33cc)
- d3300 (33cc)
- d3300c (33cc)
- 20 (33cc)
- 20 w/cc (33cc)
- PS33 (33cc)
- Ranger 33cc 16" .. (33cc)
- 23 w/cc (38cc)



NO.	PART NO.	DESCRIPTION	QTY.
1	• A 09162 A	Cylinder Cover Kit	1
2	PS06324	Safety Decal	1
3	07597	Screw-Slotted Pan Hd.	3
4	64862	Grommet	1
5	PS06280	Rod, Choke	1
6	01183	Bulb, Air Purge	1
7	PS01591	Throttle Wire	1
8	PS02369	Switch, Rocker	1
9	07587	Grommet-Split	1
10	• UP 06751 A	Engine Housing	1
11	07403	Element, Filter (Bronze)	2
12	03134	Duck Bill Valve	2
13	06841	Oil Outlet Grommet	1
14	PA 01037	Oil Intake Tube	1
15	0745422	Rubber Tubing (5 1/2")	1
16	0745434	Rubber Tubing (8 1/2")	1
17	PS03380	Fuel Filter	1
18	DA07590	Fuel Cap w/ Retainer	1
19	DA07591	Oil Cap w/ Retainer	1
	A 68593	Oil Filter (See No. 26)	1
	PS04881	Guide Bar Bolt (Not Shown)	2
20	07598	Speed Nut ("U-Type")	3

NO.	PART NO.	DESCRIPTION	QTY.
21	82527	Screw, Cap-Socket Hd. (10-24 x 2")	4
22	84008	Washer	4
23	PS 05070	Pre Filter	1
24	08939	Spring Clip (Choke Rod)	1
25	PS 03893	Kickback-Decal	1
26	A 68593	Oil Filter	1

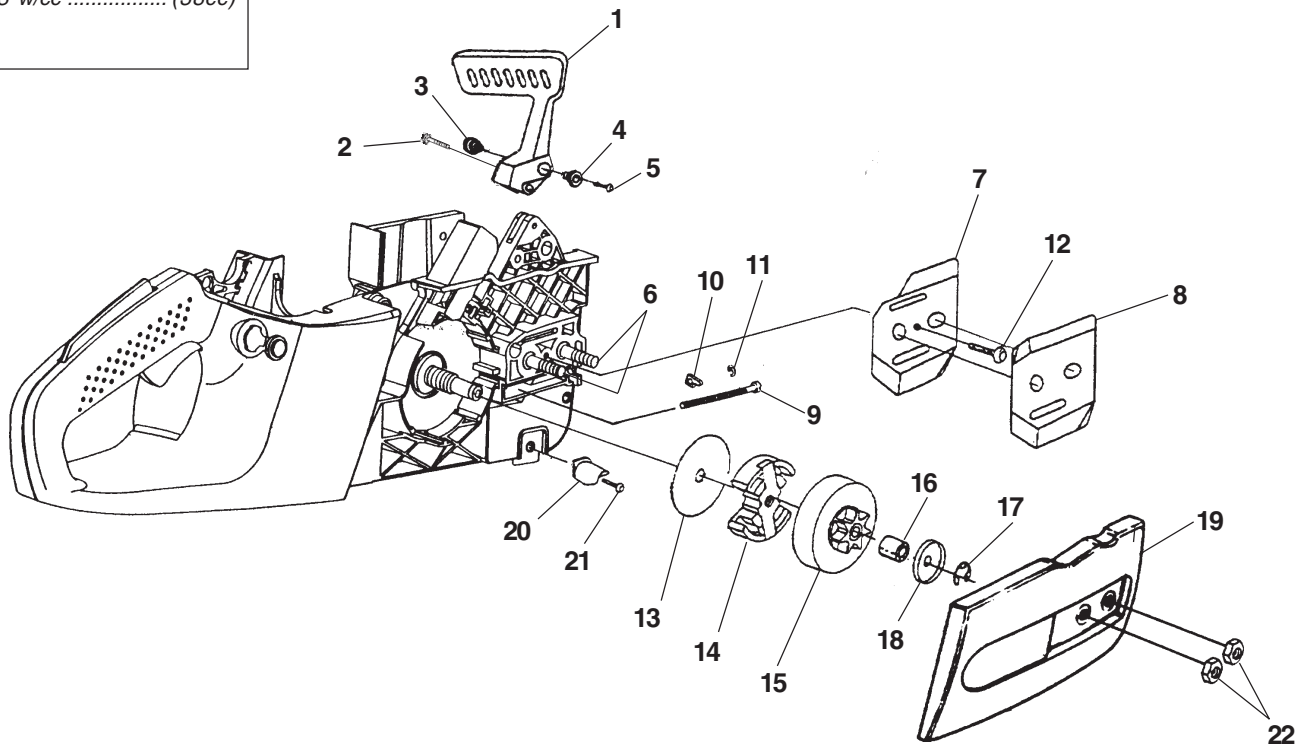
Torque Specs			
Item No.	In/Lbs	Nm	Required Loctite
3	15-25	1.7-2.8	
21	65-75	7.3-8.5	262 Red

12/14/2004
(REV:00)

CLUTCH - HAND GUARD - DRIVE CASE COVER

d3300 (33cc)
 d3300c (33cc)
 20 (33cc)
 20 w/cc (33cc)
 PS33 (33cc)

23 w/cc (38cc)

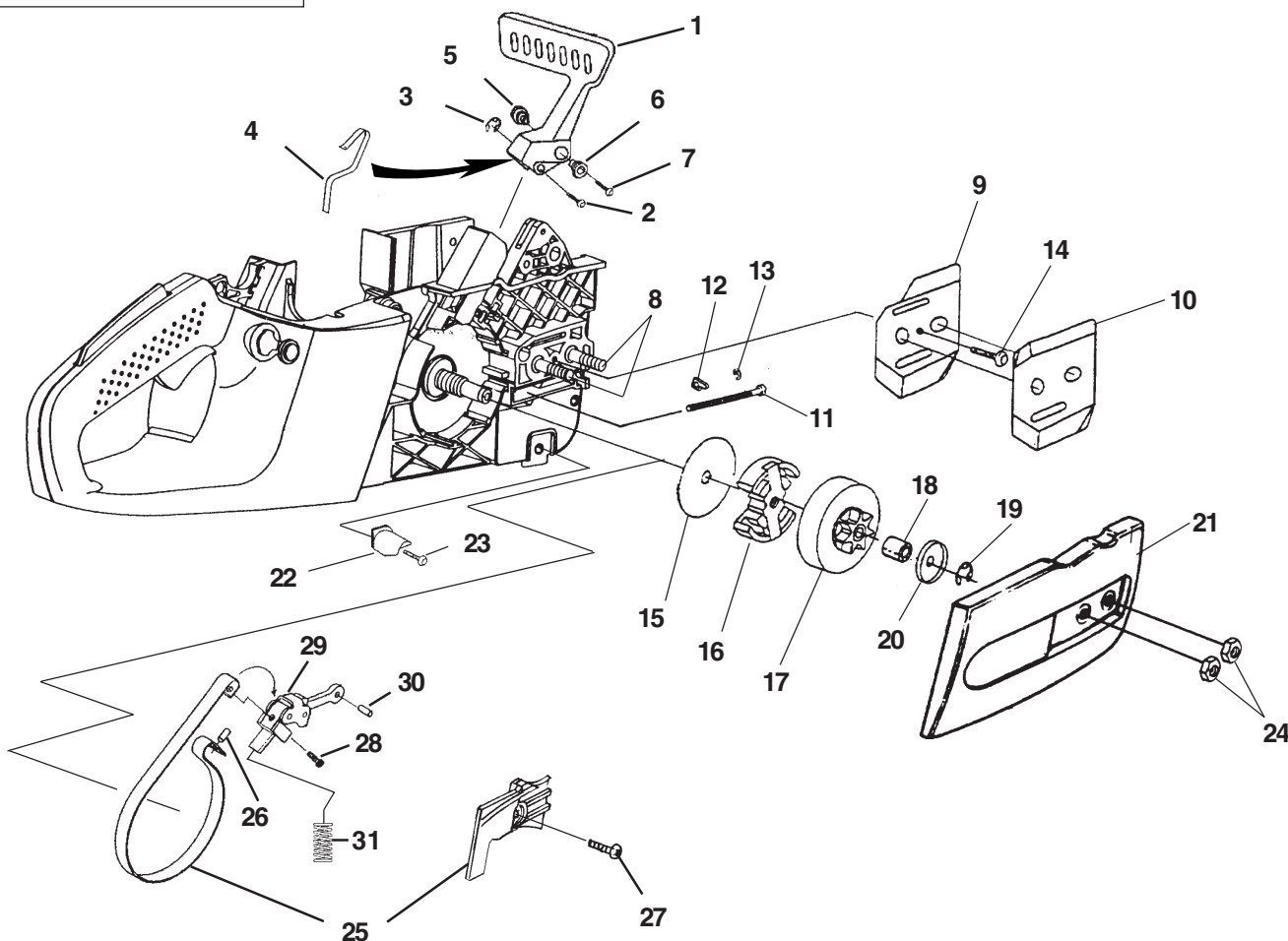


NO.	PART NO.	DESCRIPTION	QTY.
1	• UP 06568 A	Hand Guard Kit	1
2	82546	Screw-Thd. form. (#8-14 x .625)	1
3	07393	Pivot, L.H.	1
4	07392	Pivot, R.H.	1
5	82624	Screw, Hex Socket Hd. (8-32 x 5/8")	1
6	PS 04881	Guide Bar Bolt	2
	• UP 06966 A	Guide Bar Adjusting Kit	1
7	07404 A	Plate, Guide Bar	1
8	07405 A	Plate, Guide Bar	1
9	06844	Screw, Guide Bar Adjusting	1
10	06842	Pin, Guide Bar Adjusting	1
11	69599	Ring, Retaining	1
12	82513	Screw, Thread Form., Plastite (6-19 x 1/2")	1
13	04940	Thrust Washer	1
14	UP 06727 A	Clutch & Hardware	1
15	• UP 06967 A	Sprocket, Drum (3/8 Pitch)	1
16	PS 04669	Bearing, Needle	1
17	08981	Ring, Retaining	1
18	04939 A	Washer, Cupped	1
19	• UP 06975 A	Drive Case Cover	1
20	UP 05634 A	Stop, Chain	1
21	82563	Screw, Thread Form., Plastite (10-14 x 3/4")	1
22	81196	Nut, Hex	2

Item No.	Torque Specs		Required Loctite
	In/Lbs	Nm	
5	25-35	2.8-3.9	242 Blue
12	8-18	0.9-2.0	
14	130-180	14.7-20.3	
21	30-50	3.4-5.6	
22	Hand Tight		

B2216CC (33cc)
 Ranger 33cc 16" (33cc)

CLUTCH - HAND GUARD - DRIVE CASE COVER



NO.	PART NO.	DESCRIPTION	QTY.
1	•UP 06568 A	Hand Guard Kit	1
2	07580	Hand Guard Actuating Pin	1
3	69599	Retaining Ring	1
4	07613	Spring, Handguard	1
5	07393	Pivot, L.H.	1
6	07392	Pivot, R.H.	1
7	82624	Screw, Hex Socket Hd. (8-32 x 5/8")	1
8	PS 04881	Guide Bar Bolt	2
	•UP 06966 A	Guide Bar Adjusting Kit	1
9	07404 A	Plate, Guide Bar	1
10	07405 A	Plate, Guide Bar	1
11	06844	Screw, Guide Bar Adjusting	1
12	06842	Pin, Guide Bar Adjusting	1
13	69599	Ring, Retaining	1
14	82513	Screw, Thread Form., Plastite (6-19 x 1/2")	1
15	04940	Thrust Washer	1
16	UP 06727 A	Clutch & Hardware	1
17	•UP 06967 A	Sprocket, Drum (3/8 Pitch)	1
18	PS 04669	Bearing, Needle	1
19	08981	Ring, Retaining	1
20	04939 A	Washer, Cupped	1
21	•UP 06975 A	Drive Case Cover	1
22	UP 05634 A	Stop, Chain	1
23	82563	Screw, Thread Form., Plastite (10-14 x 3/4")	1

NO.	PART NO.	DESCRIPTION	QTY.
24	81196	Nut, Hex	2
25	•UP 06373 A	Chain Brake Kit	1
26	06672	Pin, Roll	1
27	82513	Screw, Pan Hd. (6-19 x 1/2")	2
28	82623	Screw, Pan Hd. (8-16 x .320)	1
29	984897-001	Chain Brake Link	1
30	95395 A	Pin, Roll	1
31	984679-001	Spring, Compression	1

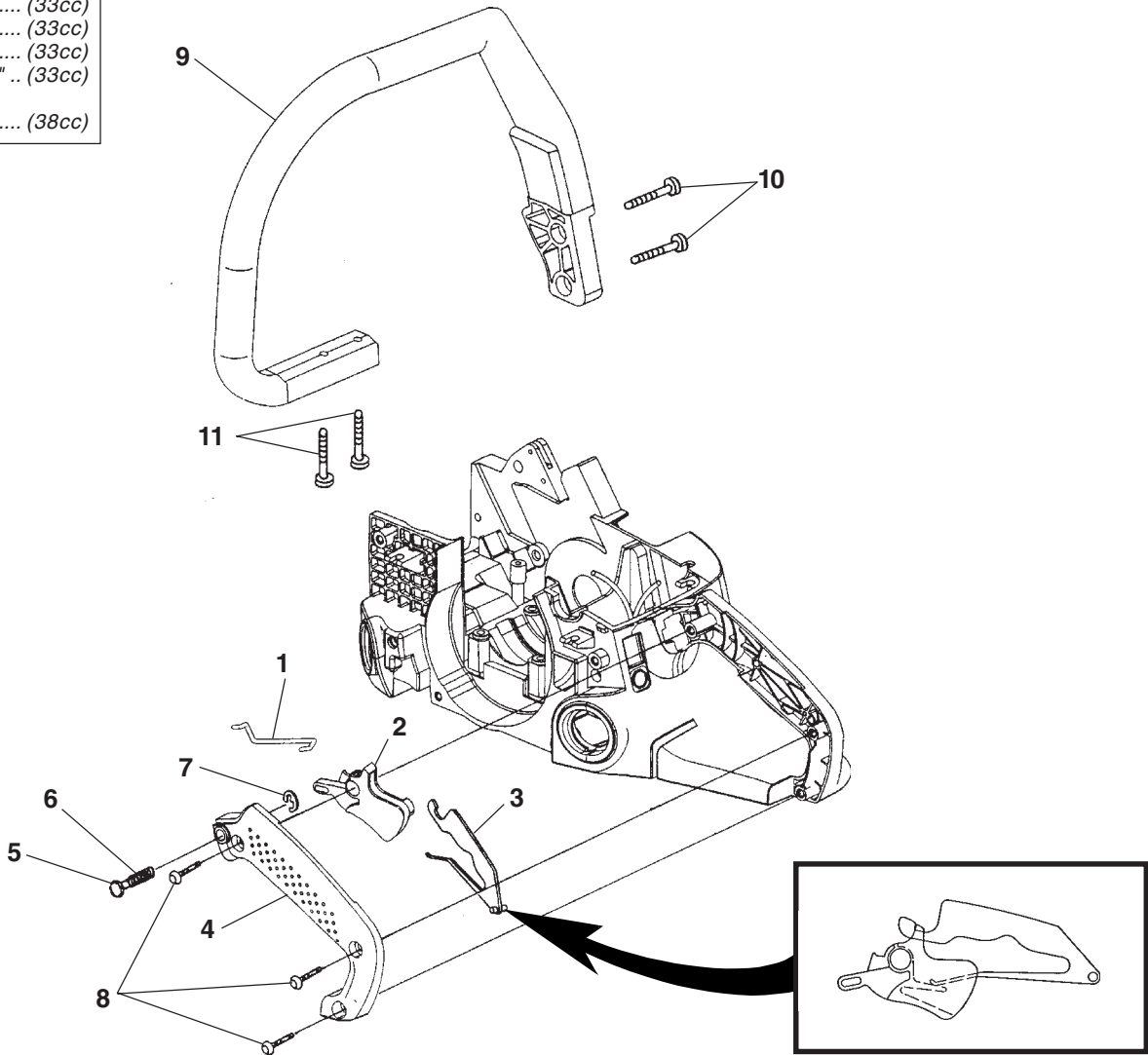
Torque Specs			
Item No.	In/Lbs	Nm	Required Loctite
7	25-35	2.8-3.9	242 Blue
14	8-18	0.9-2.0	
16	130-180	14.7-20.3	
23	30-50	3.4-5.6	
24	Hand Tight		
27	10-20	1.1-2.3	

12/14/2004
 (REV:00)

HANDLES

- B2216CC (33cc)
- d 3300 (33cc)
- d 3300c (33cc)
- 20 (33cc)
- 20 w/cc (33cc)
- PS33 (33cc)
- Ranger 33cc 16" .. (33cc)

- 23 w/cc (38cc)



NO.	PART NO.	DESCRIPTION	QTY.
1	PS 01591	Throttle Wire	1
2	PS 0396801	Trigger, Throttle	1
3	PS 06283	Throttle Lock Out	1
4	•UP 06736 A	Handle Cover Kit	1
5	PS 0396701	Throttle Lock Pin	1
6	08898	Spring, Compression	1
7	58409	Ring, Retainer	1
8	82563	Screw, Thread Form., Plastite (10-14 x 3/4")	3
9	•UP 06974 A	Front Handle Kit	1
10	82537	Screw, Plastite (10-14 x 5/8")	2
11	82589	Screw, Truss Hd.	2

Item No.	Torque Specs		Required Loctite
	In/Lbs	Nm	
8	30-40	3.4-4.5	
10	30-40	3.4-4.5	
11	30-40	3.4-4.5	

For Parts Call 606-678-9623 or 606-561-4983

NOTES

12/14/2004
(REV:00)

ACCESSORIES

Guide Bar (Power Tip)		Chain
12"	PT 12371-MD (3/8")	H1 N7245 AH (3/8")
14"	PT 14371-MD (3/8")	H1 N7252 AH (3/8")
16"	PT 16371-MD (3/8")	H1 N7256 AH (3/8")
18"	PT 18371-MD (3/8")	H1 N7262 AH (3/8")

Sealant SiliconPS 24823
Rubber tubing (10')0745499
Wrench - Combination09207
Digital Tachometer.....18416
Grease, Multi-purpose18453

Compression Tester94194
Bit, Torx T271856601
Carry CaseUP04562A
Bumper Spike KitUP06732A

For product information, technical help, dealer locations or parts ordering information visit our website at: www.homelite.com.

HOMELITE CONSUMER PRODUCTS, INC.

1428 Pearman Dairy Road Anderson, SC 29625
Post Office Box 1207, Anderson, SC 29622
Phone 1-800-chainsa (1-800-242-4672)
www.homelite.com

www.mymowerparts.com