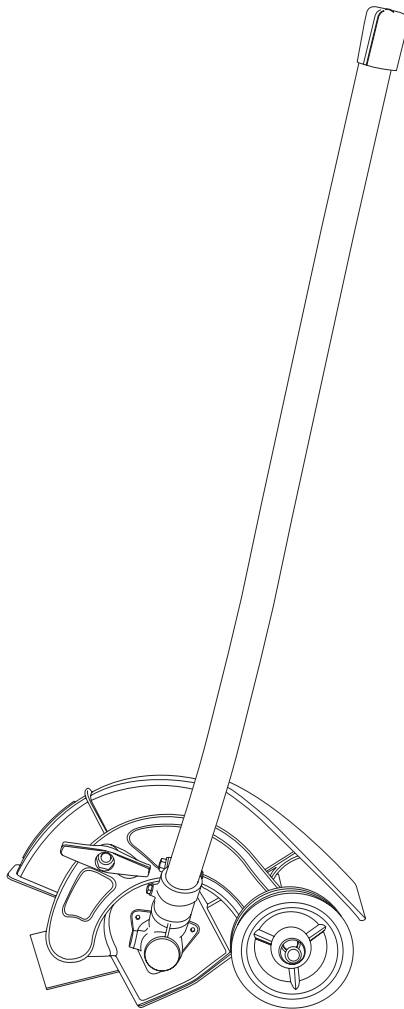


For Parts Call 606-678-9623 or 606-561-4983

Expand~~o~~it™
Attachment System

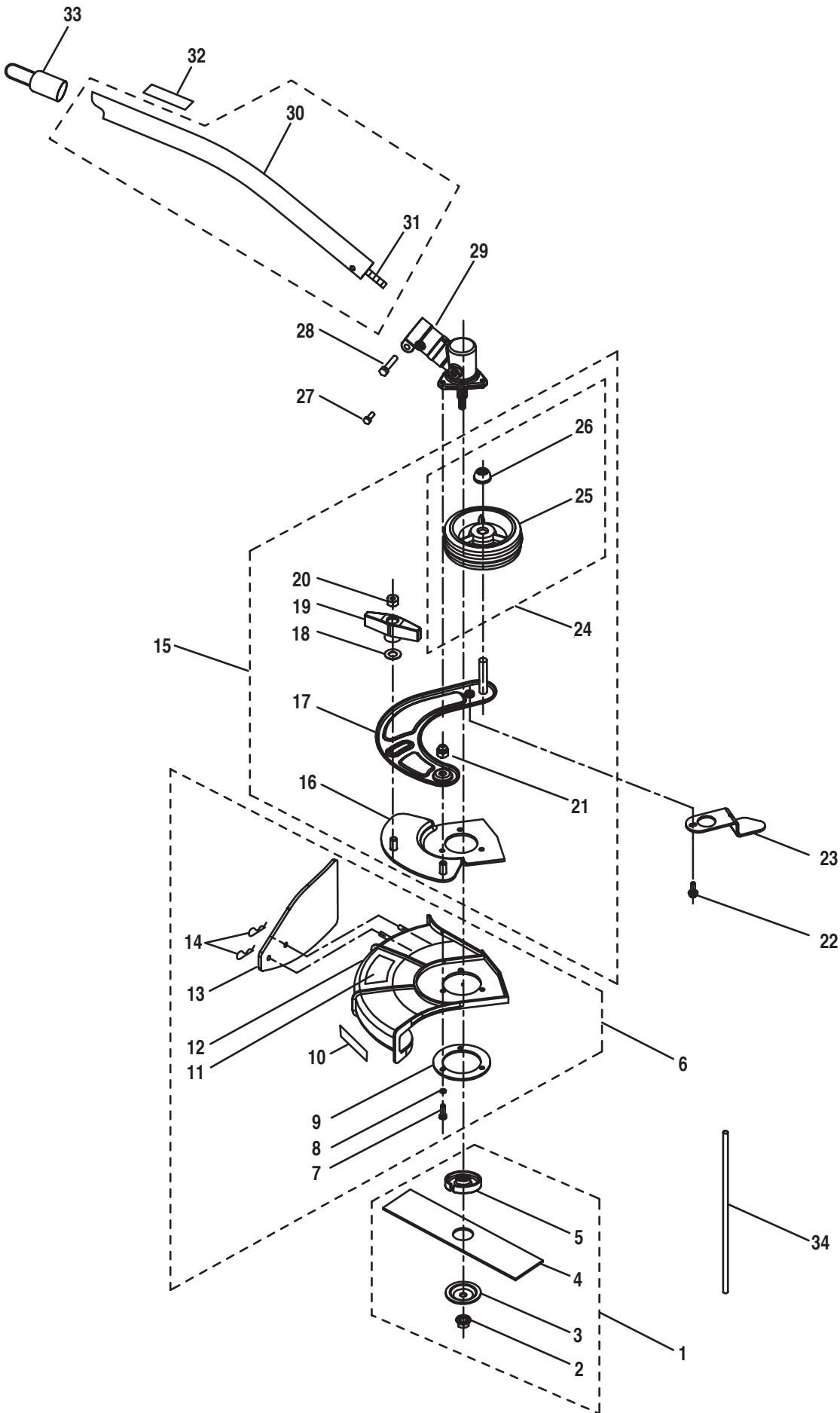
PARTS LIST



Model Nos. UT15518B and UT15518D

www.mymowerparts.com

EXPAND-IT EDGER – MODEL NO. UT15518B

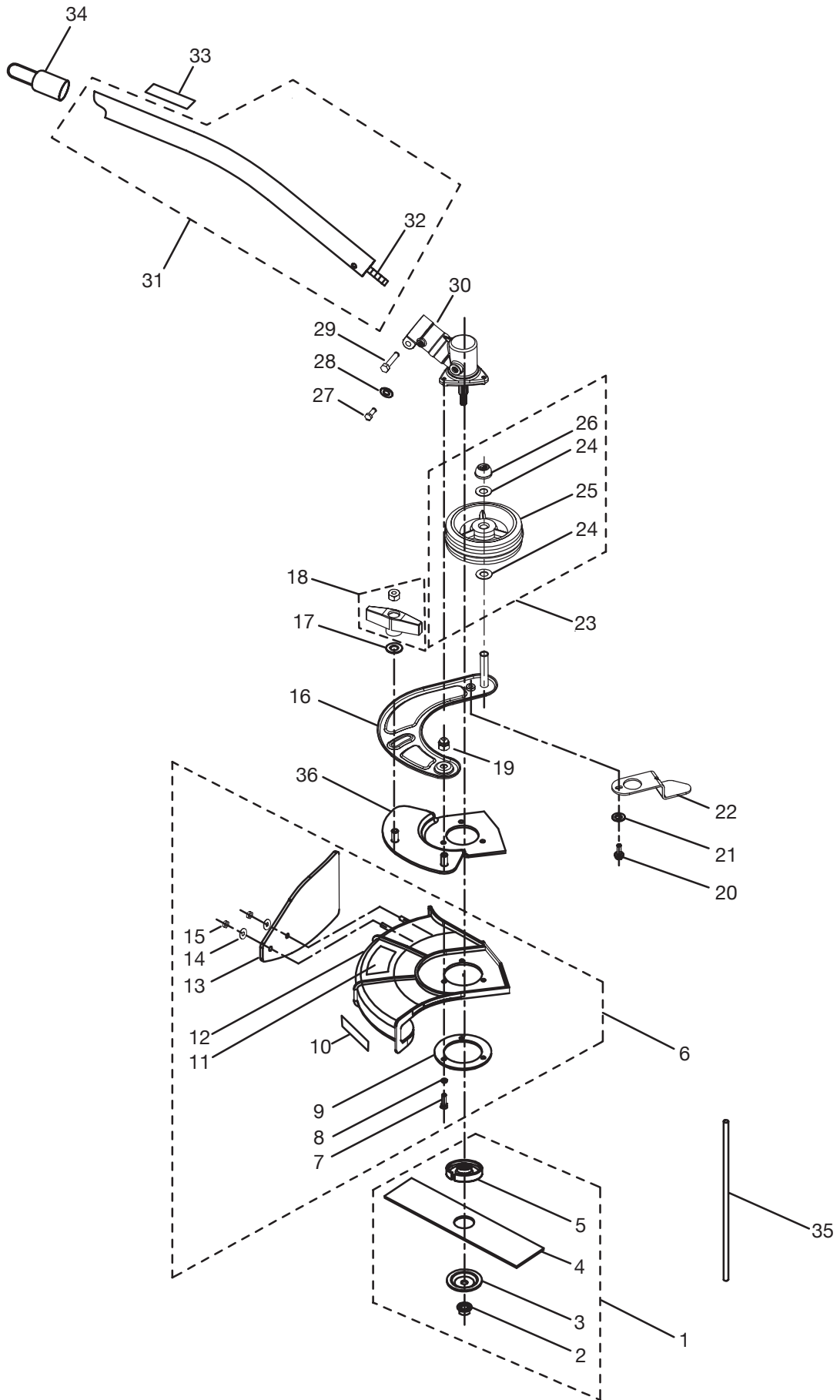


EXPAND-IT EDGER – MODEL NO. UT15518B

PARTS LIST

KEY NO.	PART NUMBER	DESCRIPTION	QTY.
1	UT15518D-01	BLADE ASSEMBLY (INCLUDES KEY NOS. 2-5)	1
2	UT15518D-02	LOCK NUT (M8)	1
3	UT15518D-03	CUPPED WASHER	1
4	UT15518D-04	BLADE	1
5	UT15522D-08	FLANGED WASHER	1
6	UT15518D-05	BLADE GUARD ASSEMBLY (INCLUDES KEY NOS. 7-15)	1
7	UT15518D-06	HEX SCREW (M5)	3
8	UT15518D-07	HELICAL LOCK WASHER (5 mm)	3
9	UT15518D-08	RING	1
10	UT15518D-09	WARNING DECAL	1
11	UT15518D-10	EXPAND-IT LOGO LABEL	1
12	07061	BLADE GUARD	1
13	04990A	DRAG FLAP	1
14	03873A	PUSH CLIP	2
15	UT15518D-15	SUPPORT ARM ASSEMBLY (UT15518B) (INCLUDES KEY NOS. 16-21 AND 25-26)	1
16	A04745A	PLATE WITH STUD	1
17	PA01359	SUPPORT ARM	1
18	PS84010	WASHER (10 mm)	3
19	PS06364	ADJUSTING KNOB	1
20	81162	HEX NUT	1
21	81288	HEX NUT W/NYLON CAP	1
22	88049	SCREW (10-24 x 1/2 in. HEX HD.)	1
23	UT15518D-24	CURB GUIDE	1
24	UP06882	WHEEL ASSEMBLY (INCLUDES KEY NOS. 25-26)	1
25	UT15518D-27	WHEEL	1
26	04823	PUSH NUT (10 mm)	1
27	PSO4673	HEX SCREW (10-24 x 5/8 in. PAN HD.)	1
28	PSO4680	SCREW (1/4-20 x 1-1/4 in. PAN HD.)	1
29	UT15522D-10	GEAR HEAD ASSEMBLY	1
30	UT15518D-29	DRIVE SHAFT ASSEMBLY (INCLUDES KEY NO. 31)	1
31	UT15518D-30	FLEX SHAFT	1
32	UT15519D-02	WARNING DECAL	1
33	UT15519D-19	HANGER CAP	1
34	UT15518D-32	HOLDING PIN	1
	983000-215	OPERATOR'S MANUAL (UT15518B)	1
	983000-215 R	REPAIR SHEET (UT15518D)	1
	9-30-04		

**EXPAND-IT EDGER ATTACHMENT
MODEL NUMBER UT15518D**



**EXPAND-IT EDGER ATTACHMENT
MODEL NUMBER UT15518D**

The model number will be found on a plate attached to the motor housing. Always mention the model number in all correspondence regarding your **EXPAND-IT ATTACHMENT** or when ordering repair parts.

PARTS LIST

KEY NO.	PART NUMBER	DESCRIPTION	QTY.
1	UT15518D-01	BLADE ASSEMBLY	1
2	UT15518D-02	LOCK NUT (M8)	1
3	UT15518D-03	WASHER, CUPPED	1
4	UT15518D-04	BLADE, EDGER.....	1
5	UT15522D-08	WASHER, FLANGE	1
6	UT15518D-05	BLADE GUARD ASSEMBLY	1
7	UT15518D-06	* SCREW (10-24 X 5/8 in.)	3
8	UT15518D-07	WASHER, HELICAL LOCK #10	3
9	UT15518D-08	RING	1
10	UT15518D-09	DECAL, WARNING	1
11	UT15518D-10	DECAL, EXPAND-IT	1
12	UT15518D-11	BLADE GUARD	1
13	UT15518D-12	DRAG FLAP	1
14	UT15518D-13	WASHER, FLAT (6mm).....	2
15	UT15518D-14	NUT, HEX (M6)	2
16	UT15518D-17	SUPPORT ARM	1
17	UT15518D-18	WASHER, FLAT (10mm)	1
18	UT15518D-33	KNOB ASSEMBLY.....	1
19	UT15518D-21	NUT, HEX W/NYLON CAP (M8)	1
20	UT15518D-22	* SCREW, (M5 X 16mm, HEX)	1
21	UT15518D-23	WASHER, FLAT	1
22	UT15518D-24	CURB GUIDE.....	1
23	UT15518D-25	WHEEL ASSEMBLY.....	1
24	UT15518D-26	WASHER, FLAT (10mm)	2
25	UT15518D-27	EDGER WHEEL	1
26	UT15518D-28	NUT, PUSHON (10mm)	1
27	UT15522D-12	* SCREW, (M5 X 15mm, HEX HD.)	1
28	UT15522D-11	WASHER, FLAT	1
29	UT15522D-13	* SCREW, (M6 X 30mm, HEX HD.).....	1
30	UT15522D-10	GEARHEAD ASSEMBLY W/SCREWS	1
31	UT15518D-29	DRIVESHAFT ASSEMBLY	1
32	UT15518D-30	FLEXIBLE SHAFT	1
33	UT15519D-02	WARNING LABEL.....	1
34	UT15519D-19	END CAP	1
35	UT15518D-32	HOLDING PIN.....	1
36	UT15518D-16	PLATE AND STUD.....	1
	983000223	OPERATOR'S MANUAL	
	983000223R	REPAIR SHEET	
	09-13-04		

*STANDARD HARDWARE ITEM – MAY BE PURCHASED LOCALLY