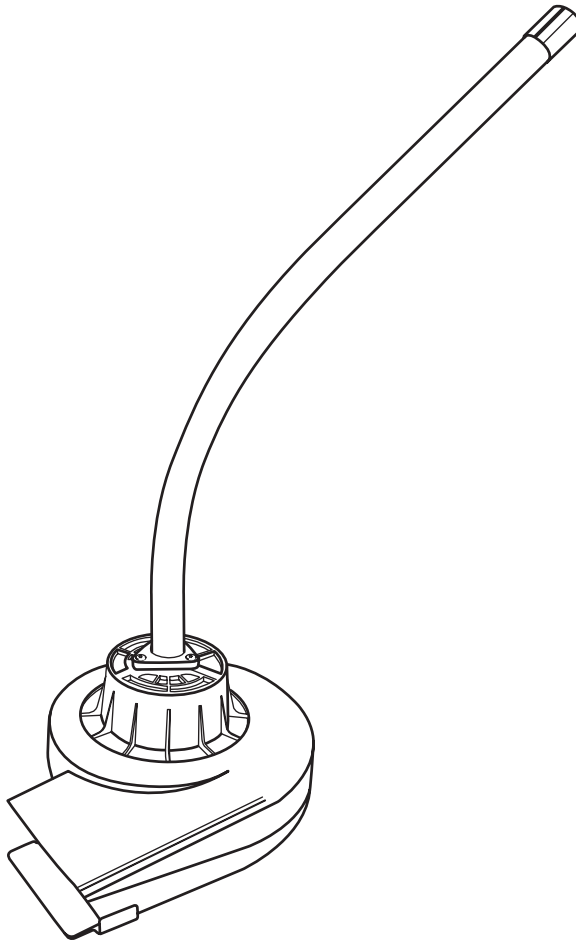


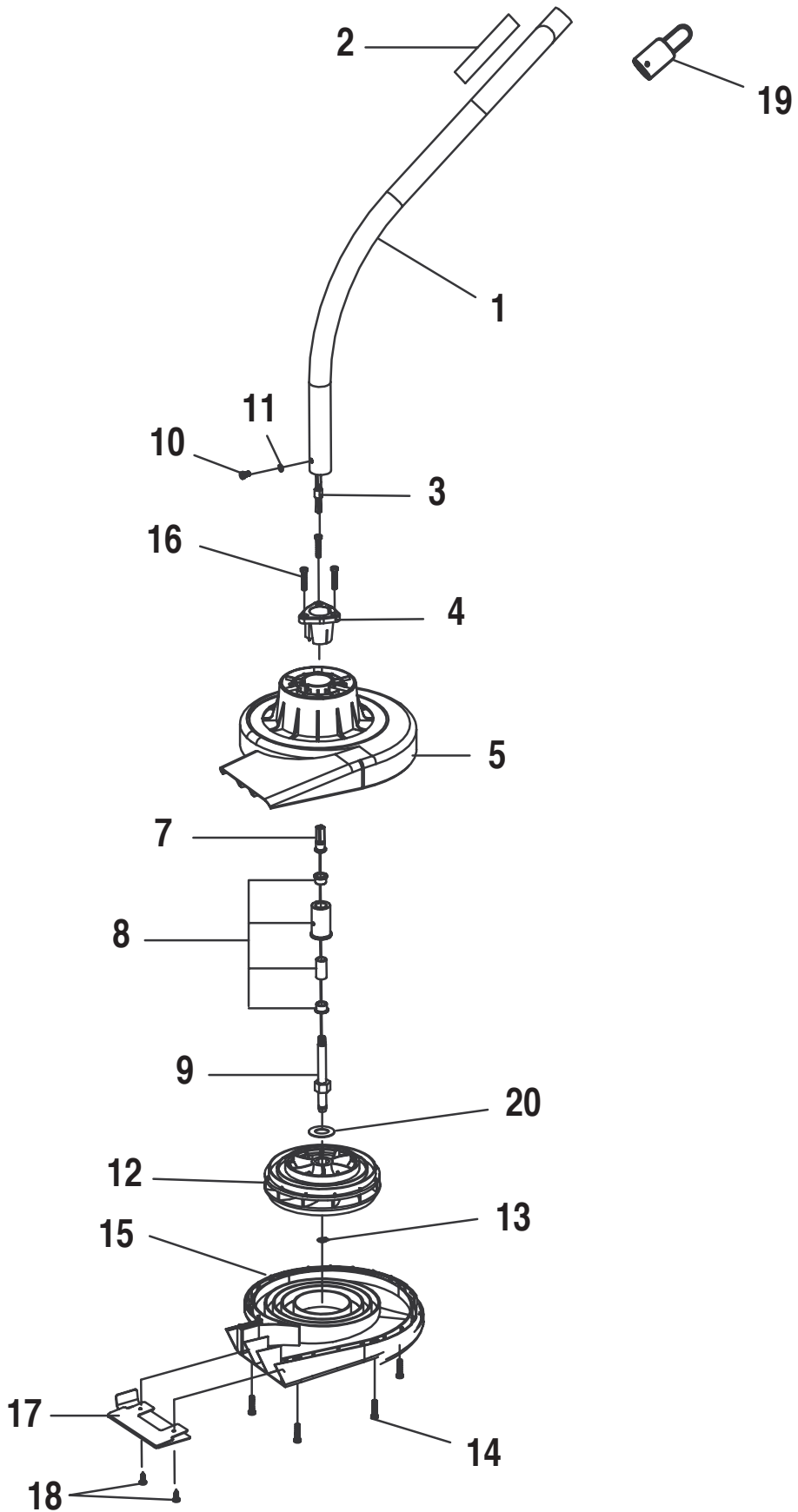
# **Expand~~o~~it™** Attachment System

## **PARTS LIST**



**Model Nos. UT15519B and UT15519D**

EXPAND-IT BLOWER – MODEL NOS. UT15519B AND UT15519D



EXPAND-IT BLOWER – MODEL NOS. UT15519B AND UT15519D

**PARTS LIST**

KEY	PART NO.	DESCRIPTION	QTY.
1	UT15519D-01	DRIVE SHAFT HOUSING ASSEMBLY (UT15519B and UT15519D)	1
2	UT15519D-02	WARNING LABEL (UT15519B and UT15519D)	1
3	UT15519D-03	DRIVE SHAFT (UT15519B and UT15519D)	1
4	UT15519D-04	CLAMP (UT15519B and UT15519D)	1
5	UT15519D-05	UPPER HOUSING (UT15519B and UT15519D)	1
7	UT15519D-07	ARBOR ADAPTER (UT15519D)	1
	<b>GM166501</b>	ARBOR ADAPTER ( <b>UT15519B</b> )	1
8	UT15519D-08	BUSHING (UT15519D)	1
	<b>984933-001</b>	BUSHING ( <b>UT15519B</b> )	1
9	UT15519D-09	ARBOR SHAFT (UT15519D)	1
	<b>08467</b>	ARBOR SHAFT ( <b>UT15519B</b> )	1
10	UT15519D-10	SCREW (M5 x 6 mm ) (UT15519D)	1
	<b>GM011401</b>	SCREW (10-24 x 5/16 in.) ( <b>UT15519B</b> )	1
11	UT15519D-11	LOCK WASHER (UT15519D)	1
	<b>GM041101</b>	LOCK WASHER ( <b>UT15519B</b> )	1
12	UT15519D-12	IMPELLER (UT15519B and UT15519D)	1
13	UT15519D-13	RETAINING RING (UT15519D)	1
	<b>08468</b>	RETAINING RING ( <b>UT15519B</b> )	1
14	UT15519D-14	SCREW (M4.2 x 19 mm) (UT15519D)	5
	<b>82628</b>	SCREW (8-16 x 3/4 in.) ( <b>UT15519B</b> )	5
15	UT15519D-15	LOWER HOUSING (UT15519B and UT15519D)	1
16	UT15519D-16	SCREW (M4.8 x 26 mm T.F.) (UT15519D)	3
	<b>82627</b>	SCREW (8-16 x 1 in. T.F.) ( <b>UT15519B</b> )	3
17	UT15519D-17	LOWER HOUSING GUARD (UT15519B and UT15519D)	1
18	UT15519D-18	SCREW (M4.2 x 12 mm) (UT15519D)	2
	<b>82348A</b>	SCREW (8-18 x 1/2 in.) ( <b>UT15519B</b> )	2
19	UT15519D-19	HANGER CAP (UT15519B and UT15519D)	1
20	UT15519D-20	WASHER (UT15519D)	1
	983000-216	OPERATOR'S MANUAL ( <b>UT15519B</b> )	
	983000-216R	REPAIR SHEET ( <b>UT15519B</b> )	
	983000-224	OPERATOR'S MANUAL (UT15519D)	
	983000-224R	REPAIR SHEET (UT15519D)	
	8-03		