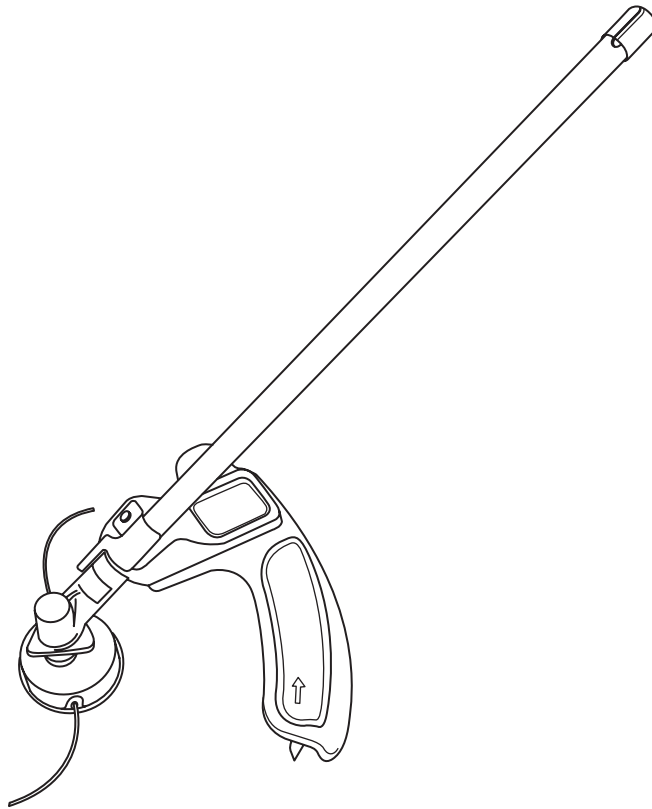


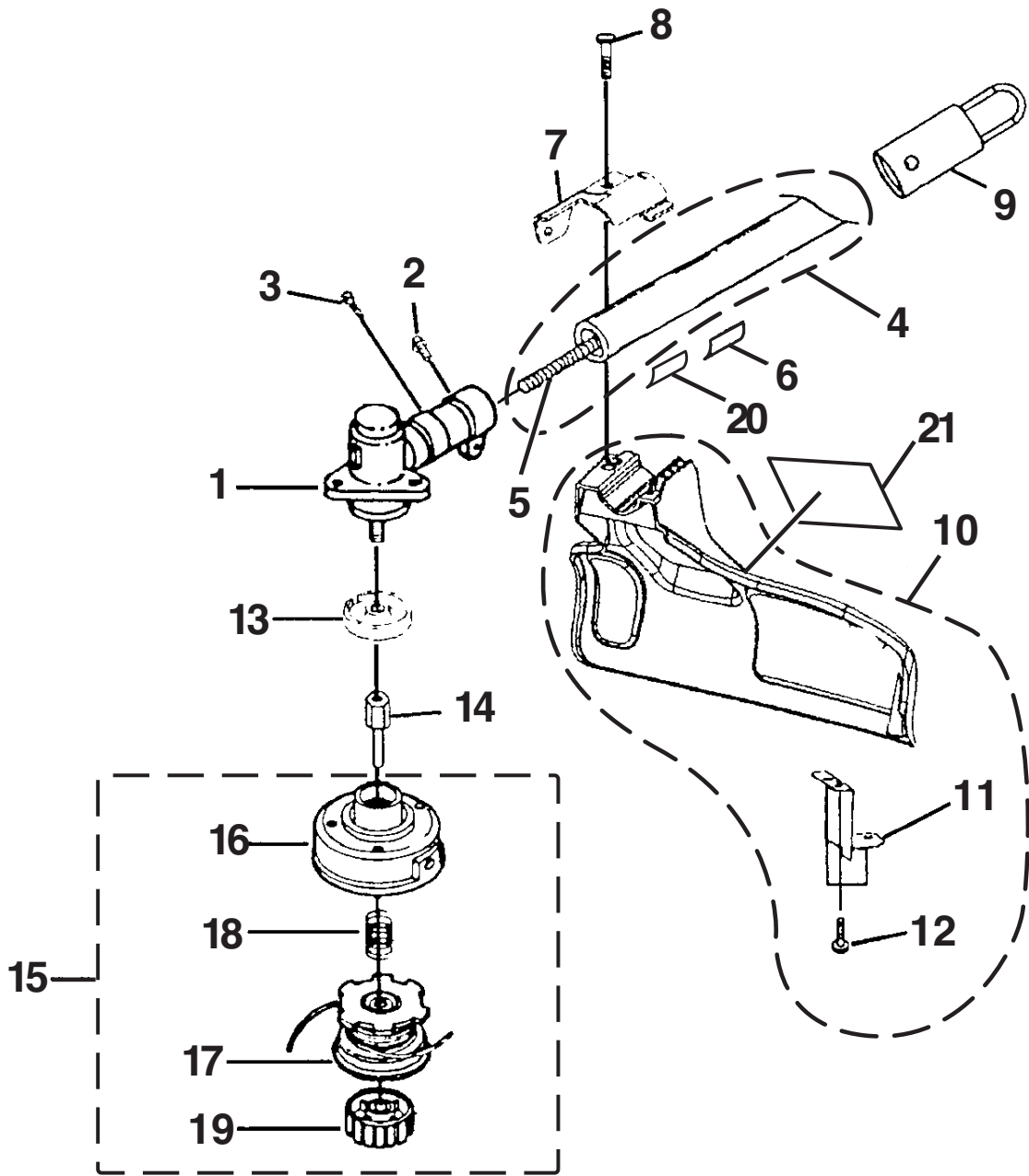
Expand~~it~~™ Attachment System

PARTS LIST



Model Nos. UT15522B and UT15522D

EXPAND-IT TRIMMER – MODEL UT15522B

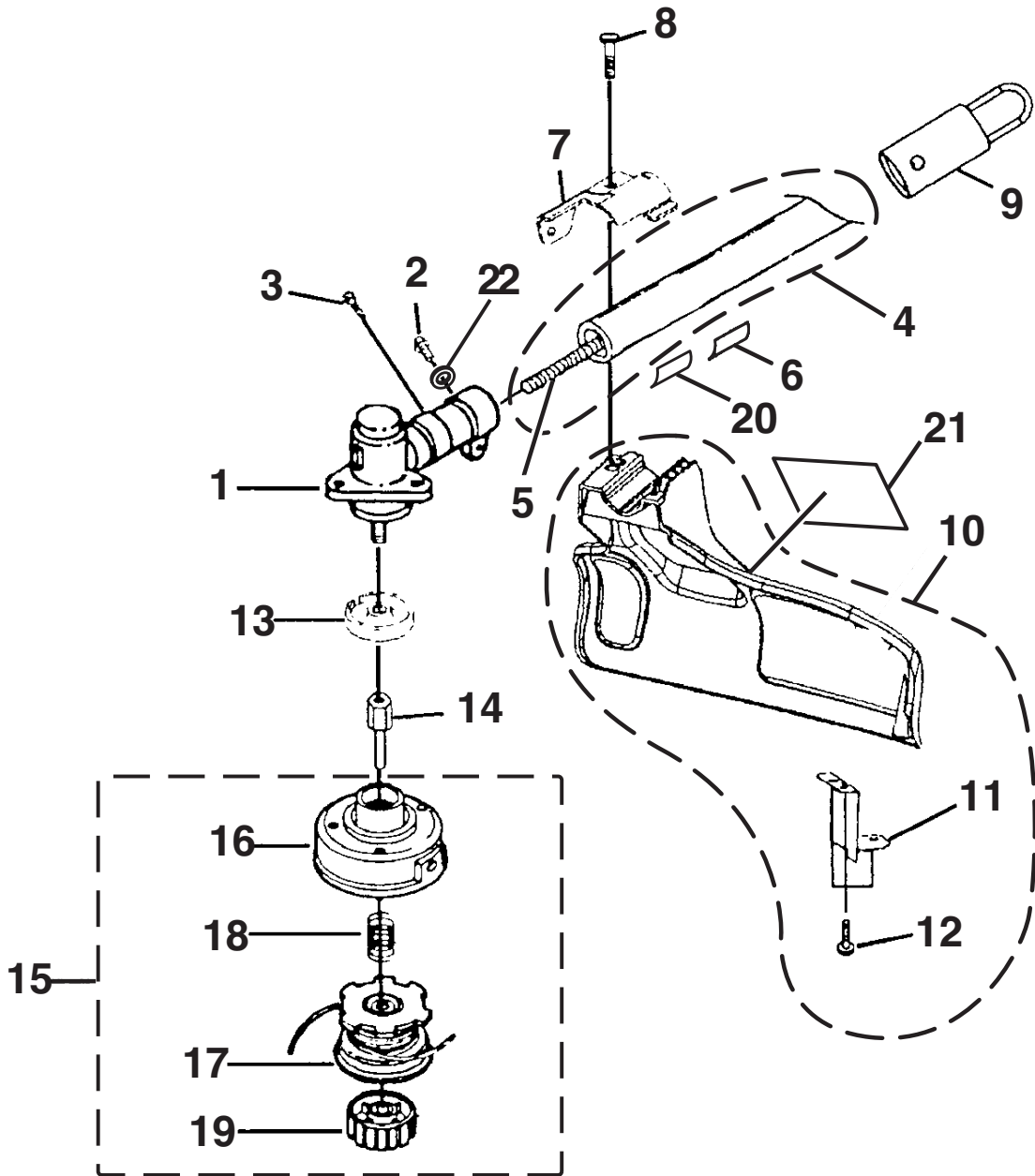


EXPAND-IT TRIMMER – MODEL UT15522B

PARTS LIST

KEY	PART NO.	DESCRIPTION	QTY.
1	UT15522D-10	GEAR HEAD ASSEMBLY W/SCREWS	1
2	PSO4673	SCREW (10-24 X 5/8 in. HEX HD.)	1
3	PSO4680	CAP SCREW (1/4-20 X 1-1/4 in.)	1
4	UT15522D-20	DRIVE SHAFT HOUSING ASSEMBLY	1
5	983642-001	FLEXIBLE SHAFT ASSEMBLY	1
6	UT15522D-22	WARNING DECAL	1
7	UT15522D-14	GRASS SHIELD CLAMP	1
8	82554	SCREW (1/4-20 X 1-1/4 in. PAN HD.)	1
9	UT15519D-19	HANGER CAP	1
10	UT15522D-16	GRASS SHIELD ASSEMBLY W/SCREWS	1
11	UT15522D-18	CUT-OFF BLADE	1
12	82543	SCREW (8-16 x 1/2 in. PAN HD.)	3
13	UT15522D-08	FLANGE WASHER	1
14	UT15522D-07	STRING HEAD ADAPTER	1
15	UT15522D-02	STRING HEAD ASSEMBLY	1
16	UT15522D-06	HOUSING W/EYELET	1
17	UT15522D-04	SPOOL W/STRING	1
18	UT15522D-05	COMPRESSION SPRING	1
19	UT15522D-03	SPOOL RETAINER	1
20	UT15522D-24	WARNING LABEL	1
21	UT15522D-23	LOGO PLATE	1
	983000-219R	OPERATOR'S MANUAL	1
	8-03		

EXPAND-IT TRIMMER – MODEL UT15522D



EXPAND-IT TRIMMER – MODEL UT15522D

PARTS LIST

KEY	PART NO.	DESCRIPTION	QTY.
1	UT15522D-10	GEAR HEAD ASSEMBLY WITH SCREWS	1
2	UT15519D-12	SCREW (M5 x 15 mm HEX HD.)	1
3	UT15522D-13	CAP SCREW (M6 x 30 mm)	1
4	UT15522D-20	DRIVE SHAFT HOUSING ASSEMBLY	1
5	UT15518D-30	FLEXIBLE SHAFT ASSEMBLY	1
6	UT15522D-22	WARNING DECAL	1
7	UT15522D-14	GRASS SHIELD CLAMP	1
8	UT15522D-15	SCREW (M6 x 30 mm)	1
9	UT15519D-19	HANGER CAP	1
10	UT15522D-16	GRASS SHIELD ASSEMBLY W/SCREWS	1
11	UT15522D-18	CUT-OFF BLADE	1
12	UT15522D-17	SCREW (M4.2 x 12 mm)	3
13	UT15522D-08	FLANGE WASHER	1
14	UT15522D-07	STRING HEAD ADAPTER	1
15	UT15522D-02	STRING HEAD ASSEMBLY	1
16	UT15522D-06	HOUSING W/EYELET	1
17	UT15522D-04	SPOOL W/STRING	1
18	UT15522D-05	COMPRESSION SPRING	1
19	UT15522D-03	SPOOL RETAINER	1
20	UT15522D-24	WARNING LABEL	1
21	UT15522D-23	LOGO PLATE	1
22	UT15522D-11	WASHER	1
	983000-222R	OPERATOR'S MANUAL	1
	8-03		