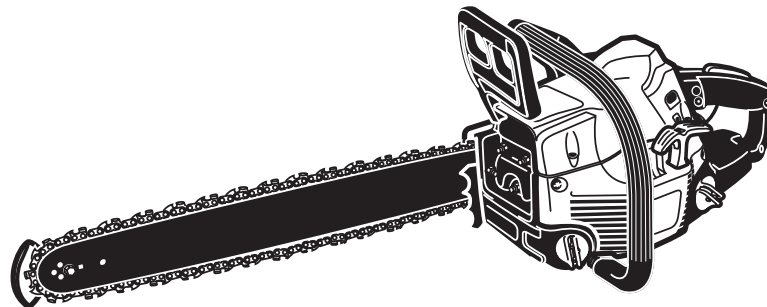


# Homelite®

## PARTS LIST



### Models

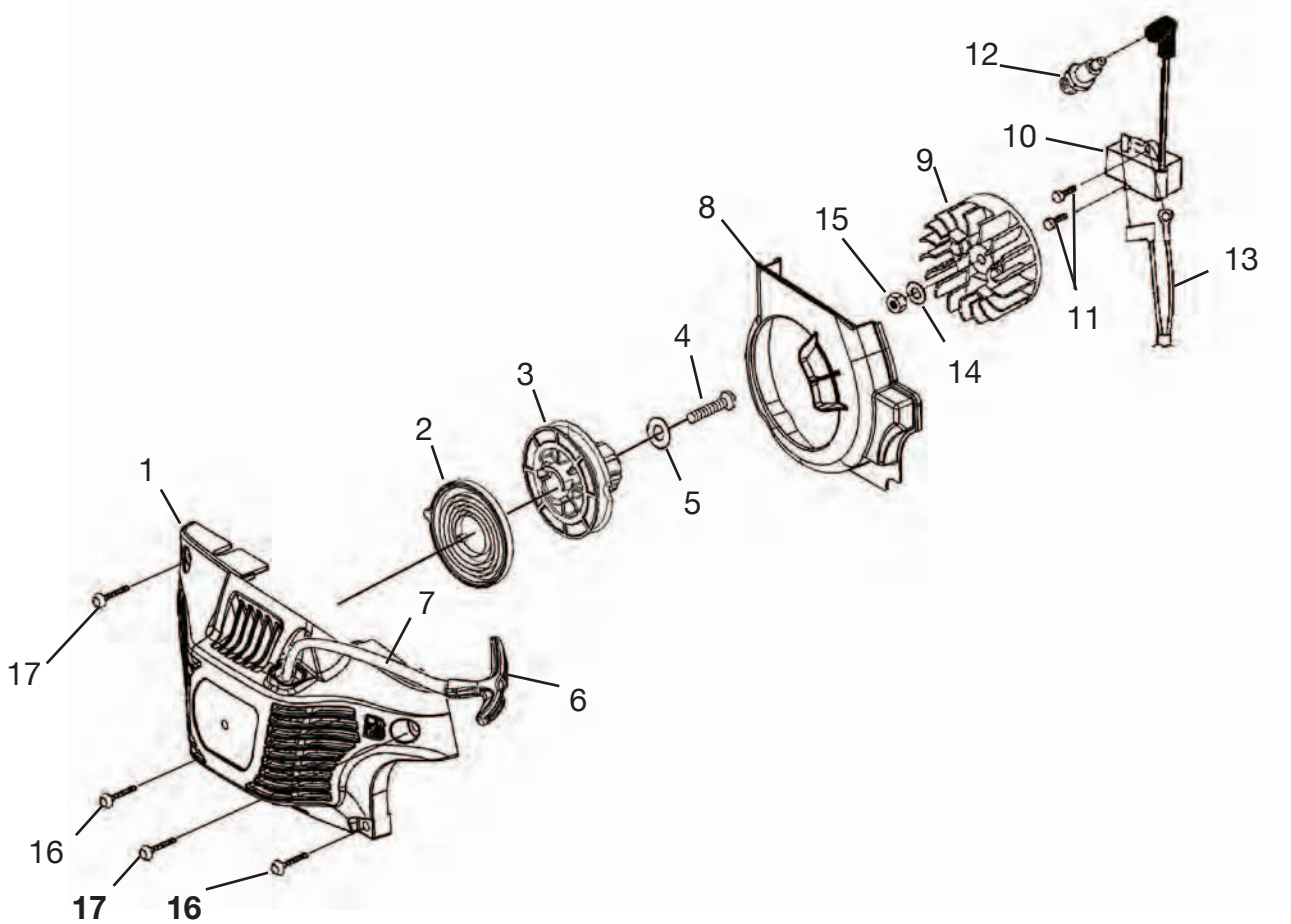
**45cc**

**38cc 16"**

UT10946, UT10946A, UT10942, UT10942A

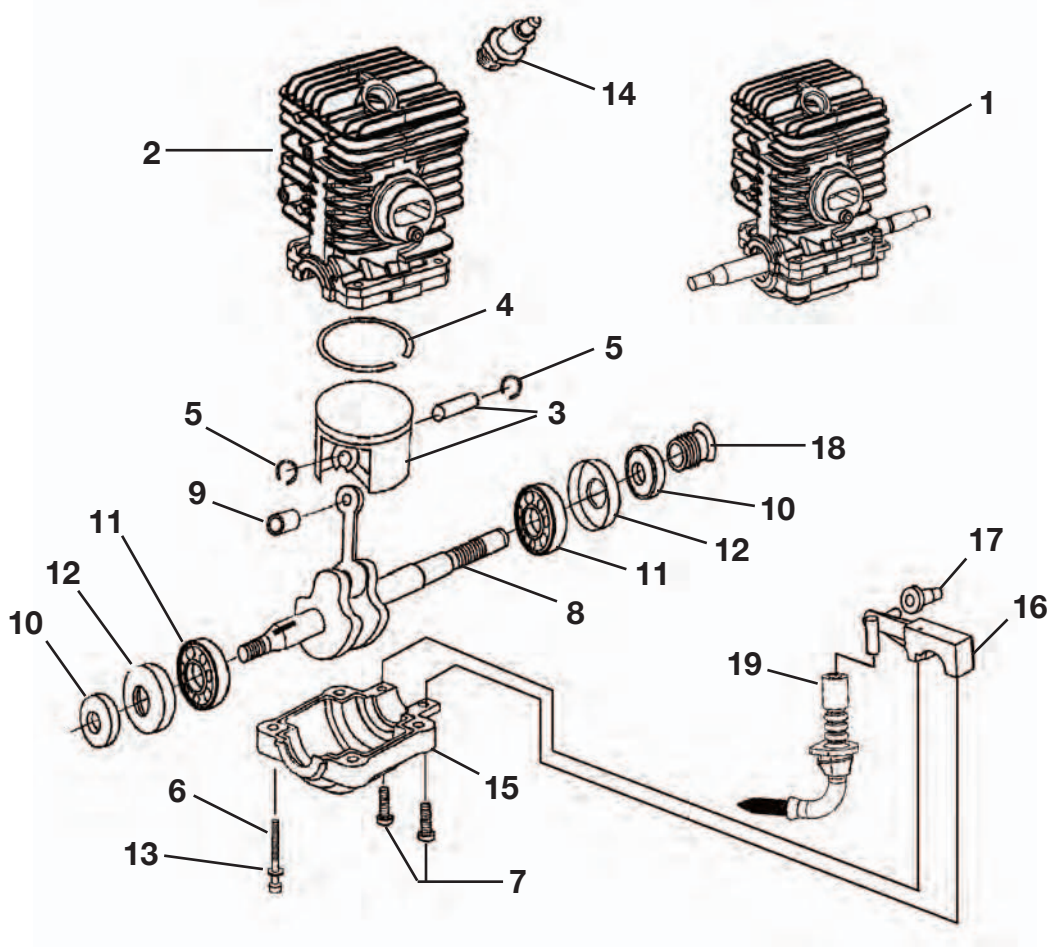
UT10927, UT10927A

## STARTER – IGNITION



NO.	PART NO.	DESCRIPTION	QTY.
1	984687-001	Starter Kit	1
2	PA01330	Spring & Container	1
3	PS03882	Pulley, Starter	1
4	82621	Screw, Thread Form (10-14 x 5/8")	1
5	94062	Washer, Retaining	1
6	PS06114	Grip, Starter	1
7	9789901	Rope, Starter 46"	1
8	PS03984	Baffle, Fan Housing	1
9	UP05850 A	Rotor w/ Starter Pawl	1
10	UP08653 A	Ignition Kit	1
11	82575	Screw, Thread Form (8-32 x 5/8")	2
12	PS06216	Spark Plug	1
13	PA01311	Ignition Switch Harness (UT10927, UT10927A, UT10942, UT10942A)	1
	PA01664	Ignition Switch Harness (UT10946, UT10946A)	1
14	PS84065	Washer, Flat	1
15	985730001	Nut, Jam	1
16	82620	Screw, Truss Hd. (10-14 x 7/8")	2
17	82621	Screw, Truss Hd. (10-14 x 5/8")	2

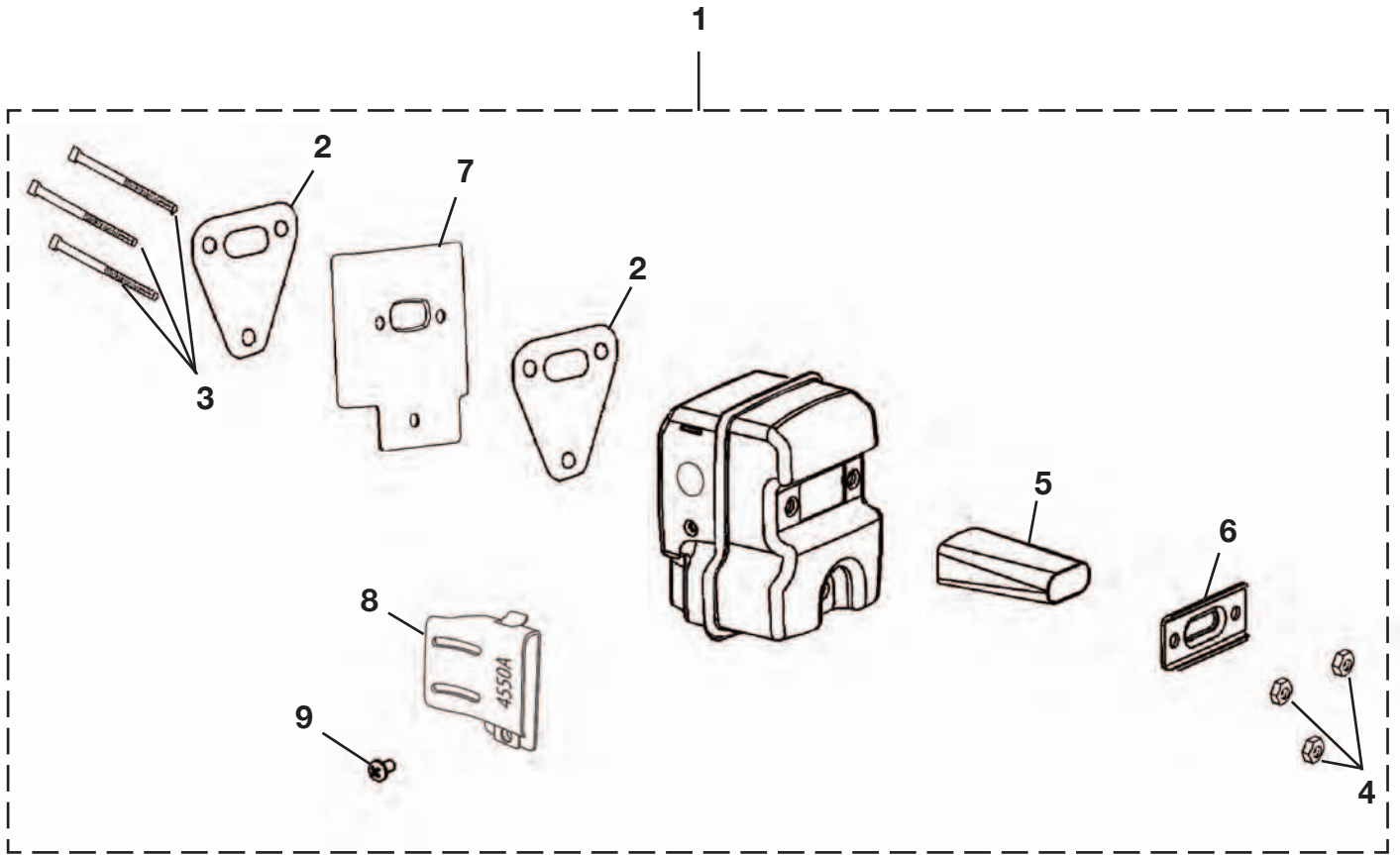
## ENGINE INTERNAL – OIL PUMP



NO.	PART NO.	DESCRIPTION	QTY.
1	•UP08656 A	Short Block, Complete (45cc)	1
2	•UP08657 A	Cylinder Kit (45cc)	1
	06839	Gasket, Muffler (Not Shown)	1
3	•UP00130 A	Piston & Pin (45cc)	1
4	09082	Piston Ring	1
5	64813	Ring, Retaining	2
6	82527	Screw, Cap-Socket Hd. (10-24 x 2")	4
7	PS04989	Screw, Pan Hd, Plastite (8-32 x 5/8")	2
8	•UP04165 A	Crankshaft & Rod Assy	1
9	PS04921	Bearing, Needle	1
10	04920	Shaft Seal	2
11	•A04931 A	Bearing & Rubber Case	2
12	04919	Bearing Case	2
13	84008	Washer	4

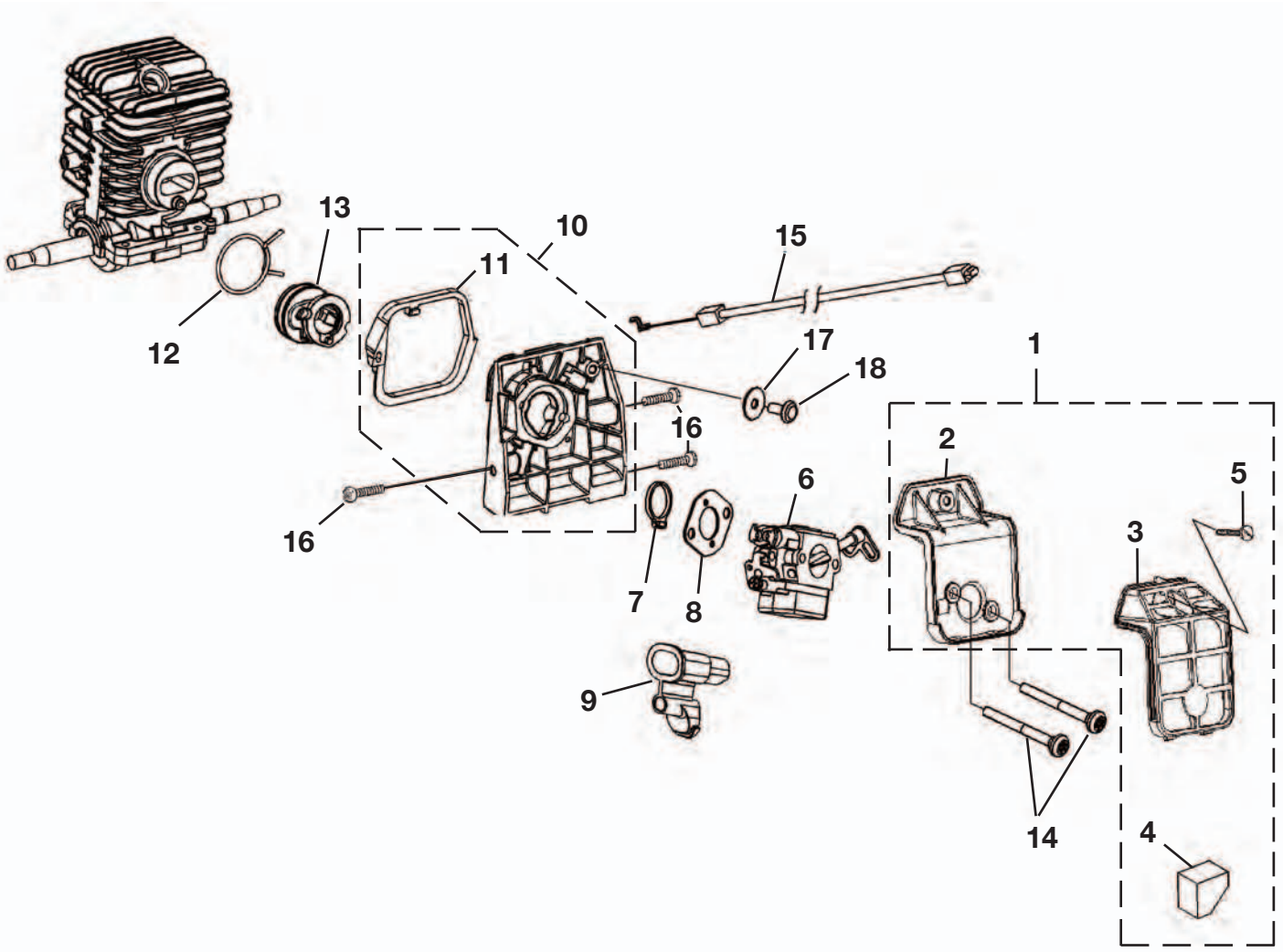
NO.	PART NO.	DESCRIPTION	QTY.
14	PS06216	Spark Plug	1
15	09097	Lower Crankcase	1
16	•UP06602	Oil Pump Kit	1
17	06841	Grommet, Oil Outlet (Also included in PA01629 Chassis)	1
18	06847	Left Hand Worm	1
19	PA01037	Oil Intake Tube w/Filter (Also included in PA01629, Chassis)	1
7	PS04989	Screw, Pan Hd, Plastite (8-32 x 5/8")	2

# MUFFLER



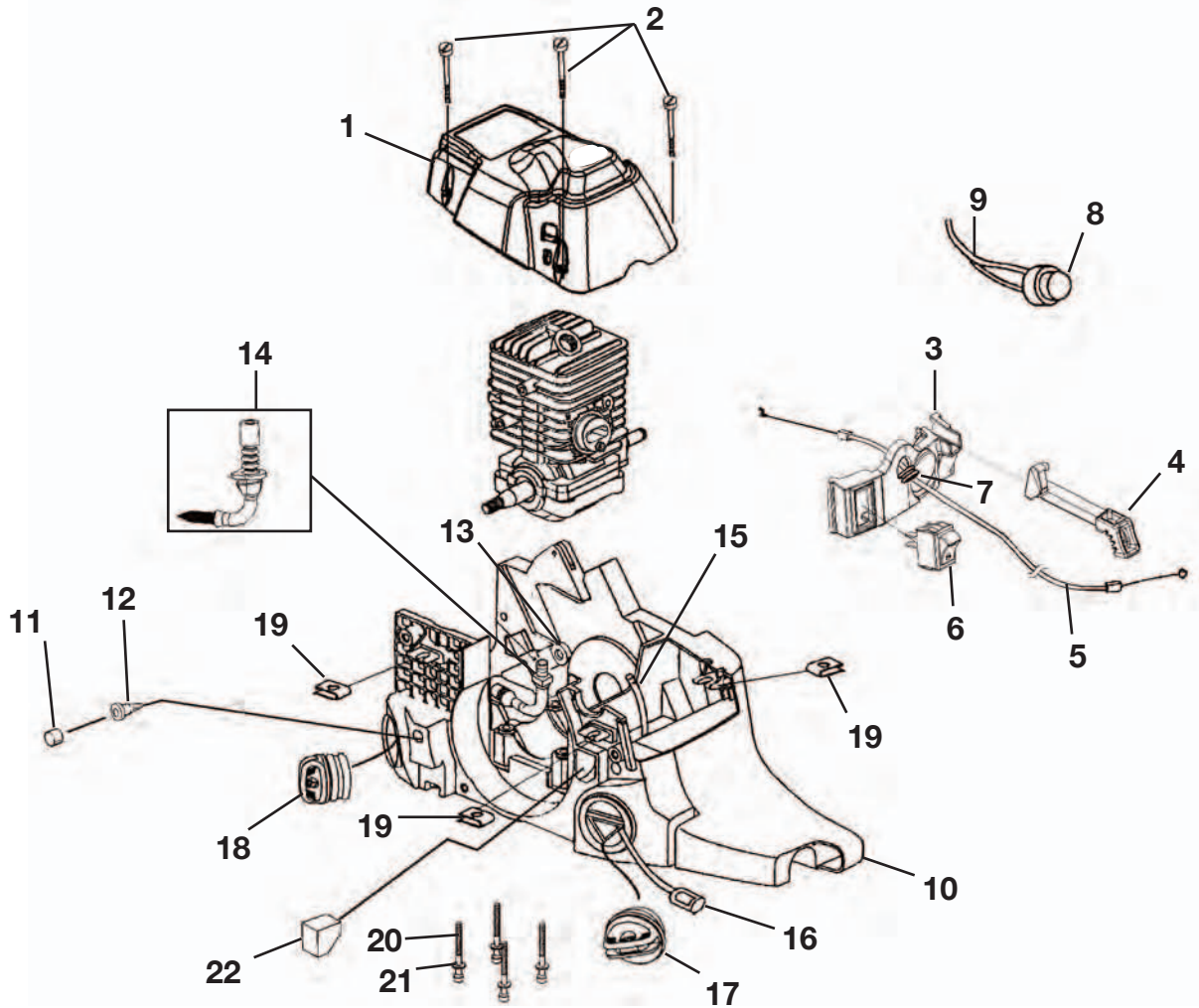
NO.	PART NO.	DESCRIPTION	QTY.
1	•UP08654 A	Muffler Kit	1
2	900848001	Muffler Gasket	2
3	PS04525	Screw-Square Hd.	3
4	81206	Nut-Locking Hex (10-32)	3
5	PS04350	Screen, Spark	1
6	PS04147	Screen Retainer	1
7	PS06121	Plate-Muffler	1
8	PS06075	Deflector, Muffler	1
9	95922	Screw	1

# CARBURETOR – AIR FILTER



NO.	PART NO.	DESCRIPTION	QTY.
1	•UP08095 A	Air Filter Kit	1
2	PA01284	Air Filter Base	1
3	PS02798	Air Filter Cover	1
4	PS05070	Pre Filter (Position shown in engine housing)	1
5	82617	Screw-Slotted Pan Hd. (8-16 x 5/8")	1
6	•UP08662 A	Carburetor Assembly	1
7	PS04375	Plate-Carburetor	1
8	PS05105	Gasket-Carburetor	1
9	PS04371	Grommet-Carburetor	1
10	•UP07896 A	Adaptor-Carburetor	1
11	PS04374	Seal-Carb Adaptor	1
12	PS04309	Clamp-Wire	1
13	PS02794	Intake Boot	1
14	PS04446	Screw 10-32 x 1.75	2
15	UP07868 A	Throttle Cable	1
16	82563	Screw-Torx	3
17	12789	Washer, Retaining	1
18	82623	Screw	1

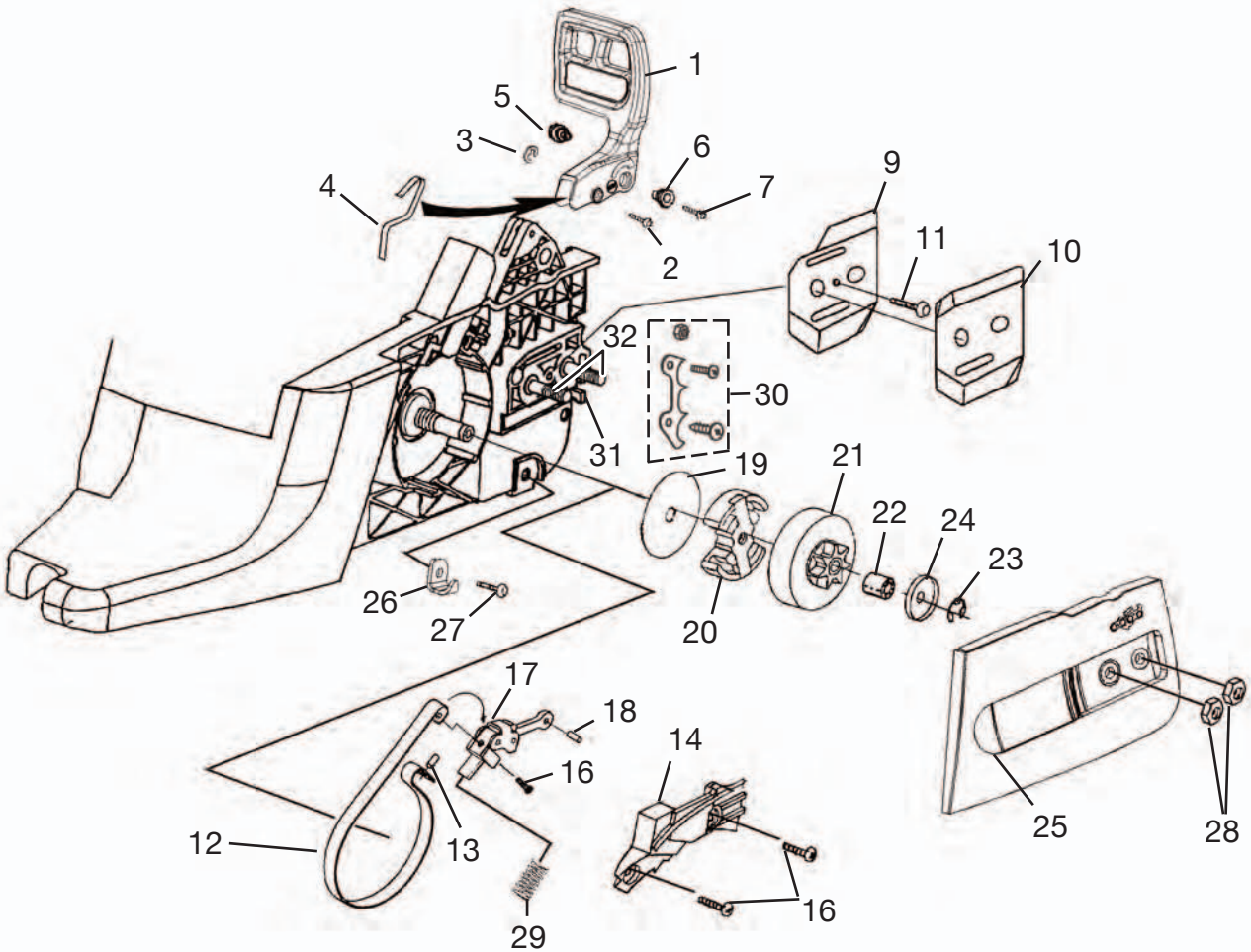
## ENGINE HOUSING – FUEL TANK – OIL TANK



NO.	PART NO.	DESCRIPTION	QTY.
1	•UP08663 A	Cylinder Cover Kit (UT10946 & A) w/safety decal (45cc 18")	1
1	•UP08709	Cylinder Cover Kit (UT10942 & A) w/safety decal (45cc 20")	1
1	•UP08711 A	Cylinder Cover Kit (UT10927 & A) w/safety decal (38cc 16")	1
2	07597	Screw-Slotted Pan Hd.	3
3	PS06119	Control Panel	1
4	PA01644	Rod, Choke	1
5	UP07868 A	Throttle Cable	1
6	PS06163	Switch, Rocker	1
7	07587	Grommet - Split	2
8	PS06164	Primer Bulb	1
9	0745410	Rubber Tubing (5 1/2")	1

NO.	PART NO.	DESCRIPTION	QTY.
10	•985028-001	Chassis	1
11	07403	Element, Filter (Bronze)	2
12	03134	Duck Bill Valve	2
13	06841	Oil Outlet Grommet (Also included in UP06602, Oil Pump Kit)	1
14	PA01037	Oil Intake Tube w/Filter (Also included in UP06602, Oil Pump Kit)	1
15	0745434	Rubber Tubing (8 1/2")	1
16	PS03380	Fuel Filter	1
17	PA01645	Fuel Cap w/ Retainer	1
18	PA01646	Oil Cap w/ Retainer	1
19	07598	Speed Nut ("U-Type")	3
20	82527	Screw, Cap-Socket Hd. (10-24 x 2")	4
21	84008	Washer	4
22	PS05070	Pre Filter (Included in UP08095A, Air Filter Kit)	1
	UP08669 A	Decal Kit (45cc 18")	
	UP08708 A	Decal Kit (38cc 16")	
	UP08710 A	Decal Kit (45cc 20")	

# CLUTCH - CHAIN BRAKE - DRIVE CASE COVER

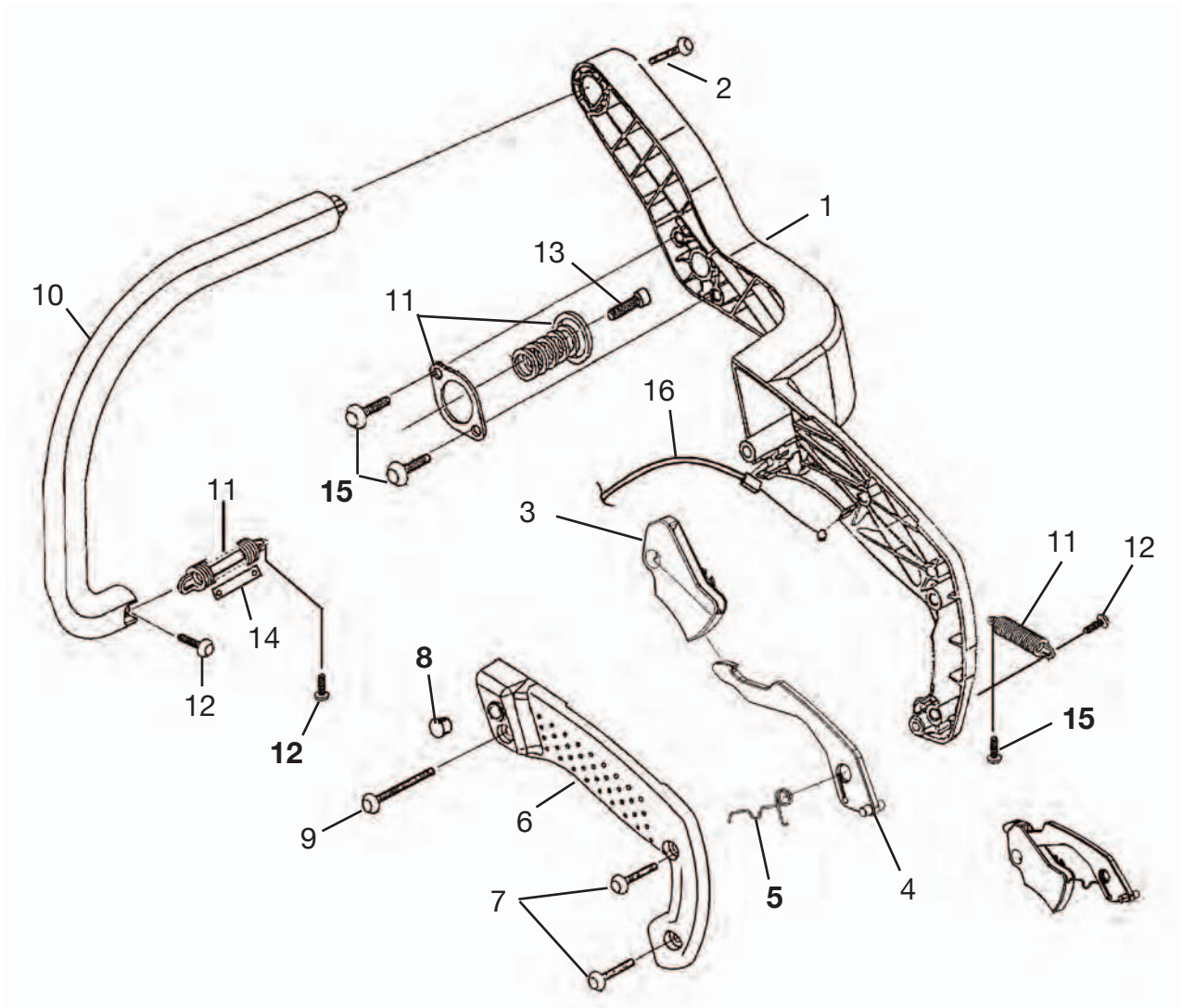


NO.	PART NO.	DESCRIPTION	QTY.
1	•PS04726	Hand Guard	1
2	07580	Hand Guard Actuating Pin	1
3	69599	Retaining Ring	1
4	PS04955	Spring, Handguard	1
5	07393	Pivot, L.H.	1
6	07392	Pivot, R.H.	1
7	82624	Screw, Hex Socket Hd. (8-32 x 5/8")	1
9	07404 A	Plate, Guide Bar	1
10	07405 A	Plate, Guide Bar	1
11	82513	Screw, Thread Form (6-19 x 1/2")	1
12	•985030-001	Chain Brake Band	1
13	06672	Pin, Roll	1
14	985021-001	Cover, Chain Brake	1
16	82623	Screw, Pan Hd. (8-16 x .320)	3
17	984897-001	Chain Brake Link	1
18	95395 A	Pin, Roll	1
19	04940	Thrust Washer	1
20	984894-001	Clutch & Hardware	1
21	•984640-001	Sprocket, Drum (.325 Pitch)	1
22	PS04669	Bearing, Needle	1
23	08981	Ring, Retaining	1
24	04939 A	Washer, Cupped	1
25	PA01106	Drive Case Cover	1

NO.	PART NO.	DESCRIPTION	QTY.
26	•PS02928	Chain Catcher	1
27	82541	Screw, Thread Form (10-24 x 1/2")	1
28	81196	Nut, Hex	2
29	985240-001	Spring, Compression	1
30	UP08685 A	Bumper Spike Kit	1
31	UP08000 A	Adjusting Pin (UT10927 and UT10946) * Do not use with UT10942	1
	•985250-001	Chassis Kit*	1
	985030-001	Brake Band	1
	985021-001	Cover, Chain Brake	1
	82623	Screw	3
	985240-001	Spring	1
	985028-001	Chassis	1
32	PS04881	Bar Guide Bolt	2

\* NOTE: The Chassis Kit must be used the first time the Chassis is replaced. If it becomes necessary to replace the Chassis a second time, only the Chassis is required, not the entire Kit.

# HANDLES



NO.	PART NO.	DESCRIPTION	QTY.
1	•UP08098 A	Rear Handle Kit	1
2	82615	Screw-Pan Hd. (12-14 x 1 1/2")	1
3	PS06110	Trigger, Throttle	1
4	PS06111	Throttle Lock Out	1
5	PS04914	Torsion Spring	1
6	•UP08111 A	Handle Cover Kit	1
7	82563	Screw, Thread Form (10-14 x 3/4")	2
8	PS04932	Plug-Plastic	1
9	82622	Screw, Thread Form (10-14 x 1 3/8")	1
10	•UP07862 A	Front Handle Kit	1
2	82615	Screw-Pan Hd. (12-14 x 1 1/2")	1
11	•UP08007 A	Isolator Kit	1
12	82621	Screw, Truss Hd. (10-14 x 5/8")	3
13	82597	Screw, Truss Hd. (10-24 x 5/8")	1
14	01812 A	Limiters, Isolator	1
15	82541	Screw, Thread Form (10-14 x 1/2")	3
16	UP07868 A	Throttle Cable	1



## ACCESSORIES

.325 pitch .050 Gauge

Length of Bar	Guide Bar Part Number	Chain Part Number
16" .....	PSO6132 .....	PSO6136 - UT10927 & A
18" .....	PSO6131 .....	PSO6135 - UT10946 & A
20" .....	PSO6301 .....	PSO6134 - UT10942 & A

\* Standard bars from UT10927 and UT10946 are not usable on UT10942.

---

Sealant Silicon..... PS24823	Carry Case..... UP08681 A
Rubber tubing (10')..... 0745499	Bumper Spike Kit ..... UP08685 A
Wrench - Combination ..... 09207	Adjusting Pin Kit..... UP08000 A
Digital Tachometer..... 18416	Operator's Manuals:
Grease, Multi-purpose..... 18453	UT10946 and UT10946A..... PS06206
Compression Tester ..... 94194	UT10927A ..... PS06311 (983000-124)
Bit, Torx T27 ..... 1856601	UT10942A ..... PS06304 (983000-103)

### HOMELITE CONSUMER PRODUCTS, INC.

1428 Pearman Dairy Road Anderson, SC 29625  
 Post Office Box 1207, Anderson, SC 29622  
 Phone 1-800-chainsaw (1-800-242-4672)  
[www.homelite.com](http://www.homelite.com)