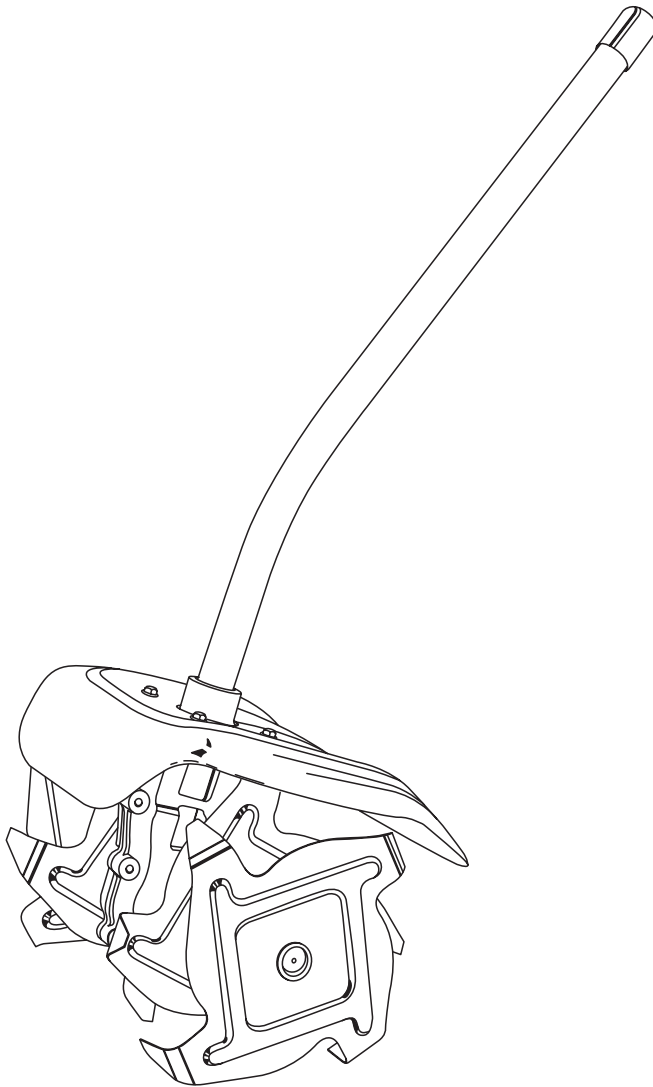


For Parts Call 606-678-9623 or 606-561-4983

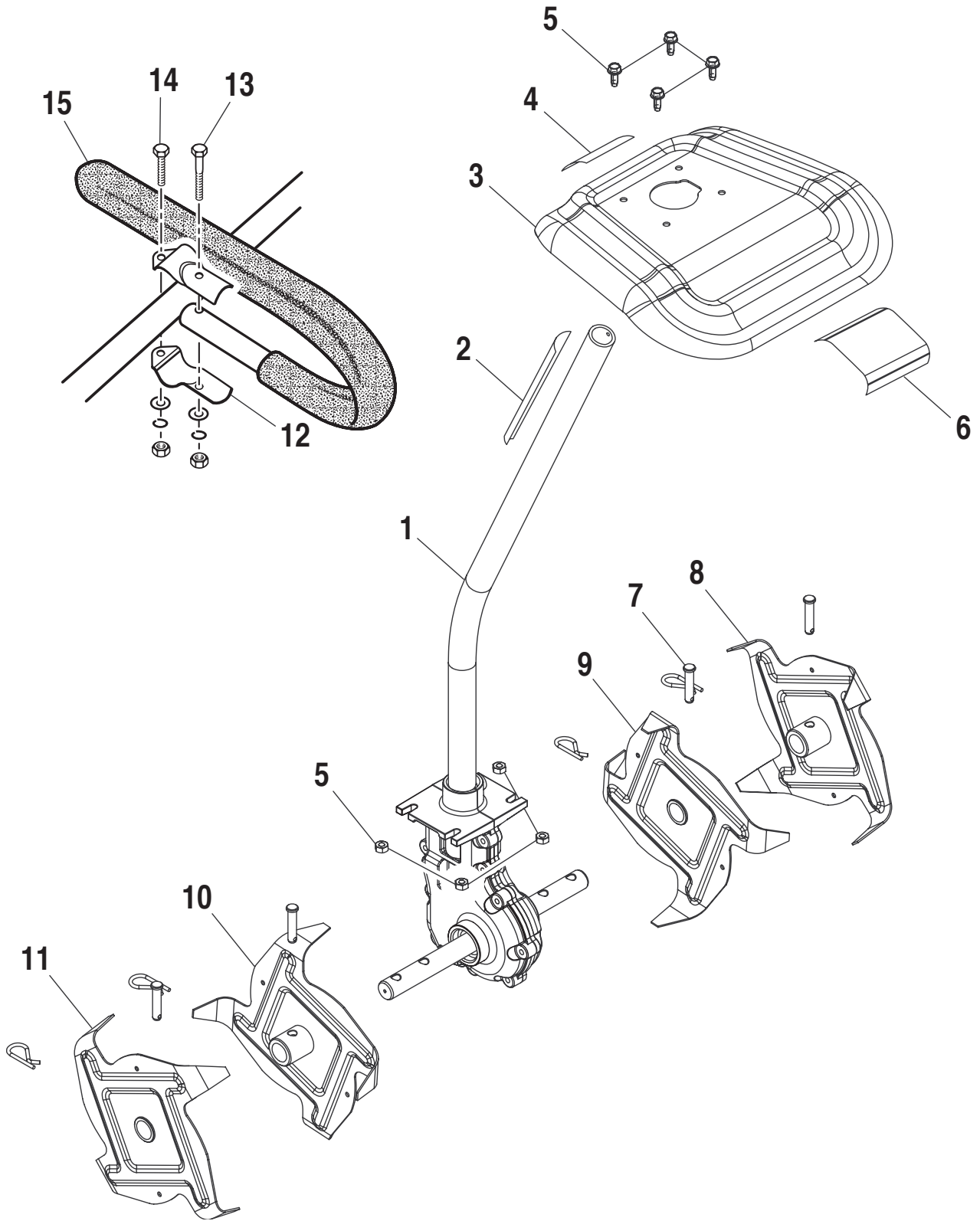
Expand~~o~~it™
Attachment System

PARTS LIST



MODEL NOS. UT15550 and UT15550A

EXPAND-IT TILLER – MODEL UT15550



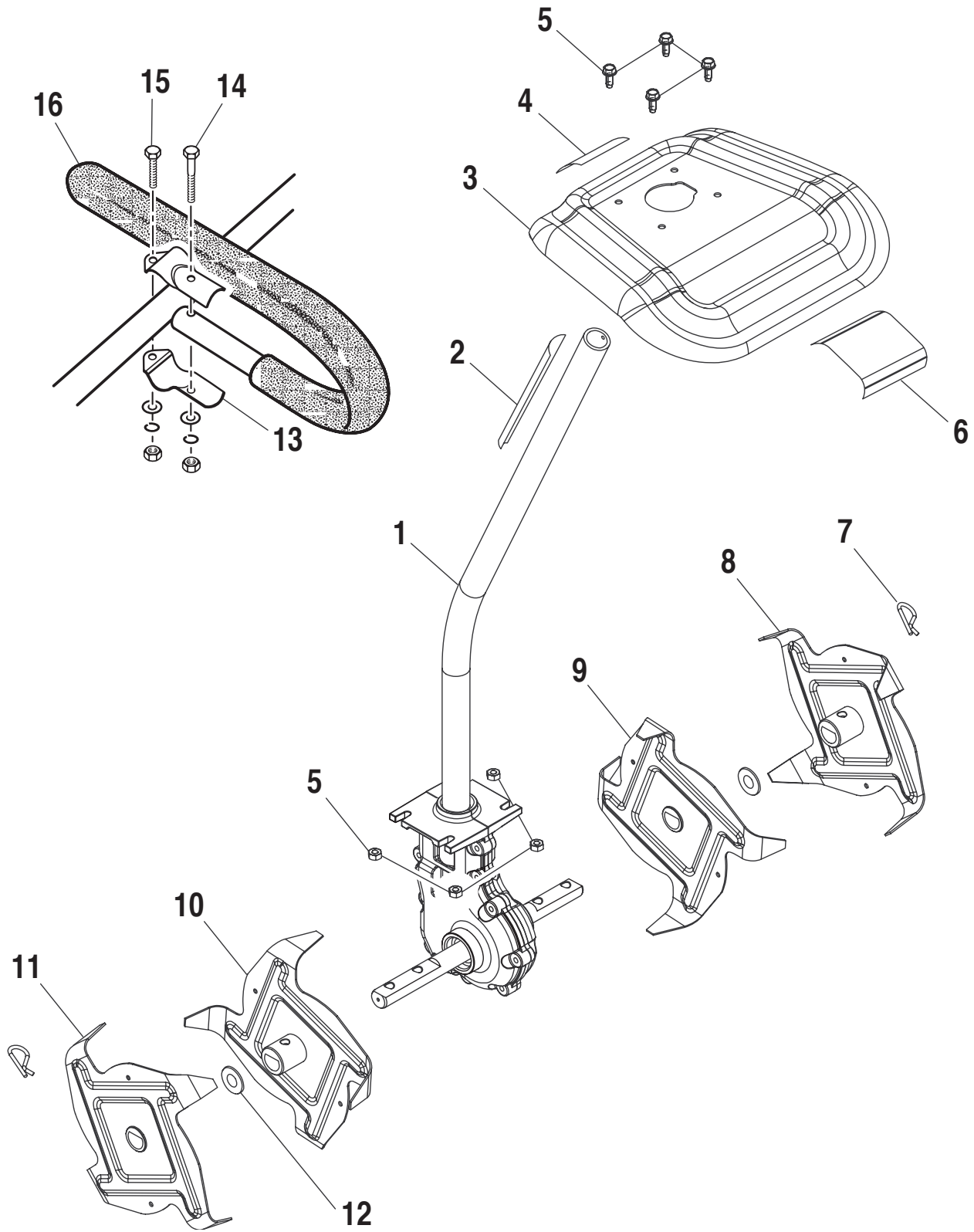
EXPAND-IT TILLER – MODEL UT15550

PARTS LIST

NO.	PART NO.	DESCRIPTION	QTY.
1	UT15550A-31	* GEAR CASE AND BOOM ASSEMBLY	1
2	UT15550A-03	WARNING LOGO	1
3	984010-001	TILLER SHIELD	1
4	UT15550A-32	EXPAND-IT TILLER DECAL	1
5	UT15550A-33	SCREW AND LOCK NUT	4
6	UT15550A-34	WARNING LOGO	1
7	984507-001	CLEVIS AND HINGE PIN	4
8	983368-001	TINE D ASSEMBLY	1
9	983369-001	TINE C ASSEMBLY	1
10	983371-001	TINE B ASSEMBLY	1
11	983370-001	TINE A ASSEMBLY	1
12	UT15550A-37	HANDLE BAR CLAMP	2
13	UT15550A-38	BOLT ASSEMBLY (M6 X 40)	1
14	UT15550A-39	BOLT ASSEMBLY (M6 X 25)	1
15	UT15550A-40	J HANDLE AND GRIP	1
	983000-220	OPERATOR'S MANUAL	
	983000-220R	REPAIR SHEET	
	4-08-04		

* The first time UT15550A-31 is used as a replacement part for UT15550 (U.S.A. made) tillers, items 8, 9, 10, and 11 from this page along with items 7 and 12 from page 5 will be required.

EXPAND-IT TILLER – MODEL UT15550A



EXPAND-IT TILLER – MODEL UT15550A

PARTS LIST

NO.	PART NO.	DESCRIPTION	QTY.
1	UT15550A-31	GEAR CASE AND BOOM ASSEMBLY	1
2	UT15550A-03	WARNING LOGO	1
3	UT15550A-07	TILLER SHIELD	1
4	UT15550A-32	EXPAND-IT TILLER DECAL	1
5	UT15550A-33	SCREW AND LOCK NUT	4
6	UT15550A-34	WARNING LOGO	1
7	UT15550A-35	CLIP PIN	2
8	UT15550A-28	TINE D ASSEMBLY	1
9	UT15550A-27	TINE C ASSEMBLY	1
10	UT15550A-26	TINE B ASSEMBLY	1
11	UT15550A-25	TINE A ASSEMBLY	1
12	UT15550A-36	FELT WASHER	2
13	UT15550A-37	HANDLE BAR CLAMP	2
14	UT15550A-38	BOLT ASSEMBLY (M6 X 40)	1
15	UT15550A-39	BOLT ASSEMBLY (M6 X 25)	1
16	UT15550A-40	J HANDLE AND GRIP	1
	983000-253	OPERATOR'S MANUAL (MODEL UT15550A)	
	983000-253R	REPAIR SHEET (MODEL UT15550A)	
	4-08-04		