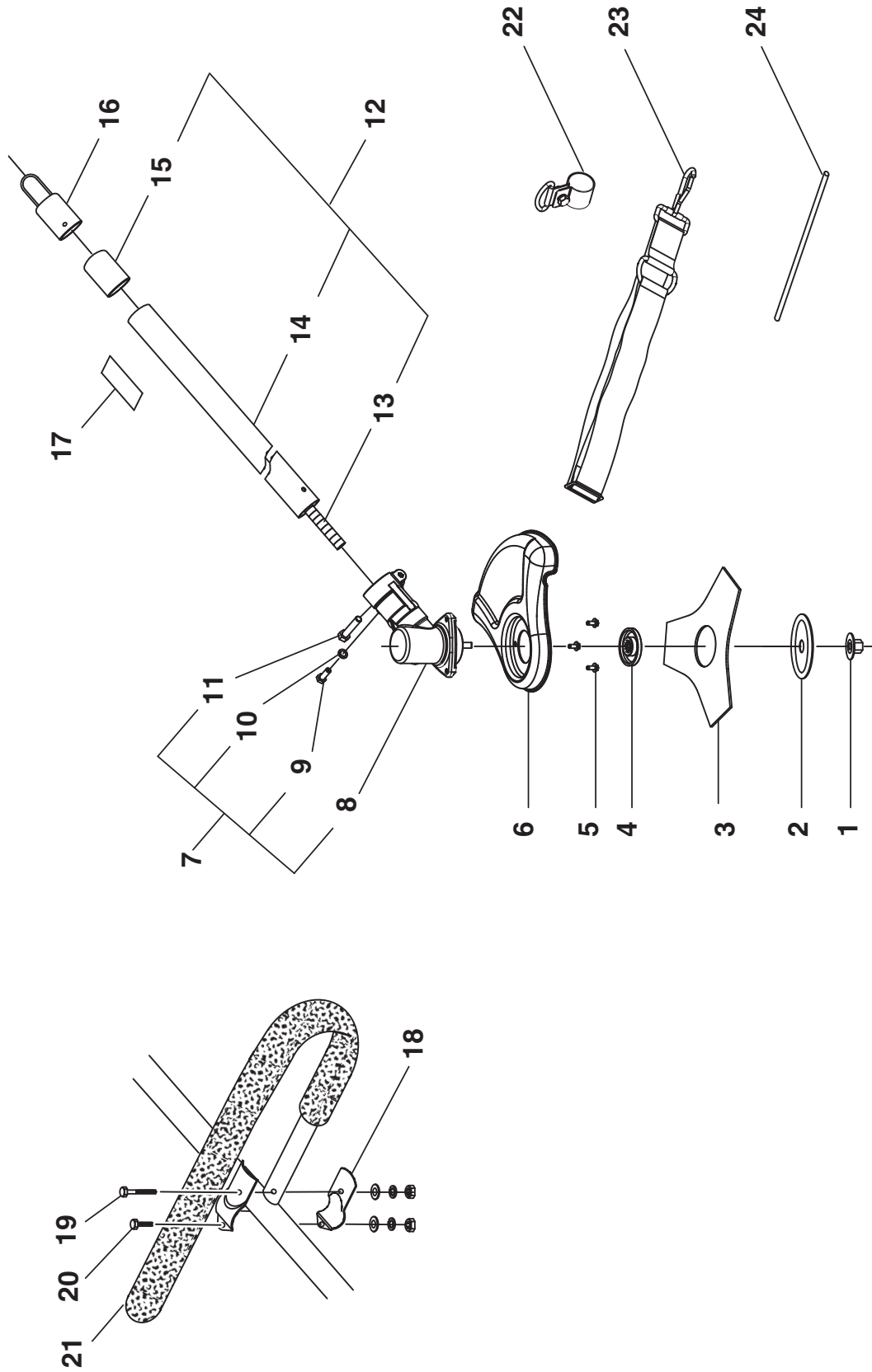


For Parts Call 606-678-9623 or 606-561-4983

**EXPAND-IT
BRUSH CUTTER ATTACHMENT
MODEL NO. UT15702A
REPAIR SHEET**

EXPAND-IT BRUSH CUTTER – MODEL NO. UT15702A



EXPAND-IT BRUSH CUTTER - MODEL NO. UT15702A

PARTS LIST

KEY NO.	PART NUMBER	DESCRIPTION	QTY
1	099078001002	NUT-LOCK(M8)	1
2	099078001003	FLANGED WASHER	1
3	099075001001	BLADE	1
4	099078001005	CUPPED WASHER	1
5	099075001002	SCREW-HEX (10-24UNC) WITH DISH WASHER	3
6	099075001003	SHIELD	1
7	099075001004	GEARHEAD & SCREW ASSEMBLY (INCLUDES KEY NOS. 8-11)	1
8	099075001005	GEAR HEAD ASSEMBLY	1
9	099078001030	HEXAGON HEAD SCREW (M5 X 12 mm)	1
10	099078001031	LOCK WASHER	1
11	099078001032	CAP HEAD SCREW (M6 X 30 mm)	1
12	099068001016	BOOM ASSEMBLY (INCLUDES KEY NOS. 13-15)	1
13	099068001017	FLEXIBLE SHAFT	1
14	099068001018	DRIVE SHAFT HOUSING ASSEMBLY	1
15	099078001037	DUST PROOF COVER	1
16	099078001039	HANGER	1
17	099075001006	WARNING LABEL	1
18	099075001007	HANDLE BAR CLAMP	2
19	099075001008	BOLT ASSEMBLY (LONG)	1
20	099075001009	BOLT ASSEMBLY (SHORT)	1
21	099075001010	J-HANDLE AND GRIP	1
22	099075001011	STRAP HANGER	1
23	099075001012	SHOULDER STRAP ASSEMBLY	1
24	099078001040	HOLDING PIN	1
	983000605	OPERATOR'S MANUAL (099075001013)	1
	983000605 R	REPAIR SHEET (REV:00)	1
	01-21-05		