



## Curved-Shaft Trimmer

Model No. 51930—230000001 & Up

### Parts Catalog

---

#### Ordering Replacement Parts

To order replacement parts, please supply: the part number, the quantity, and the description of each part.

#### Understanding Reference Numbers

Each identified part in an illustration has a reference number. The reference number for a part also appears in the list, along with other information about the part.

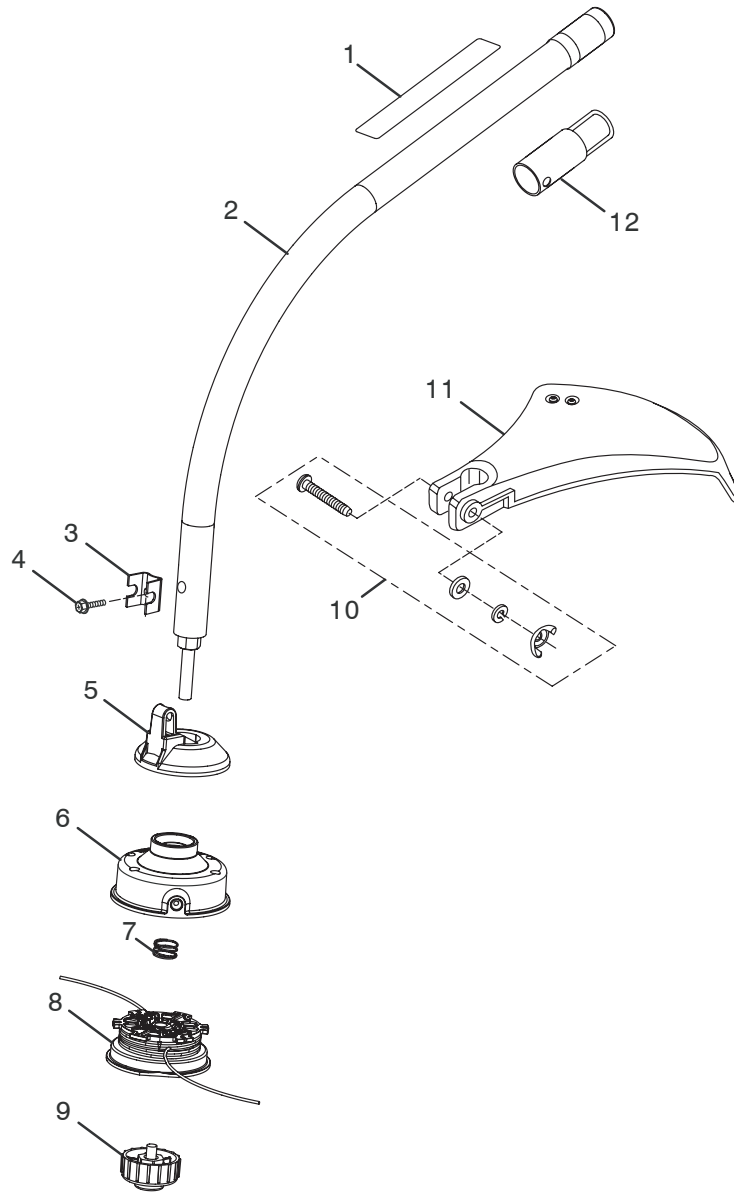
#### Understanding Figure Numbers

This catalog uses two special reference number formats, one to indicate parts in a service assembly and another to indicate a Figure Number.

Figure Numbers are represented as a Sub-Assembly which follow the exploded views.

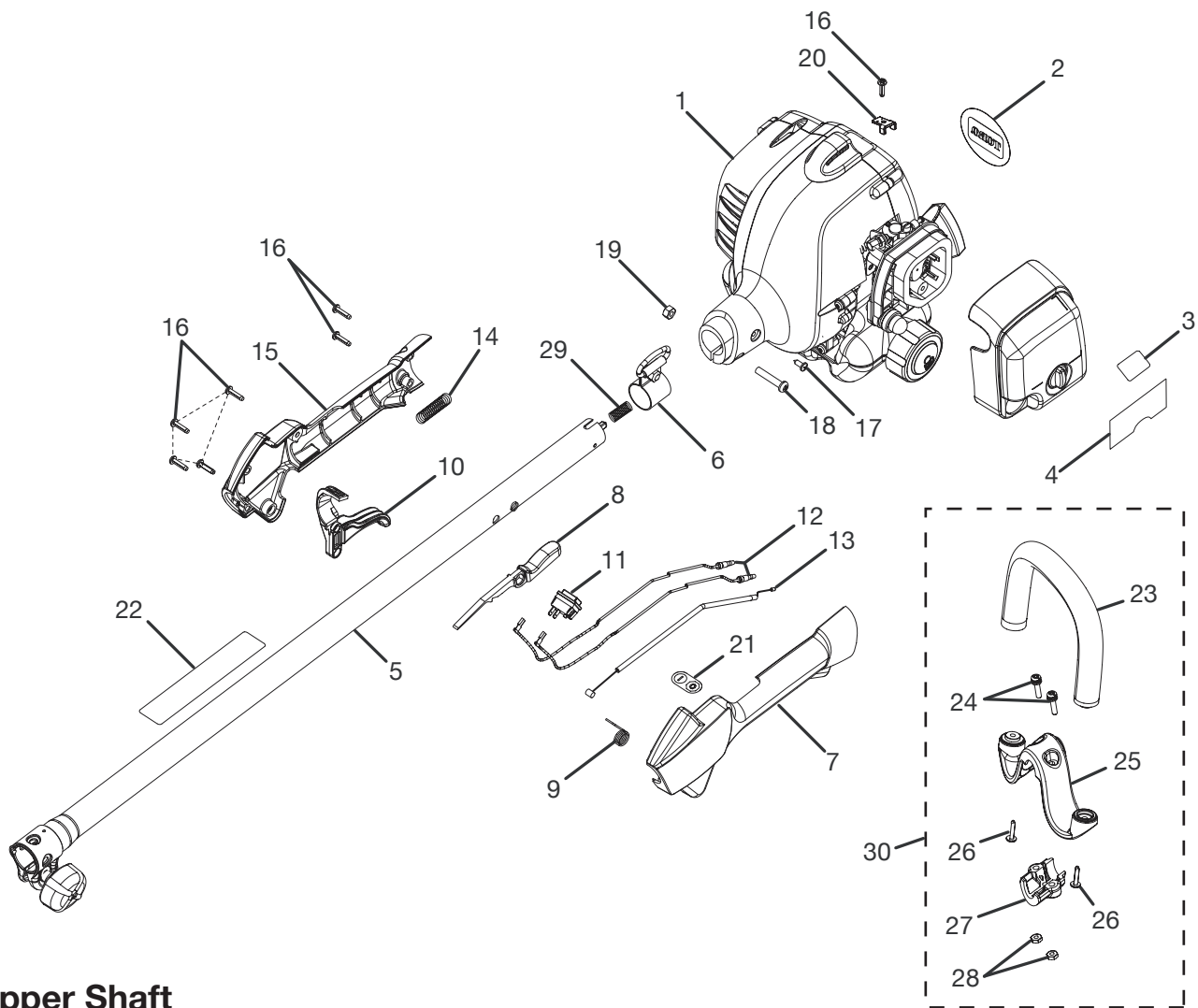
Sub-Assemblies can be ordered as an Assembly or you may order any part individually.

© The Toro Company - 2004  
All Rights Reserved



### Attachment Shaft

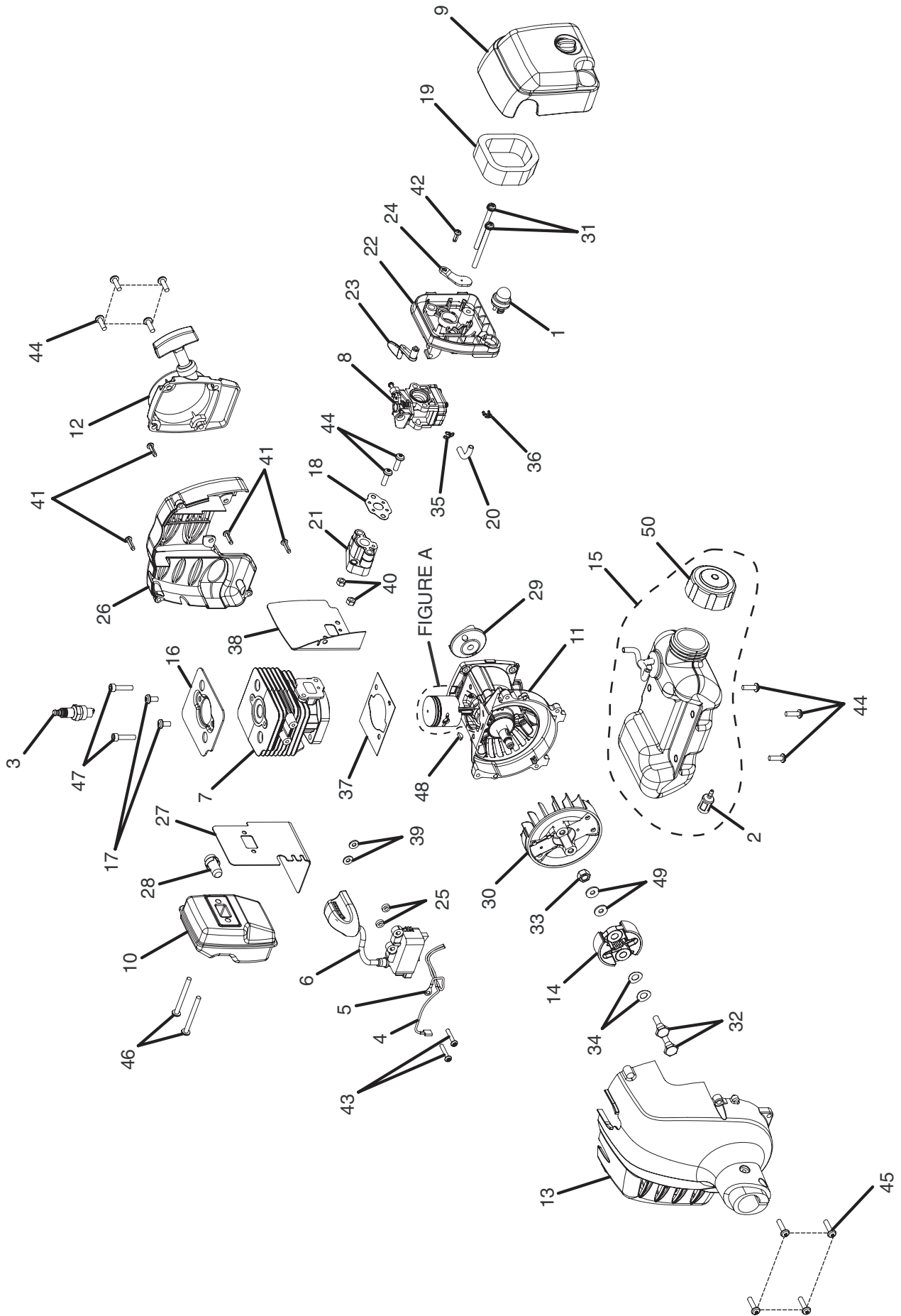
| Ref. No. | Part No.  | Qty. | Description   |
|----------|-----------|------|---|
| 1        | 984032001 | 1    | Warning Label                                       |
| 2        | 983657001 | 1    | Curved Shaft Assembly                               |
| 3        | 07928     | 1    | Clamp   |
| 4        | 983774139 | 1    | Screw(#10-24 x 3/8 in. Hex Washer Hd., Tri-lobular) |
| 5        | 04189     | 1    | Grass Barrier                                       |
| 6        | A98231A   | 1    | Trimmer Head  |
| 7        | 06713     | 1    | Compression Spring                                  |
| 8        | 984238001 | 1    | Spool with Line (.095)                              |
| 9        | A98866A   | 1    | Retaining Cap, Right-hand Threads                   |
| 10       | PA00249   | 1    | Parts Kit   |
| 11       | 985623001 | 1    | Grass Deflector Assembly                            |
| 12       | PS02155   | 1    | Storage Cap   |



### Upper Shaft

| Ref. No. | Part No.  | Qty. | Description             |
|----------|-----------|------|-------------------------|
| 1        | 0900103   | 1    | Engine Assembly         |
| 2        | 983646001 | 1    | Logo Label              |
| 3        | 983647001 | 1    | Upper Start Label       |
| 4        | 983648001 | 1    | Lower Start Label       |
| 5        | 985397001 | 1    | Upper Shaft Assembly    |
| 6        | 07255     | 1    | Hanger Bracket          |
| 7        | 983621001 | 1    | Rear Handle Support     |
| 8        | 983623001 | 1    | Lock-off Button         |
| 9        | 983624001 | 1    | Trigger Spring          |
| 10       | 983620001 | 1    | Trigger                 |
| 11       | 984236002 | 1    | Switch with Dust Shield |
| 12       | 983782001 | 2    | Lead                    |
| 13       | 983635001 | 1    | Cable, Throttle         |
| 14       | 983632003 | 1    | Corrugated Tube         |
| 15       | 983622001 | 1    | Rear Handle Cover       |

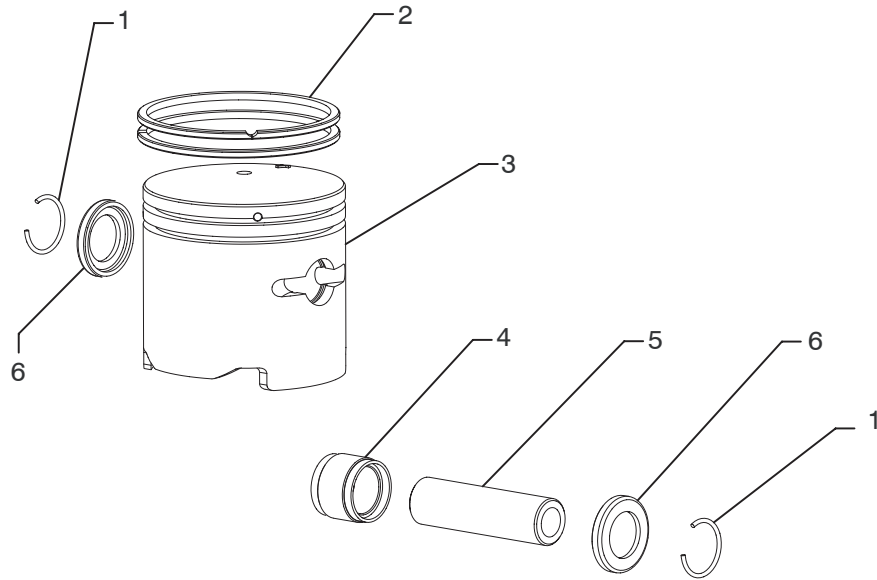
| Ref. No. | Part No.  | Qty. | Description                           |
|----------|-----------|------|---------------------------------------|
| 16       | 983638009 | 7    | Screw, (M4 x 1.75 x 16mm)             |
| 17       | 968702007 | 1    | Screw, (#8-16 x 1/2 in., Tri-lobular) |
| 18       | 983799023 | 1    | Screw, (M6 x 1 x 30mm)                |
| 19       | 983619015 | 1    | Hex Nut                               |
| 20       | 985255001 | 1    | Retaining Clip                        |
| 21       | 984240001 | 1    | On/Off Label                          |
| 22       | 984032001 | 1    | Warning Label                         |
| 23       | 984439001 | 1    | Assist Handle w/grip                  |
| 24       | PS04159   | 2    | 12-24 x 1 SEMS                        |
| 25       | PS04070   | 1    | M Clamp                               |
| 26       | 82620     | 2    | Slotted Torx Screw                    |
| 27       | PS04072   | 1    | Clamp                                 |
| 28       | 81068     | 2    | 12 - 24 Hex nut                       |
| 29       | 984106001 | 1    | Spring, Shaft                         |
| 30       | 983798001 | 1    | Assist Handle Assembly                |
|          | 983000115 | 1    | Operator's Manual                     |



## Engine Assembly

| Ref. No. | Part No.  | Qty. | Description   |
|----------|-----------|------|---|
| 1        | 3078001   | 1    | Primer Assembly   |
| 2        | PS03380   | 1    | Fuel Filter   |
| 3        | 8714402   | 1    | Spark Plug  |
| 4        | 2914301   | 1    | Lead Assembly, Black                                      |
| 5        | 2914302   | 1    | Lead Assembly, Red  |
| 6        | 2917801   | 1    | Coil, Boot, Assembly                                      |
| 7        | 6457003   | 1    | Cylinder  |
| 8        | 3074502   | 1    | Carburetor Assembly                                       |
| 9        | 3074701   | 1    | Cover Assembly  |
| 10       | 3074802   | 1    | Muffler Assembly  |
| 11       | 3074902   | 1    | Crankcase Assembly  |
| 12       | 3075301   | 1    | Starter Recoil Assembly                                   |
| 13       | 3075403   | 1    | Front Housing Assembly                                    |
| 14       | 3075601   | 1    | Clutch Assembly   |
| 15       | 3075702   | 1    | Fuel Tank Assembly  |
| 16       | 6300221   | 1    | Cylinder Plate  |
| 17       | 983660005 | 2    | Screw, (M5 x 0.8 x 10 in. Torx Recessed Pan HD., Machine) |
| 18       | 9071103   | 1    | Carburetor Gasket   |
| 19       | 5687301   | 1    | Element   |
| 20       | 5688002   | 1    | Tubing, Plastic Rubber                                    |
| 21       | 5994701   | 1    | Insulator, Heat Dam                                       |
| 22       | 5994501   | 1    | Carburetor Plate  |
| 23       | 5945801   | 1    | Choke Lever   |
| 24       | 5994601   | 1    | Choke Plate   |

| Ref. No. | Part No.  | Qty. | Description  |
|----------|-----------|------|--|
| 25       | 5946201   | 2    | Ignition Coil Spacer                                       |
| 26       | 5947001   | 1    | Engine Housing, Rear                                       |
| 27       | 6300206   | 1    | Muffler Gasket   |
| 28       | 6300210   | 1    | Spark Arrester   |
| 29       | 6300217   | 1    | Pulley   |
| 30       | 6457401   | 1    | Rotor, Permanent Magnet                                    |
| 31       | 6634601   | 2    | Screw (M5 x 0.8 x 60 mm, Slotted Recessed Pan HD. Machine) |
| 32       | 6635301   | 2    | Clutch Screw   |
| 33       | 6968901   | 1    | Rotor Nut  |
| 34       | 6969601   | 2    | Curved Washer  |
| 35       | 6969901   | 1    | Hose Clip  |
| 36       | 6970001   | 1    | Hose Clip  |
| 37       | 9070901   | 1    | Gasket   |
| 38       | 9071102   | 1    | Insulator Gasket   |
| 39       | 982719005 | 2    | Type A, Plain Washer (3/16 x 7/16 x 3/64, Steel Zink)      |
| 40       | 983619014 | 2    | Nut, (M5 x .8 mm) Black Oxide                              |
| 41       | 983638009 | 4    | Screw (M4 x 1.75 x 16 mm, Type TT, Slotted Recessed Pan)   |
| 42       | 983645005 | 1    | Screw (M4 x 1.75 x 12 mm, Type TT, Slotted Recessed Pan)   |
| 43       | 6634901   | 2    | Screw (M4 x 0.7 x 22 mm, Torx Recessed Pan HD. Machine)    |
| 44       | 6635101   | 9    | Screw (M5 x 0.8 x 16 mm, Torx Recessed Pan HD. Machine)    |
| 45       | 6634401   | 4    | Screw (M5 x 0.8 x 20 mm, Torx Recessed Pan HD. Machine)    |
| 46       | 983660057 | 2    | Screw (M5 x 0.8 x 50 mm, Torx Recessed Pan HD. Machine)    |
| 47       | 6634201   | 2    | Screw (M5 x 0.8 x 22 mm, Socket Head Cap, Black Oxide)     |
| 48       | 983784006 | 1    | Woodruff Key (10 mm x 3.7 mm x 3 mm)                       |
| 49       | 983788071 | 2    | Washer   |
| 50       | A09116    | 1    | Fuel Cap   |



**Figure A**

**Engine Sub-assembly**

| Ref. No. | Part No. | Qty. | Description                 |
|----------|----------|------|-----------------------------|
| 1        | 6969101  | 2    | Wrist Pin Clip Ring         |
| 2        | 6969001  | 2    | Piston Ring                 |
| 3        | 6457303  | 1    | Piston                      |
| 4        | 6968602  | 1    | Needle Bearing (ID 8 x 8.8) |
| 5        | 6222701  | 1    | Wrist Pin                   |
| 6        | 6968701  | 2    | Washer                      |

For Parts Call 606-678-9623 or 606-561-4983



**OWT Industries, Inc.**

P.O. Box 35  
Highway 8  
Pickens, SC 29671  
USA

983000-115G  
07-29-04

[www.mymowerparts.com](http://www.mymowerparts.com)