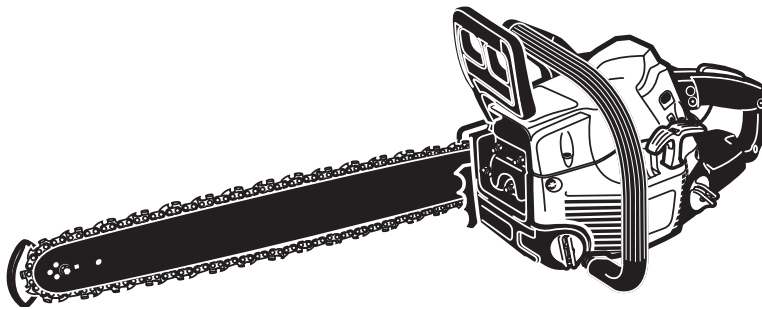


Homelite®

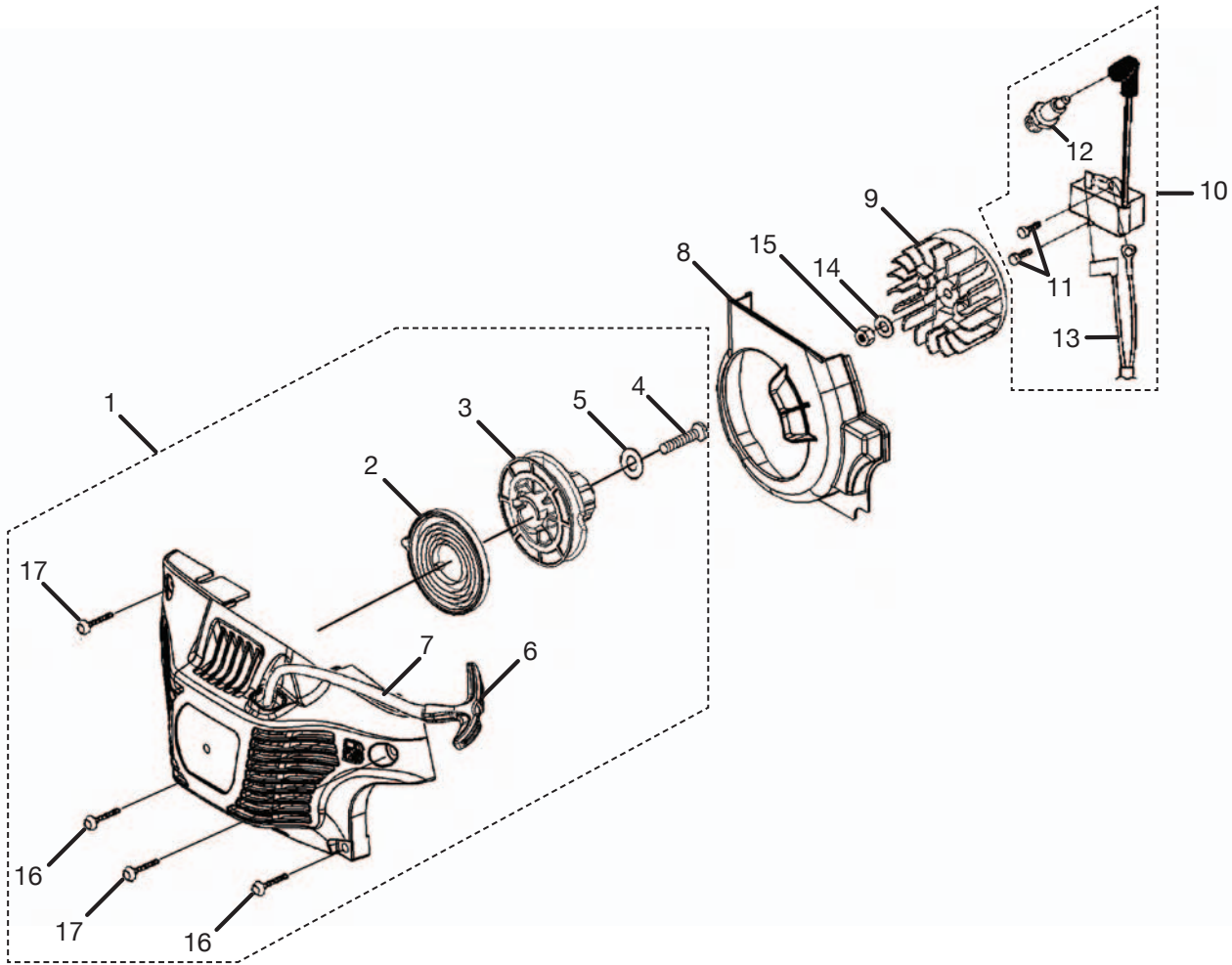
PARTS LIST



MODELS

38cc - 16 in.	UT10927D
45cc - 18 in.	UT10946D
45cc - 20 in.	UT10942D

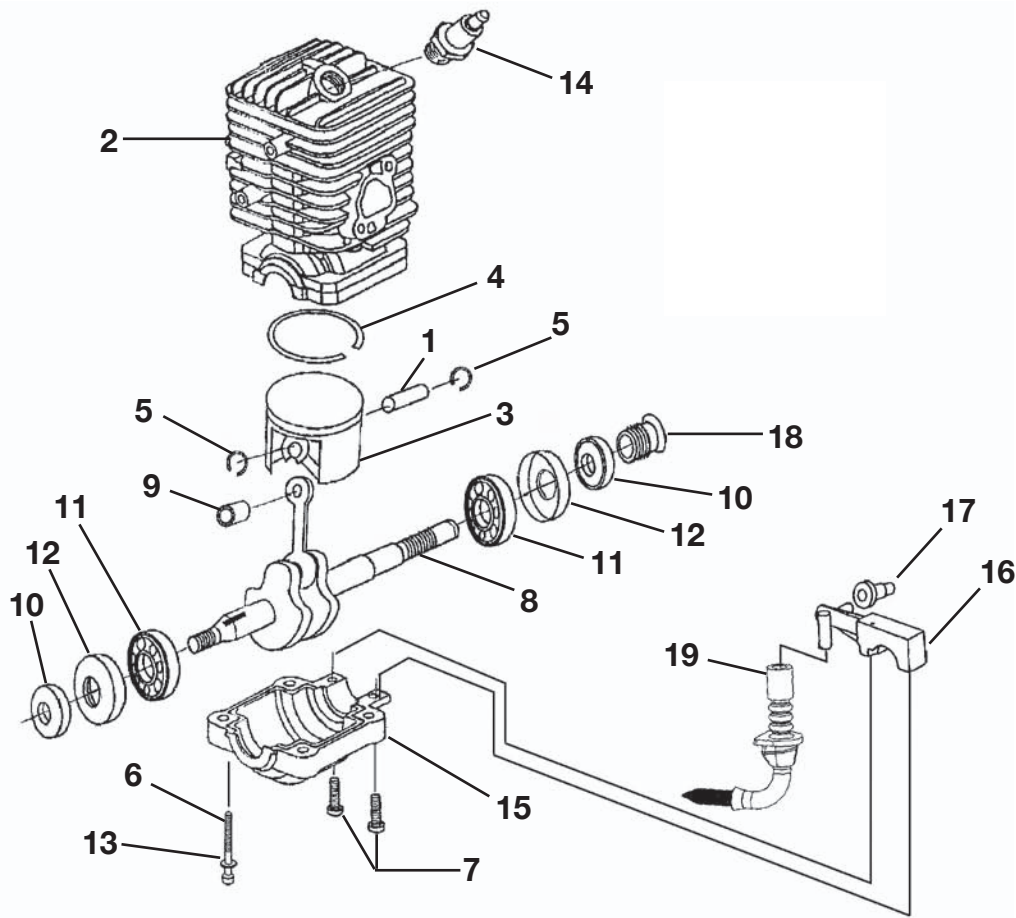
STARTER – IGNITION



NO.	PART NO.	DESCRIPTION	QTY.
1	984687001	STARTER COVER ASSY., W/EYELET	1
2	PA01330	SPRING & CONTAINER	1
3	PS03882	PULLEY, STARTER	1
4	82621	SCREW (10-14 x 5/8 in.)	1
5	94062	WASHER	1
6	PS06114	GRIP, STARTER	1
7	9789901	ROPE, STARTER (46 in.)	1
8	PS03984	BAFFLE	1
9	UP05850A	ROTOR W/STARTER PAWL	1
10	984883001	IGNITION KIT	1
11	82575	SCREW (8-32 x 5/8 in.)	2
12	PS06216	SPARK PLUG	1
13	PA01311	IGNITION SWITCH HARNESS	1
14	PS84065	WASHER	1
15	985730001	NUT	1
16	82620	SCREW (10-14 x 7/8 in.)	2
17	82621	SCREW (10-14 x 5/8 in.)	2

ITEM NO.	TORQUE SPECS. in./lbs. nm	REQUIRED LOCTITE
4	30-40	3.4-4.5
11	30-40	3.4-4.5
12	120-180	13.6-20.3
15	100-150	11.3-20.3
16	30-40	3.4-4.5
17	30-40	3.4-4.5

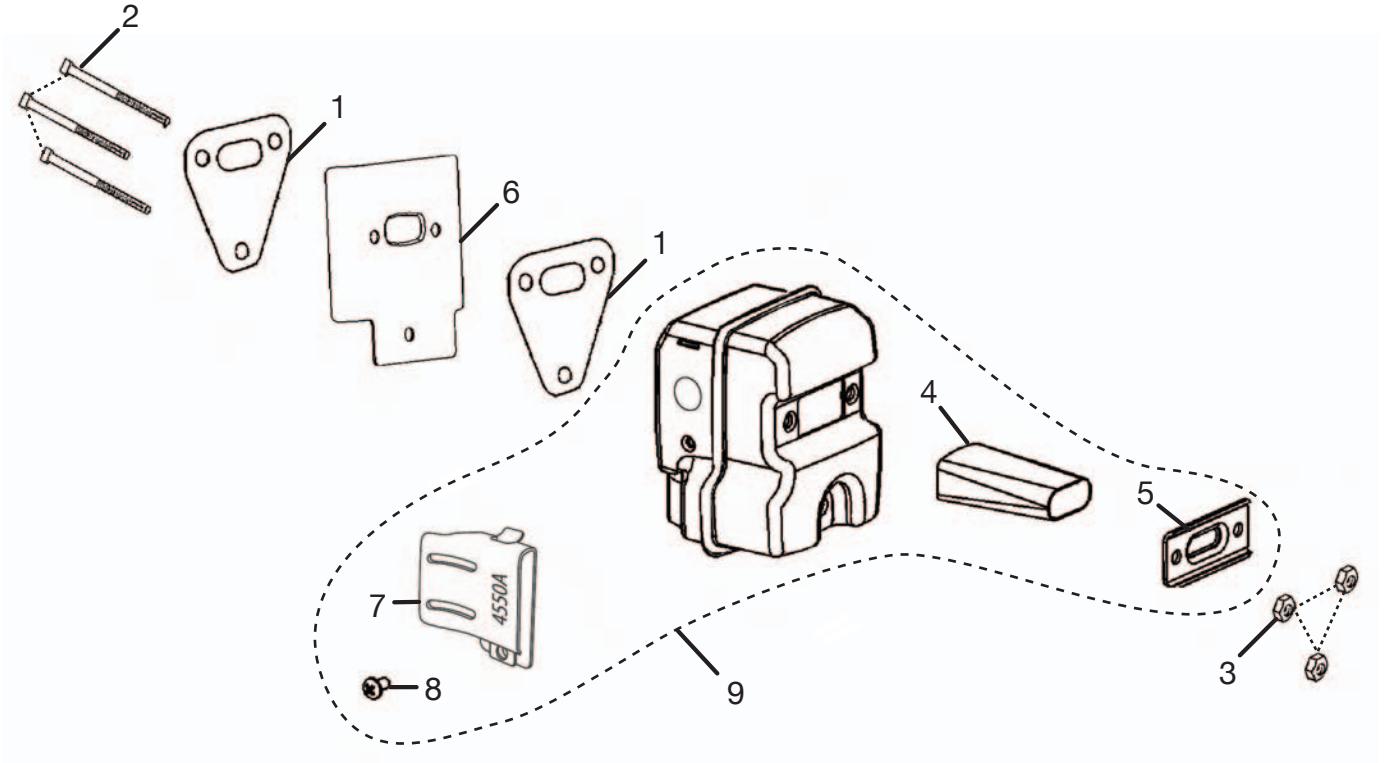
ENGINE INTERNAL - OIL PUMP



NO.	PART NO.	DESCRIPTION	QTY.
1	04923	PISTON PIN	1
2	PS04368	CYLINDER MACH/PLATED	1
3	A09135	45CC PISTON (MACH)	1
4	09082	PISTON RING	1
5	64813	RETAINING RING	2
6	82527	SCREW TORX PLUS CAP-SOCKET HD	4
7	PS04989	SCREW, (8/32 X 5/8 in. PAN HD TORX)	2
8	PA00980	45CC SINTERED METAL CRANKSHAFT ASSY.	1
9	PS04921	NEEDLE BEARING	1
10	04920	SHAFT SEAL	2
11	08838	BALL BEARING	2
12	04919	BEARING CASE	2
13	84008	FLAT WASHER	4
14	PS06216	SPARK PLUG	1
15	09097	CRANKCASE (45CC) CS	1
16	PA01396	OIL PUMP ASSEMBLY	1
17	06841	GROMMET, OIL OUTLET	1
18	06847	LEFT HAND WORM	1
19	PA01037	OIL INTAKE TUBE W/FILTER	1

ITEM NO.	TORQUE SPECS. in./lbs.	TORQUE SPECS. nm	REQUIRED LOCTITE
6	65-75	7.3-8.5	262 RED
7	15-20	1.7-2.3	
14	120-180	13.6-20.3	

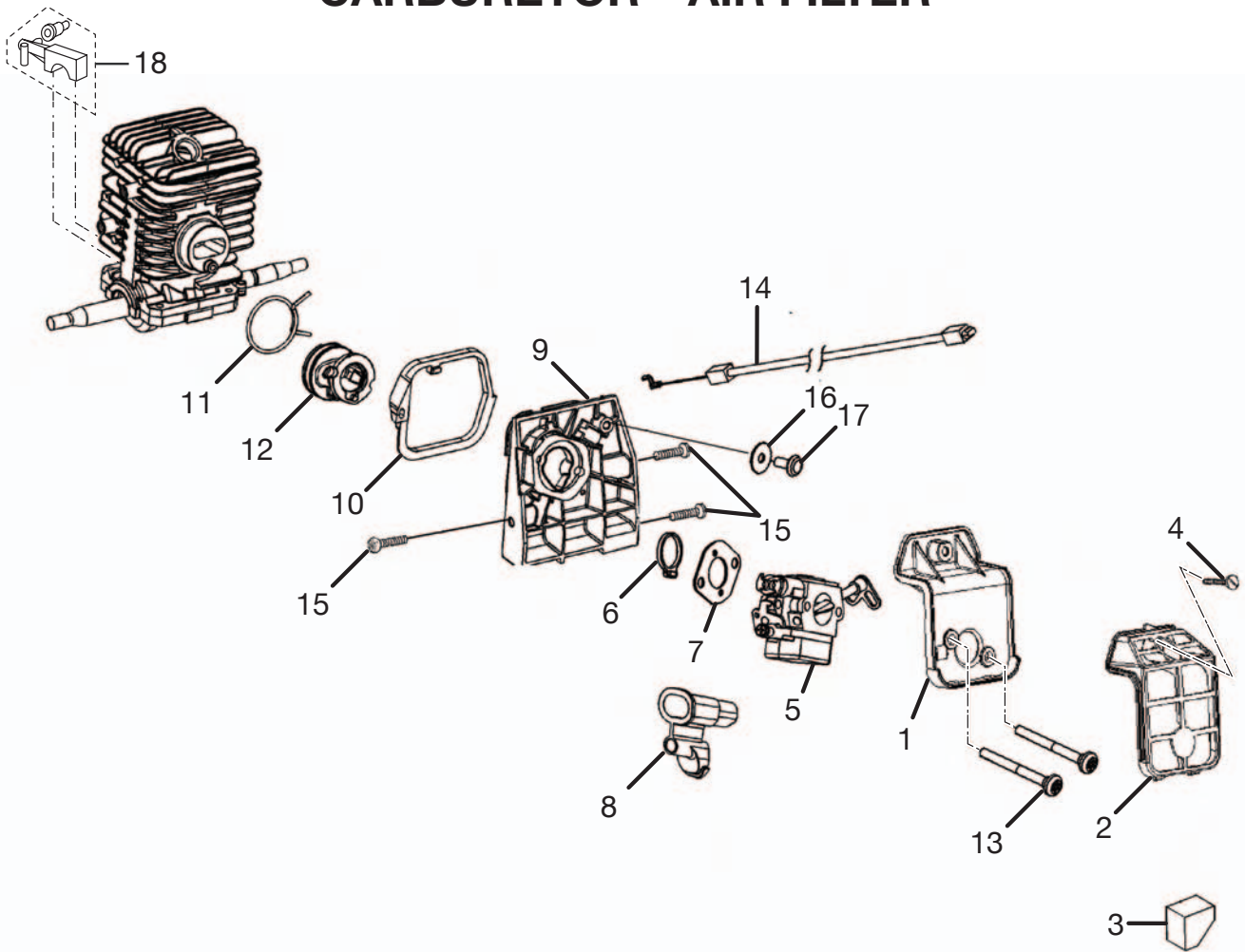
MUFFLER



NO.	PART NO.	DESCRIPTION	QTY.
1	900848001	MUFFLER GASKET	2
2	PS04525	SCREW-SQUARE HD.	3
3	81206	NUT-LOCKING HEX (10-32)	3
4	PS04350	SCREEN, SPARK	1
5	PS04147	SCREEN RETAINER	1
6	PS06121	MUFFLER PLATE	1
7	PS06075	DEFLECTOR, MUFFLER	1
8	95922	SCREW (8-32 x .312 PAN HD.)	1
9	PA01635	MUFFLER ASSEMBLY	1

ITEM NO.	TORQUE SPECS.		REQUIRED LOCTITE
	in./lbs.	nm	
3	50-60	5.6-6.7	

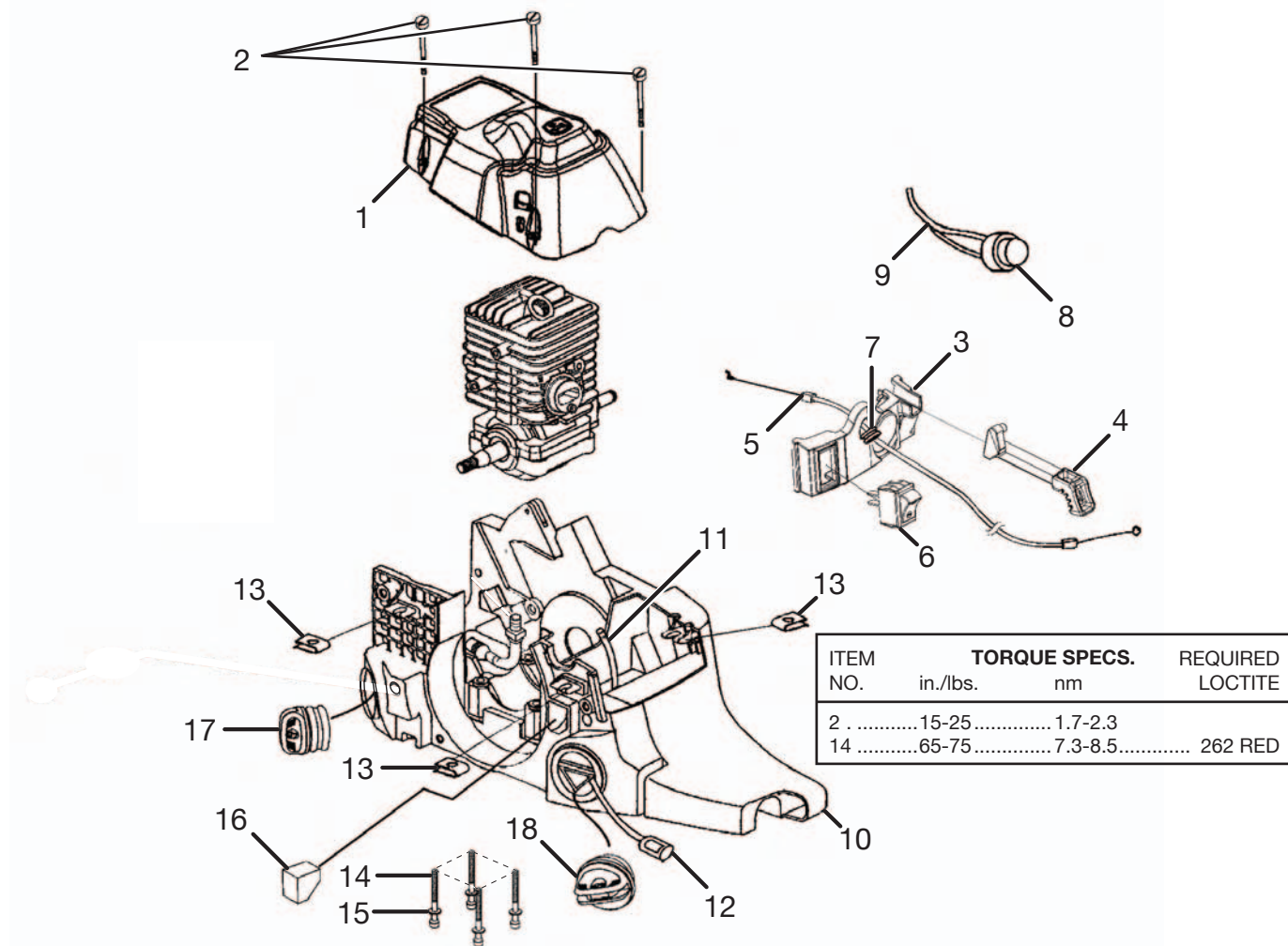
CARBURETOR – AIR FILTER



NO.	PART NO.	DESCRIPTION	QTY.
1	PA01284	AIR FILTER BASE	1
2	PS02798	AIR FILTER COVER	1
3	PS05070	PRE FILTER (IN ENGINE HOUSING)	1
4	82617	SCREW (8-16 x 5/8 in.)	1
5	985597001	CARBURETOR	1
6	PS04375	PLATE, CARBURETOR	1
7	PS05105	GASKET, CARBURETOR	1
8	PS04371	GROMMET, CARBURETOR	1
9	PA01057	ADAPTOR, CARBURETOR	1
10	PS04374	SEAL-CARB. ADAPTOR	1
11	PS04309	CLAMP	1
12	PS02794	INTAKE BOOT	1
13	PS04446	SCREW (10-32 x 1.75 mm)	2
14	PS04377	THROTTLE CABLE	1
15	82563	SCREW (TORX)	3
16	12789	WASHER	1
17	82623	SCREW	1
18	PA01396	OIL PUMP ASSEMBLY	1

ITEM NO.	TORQUE SPECS.		REQUIRED LOCTITE
	in./lbs.	nm	
4	50-60	5.6-6.7	
13	30-40	3.4-4.5	
15	15-20	1.7-2.3	
17	15-20	1.7-2.3	

ENGINE HOUSING – FUEL TANK – OIL TANK



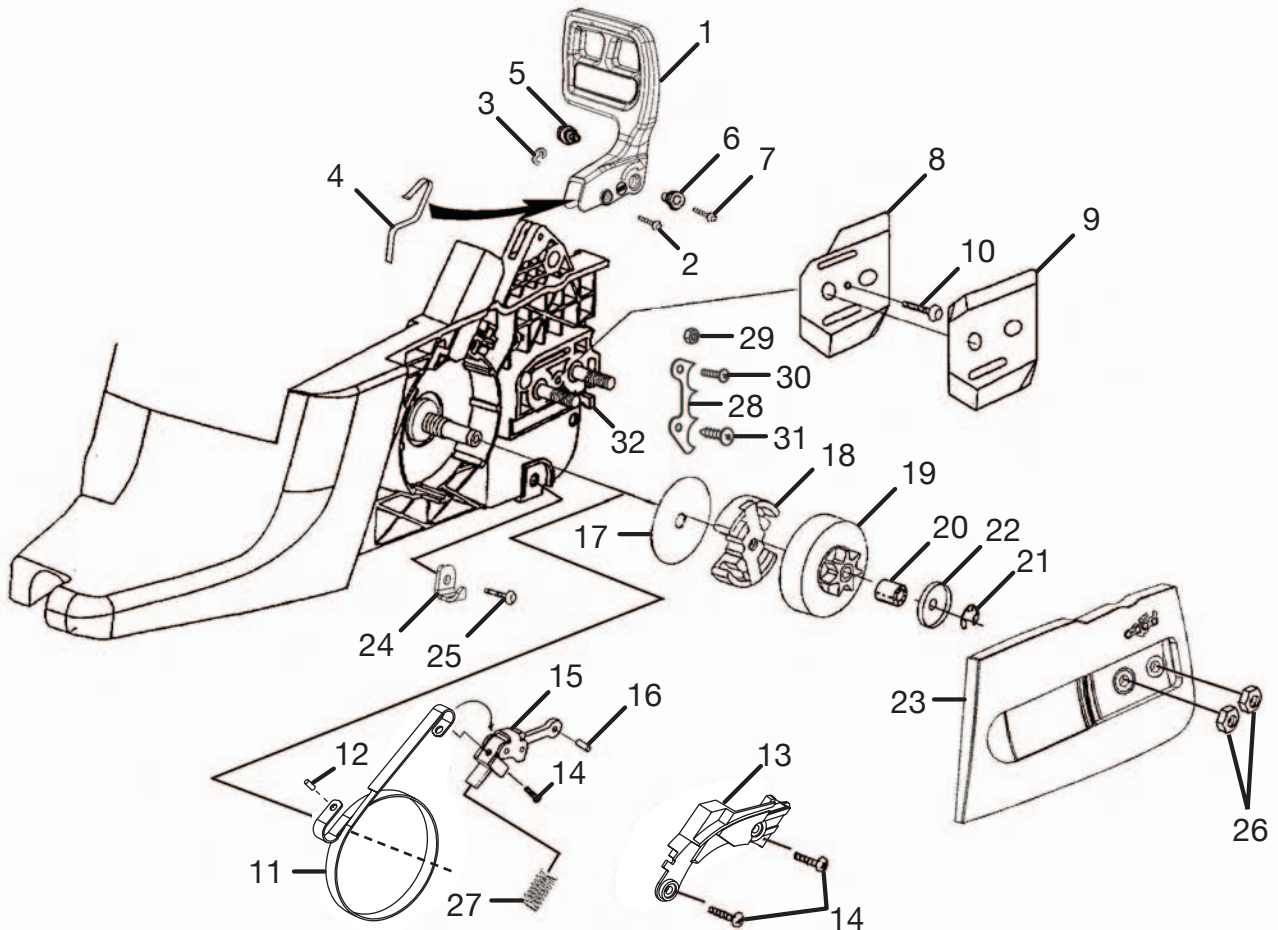
NO.	PART NO.	DESCRIPTION	QTY.
1	984363001	CYLINDER COVER	1
2	07597	SCREW (10-16 X 1.5 PAN HD.)	3
3	PS06119	CONTROL PANEL	1
4	PA01644	ROD, CHOKE	1
5	PS04377	THROTTLE CABLE	1
6	PS06163	SWITCH, ROCKER	1
7	07587	GROMMET - SPLIT	2
8	PS06164	PRIMER BULB	1
9	* 0745434	RUBBER TUBING (5-1/2 in.)	1
10	985028001	CHASSIS ASSEMBLY (45CC)	1
11	* 0745434	RUBBER TUBING (8-1/2 in.)	1
12	PS03380	FUEL FILTER	1

*** NOTE:**

Part No. 0745434 (Items 9 and 11) come standard 8 1/2 inches in Length. Item #9 should be cut to 5 1/2 in.

NO.	PART NO.	DESCRIPTION	QTY.
13	07598	SPEED NUT	3
14	82527	SCREW (10-24 x 2 in.)	4
15	84008	WASHER	4
16	PS05070	PRE FILTER	1
17	PA01646	OIL CAP	1
18	PA01645	FUEL CAP	1
[985219001	STARTING INSTRUCTION	1
[985220001	CHAIN BRAKE	1
[DECALS: 16 in. (38cc)	
[PS06327	KICKBACK	1
[PS06313	DRIVECASE COVER	1
[PS06312	STARTER HOUSING	1
[DECALS: 18 in. (45cc)	
[984602001	KICKBACK	1
[PS06079	DRIVECASE COVER	1
[PS04481	STARTER HOUSING	1
[DECALS: 20 in. (45cc)	
[PS06293	KICKBACK	1
[PS06079	DRIVECASE COVER	1
[PS04481	STARTER HOUSING	1

CLUTCH - CHAIN BRAKE - DRIVE CASE COVER

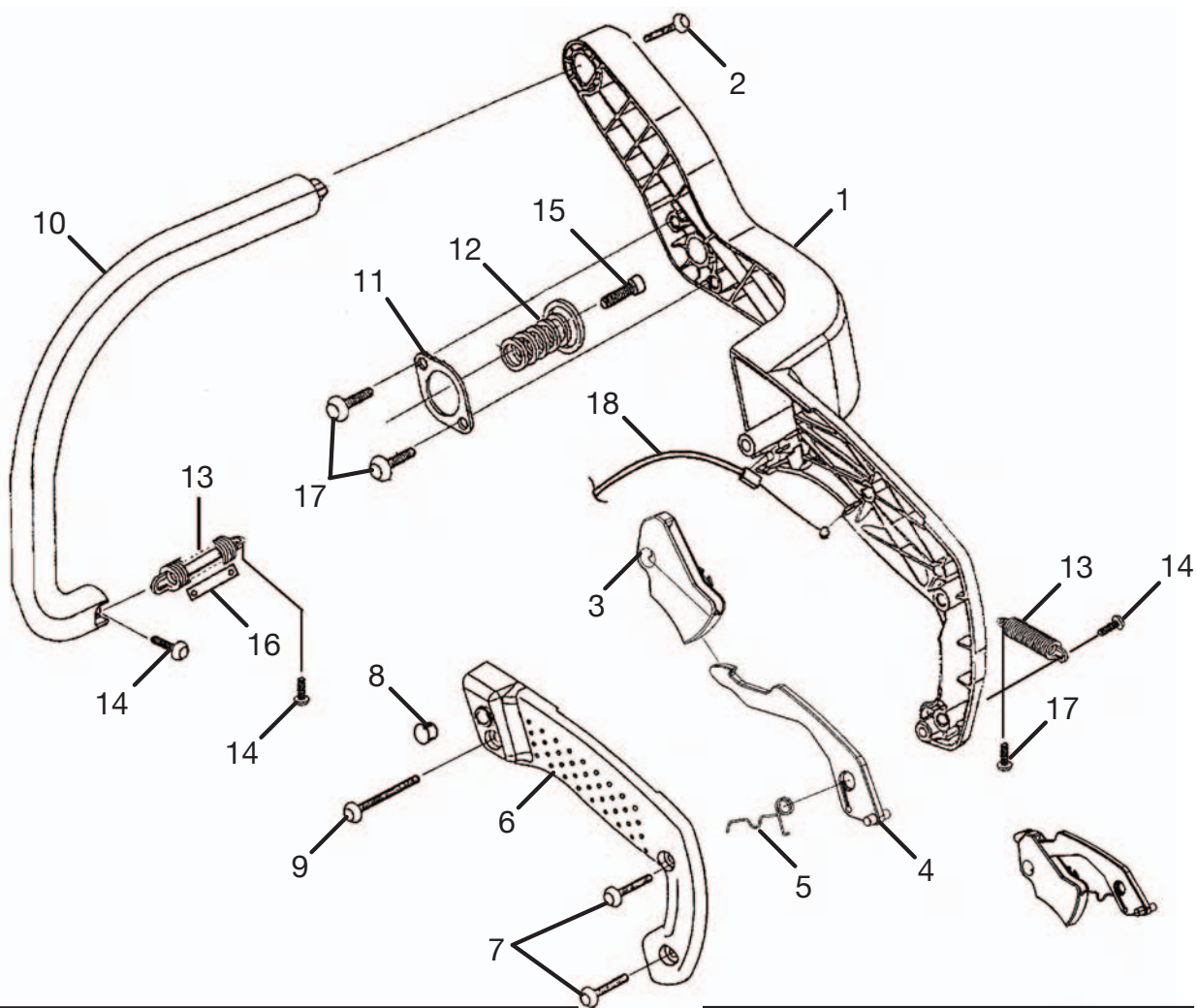


NO.	PART NO.	DESCRIPTION	QTY.
1	PS04726	HAND GUARD	1
2	07580	HAND GUARD ACTUATING PIN	1
3	69599	RETAINING RING	1
4	PS04955	SPRING, HANDGUARD	1
5	07393	PIVOT, LH	1
6	07392	PIVOT, RH	1
7	82624	SCREW (8-32 x 5/8 in.)	1
8	07404A	PLATE, GUIDE BAR	1
9	07405A	PLATE, GUIDE BAR	1
10	82513	SCREW (6-19 x 1/2 in.)	1
11	985030001	BRAKE BAND	1
12	06672	PIN, ROLL	1
13	985021001	BRAKE BAND COVER	1
14	82623	SCREW (8-16 x .320)	3
15	984897001	CHAIN BRAKE LINK	1
16	95395A	PIN, ROLL	1
17	04940	THRUST WASHER	1
18	984894001	CLUTCH & HARDWARE	1

NO.	PART NO.	DESCRIPTION	QTY.
19	984640001	SPROCKET DRUM (.325 PITCH)	1
20	PS04669	BEARING, NEEDLE	1
21	08981	RING, RETAINING	1
22	04939A	WASHER	1
23	PA01106	DRIVE CASE COVER	1
24	PS02928	CHAIN CATCHER	1
25	82541	SCREW (10-24 x 1/2 in.)	1
26	81196	NUT, HEX	2
27	985240001	SPRING, COMPRESSION	1
28	PS06077	BUMPER SPIKE	1
29	81208	LOCK NUT, HEX (10-24)	1
30	82311	SCREW	1
31	82632	SCREW, TRUSS HD.	1
32	984901001	ADJUSTING PIN KIT	1

ITEM NO.	TORQUE SPECS.		REQUIRED LOCTITE
	in./lbs.	nm	
7	25-35	2.8-3.9	242 BLUE
10	8-18	0.9-2.0	
14	20-30	2.3-3.4	
18	130-180	14.7-20.3	
25	30-50	3.4-5.6	
26	HAND TIGHT		

HANDLES



NO.	PART NO.	DESCRIPTION	QTY.
1	06870	REAR HANDLE	1
2	82615	SCREW (12-14 x 1-1/2 in.)	1
3	PS06110	TRIGGER, THROTTLE	1
4	PS06111	THROTTLE LOCK OUT	1
5	PS04914	TORSION SPRING	1
6	06871	HANDLE COVER	1
7	82563	SCREW (10-14 x 3/4 in.)	2
8	PS04932	PLUG-PLASTIC	1
9	82622	SCREW (10-14 x 1-3/8 in.)	1
10	PS03985	FRONT HANDLE	1
11	07384	ISOLATOR PLATE	1
12	PS05199	UPPER ISOLATION SPRING	1
13	PS05217	SPRING - ISOLATOR	1
	PS05239	SHEET INSTRUCTIONS	1
14	82621	SCREW (10-14 x 5/8 in.)	3
15	82597	SCREW (10-24 x 5/8 in.)	1
16	01812A	SPRING RETAINER	1
17	82541	SCREW (10-14 x 1/2 in.)	3
18	PS04377	THROTTLE CABLE	1

ITEM NO.	TORQUE SPECS.		REQUIRED LOCTITE
	in./lbs.	nm	
2	40-50	4.5-5.6	
7	30-40	3.4-4.5	
9	30-40	3.4-4.5	
14	30-40	3.4-4.5	
15	40-50	4.5-5.6	
17	30-40	3.4-4.5	

ACCESSORIES

.325 PITCH .05 GAUGE

LENGTH OF BAR	GUIDE BAR PART NUMBER	CHAIN PART NUMBER
16 in.....	PS06132	PS06136
18 in.....	PS06131	PS06135
20 in. TWIST TIGHT	PS06301	PS06134

SEALANT SILICON.....	PS24823	CARRYING CASE.....	UP08681A
RUBBER TUBING	0745434	BUMPER SPIKE KIT.....	984902001
WRENCH – COMBINATION	09207	ADJUSTING PIN KIT	984901001
WRENCH – COMBINATION (20 in. BAR)	A24824	OPERATOR'S MANUAL	983000-403
GREASE, MULTI-PURPOSE	18453		983000-404
			983000-405
			983000-411
			983000-844

HOMELITE CONSUMER PRODUCTS, INC.

1428 Pearman Dairy Road, Anderson, SC. 29625

Post Office Box 1207, Anderson, SC 29622

Phone 1-800-242-4672

www.homelite.com