



## Curved Shaft String Trimmer

Model No. 51950—250000001 & Up

### Parts Catalog

---

#### Ordering Replacement Parts

To order replacement parts, please supply: the part number, the quantity, and the description of each part.

#### Understanding Reference Numbers

Each identified part in an illustration has a reference number. The reference number for a part also appears in the list, along with other information about the part.

#### Understanding Figure Numbers

This catalog uses two special reference number formats, one to indicate parts in a service assembly and another to indicate a Figure Number.

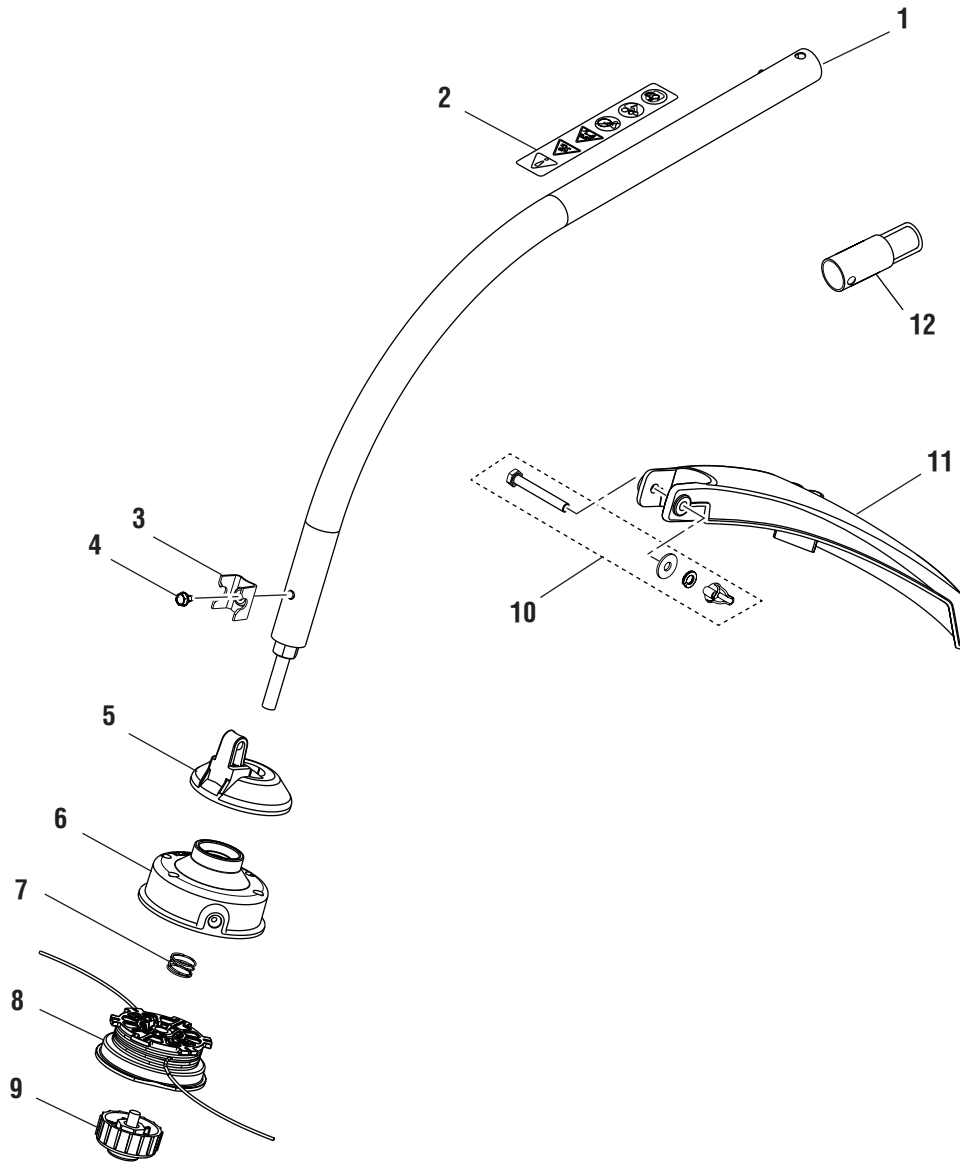
Figure Numbers are represented as a Sub-Assembly which follow the exploded views.

Sub-Assemblies can be ordered as an Assembly or you may order any part individually.

© The Toro Company - 2004  
All Rights Reserved

**TORO STRING TRIMMER – MODEL NUMBER 51950**

**FIGURE A**

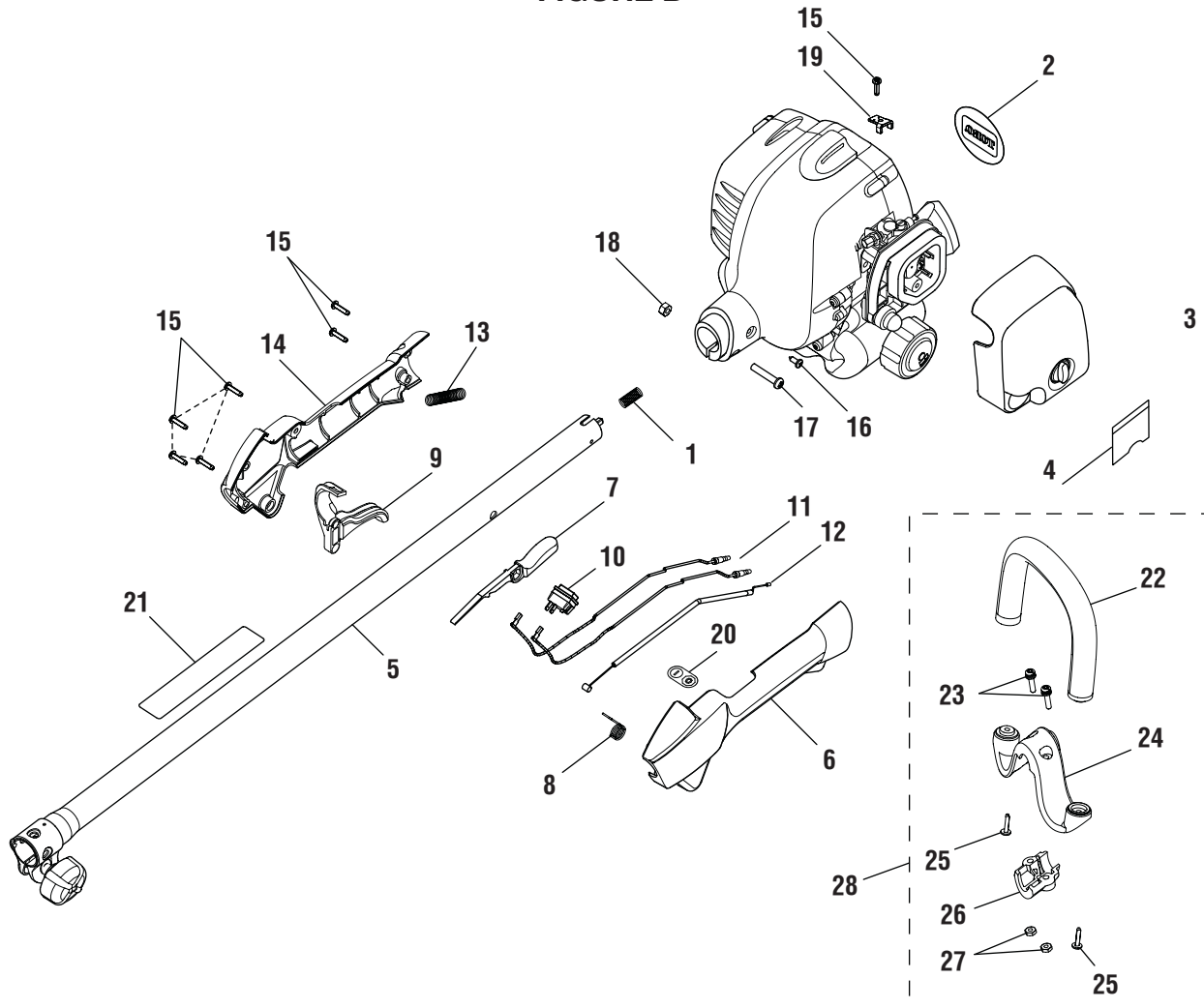


KEY PART NO. NUMBER	DESCRIPTION	QTY.
1 985569001	CURVED SHAFT ASSEMBLY .....	1
2 984032001	WARNING LABEL.....	1
3 07928	CLAMP .....	1
4 983774139	SCREW (#10-24 X 3/8 in. HEX WASHER HEAD) .....	1
5 04189	GRASS SHIELD.....	1
6 A98231A	TRIMMER HEAD.....	1
7 06713	COMPRESSION SPRING.....	1
8 984238001	SPOOL WITH LINE (.095).....	1
9 A98866A	RETAINING CAP, LEFT-HANDED THREAD .....	1
10 PA00249	FASTENER PARTS KIT .....	1
11 985623001	GRASS DEFLECTOR ASSEMBLY .....	1
12 PS02155	HANGER CAP .....	1

To locate a source for replacement parts,  
contact us toll free at 1-866-574-9242 (US) or 1-866-574-9243 (Canada).

**TORO STRING TRIMMER – MODEL NUMBER 51950**

**FIGURE B**

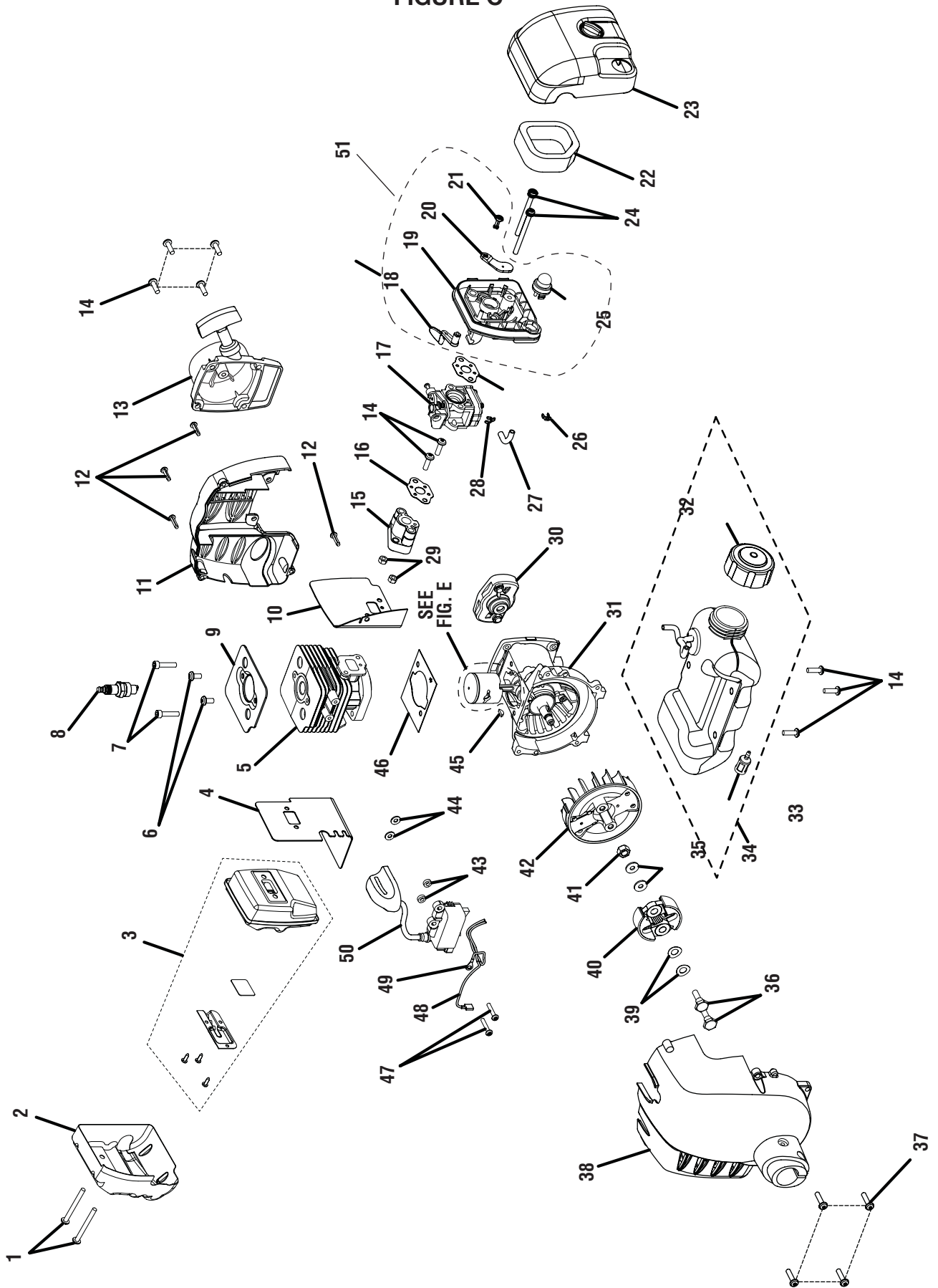


KEY PART NO. NUMBER	DESCRIPTION	QTY.	KEY PART NO. NUMBER	DESCRIPTION	QTY.
1 984106001	COMPRESSION SPRING.....	1	16 82541	SCREW (#10-14 X 1/2 in. TRI-LOBULAR).....	1
2 983646001	LOGO PLATE.....	1	17 983799023	SCREW (M6 X 1-30 mm).....	1
3 983647001	UPPER START LABEL.....	1	18 983619015	HEX NUT .....	1
4 983648001	LOWER START LABEL.....	1	19 985255001	THROTTLE CABLE CLAMP .....	1
5 985568001	UPPER SHAFT ASSEMBLY .....	1	20 984240001	ON/OFF LABEL.....	1
6 983621001	REAR HANDLE SUPPORT.....	1	21 984032001	WARNING LABEL .....	1
7 983623001	LOCK-OFF BUTTON.....	1	22 984439001	ASSIST HANDLE W/GRIP.....	1
8 983624001	TRIGGER SPRING .....	1	23 PS04159	SCREW (#12-24 X 1 in. SEMS) ..	2
9 983620001	TRIGGER.....	1	24 PS04070	M CLAMP.....	1
10 984236002	SWITCH WITH DUST SHIELD ..	1	25 82620	SLOTTED TORX SCREW .....	2
11 983782001	LEAD .....	2	26 PS04072	CLAMP.....	1
12 983635001	CABLE, THROTTLE.....	1	27 81068	HEX NUT (12-24).....	2
13 983632003	CORRUGATED TUBE.....	1	28 983798001	ASSIST HANDLE ASSEMBLY ...	1
14 983622001	REAR HANDLE COVER .....	1	983000661	OPERATOR'S MANUAL	
15 6656301	SCREW (M4 X 16 mm) .....	7	983000661R	REPAIR SHEET	

To locate a source for replacement parts, contact us toll free at 1-866-574-9242 (US) or 1-866-574-9243 (Canada).

TORO STRING TRIMMER - MODEL NUMBER 51950

FIGURE C



**TORO STRING TRIMMER – MODEL NUMBER 51950**

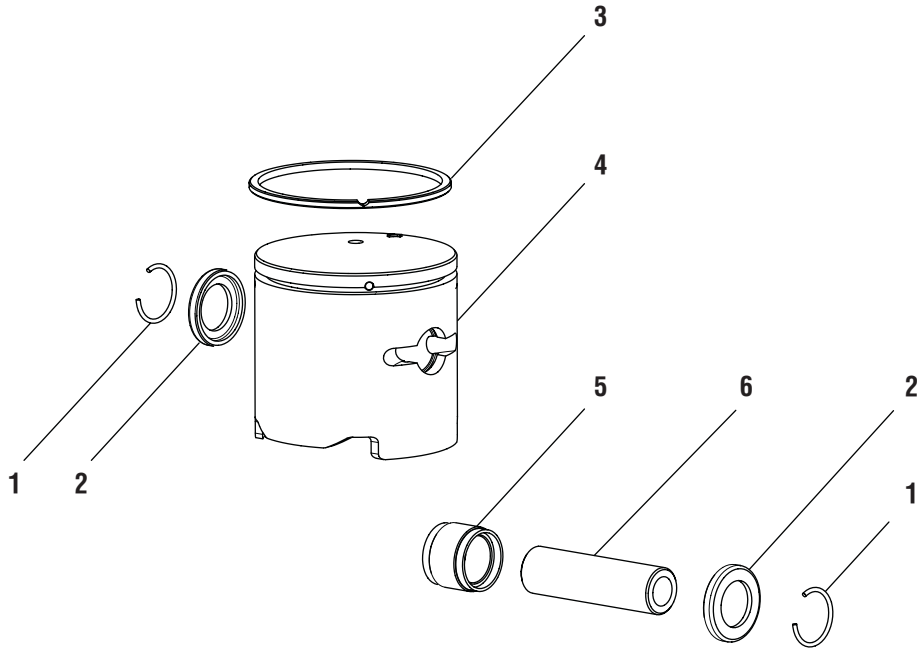
**FIGURE C - PARTS LIST**

<b>KEY PART NO. NUMBER</b>	<b>DESCRIPTION</b>	<b>QTY.</b>	<b>KEY PART NO. NUMBER</b>	<b>DESCRIPTION</b>	<b>QTY.</b>		
1	983660057	SCREW (M5 X 50 mm TORX SLOTTED RECESSED PAN HD.) ...	2	26	6970001	HOSE CLIP .....	1
2	985091001	HEAT SHIELD.....	1	27	5688002	FUEL LINE.....	1
3	300748015	MUFFLER ASSEMBLY .....	1	28	6969901	HOSE CLIP .....	1
4	6300206	MUFFLER GASKET.....	1	29	983619014	NUT (M5 x .8 mm).....	2
5	640570016	CYLINDER .....	1	30	4300401	PULLEY ASSEMBLY .....	1
6	983660005	SCREW (M5 X 10 in. TORX RECESSED PAN HD.) .....	2	31	300749003	CRANKCASE ASSEMBLY.....	1
7	6634201	SCREW (M5 X 22 mm SOCKET HD.).....	2	32	A09116	FUEL CAP ASSEMBLY .....	1
8	8714402	SPARK PLUG.....	1	33	PS03380	FUEL FILTER.....	1
9	6300221	CYLINDER PLATE.....	1	34	3075702	FUEL TANK ASSEMBLY (INCLUDES KEY NOS. 32 & 33).....	1
10	9071102	INSULATOR GASKET .....	1	35	983788071	WASHER.....	2
11	5947001	ENGINE HOUSING, REAR.....	1	36	6635301	CLUTCH SCREW.....	2
12	6656301	SCREW (M4 X 16 mm TORX RECESSED PAN HD.).....	4	37	6634401	SCREW (M5 X 20 mm TORX SLOTTED RECESSED PAN HD.) ...	4
13	3075304	STARTER RECOIL ASSEMBLY .....	1	38	3075403	FRONT HOUSING ASSEMBLY .....	1
14	6635101	SCREW (M5 X 16 mm Torx SLOTTED RECESSED PAN HD.) ...	9	39	6969601	CURVED WASHER .....	2
15	5994701	HEAT DAM INSULATOR .....	1	40	3075601	CLUTCH ASSEMBLY .....	1
16	9071103	CARBURETOR GASKET.....	1	41	6968901	ROTOR NUT .....	1
17	985473001	CARBURETOR ASSEMBLY .....	1	42	6457401	ROTOR.....	1
18	5945801	CHOKE LEVER.....	1	43	5946201	IGNITION COIL SPACER .....	2
19	5994501	CARBURETOR PLATE .....	1	44	982719005	WASHER (3/16 x 3/64).....	2
20	5994601	CHOKE PLATE .....	1	45	983784006	WOODRUFF KEY (10 mm X 3 mm).....	1
21	983645005	SCREW (M4 X 12 mm SLOTTED RECESSED PAN HD.) .....	1	46	9070901	GASKET .....	1
22	5687301	ELEMENT.....	1	47	6634901	SCREW (M4 X 22 mm TORX SLOTTED RECESSED PAN HD.) ...	2
23	3074701	COVER ASSEMBLY .....	1	48	2914301	LEAD ASSEMBLY, BLACK.....	1
24	6634601	SCREW (M5 X 60 mm, SLOTTED RECESSED PAN HD. MACHINE)...	2	49	2914302	LEAD ASSEMBLY, RED.....	1
25	3078001	PRIMER ASSEMBLY.....	1	50	2917802	COIL BOOT ASSEMBLY (INCLUDES KEY NOS. 48 & 49).....	1
				51	3074602	FILTER HOUSING ASSEMBLY .....	1

To locate a source for replacement parts,  
contact us toll free at 1-866-574-9242 (US) or 1-866-574-9243 (Canada).

TORO STRING TRIMMER - MODEL NUMBER 51950

FIGURE D



KEY NO.	PART NUMBER	DESCRIPTION	QTY.
1	6969101	WRIST PIN CLIP RING .....	2
2	6968701	WASHER .....	2
3	690161002	PISTON RING.....	1
4	640920002	PISTON.....	1
5	6968602	NEEDLE BEARING (ID 8 X 8.8).....	1
6	6222701	WRIST PIN.....	1

To locate a source for replacement parts,  
 contact us toll free at 1-866-574-9242 (US) or 1-866-574-9243 (Canada).

For Parts Call 606-678-9623 or 606-561-4983



**OWT Industries, Inc.**

P.O. Box 35  
Highway 8  
Pickens, SC 29671  
USA

**Customer Service Information**

If your product requires service or maintenance,  
contact your nearest authorized service dealer.

To locate your nearest authorized service dealer for this product,  
contact us toll free at 1-866-574-9242 (US) or 1-866-574-9243 (Canada).

983000-661  
01-10-06  
(REV:01)

[www.mymowerparts.com](http://www.mymowerparts.com)